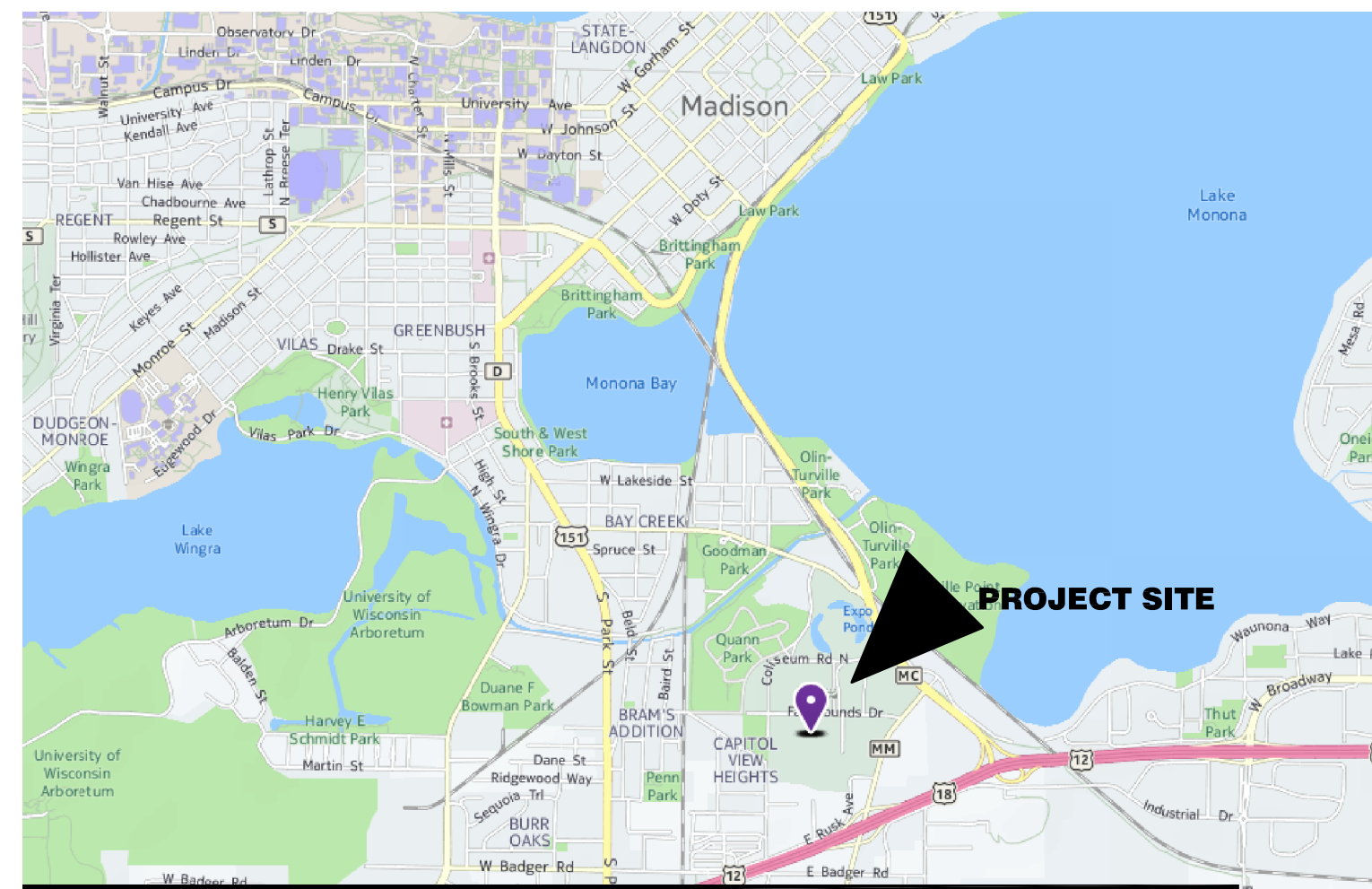


COLISEUM RESTROOM UPGRADES ALLIANT ENERGY CENTER WAY 1919 ALLIANT ENERGY CENTER WAY MADISON, WISCONSIN



MADISON, WISCONSIN

ABBREVIATIONS

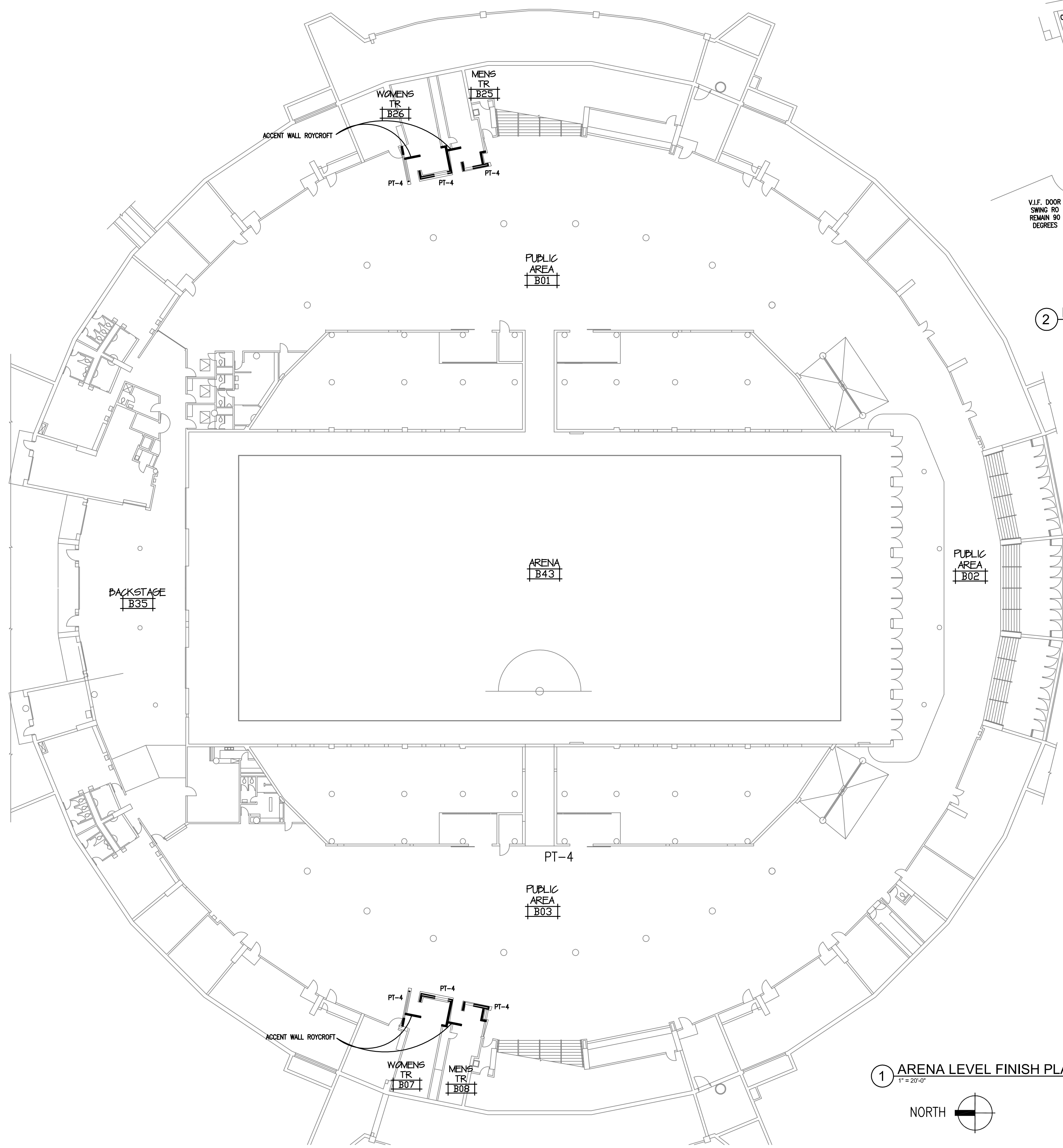
ADA	AMERICANS WITH DISABILITIES ACT
A.F.F.	ABOVE FINISHED FLOOR
AL	ALUMINUM
AP	ACCESS PANEL
CG	CORNER GUARD
CJ	CONTROL JOINT
CMU	CONCRETE MASONRY UNIT
CONC	CONCRETE
CPT	CARPET
CT	CERAMIC TILE
CUH	CABINET UNIT HEATER
EJ	EXPANSION JOINT
EWC	ELECTRIC WATER COOLER
FD	FLOOR DRAIN
FO	FOUNDATION DRAIN SYSTEM FLUSHOUT
FRT	FIRE TREATED
FX-#	FIRE EXTINGUISHER AND TYPE
GWB	GYPSON WALL BOARD
HM	HOLLOW METAL
MB	MARKER BOARD
TB	TACK BOARD
BB	BULLETIN BOARD
M.O.	MASONRY OPENING
N.I.C.	NOT IN CONTRACT
O.F.C.I.	OWNER FURNISHED CONTRACTOR INSTALLED
O.F.O.I.	OWNER FURNISHED OWNER INSTALLED
OPP	OPPOSITE
P.LAM.	PLASTIC LAMINATE
REV	REVERSE
R.O.	ROUGH OPENING
S.S.	STAINLESS STEEL
TZO	TERRAZZO
U.N.O.	UNLESS NOTED OTHERWISE
VCT	VINYL COMPOSITION TILE
WD	WOOD
WP	WATER PROOFING
WPT	WORK POINT

INDEX OF DRAWINGS

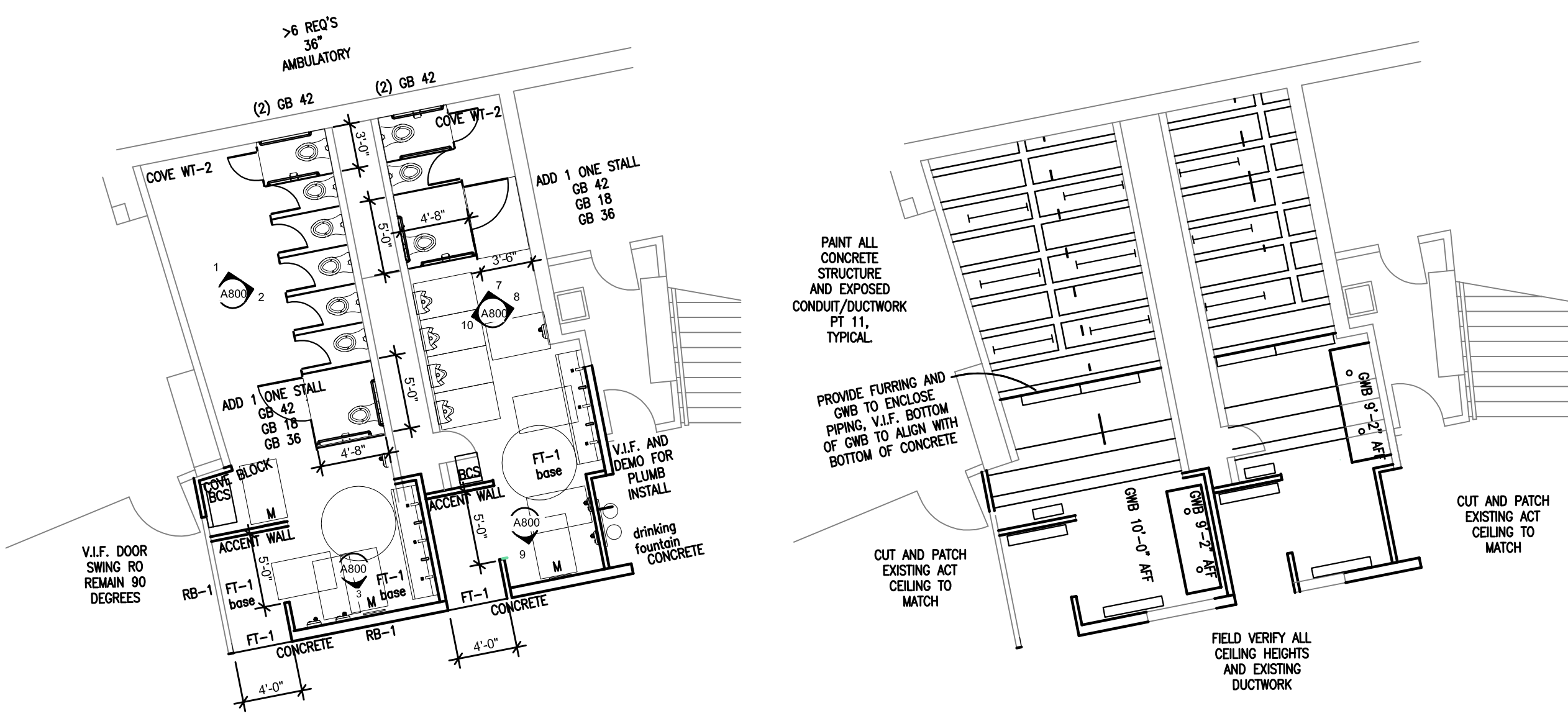
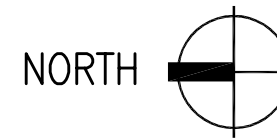
GENERAL	
G100	COVER SHEET AND INDEX OF DRAWINGS
ARCHITECTURAL	
A201	ARENA LEVEL PLAN
A202	MAIN CONCOURSE PLAN
A203	SECOND LEVEL CONCOURSE PLAN
A204	SECOND LEVEL CONCOURSE PLAN
A700	PARTITION TYPES, DETAILS
A800	INTERIOR ELEVATIONS
PLUMBING	
P000	Symbols, Abbreviations, Schedules, and Details - Plumbing
P001	Area Plan - Plumbing
P101-1	Arena Level Underfloor Plan - Plumbing
P201-1	Arena Level Plan - Plumbing
P202-1	Main Concourse Level Plan - Plumbing
P203-1	Second Level Concourse Plan - Plumbing
P203-2	Second Level Concourse Plan - Plumbing
P203-3	Second Level Concourse Plan - Plumbing
P204-4	Second Level Concourse Plan - Plumbing
P300	Isometrics - Plumbing
P301	Isometrics - Plumbing
P302	Isometrics - Plumbing
P303	Isometrics - Plumbing
P304	Isometrics - Plumbing
P305	Isometrics - Plumbing
HVAC	
M000	Symbols, Abbreviations, and Schedules - HVAC
M001	Area Plan - HVAC
M201-1	First Level Concourse Plan - HVAC
M201-2	First Level Concourse Plan - HVAC
M202-1	Second Level Concourse Plan - HVAC
M202-2	Second Level Concourse Plan - HVAC
M203-1	Third Level Concourse Plan - HVAC
M203-2	Third Level Concourse Plan - HVAC
M203-3	Third Level Concourse Plan - HVAC
M203-4	Third Level Concourse Plan - HVAC
M203-5	Third Level Concourse Plan - HVAC
M203-6	Third Level Concourse Plan - HVAC
M203-7	Third Level Concourse Plan - HVAC
M203-8	Third Level Concourse Plan - HVAC
M203-9	Third Level Concourse Plan - HVAC
ELECTRICAL	
E001	SYMBOLS AND ABBREVIATIONS
E100	ARENA LEVEL PLAN
E101	MAIN LEVEL CONCOURSE PLAN
E102	SECOND LEVEL CONCOURSE PLAN
E103	SECOND LEVEL CONCOURSE PLAN

ARCHITECTURAL SYMBOLS AND LEGEND

X/XXX	DETAIL REFERENCE
X/XXX	SHEET REFERENCE
X/XXX	DETAIL NUMBER
X/XXX	WALL SECTION REFERENCE
X/XXX	SHEET REFERENCE
X/XXX	DETAIL NUMBER
X/XXX	WALL SECTION REFERENCE
X/XXX	SHEET REFERENCE
X/XXX	DETAIL NUMBER
X/XXX	ELEVATION REFERENCE
X/XXX	PARTITION TYPE REF. SEE SHEET A700
X/XXX	NEW WALLS
X/XXX	WINDOW TYPES SEE A700
X/XXX	1 HOUR FIRE RATED WALL
X/XXX	2 HOUR FIRE RATED WALL
X/XXX	DOOR SWING w/NUMBER. SEE A700
X/XXX	EXISTING DOOR SWING w/NUMBER. SEE A700
X/XXX	REVISIONS
FX-1	RECESSED FIRE EXTINGUISHER
FX-2	SURFACE MOUNT FIRE EXTINGUISHER
x70-1	SPOT ELEVATION (FEET-INCHES)
x70.83	SPOT ELEVATION (FEET.DECIMAL)
OFFICE 012	ROOM NAME & NUMBER SEE FLOOR PLANS

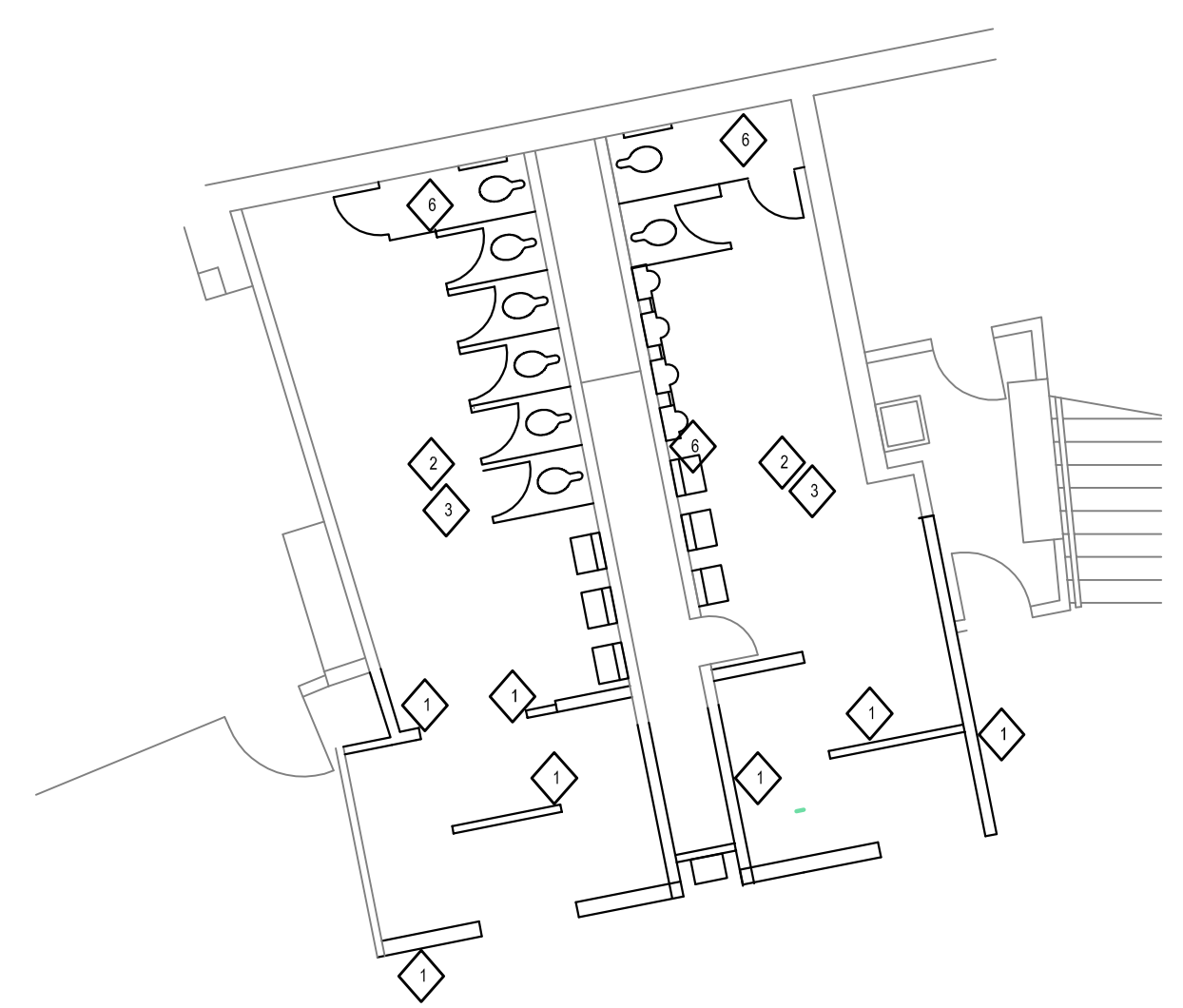


1 ARENA LEVEL FINISH PLAN
1" = 20'-0"



2 FLOOR PLAN ROOM B08/B07 - B25/B26 SIM OPP HAND
1/8" = 1'-0"

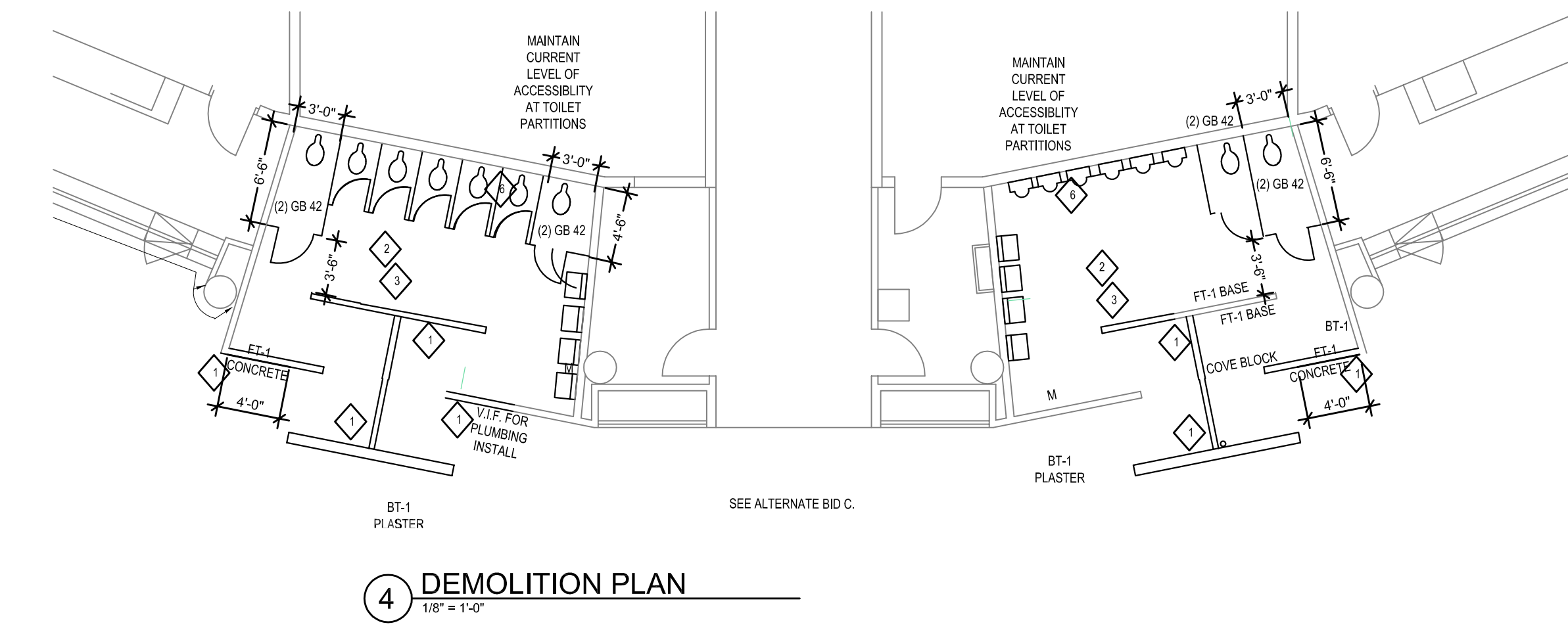
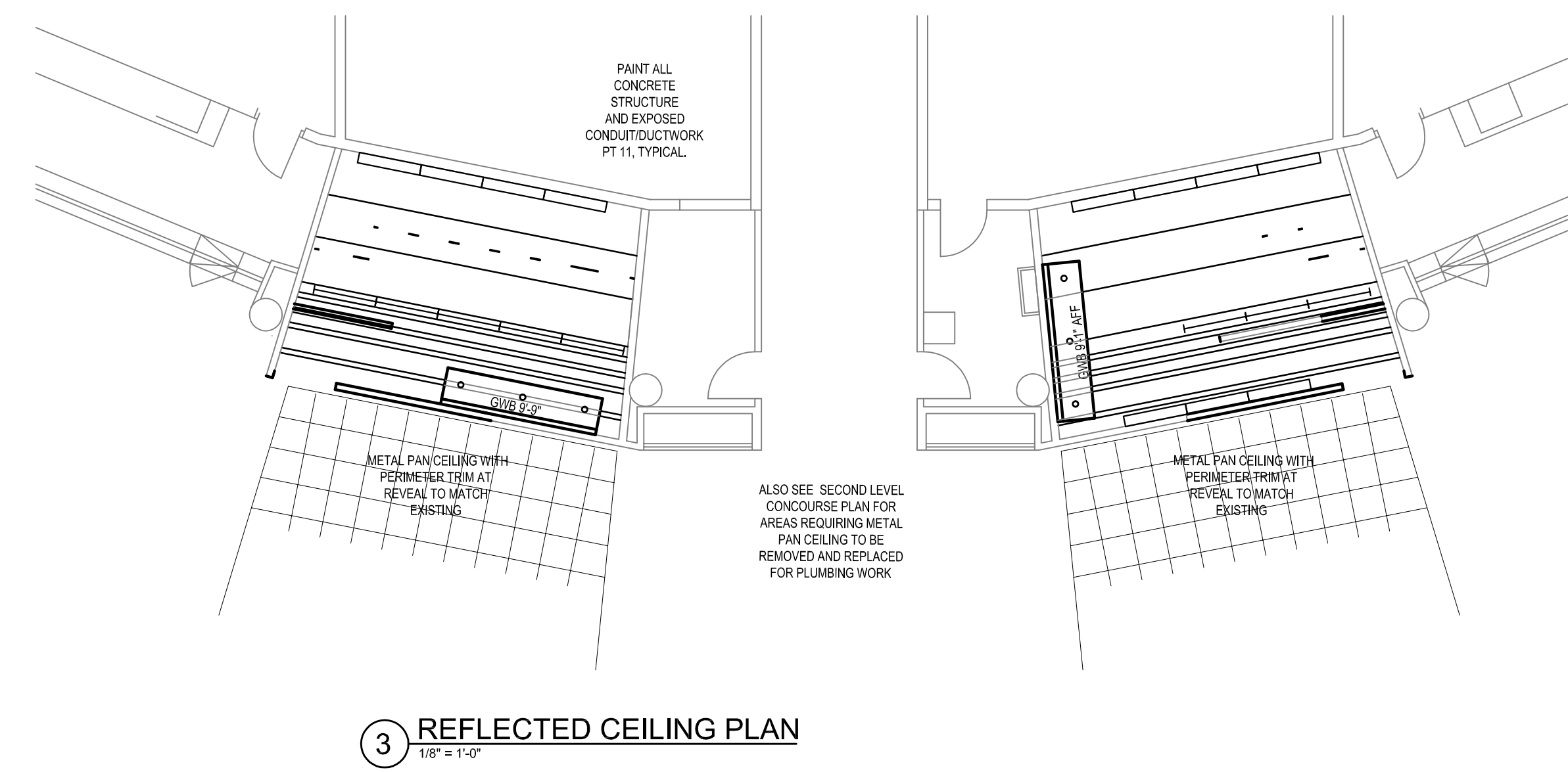
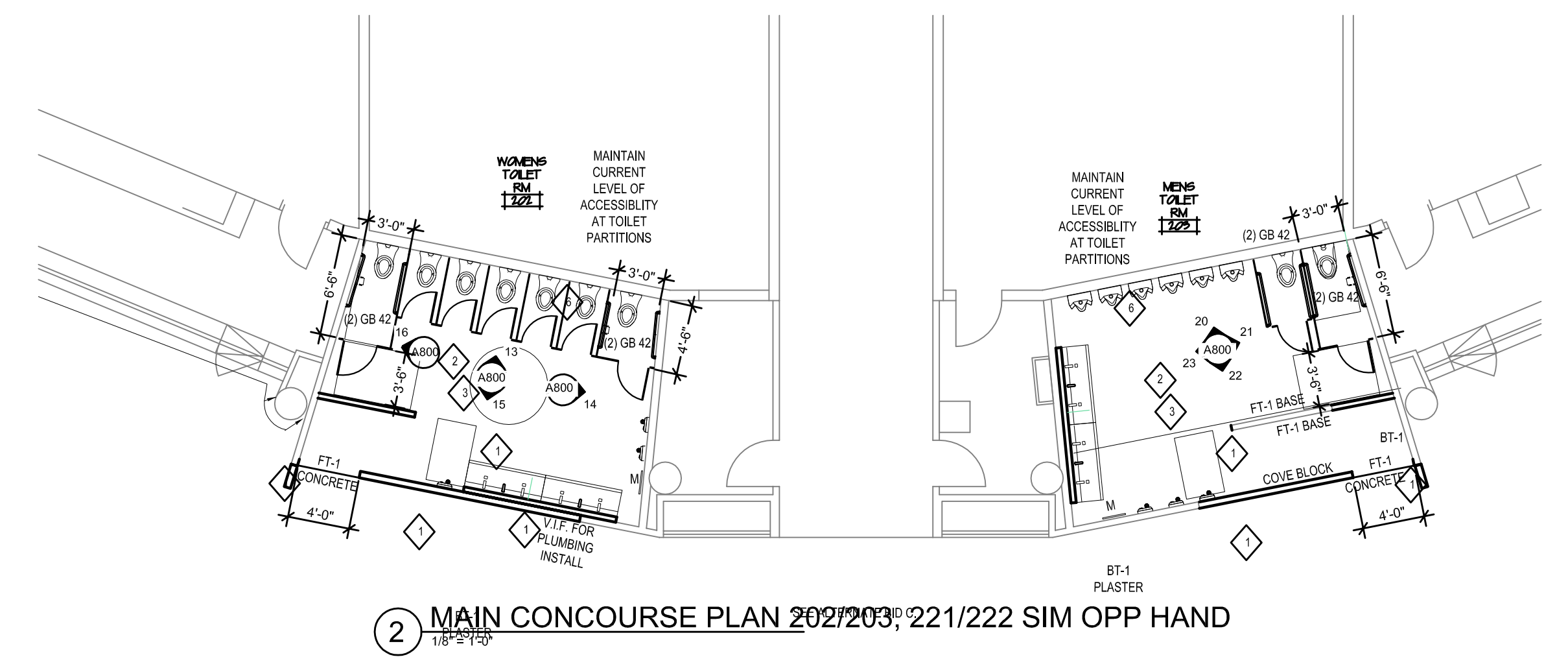
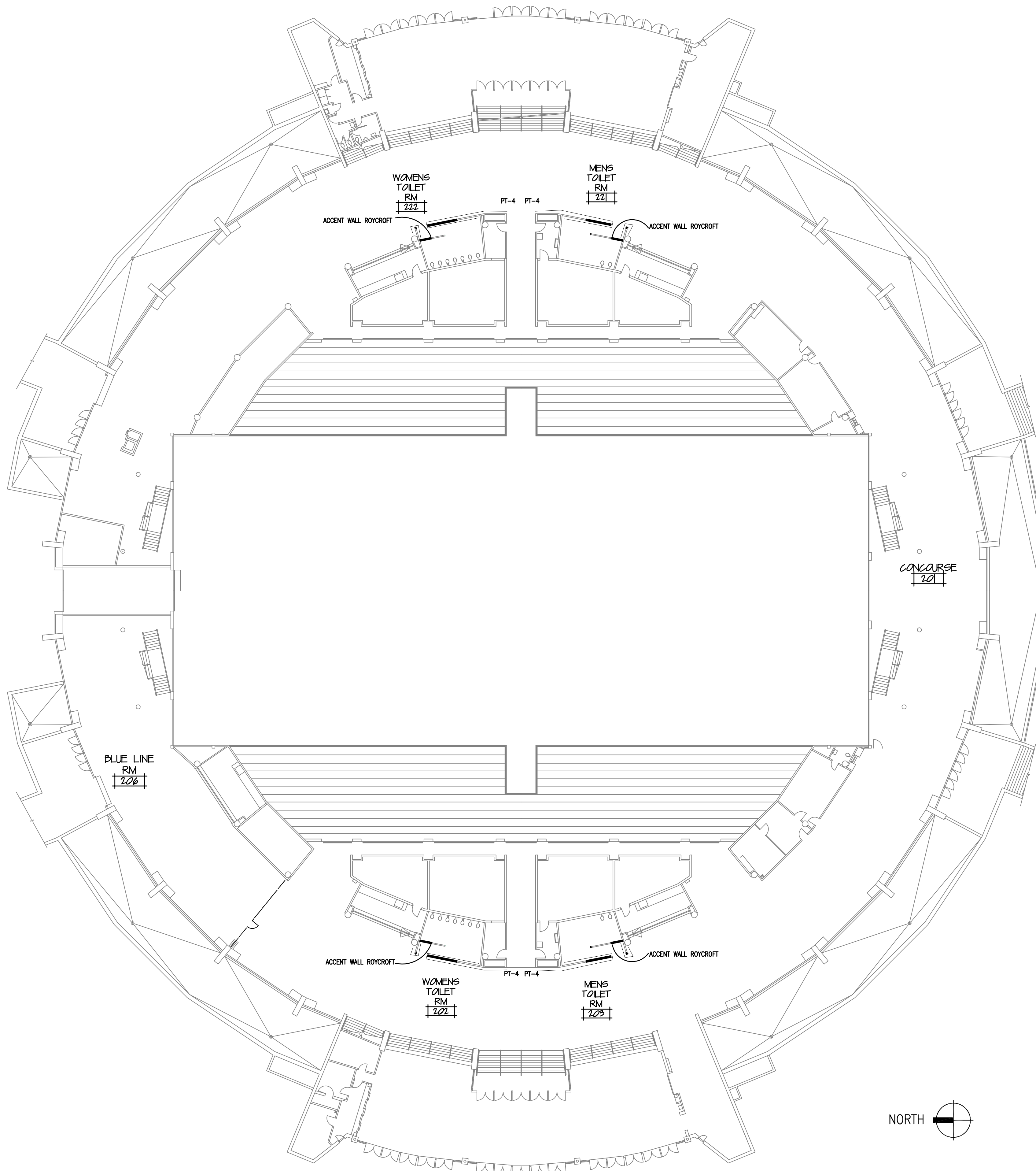
3 REFLECTED CEILING PLAN
1/8" = 1'-0"



4 DEMOLITION PLAN
1/8" = 1'-0"

DEMOLITION NOTES	
◇	DEMO PORTIONS OF WALLS FOR INSTALLATION OF MEP WITHIN EXISTING WALLS. SEE MEP. PATCH TO MATCH.
◇	SEE MEP PLANS FOR ADDITIONAL DEMO. DEMO, CUT AND PATCH FOR MEP ACCESS.
◇	REMOVE AND SALVAGE CORNER GUARDS WHERE REQUIRED FOR INSTALLATION OF WORK.
◇	DEMO MASONRY WALL. WHERE NOTED TO VERIFY WITH PLUMBING INSTALL. COORDINATE FINAL FINISHES IF CUT AND PATCH IS ACCEPTABLE IN LIEU OF WALL REPLACEMENT.
◇	DEMO TILE FLOOR
◇	DEMO ALL TOILET ACCESSORIES, SALVAGE ELECTRIC HAND DRYERS FOR REINSTALLATION.
◇	DEMO HM DOOR AND FRAME
◇	DEMO HM DOOR, REMOVE HARDWARE AND REPAIR FRAME
◇	DEMO WALL TILE INCLUDING AREA OF 4x4 WALL TILE. A/E WILL REVIEW IN FIELD ANY EXISTING TILE WALLS THAT PROVIDE AN ACCEPTABLE SUBSTRATE AND MEET ADA CLEARANCES

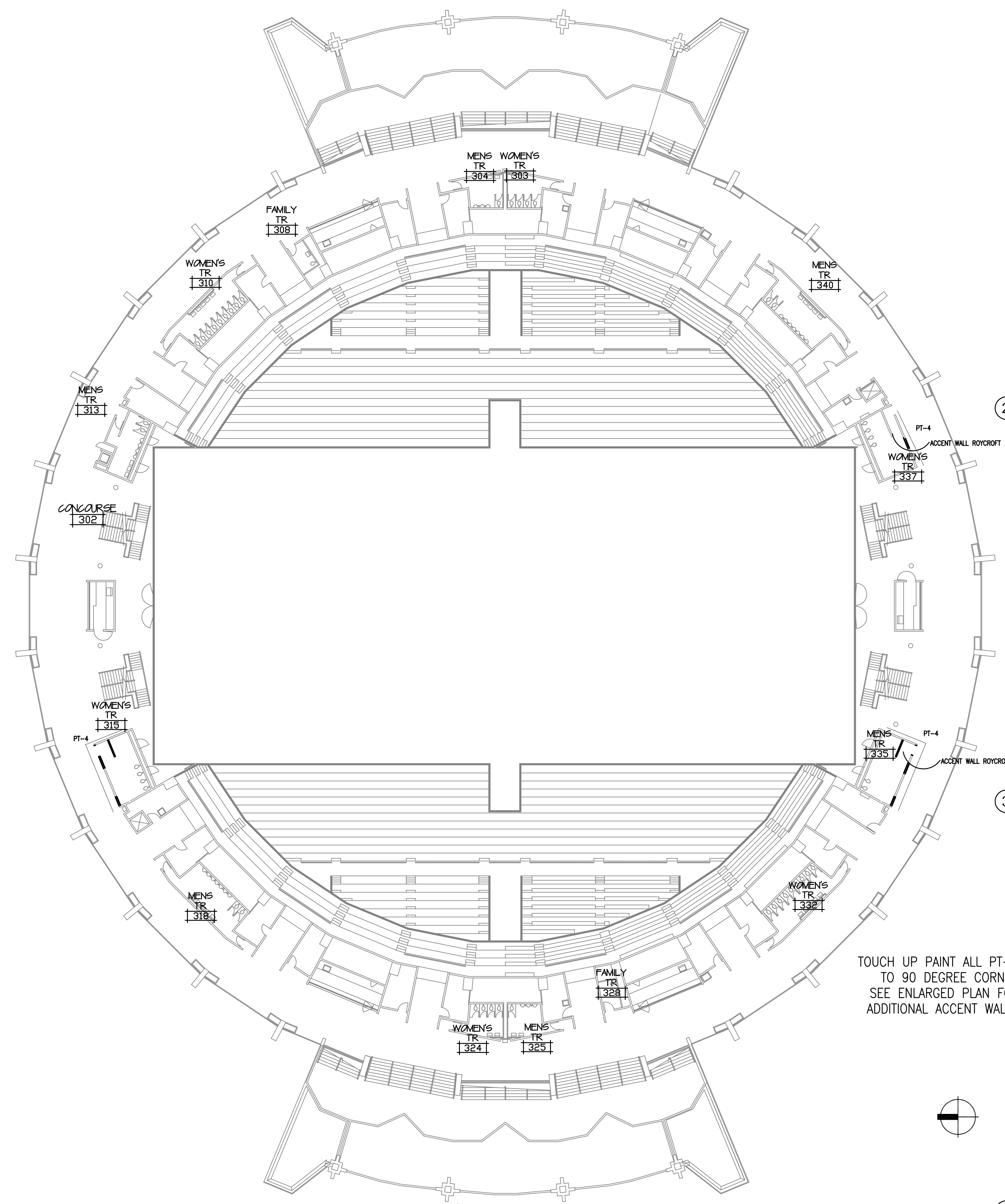
GENERAL NOTES:	
1.	FIELD VERIFY ALL EXISTING CONDITIONS, NOTIFY ARCHITECT OF ANY DISCREPANCIES.
2.	MATCH TEXTURE OF EXISTING WALLS WHERE PATCHING/INFILLING PORTLAND CEMENT PLASTER. SEE ELECTRICAL FOR LIGHT FIXTURE TYPE D. PROVIDE PORTLAND CEMENT PLASTER FINISH OVER MUD-IN MOUNTING BRACKET AND COORDINATE AT LOCATIONS OF WALL TILE FOR A COMPLETE INSTALLATION.
3.	PATCH TO MATCH ALL EXPOSED SURFACES INCLUDING THOSE NOW EXPOSED TO STRUCTURE OR DAMAGED BY DEMOLITION OR INSTALLATION OF THE WORK. SEE MEP FOR WORK REQUIRING REMOVAL AND REINSTALLATION. EXISTING METAL PAN CEILING: 24"x24" SNAP IN PANEL, 24 GA GALVANEAL STEEL, B-PERFORATION (15% OPEN AREA) POLYESTER POWDER COAT IN GLOBAL WHITE AND FIELD PAINT BENJAMIN MOORE DECORATOR WHITE, V.I.F. CONTACT: NEXGEN BUILDING SUPPLY
4.	GC TO COORDINATE WITH TILE INSTALLER, HAVE A PRE-INSTALLATION CONFERENCE AND DEMO AS REQUIRED FOR TILE INSTALLATION AND MEP ACCESS.
5.	ALL OPENINGS AND DAMAGED AREAS ARE TO BE PATCHED TO MATCH. ALL SURFACES ARE TO RECEIVE FINISH PAINT ALL HM DOORS AND FRAMES.
6.	SLOPE FLOORS TO ANY EXISTING DRAINS.
7.	SEE MECHANICAL AND ELECTRICAL AND COORDINATE RECEPTACLE AND EQUIPMENT LOCATIONS WITH OWNER PRIOR TO ROUGH IN. COORDINATE WALL LOCATIONS TO AVOID EXISTING DUCTWORK.
8.	SEE 10 28 00 FOR COAT/HOOK SCHEDULE
9.	REPAIR AND FINISH ALL CONCRETE FLOORS IN THE CONCOURSE WHERE DAMAGED BY DEMOLITION.
10.	PROVIDE WALL LAYOUT AND REVIEW LINE OF SIGHT WITH OWNER AND ARCHITECT BEFORE INSTALLATION OR DEMOLITION.



Architecture
Planning

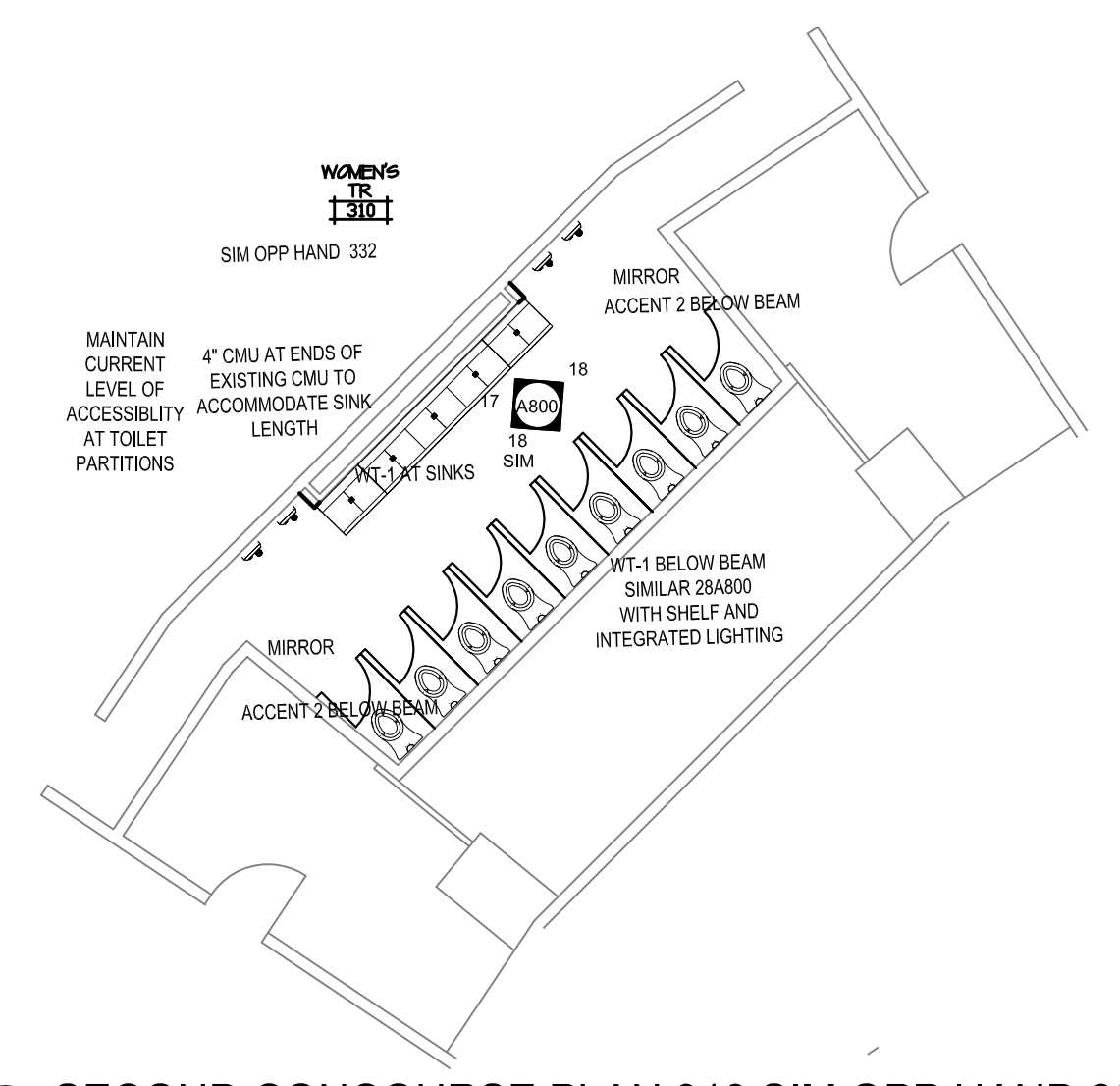
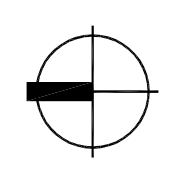
DorschnerAssociates, Inc.
849 E. Washington Ave., Ste 112
Madison, Wisconsin 53703

ISSUED

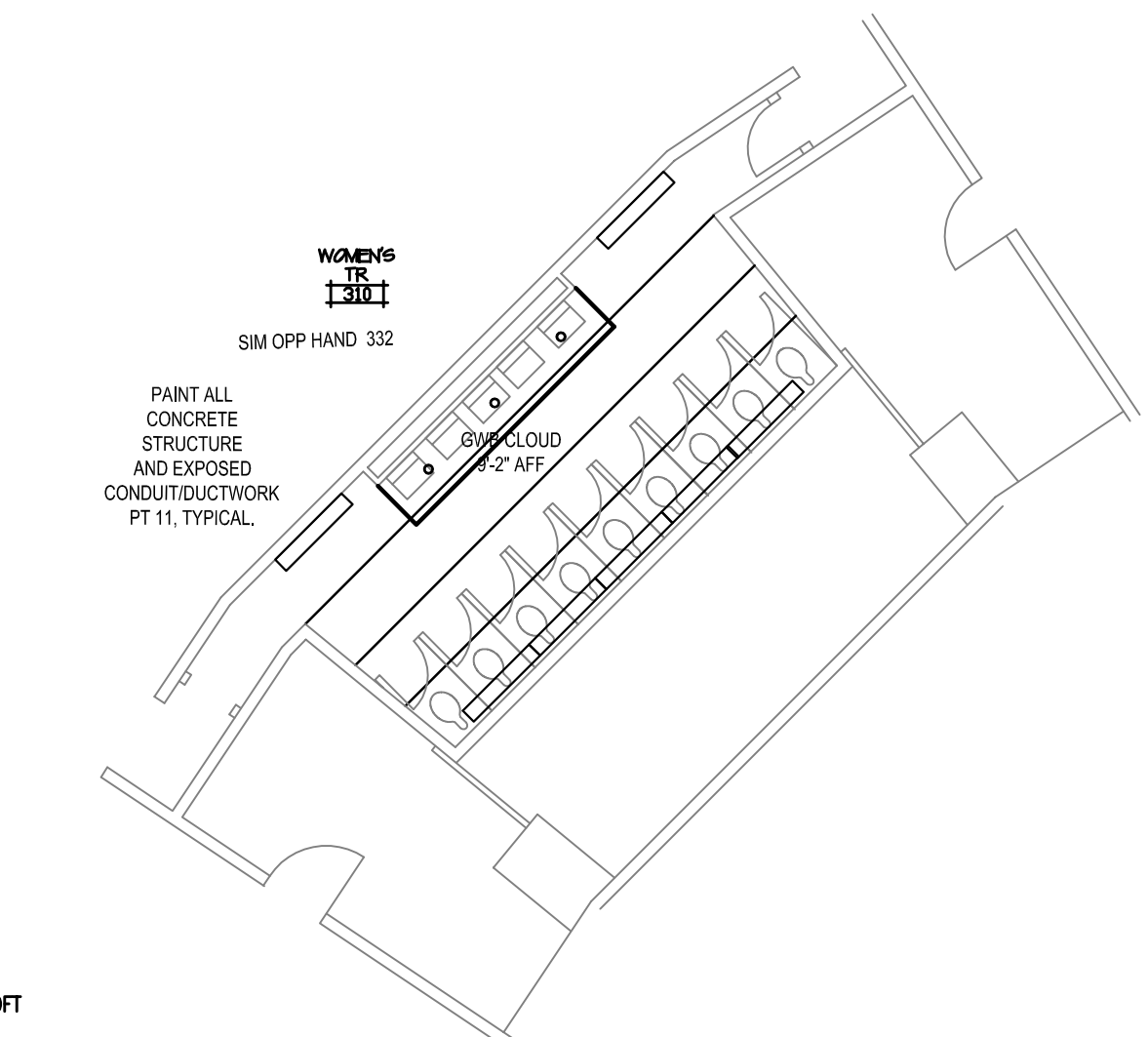


1 SECOND LEVEL CONCOURSE FINISH PLAN
1/8" = 20'-0"

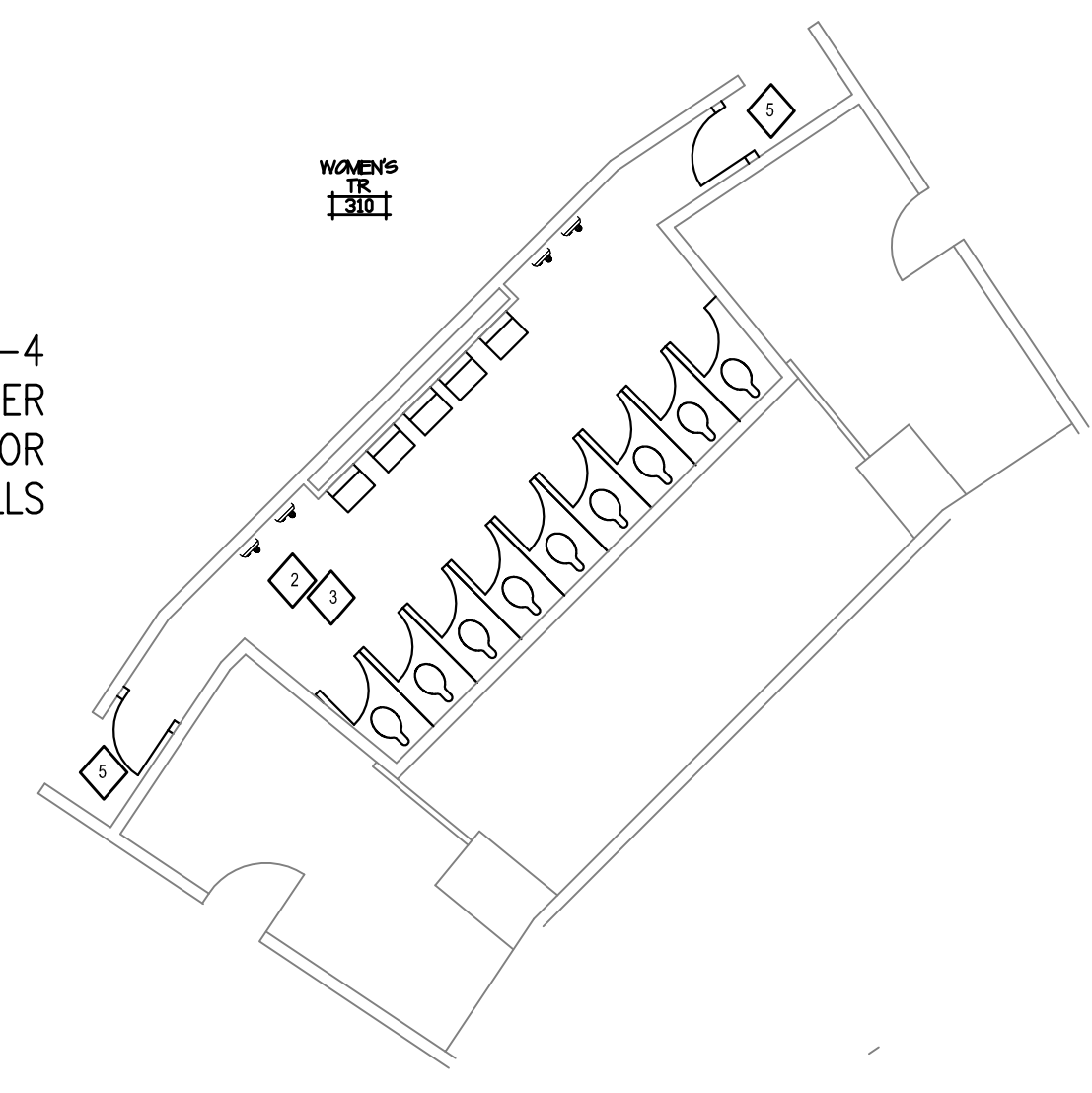
TOUCH UP PAINT ALL PT-4
TO 90 DEGREE CORNER
SEE ENLARGED PLAN FOR
ADDITIONAL ACCENT WALLS



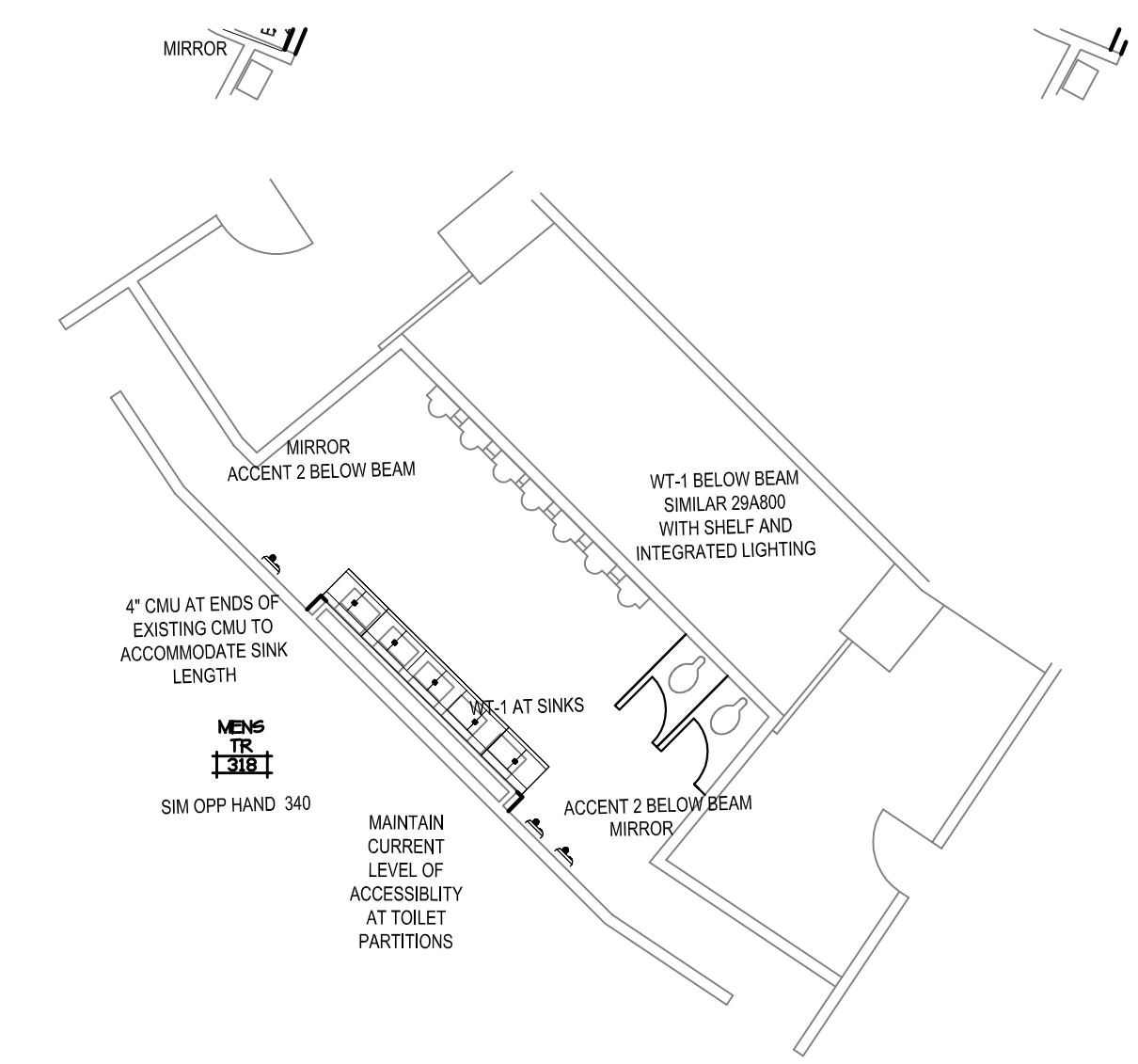
2 SECOND CONCOURSE PLAN 310 SIM OPP HAND 332
1/8" = 1'-0"



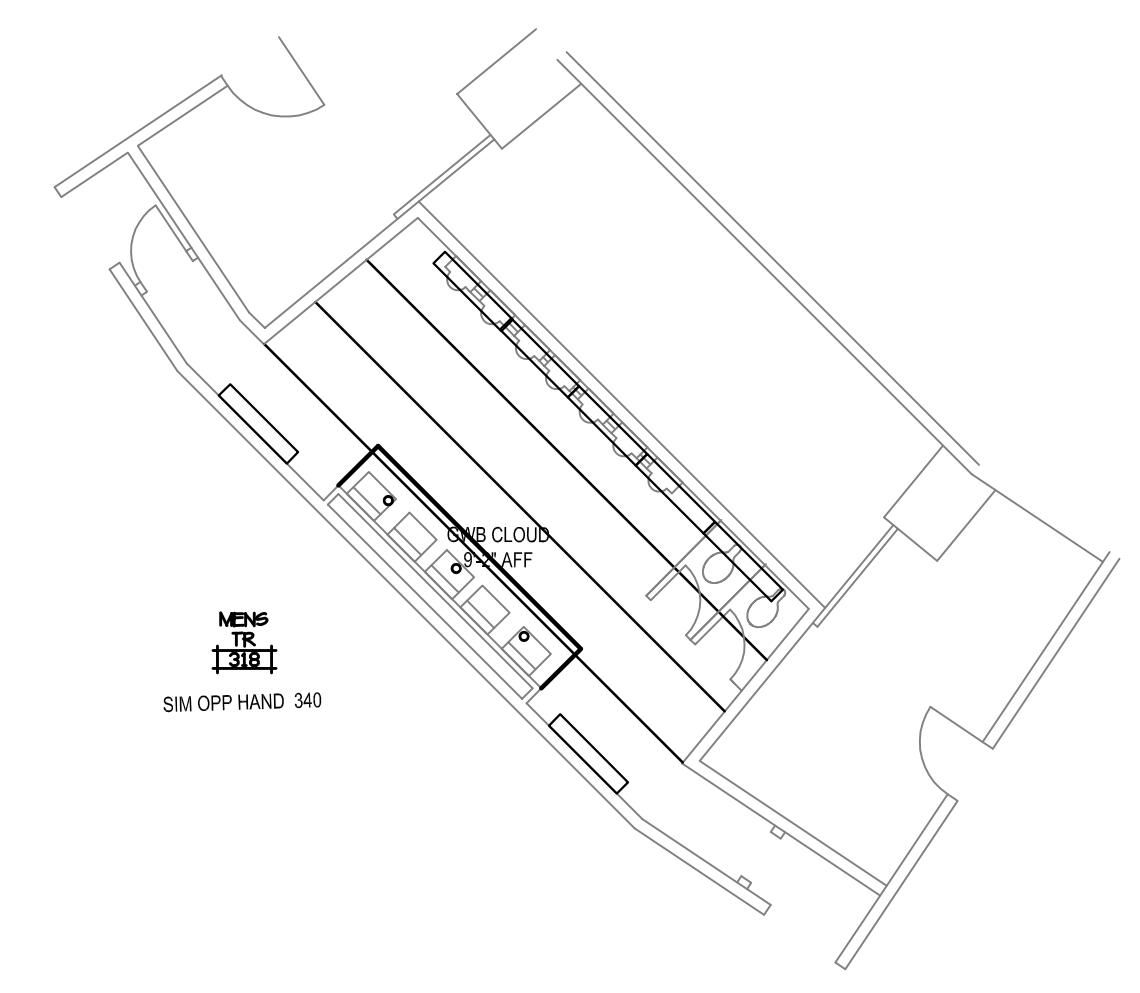
3 REFLECTED CEILING PLAN
1/8" = 1'-0"



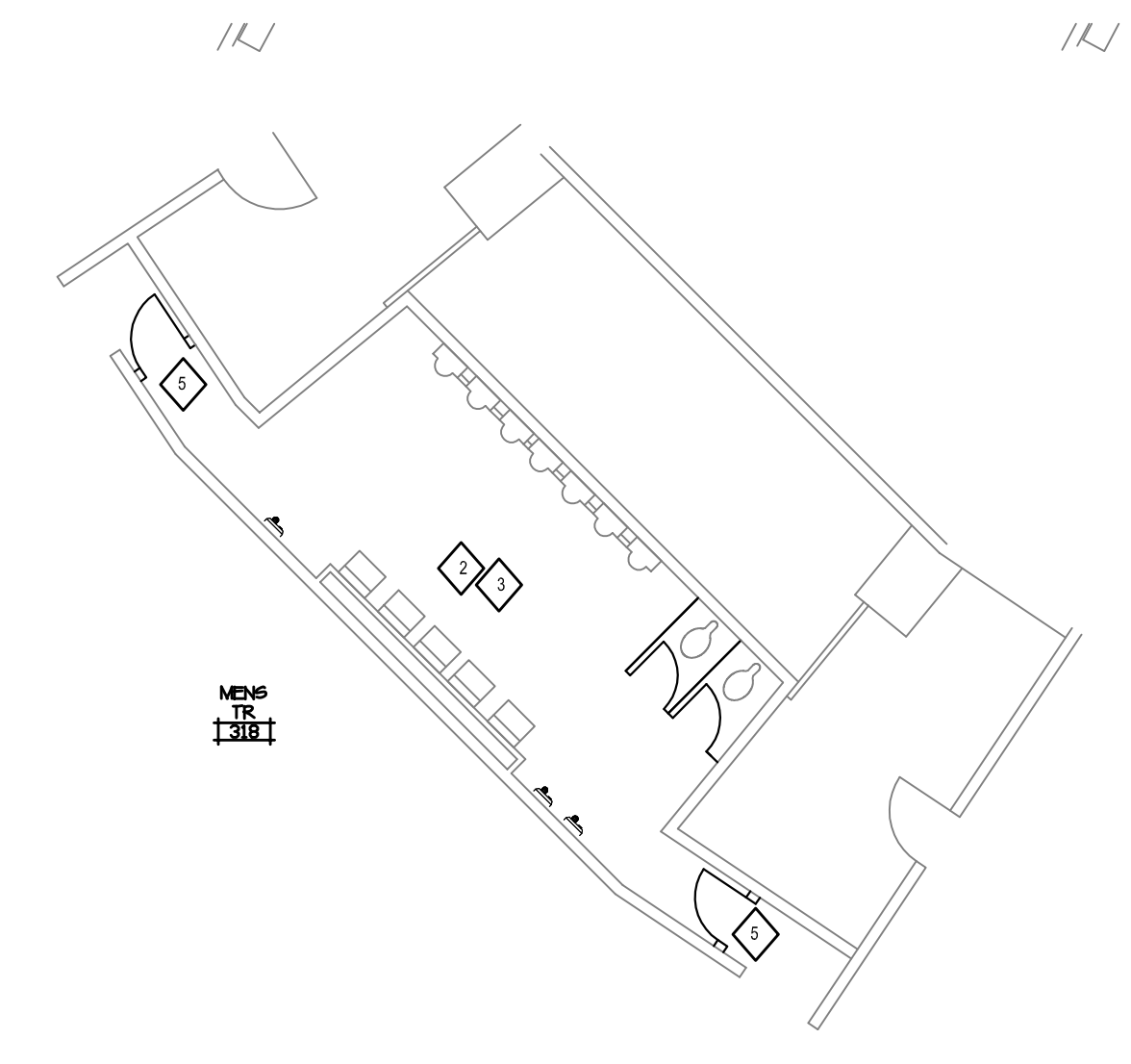
4 DEMOLITION PLAN
1/8" = 1'-0"



5 SECOND CONCOURSE PLAN 318 SIM OPP HAND 340
1/8" = 1'-0"



6 REFLECTED CEILING PLAN
1/8" = 1'-0"



7 DEMOLITION PLAN
1/8" = 1'-0"

PROJECT
COLISEUM RESTROOM
UPGRADES
ALLIANT ENERGY CENTER
1919 ALLIANT ENERGY
CENTER WAY
MADISON, WISCONSIN

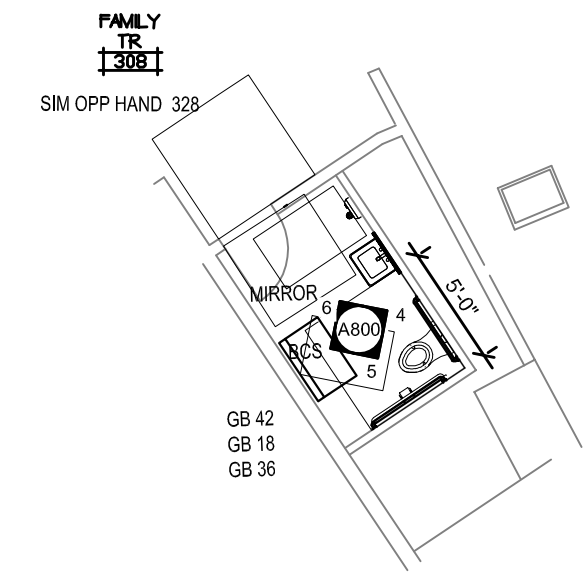
DRAWING
SECOND LEVEL
CONCOURSE PLAN

DATE
03.28.17

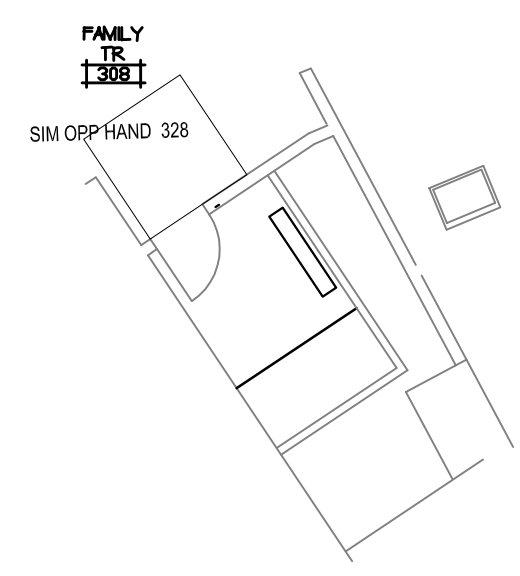
Architecture
Planning

Dorschner Associates, Inc.
849 E. Washington Ave., Ste 112
Madison, Wisconsin 53703

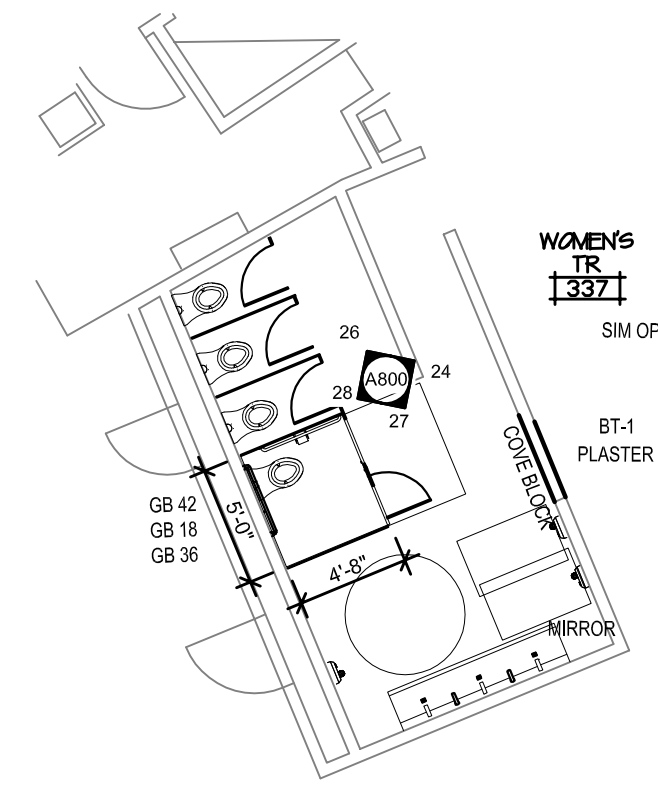
ISSUED



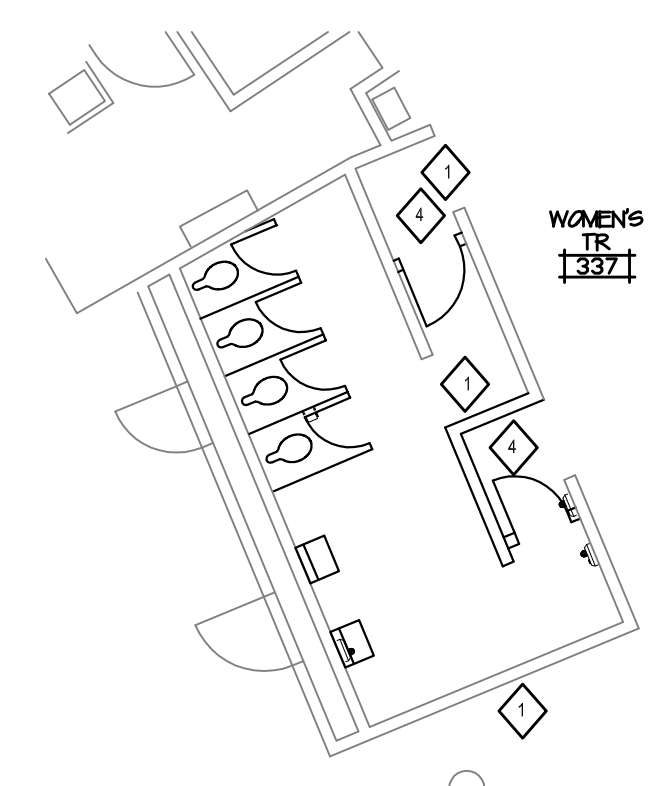
1 SECOND CONCOURSE 308/328 SIM OPP HAND
1/8" = 1'-0"



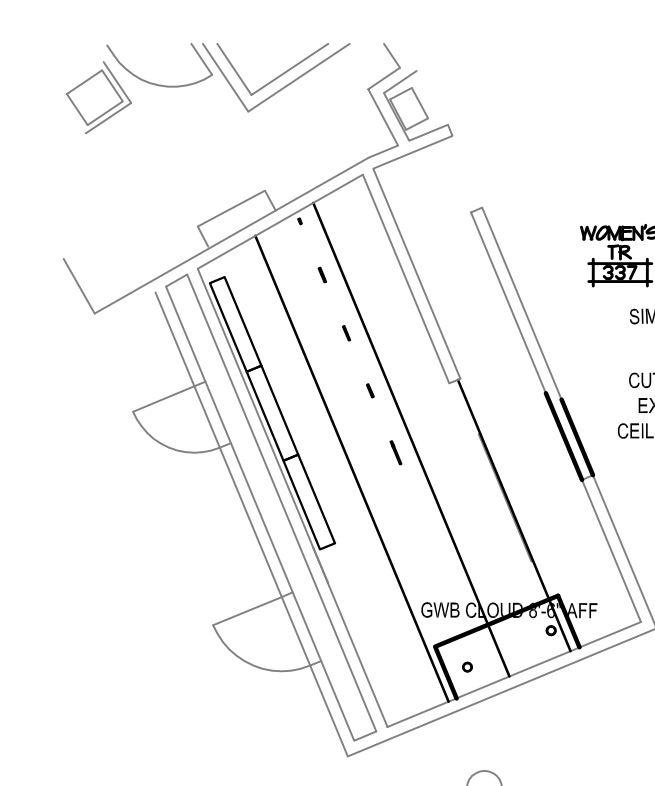
2 308/328 SIM OPP HAND RCP
1/8" = 1'-0"



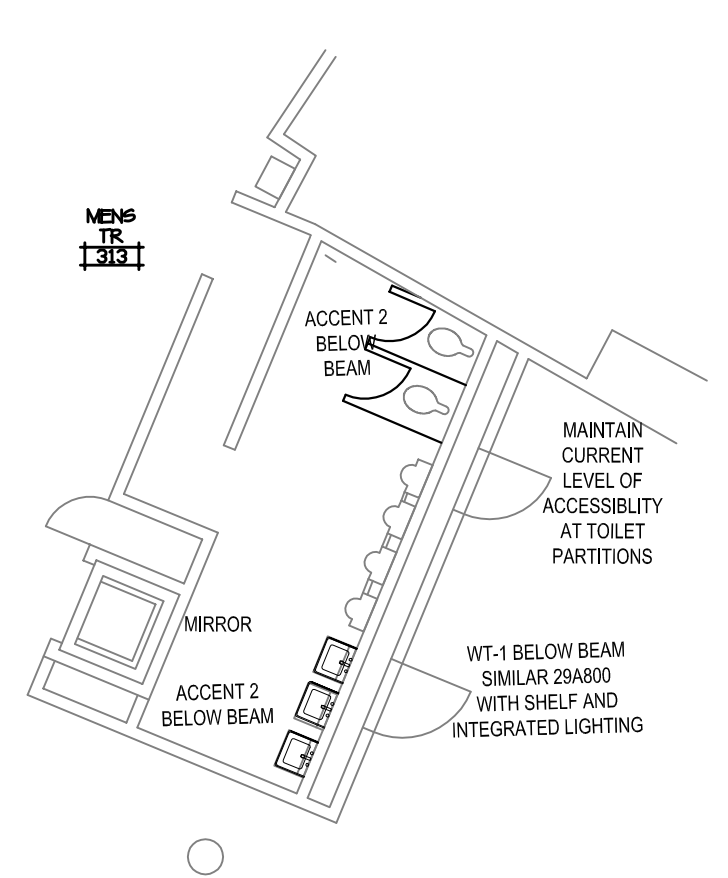
3 SECOND CONCOURSE 337/316 SIM OPP HAND
1/8" = 1'-0"



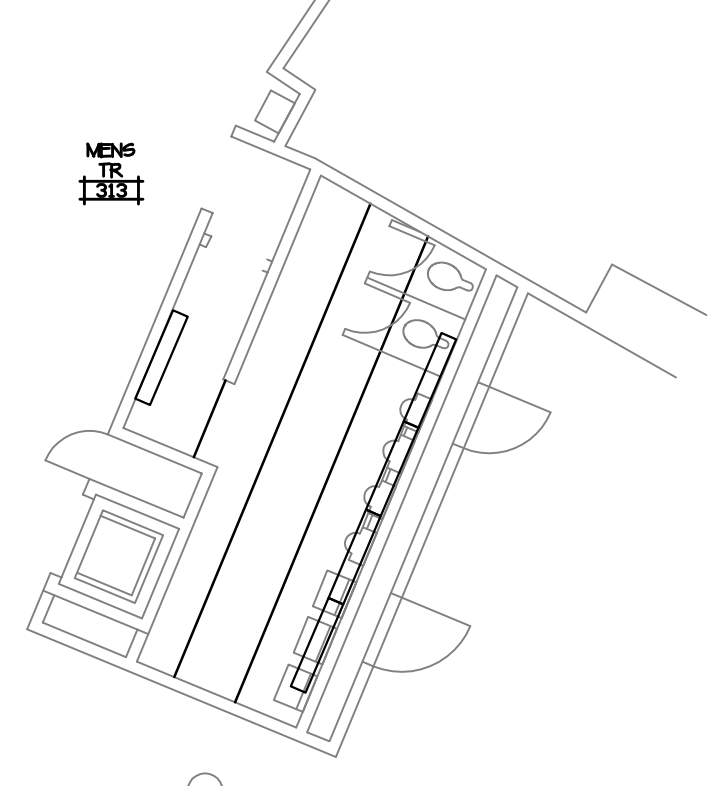
4 337/316 SIM OPP HAND DEMO
1/8" = 1'-0"



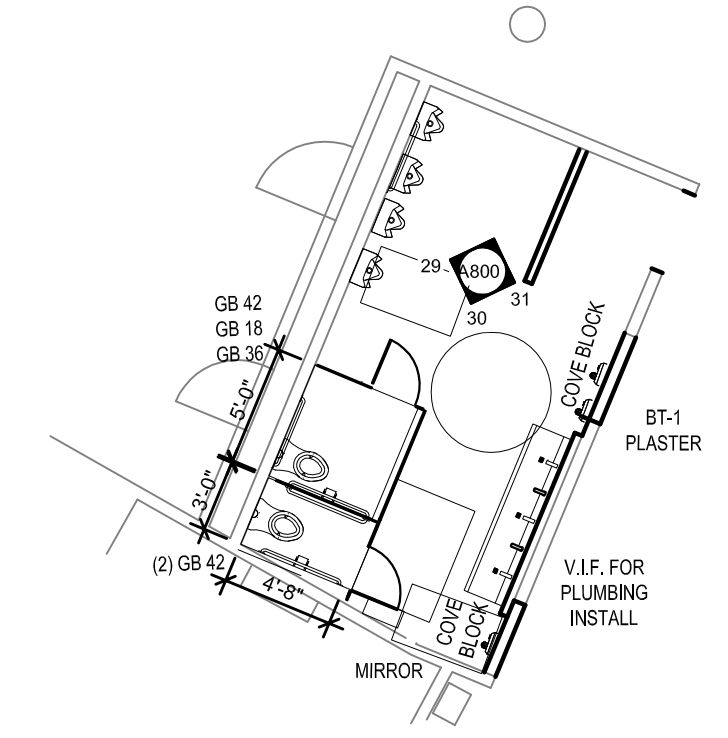
5 337/316 SIM OPP HAND RCP
1/8" = 1'-0"



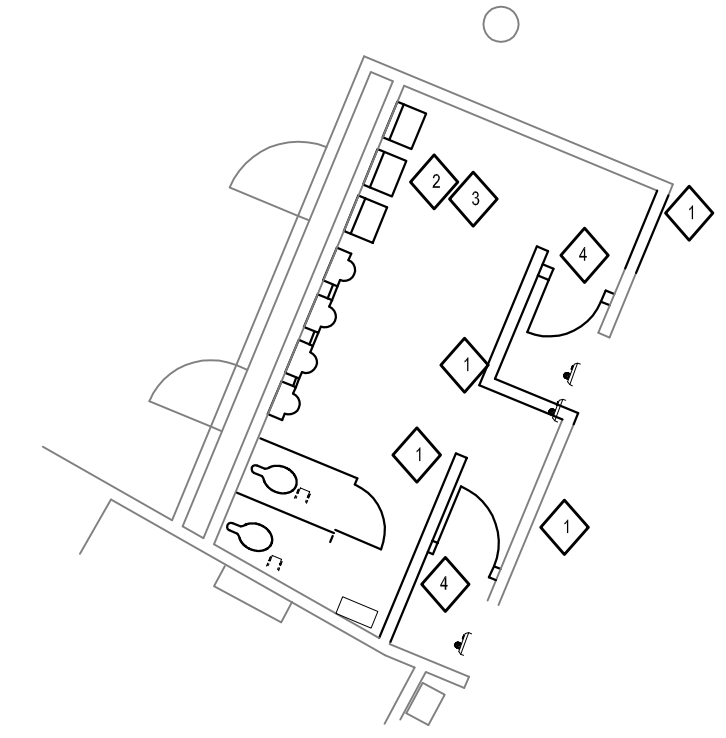
6 SECOND CONCOURSE 313
1/8" = 1'-0"



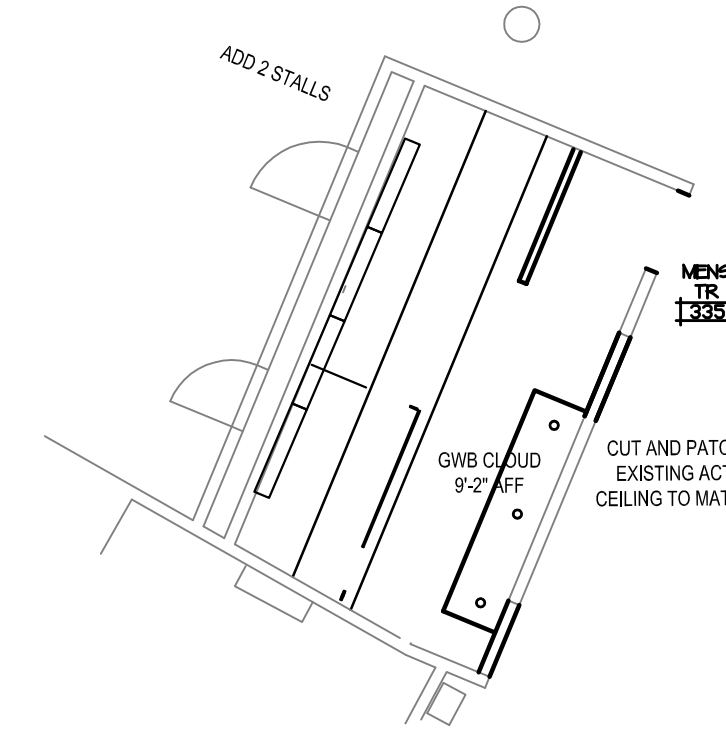
7 313 RCP
1/8" = 1'-0"



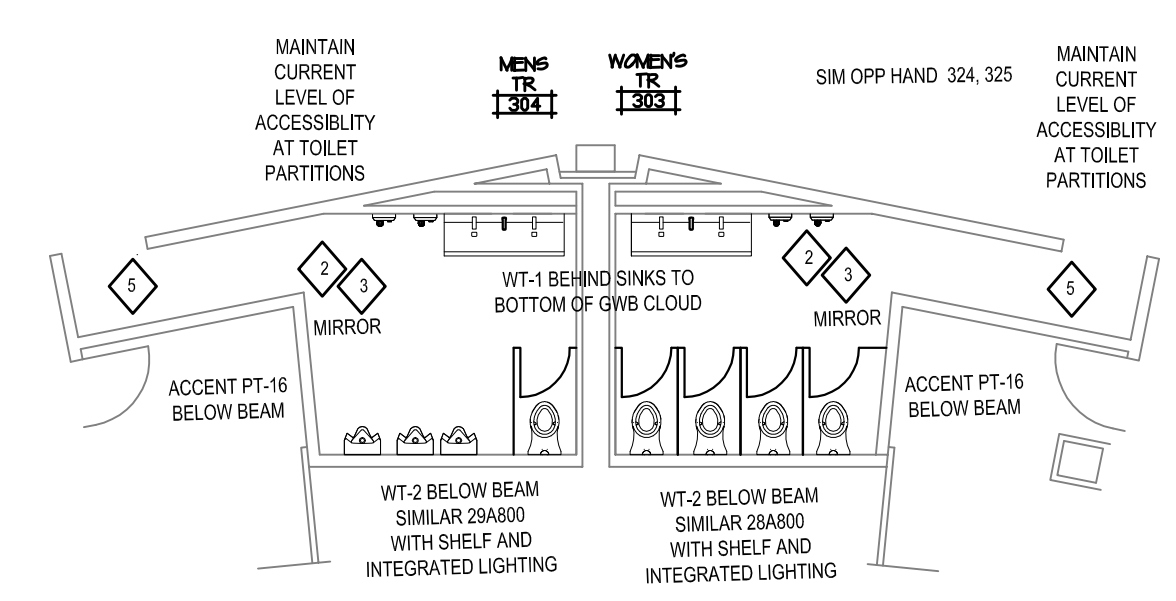
8 SECOND CONCOURSE 335
1/8" = 1'-0"



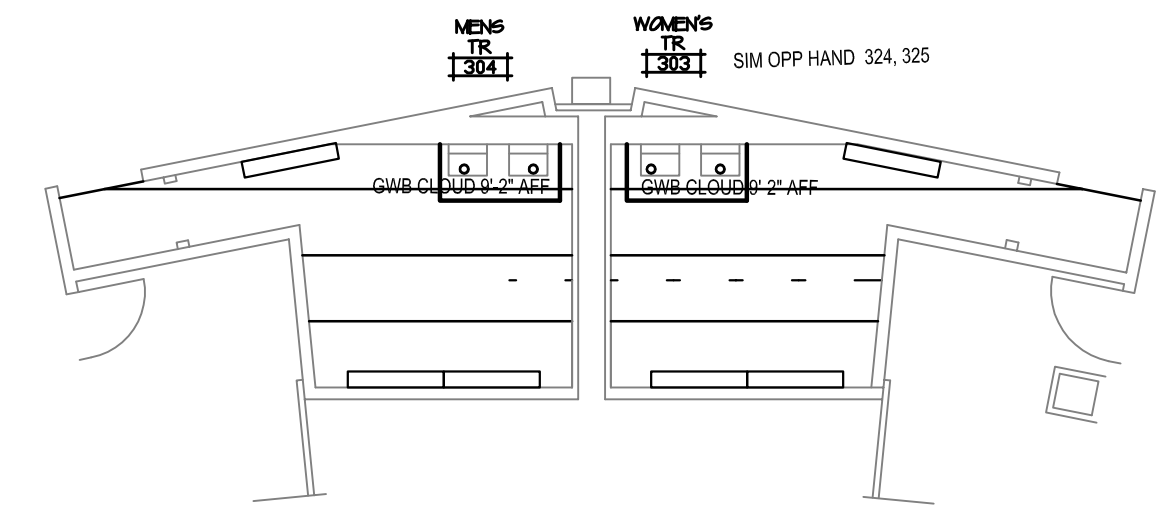
9 335 DEMO
1/8" = 1'-0"



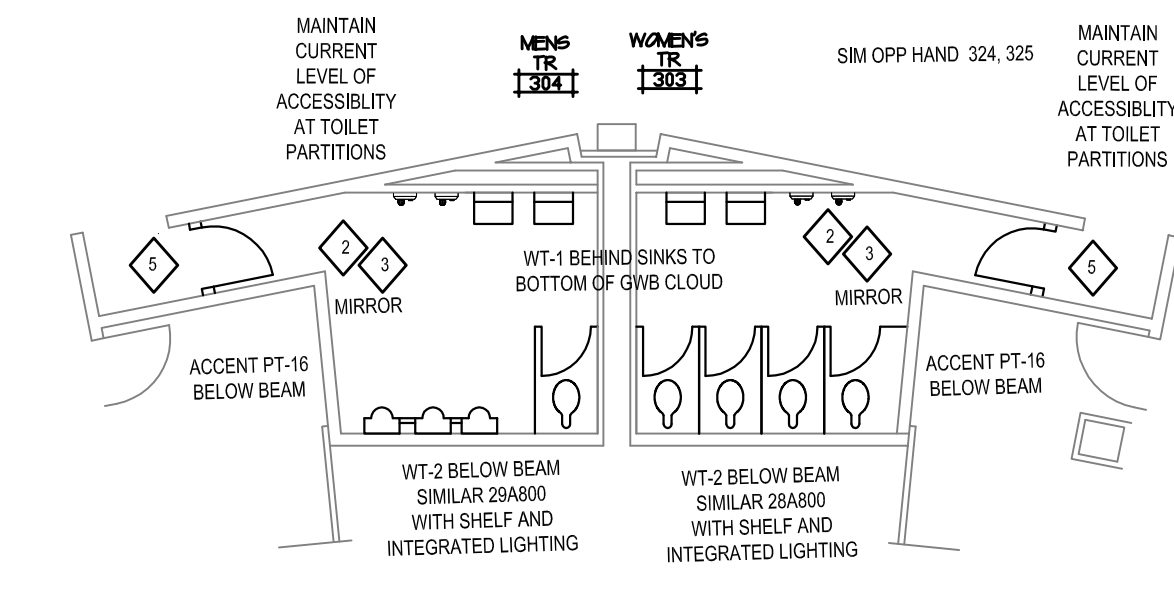
10 335 RCP
1/8" = 1'-0"



11 FLOOR PLAN 303/304 AND 328/325 SIM OPP HAND
1/8" = 1'-0"



12 FLOOR PLAN 303/304 AND 328/325 SIM OPP HAND RCP
1/8" = 1'-0"



13 303/304 AND 328/325 SIM OPP HAND DEMO
1/8" = 1'-0"

PROJECT
COLISEUM RESTROOM
UPGRADES
ALLIANT ENERGY CENTER
1919 ALLIANT ENERGY
CENTER WAY
MADISON, WISCONSIN

DRAWING
SECOND LEVEL
CONCOURSE PLAN

DATE
03.28.17

Architecture
Planning

Dorschner/Associates, Inc.
849 E. Washington Ave., Ste 112
Madison, Wisconsin 53703

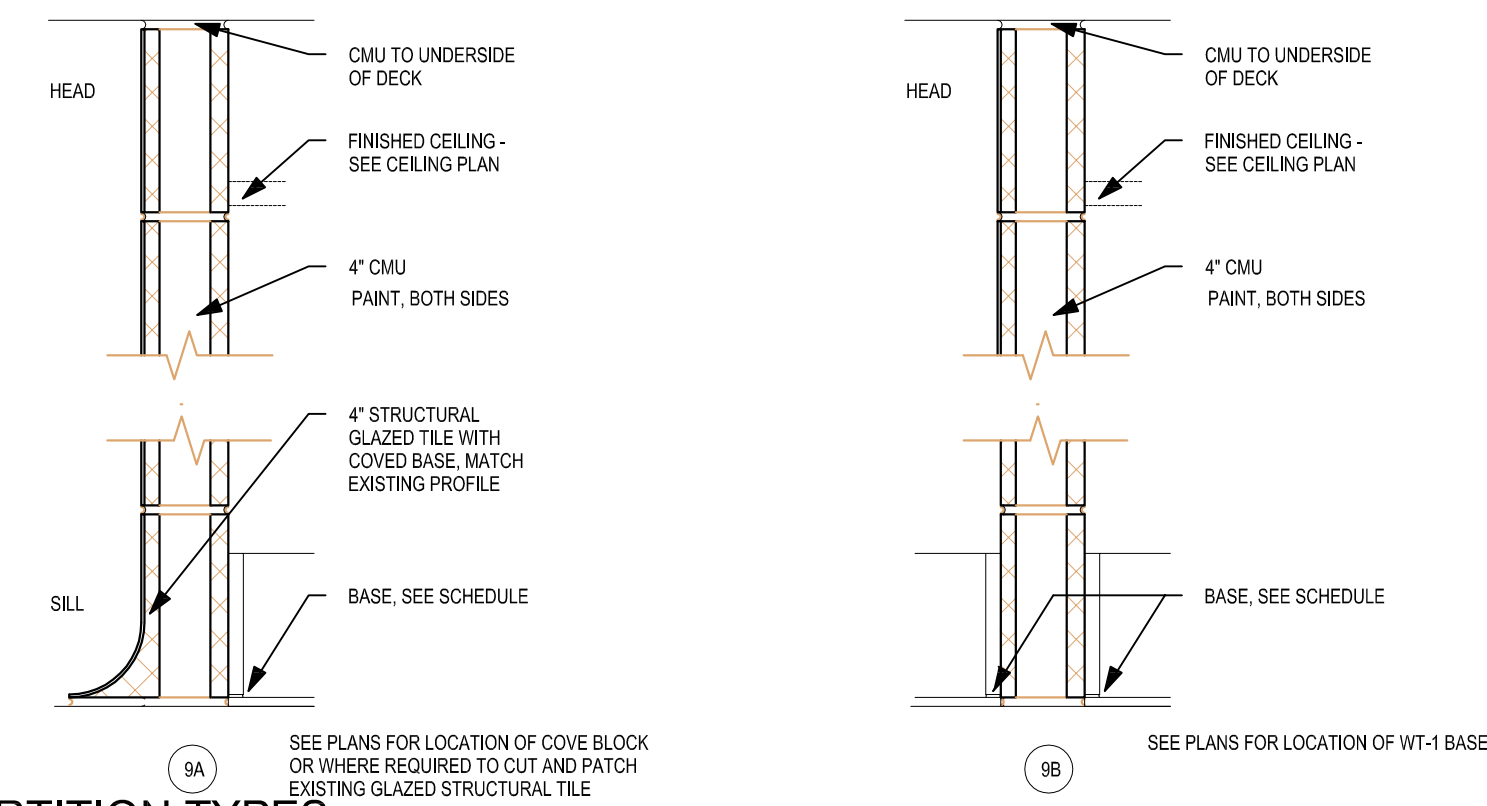
ISSUED
CB101 08.03.16
CB101 REV 08.23.16

PROJECT
COLISEUM RESTROOM
UPGRADES
ALLIANT ENERGY CENTER
1919 ALLIANT ENERGY
CENTER WAY
MADISON, WISCONSIN

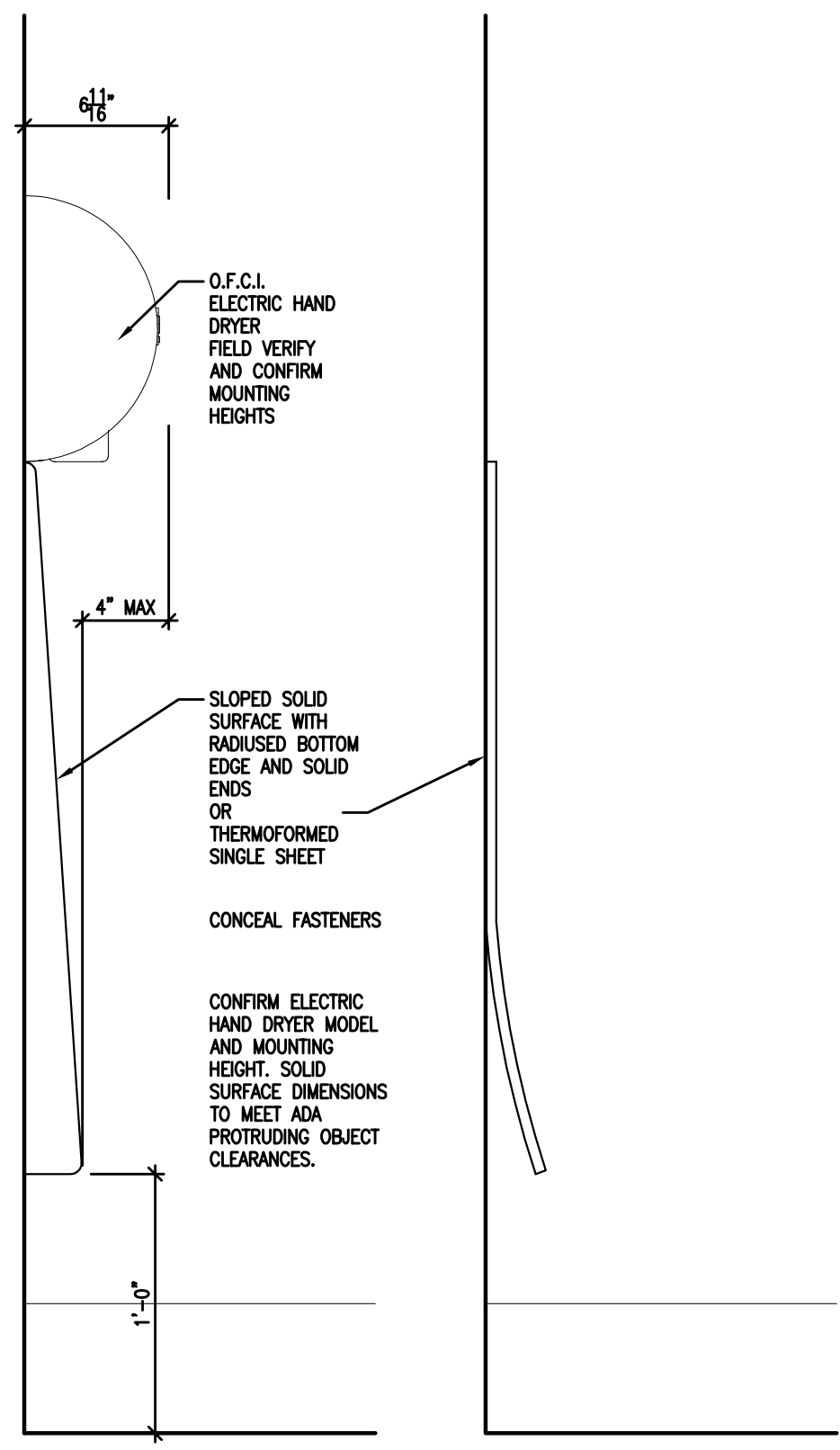
DRAWING
PARTITION TYPES, DETAILS

DATE
03.28.17

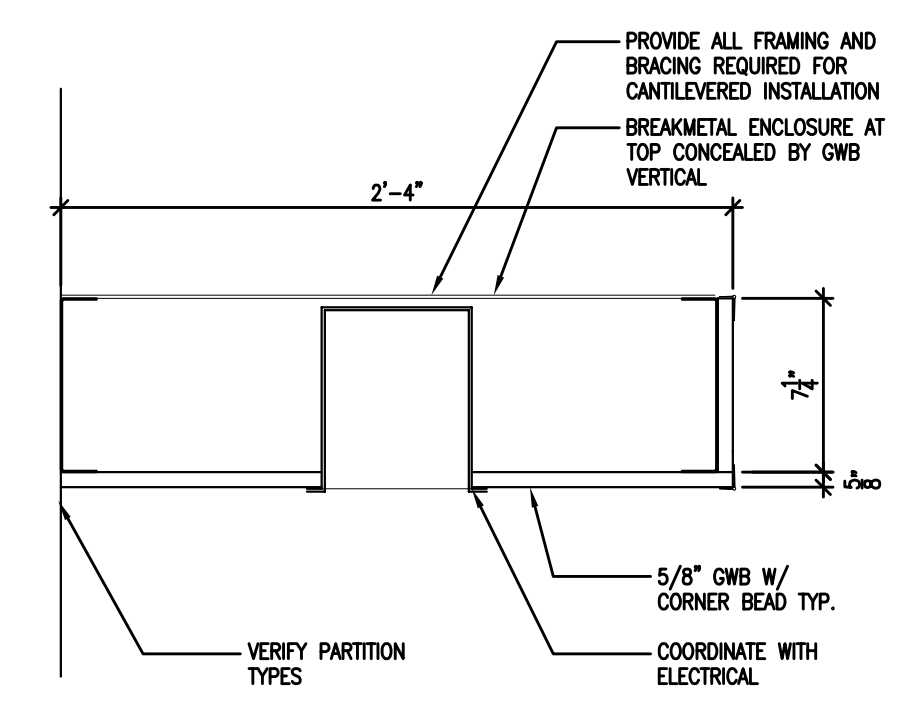
A700



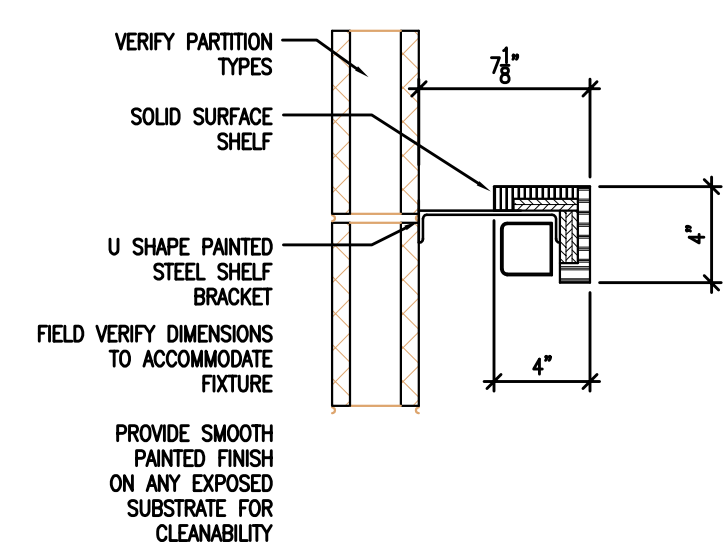
1 PARTITION TYPES
1 1/2"=1'-0"



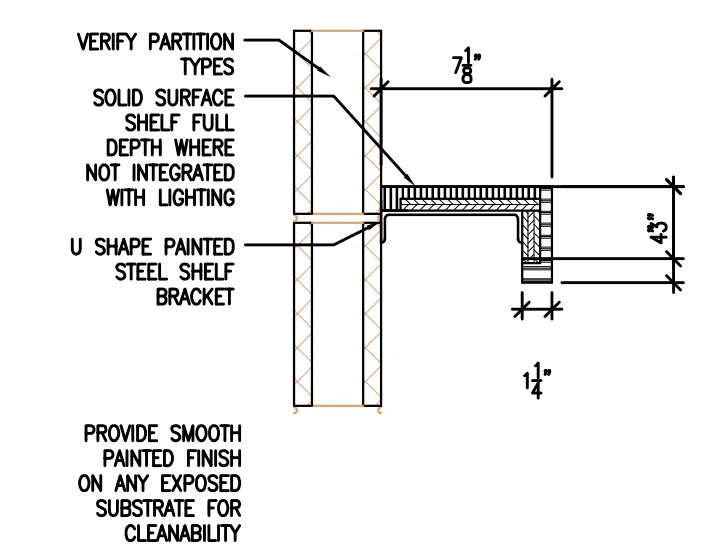
3 SOLID SURFACE BELOW ELECTRIC HAND DRYERS
1 1/2"=1'-0"



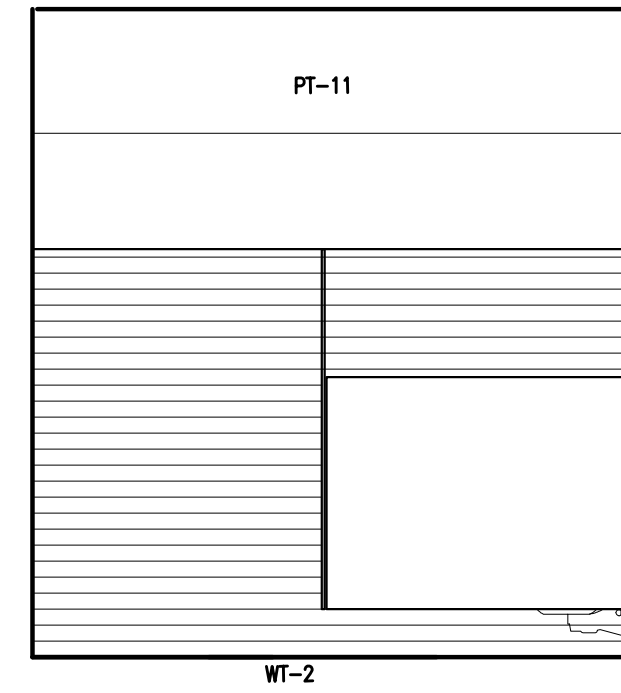
2 GWB CLOUD DETAIL
1 1/2"=1'-0"



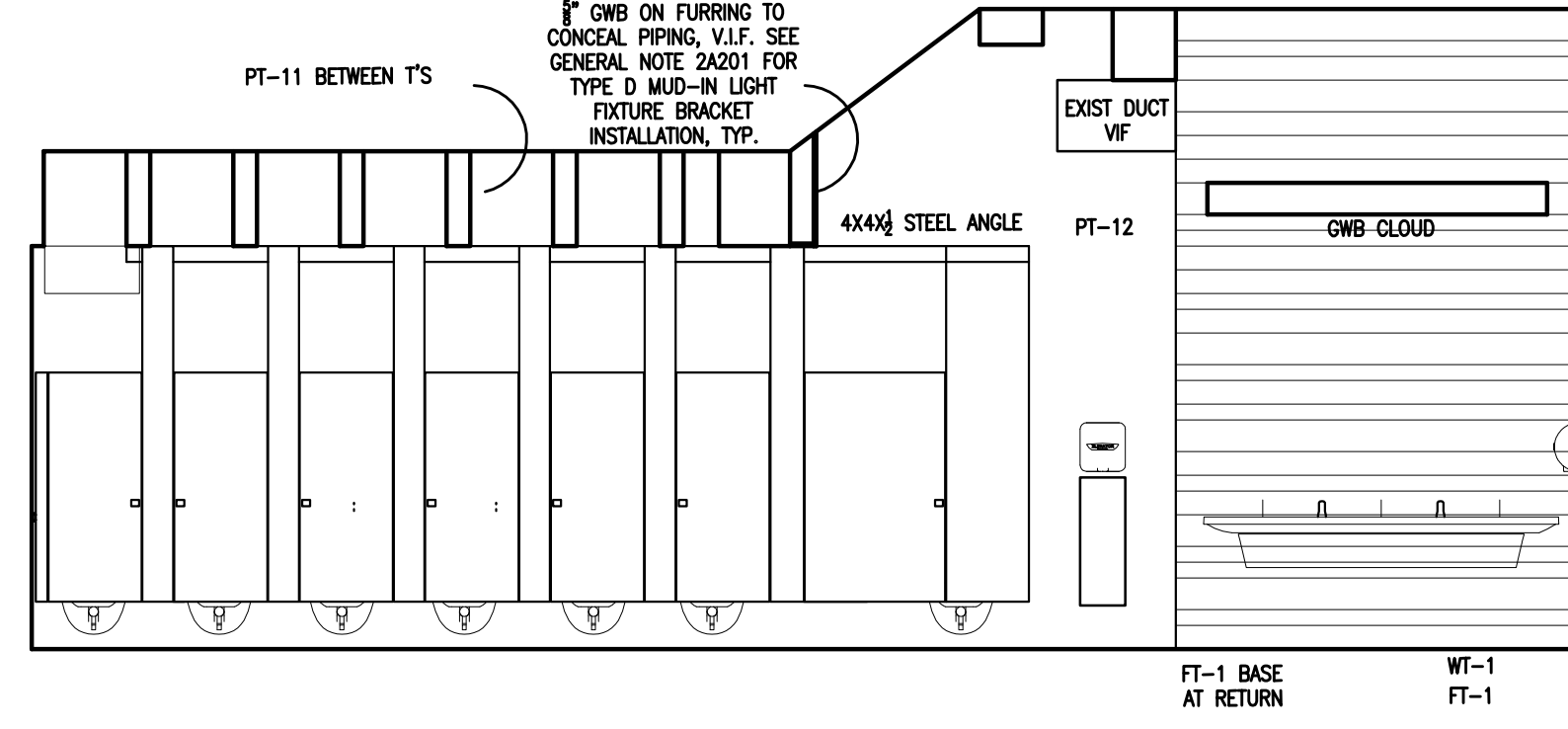
4 SHELF WITH INTEGRATED LIGHTING
1 1/2"=1'-0"



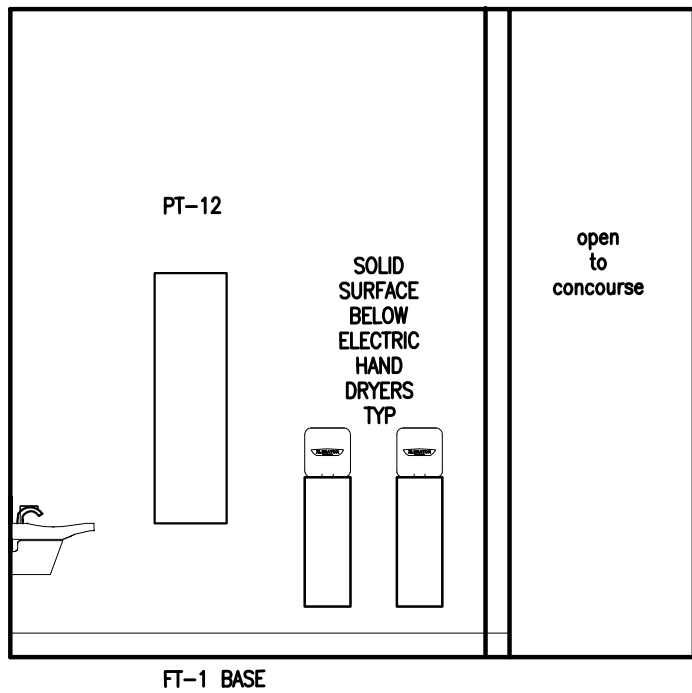
8 SHELF DETAIL
1 1/2"=1'-0"



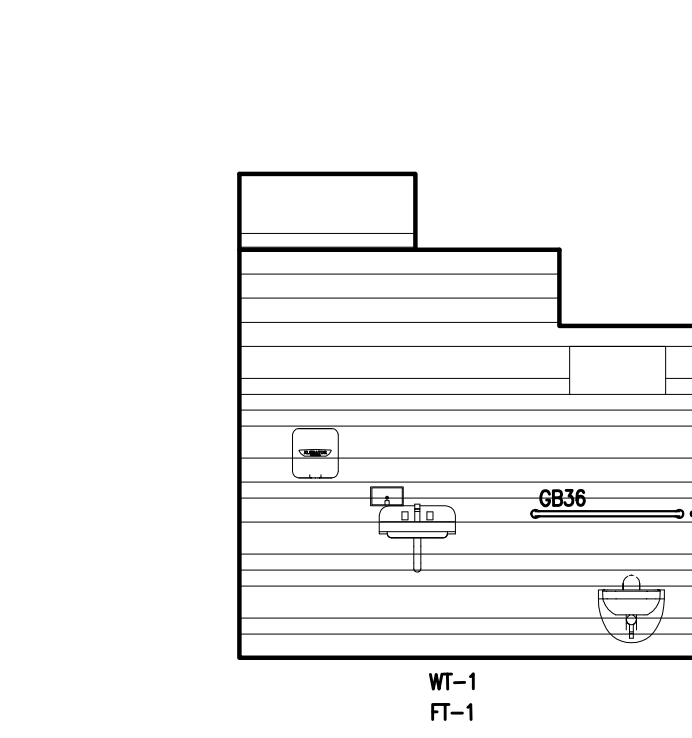
1 INTERIOR ELEVATION
1/4" = 1'-0"



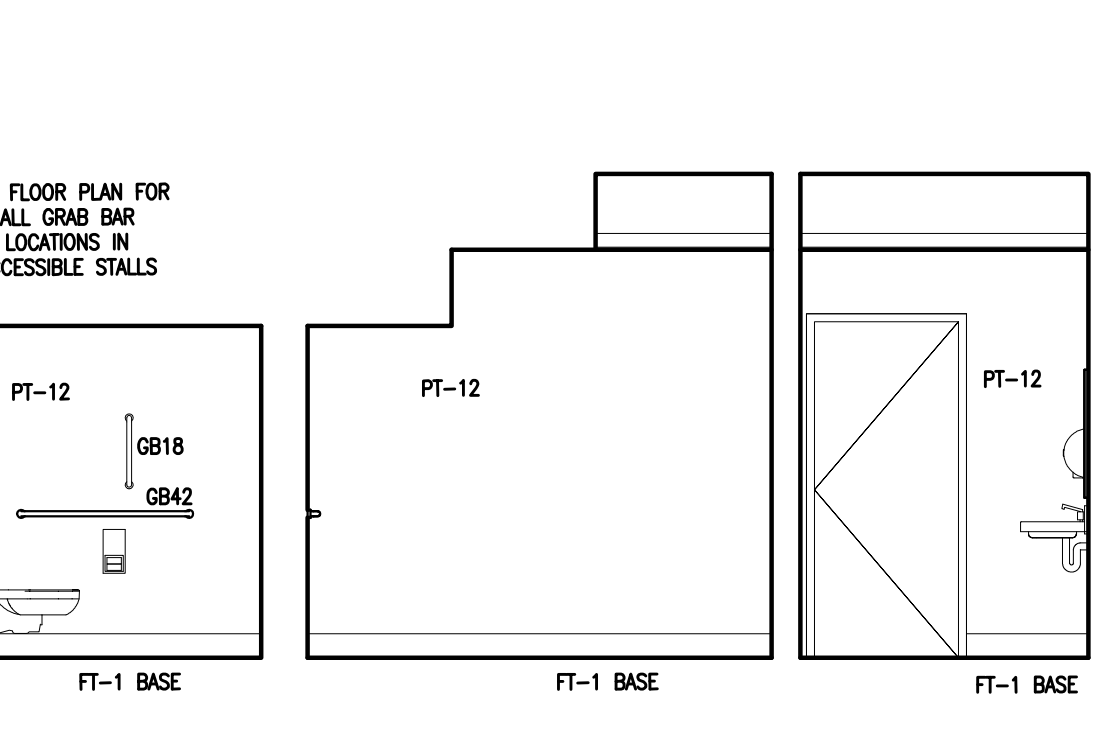
2 INTERIOR ELEVATION
1/4" = 1'-0"



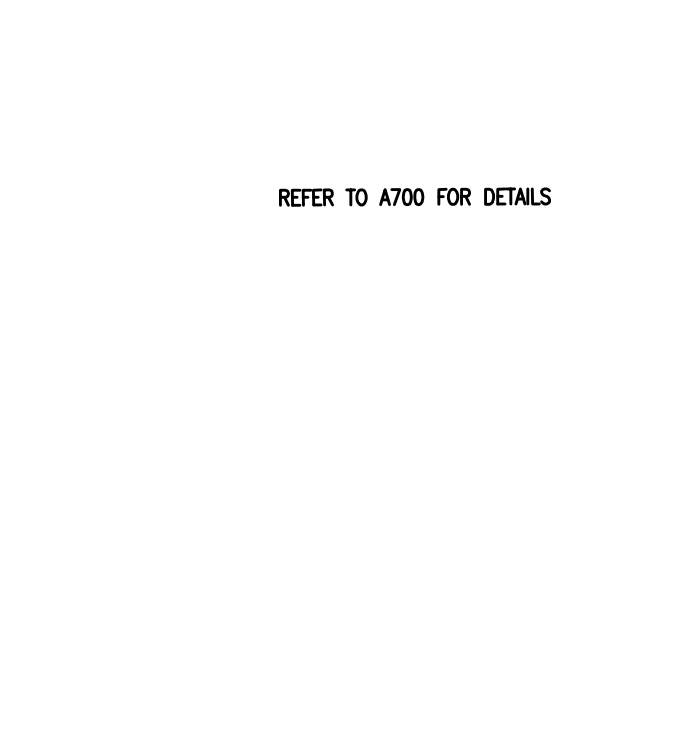
3 INTERIOR ELEVATION
1/4" = 1'-0"



4 INTERIOR ELEVATION
1/4" = 1'-0"



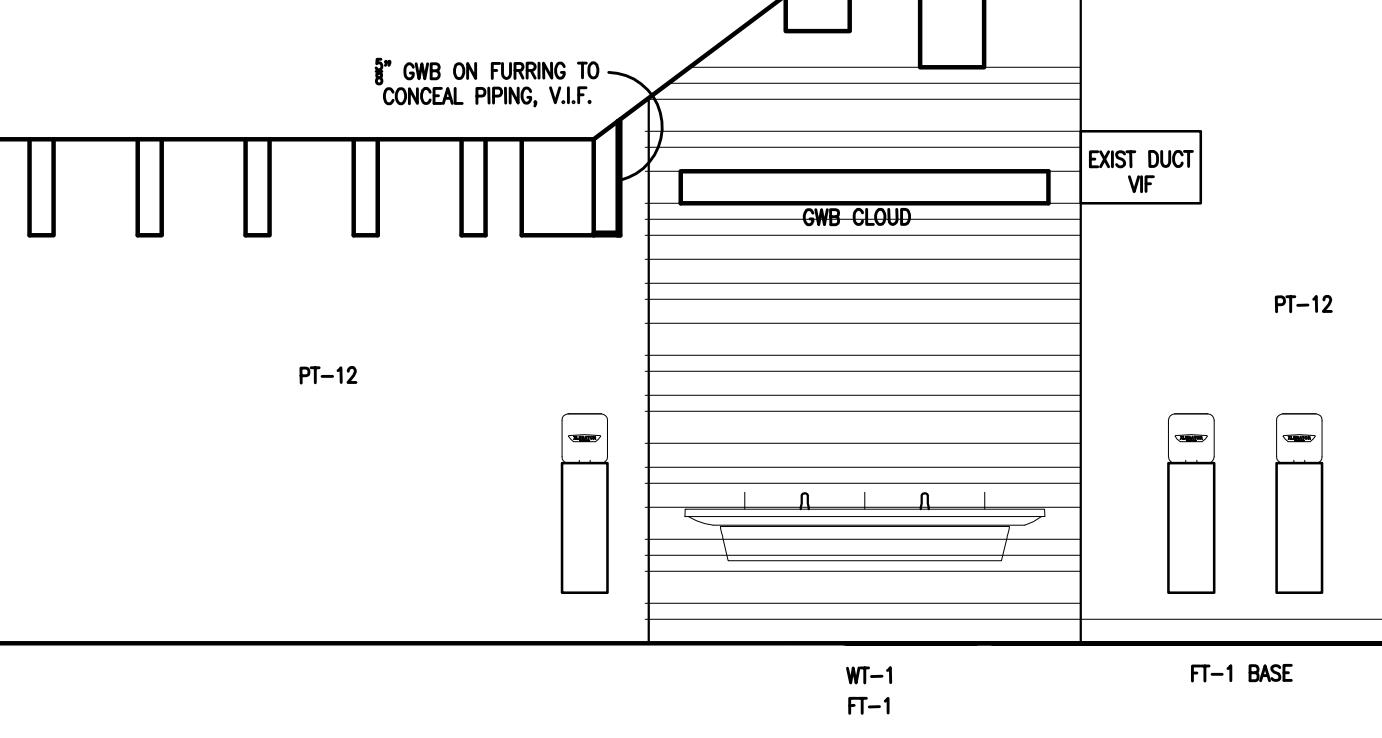
5 INTERIOR ELEVATION
1/4" = 1'-0"



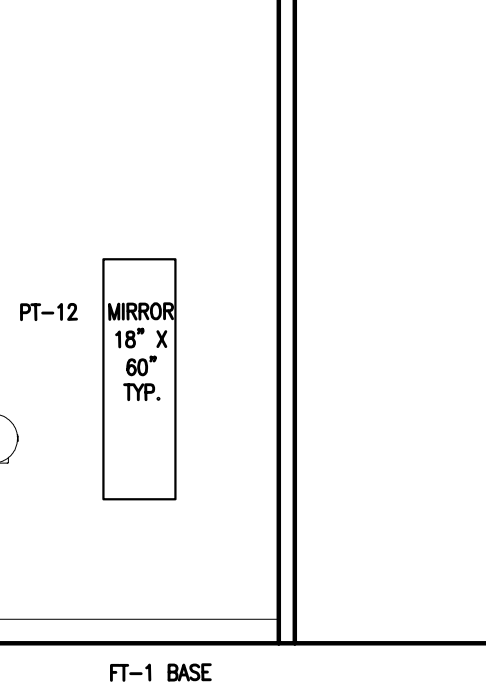
6 INTERIOR ELEVATION
1/4" = 1'-0"



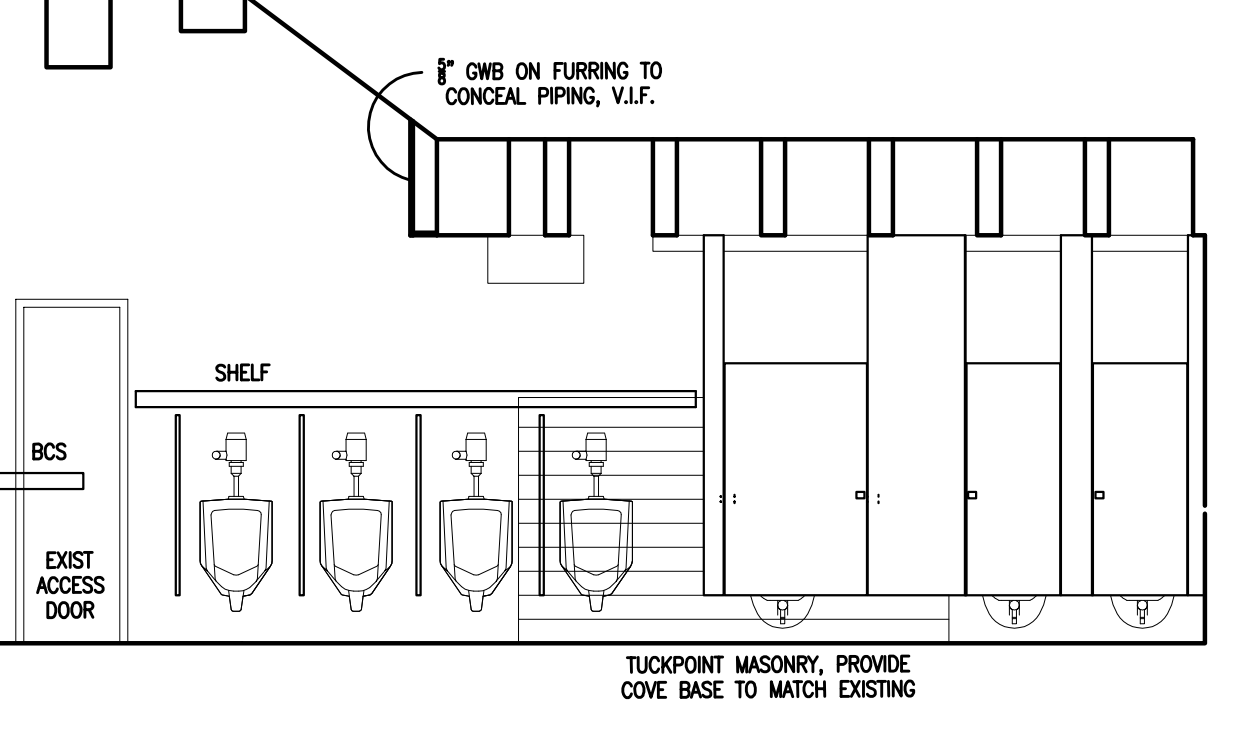
7 INTERIOR ELEVATION
1/4" = 1'-0"



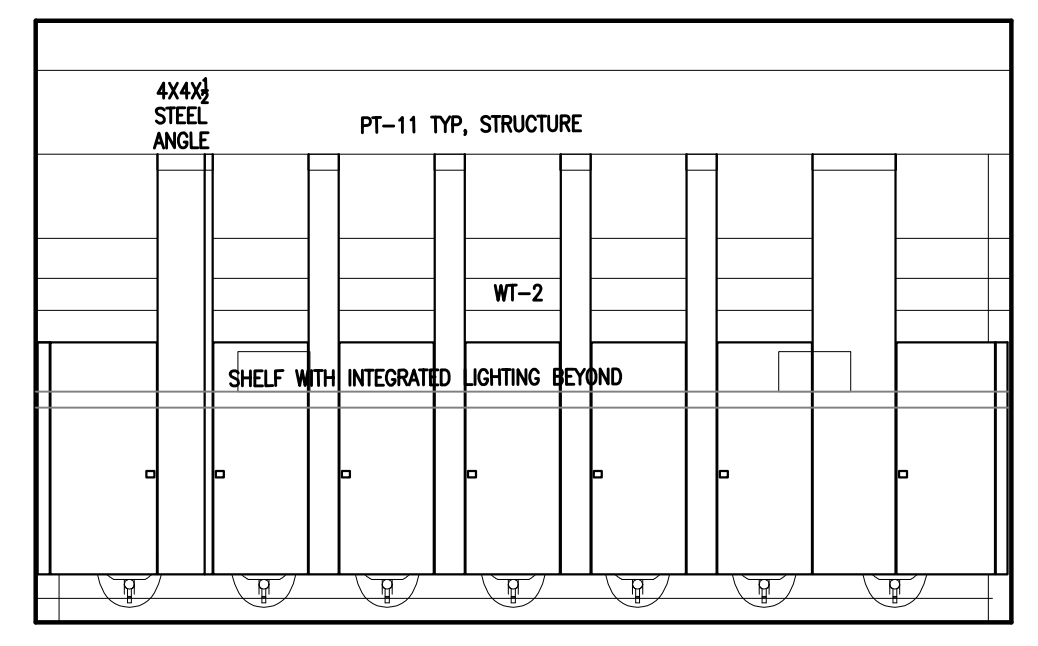
8 INTERIOR ELEVATION
1/4" = 1'-0"



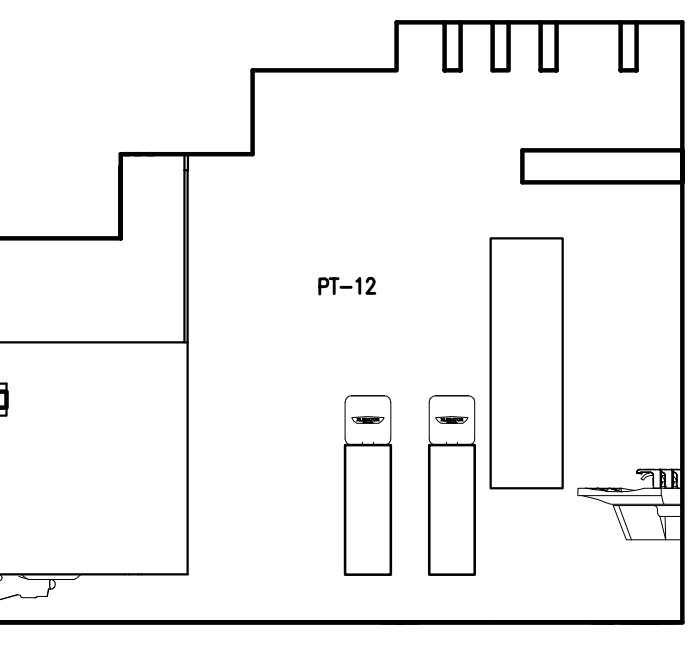
9 INTERIOR ELEVATION
1/4" = 1'-0"



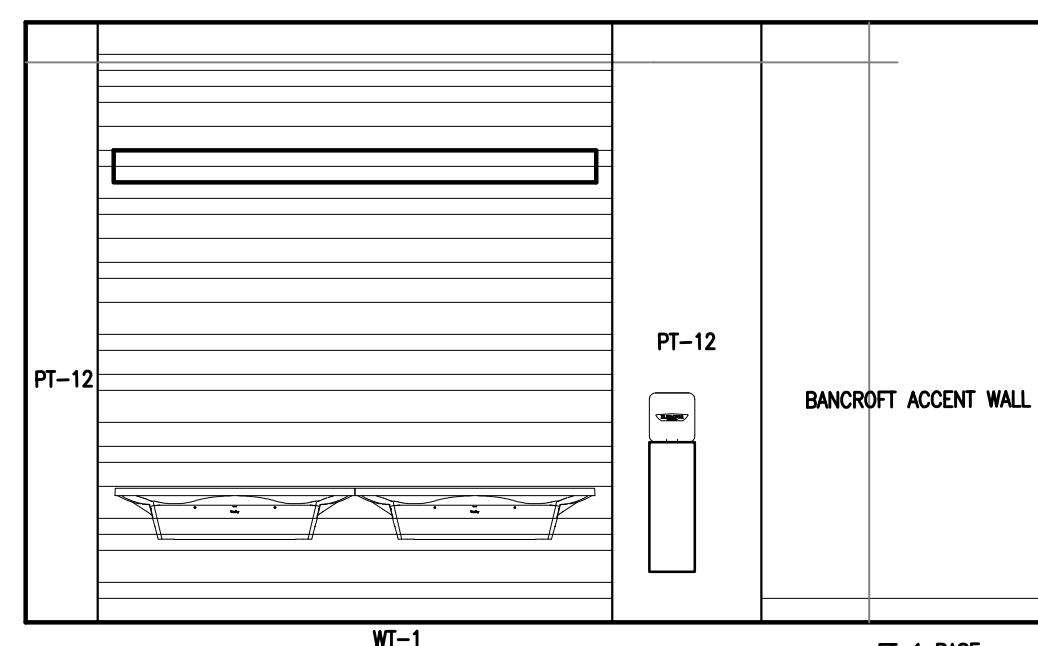
10 INTERIOR ELEVATION
1/4" = 1'-0"



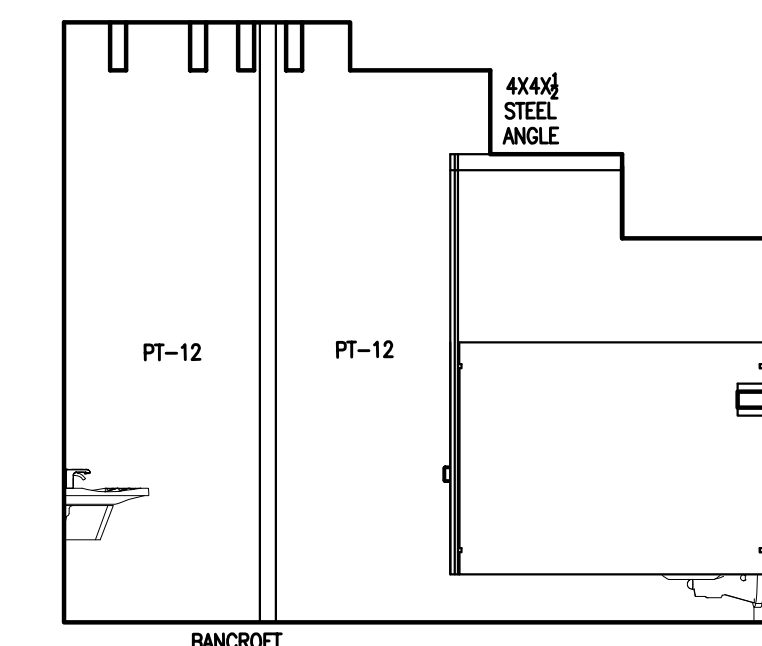
13 INTERIOR ELEVATION
1/4" = 1'-0"



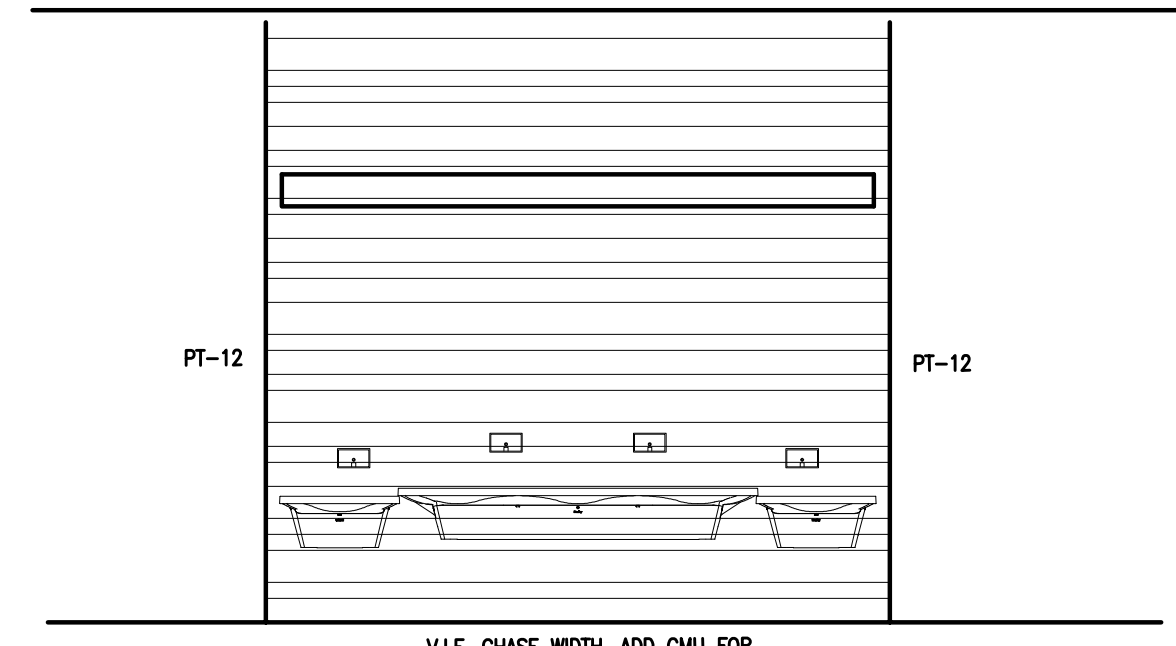
14 INTERIOR ELEVATION
1/4" = 1'-0"



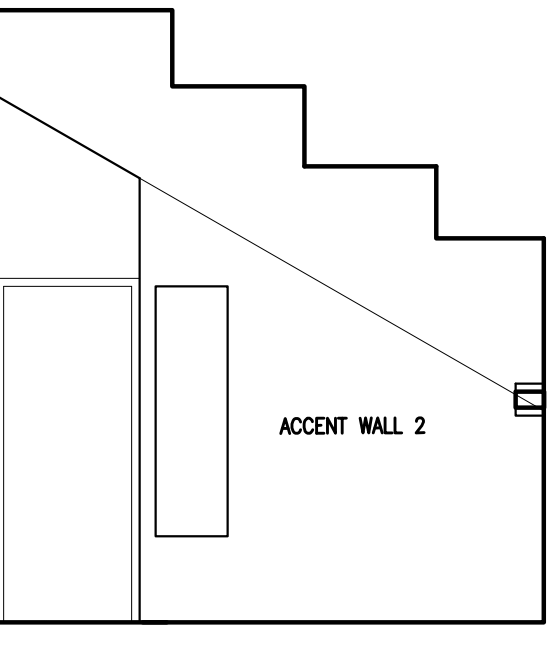
15 INTERIOR ELEVATION
1/4" = 1'-0"



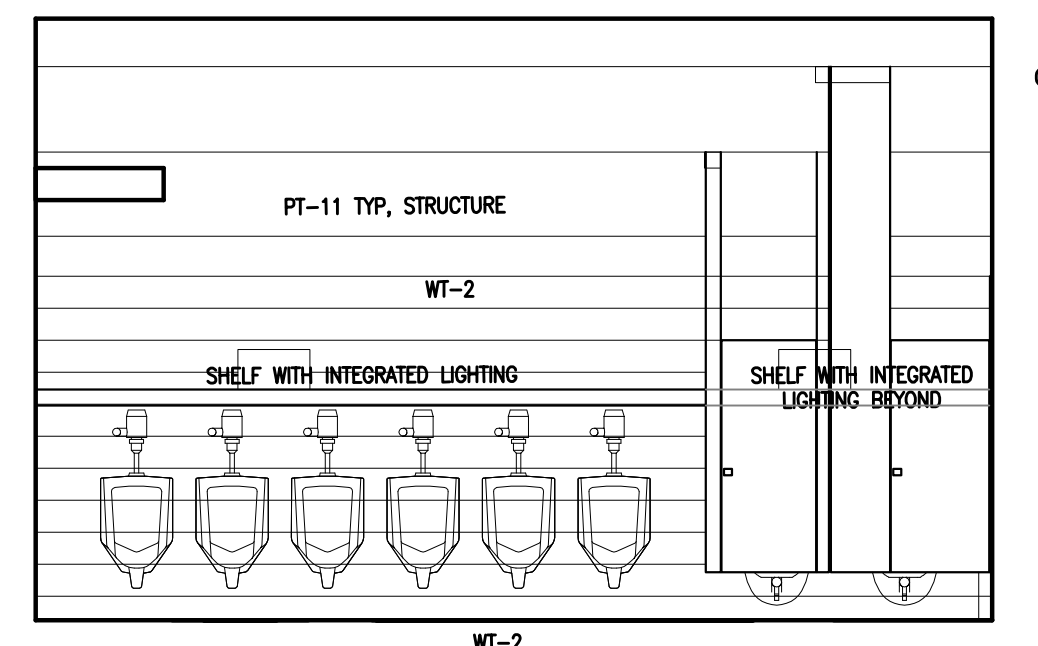
16 INTERIOR ELEVATION
1/4" = 1'-0"



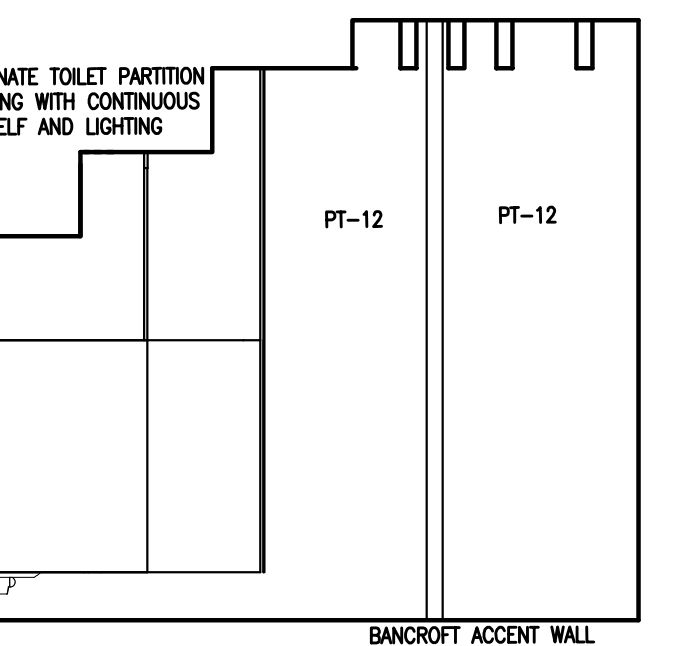
17 INTERIOR ELEVATION
1/4" = 1'-0"



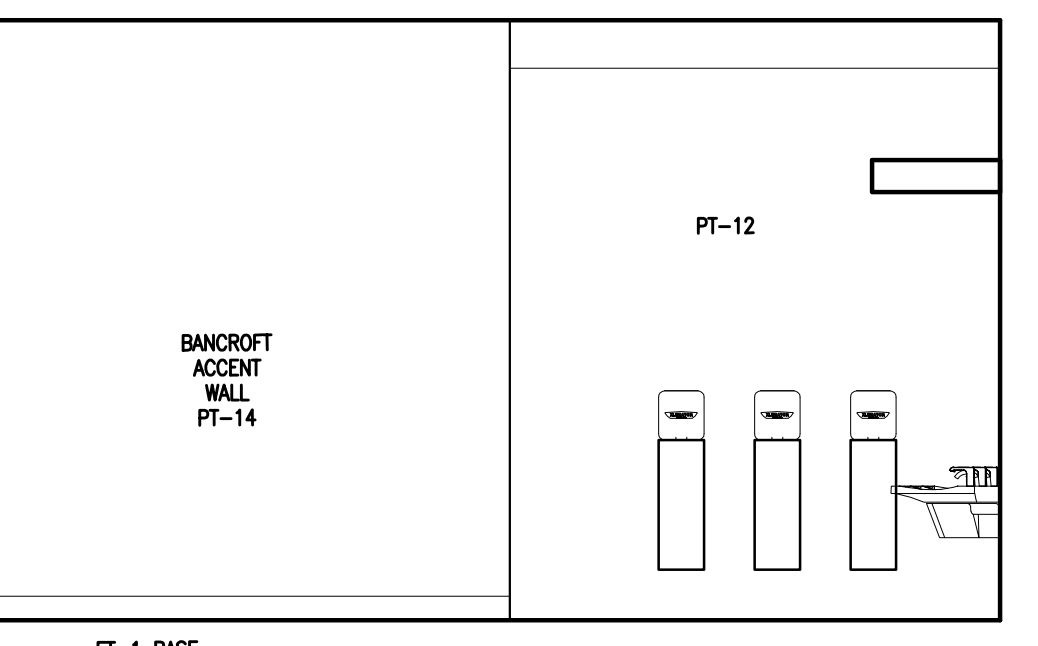
18 INTERIOR ELEVATION
1/4" = 1'-0"



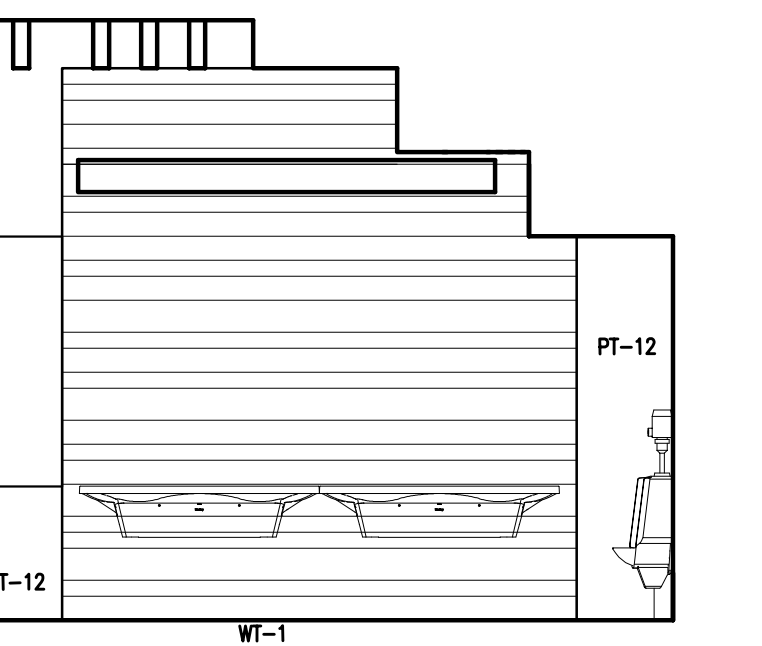
20 INTERIOR ELEVATION
1/4" = 1'-0"



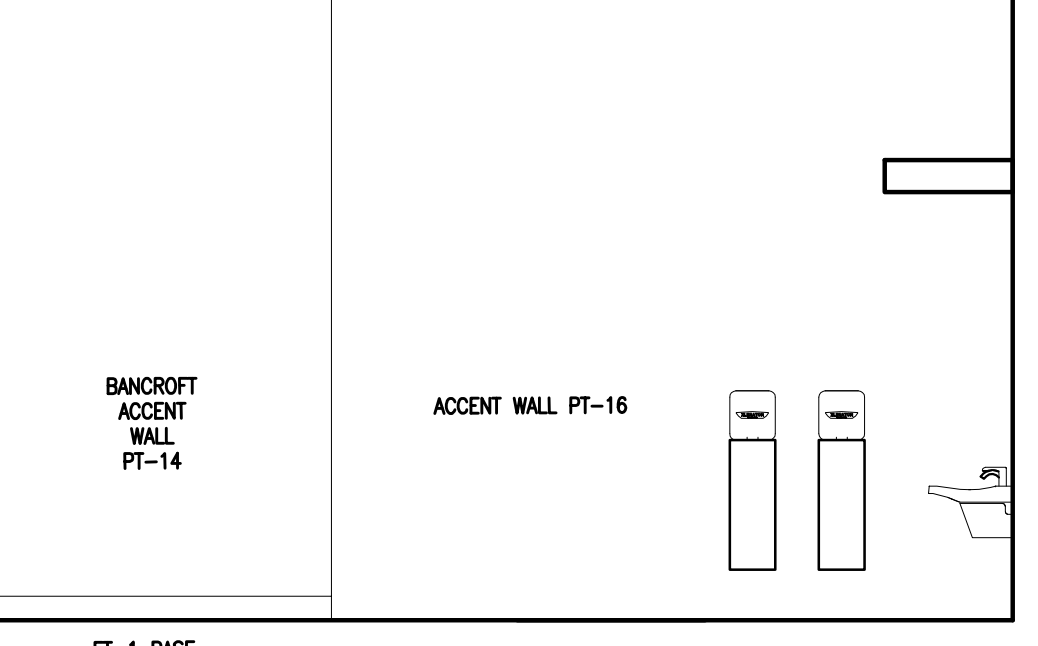
21 INTERIOR ELEVATION
1/4" = 1'-0"



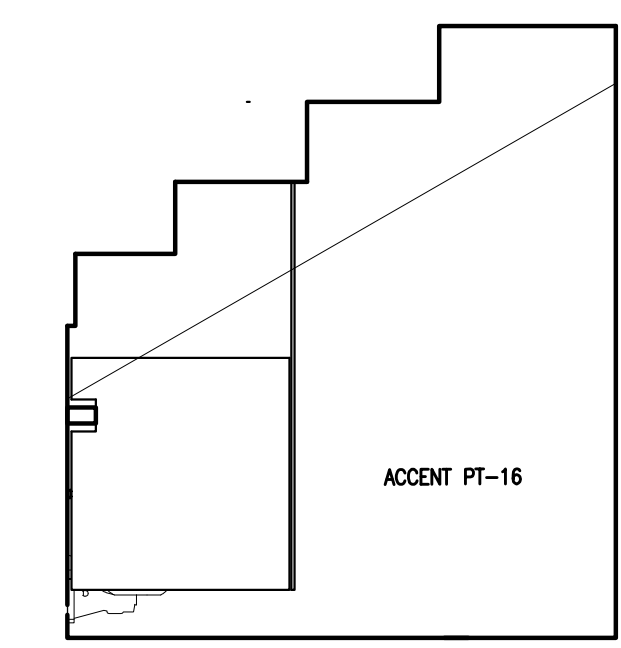
22 INTERIOR ELEVATION
1/4" = 1'-0"



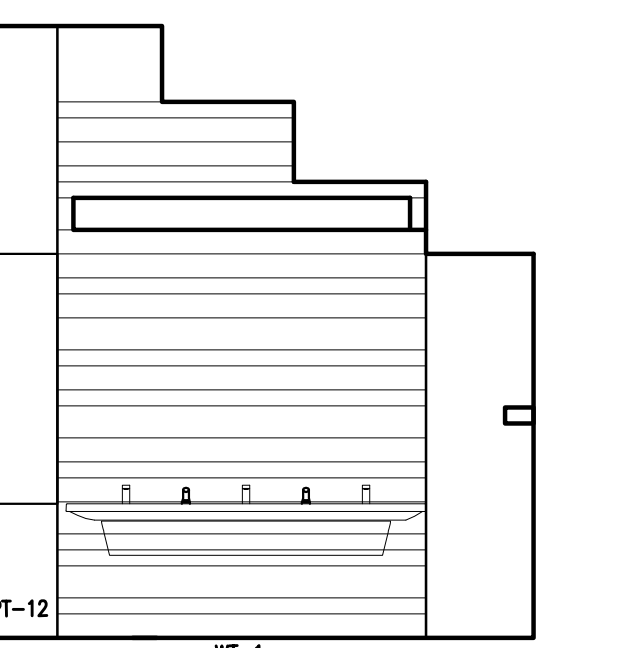
23 INTERIOR ELEVATION
1/4" = 1'-0"



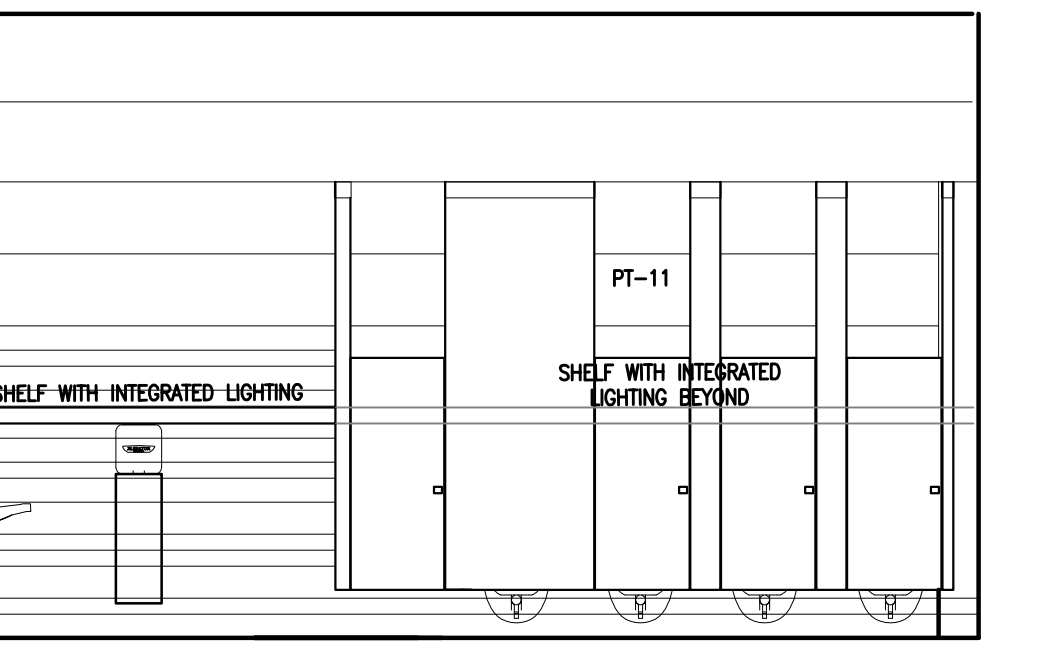
24 INTERIOR ELEVATION
1/4" = 1'-0"



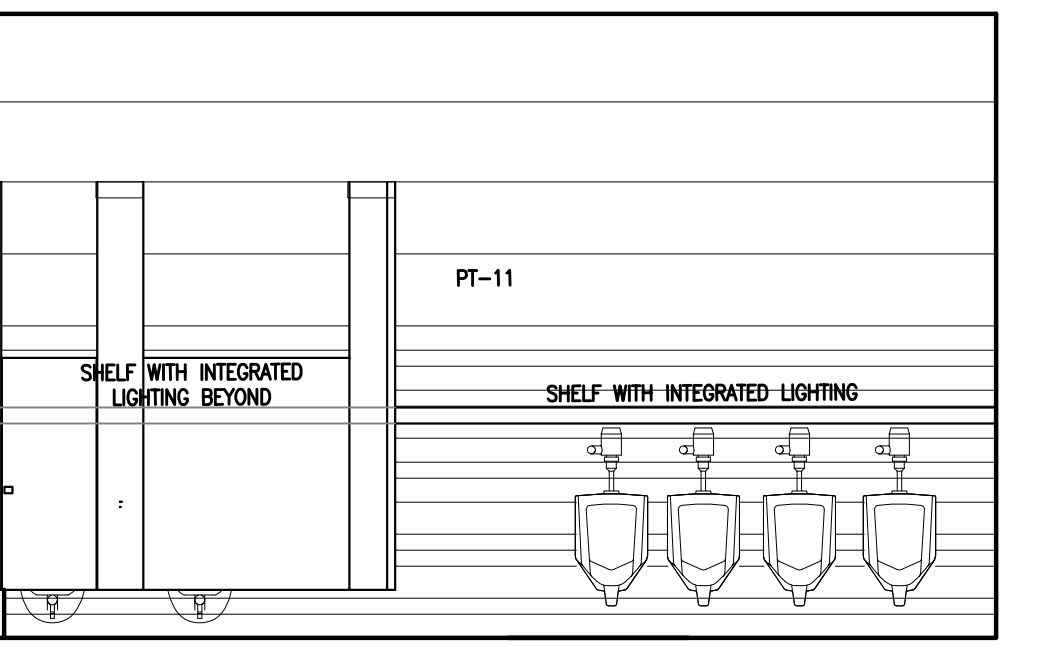
26 INTERIOR ELEVATION
1/4" = 1'-0"



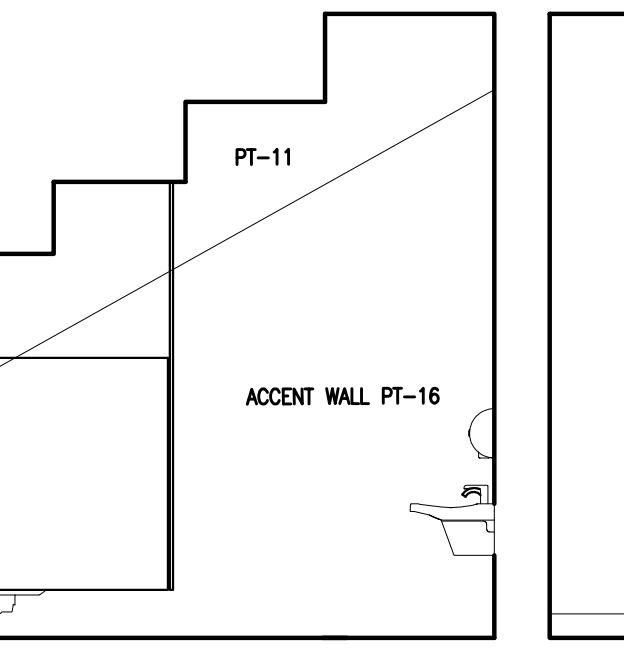
27 INTERIOR ELEVATION
1/4" = 1'-0"



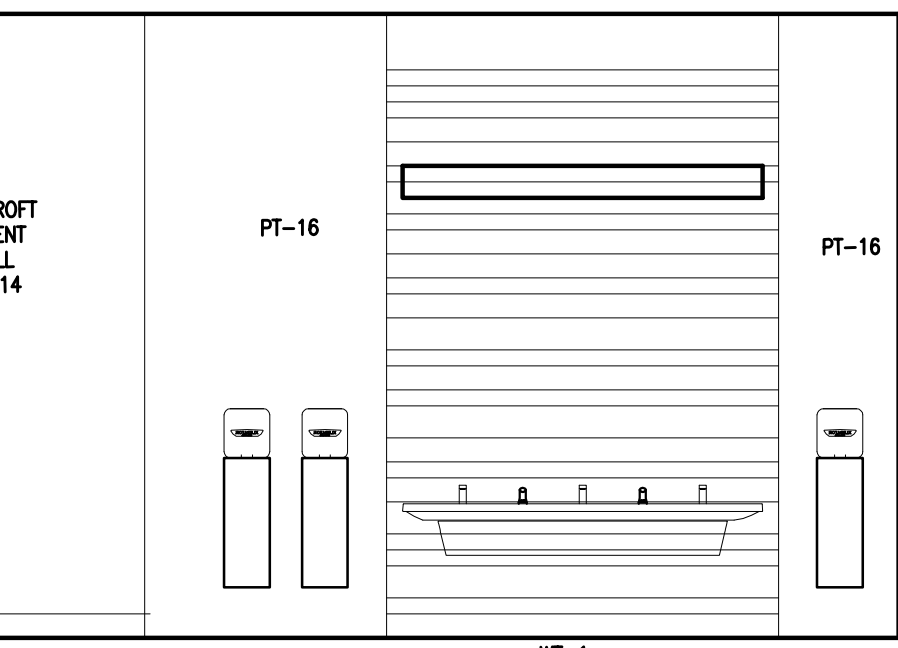
28 INTERIOR ELEVATION
1/4" = 1'-0"



29 INTERIOR ELEVATION
1/4" = 1'-0"



30 INTERIOR ELEVATION
1/4" = 1'-0"



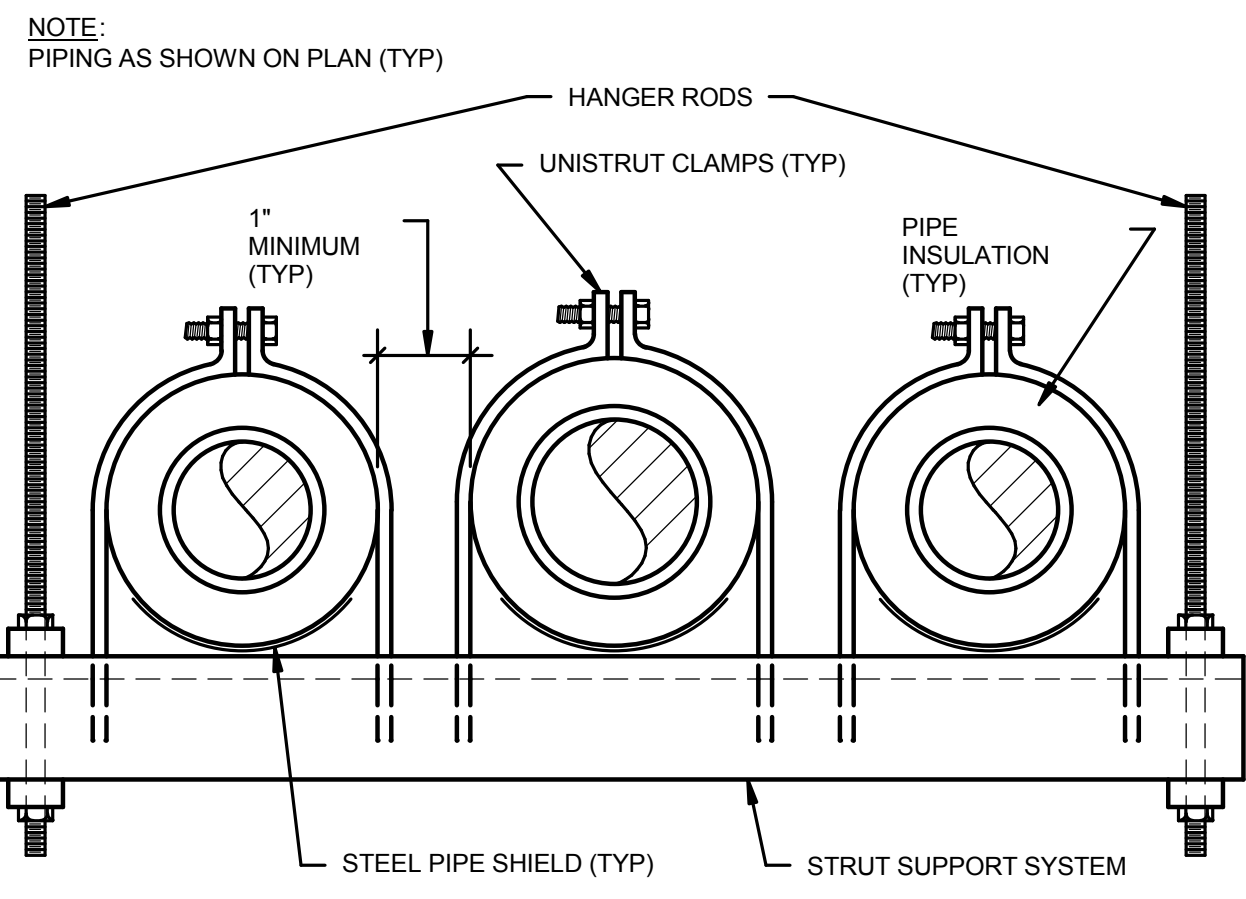
31 INTERIOR ELEVATION
1/4" = 1'-0"

PROJECT
COLISEUM RESTROOM
UPGRADES
ALLIANT ENERGY CENTER
1919 ALLIANT ENERGY
CENTER WAY
MADISON, WISCONSIN

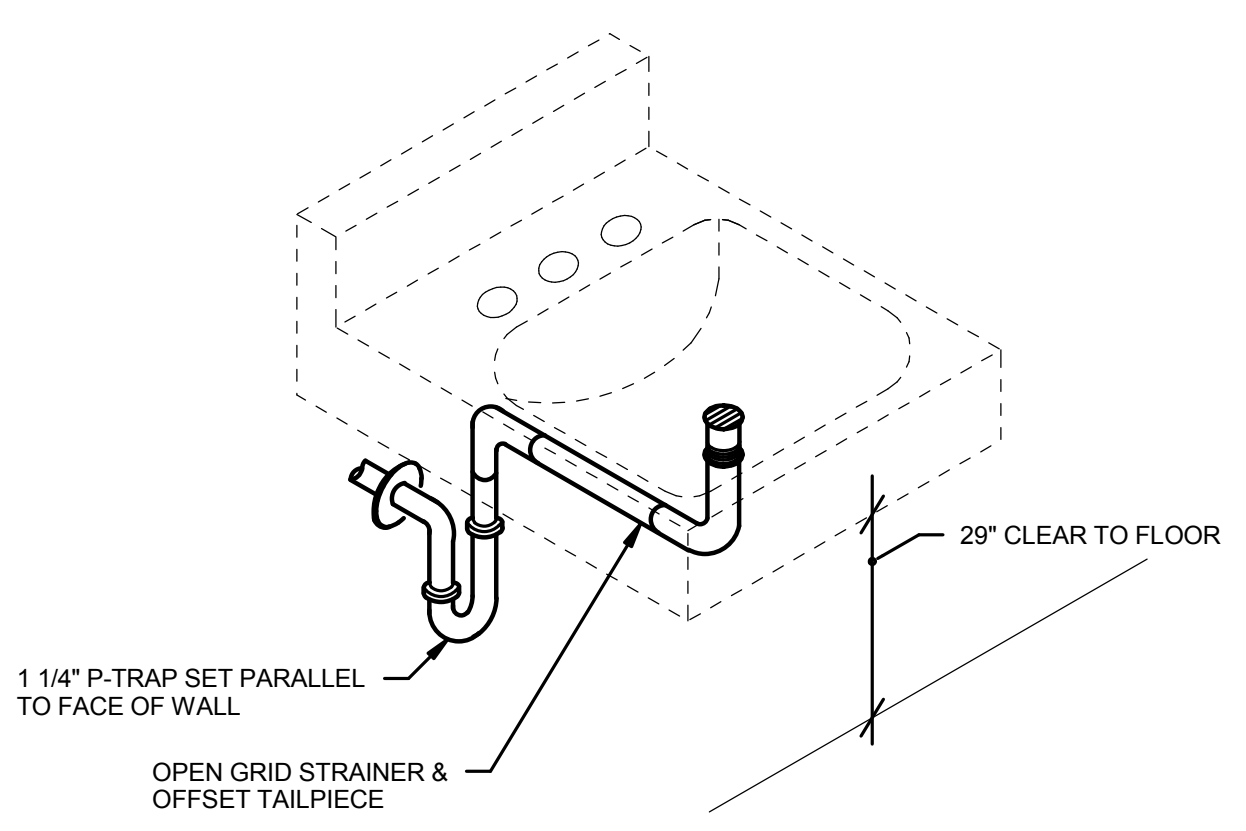
DRAWING
INTERIOR ELEVATIONS

DATE
03.28.17

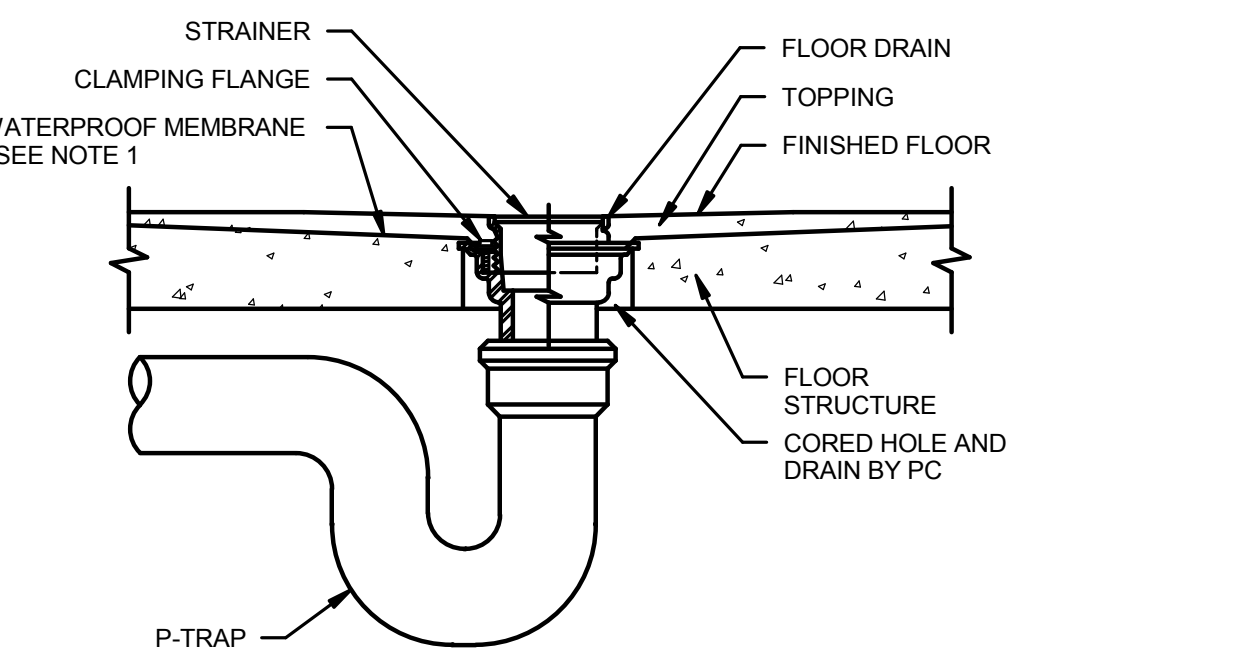
A800



1
P000 SCALE: NONE
TRAPEZE HANGER DETAIL



2
P000 SCALE: NONE
BARRIER FREE LAVATORY DETAIL



NOTES:
1. WATERPROOF MEMBRANE (SAFING) AS SPECIFIED IN PLUMBING SPECIFICATIONS, IS REQUIRED ON ALL ABOVE GRADE FLOOR DRAINS. SPRAY ON TYPE WATERPROOFING IS NOT ACCEPTABLE. PC TO COORDINATE WITH GC.

3
P000 SCALE: NONE
FLOOR DRAIN DETAIL (ALTERNATE 'B')

PLUMBING FIXTURE SCHEDULE

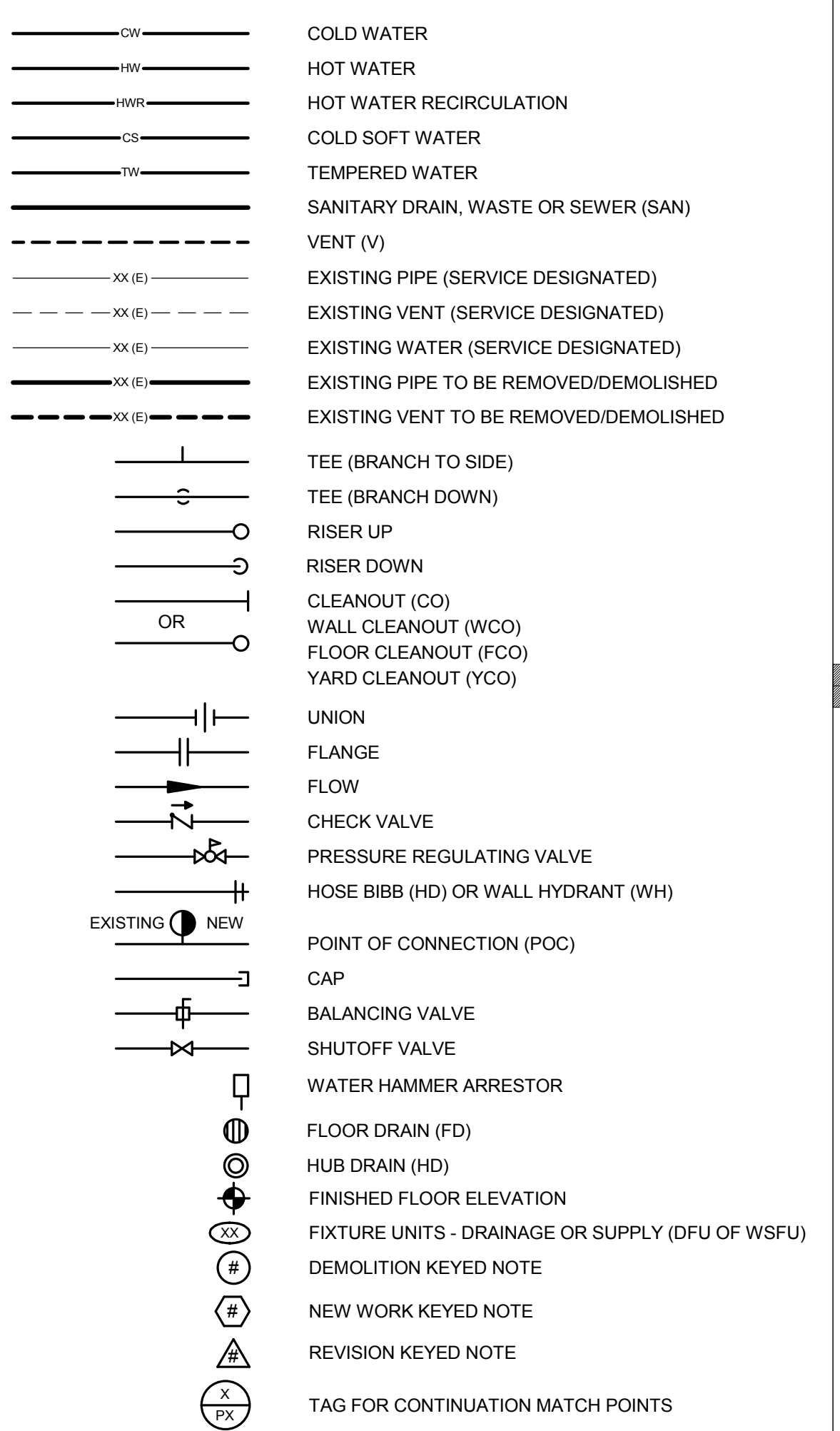
REFER TO SPECIFICATION SECTION 22 40 00 FOR ACCEPTABLE EQUAL MANUFACTURERS

ID	FIXTURE	WASTE			WATER				DETAIL/SHEET	DESCRIPTION/REMARKS
		DFU	TRAP	VENT (MIN)	COLD		HOT			
					CWFU	SIZE	HWFU	SIZE		
DF-1	DRINKING FOUNTAIN	0.5	1 1/4"	1 1/2"	0.25	1/2"	---	---	---	FIXTURE: HALSEY TAYLOR OVL-II ESBP BI LEVEL BARRIER FREE FOUNTAIN. CONTOUR FORMED BASINS WITH ROUNDED CORNERS. ADA COMPLIANT. TRAP: CHROME PLATED CAST BRASS P-TRAP. FIXTURE SUPPORT: SEE MANUFACTURER'S WRITTEN INSTRUCTIONS FOR SUPPORT BACKING. STOPS & SUPPLIES: McGUIRE H2167LK, LOOSE KEY QUARTER TURN ANGLE STOPS WITH CHROME PLATED ESCUTCHEONS & CHROME PLATED COPPER RISER SUPPLIES.
L-1	LAVATORY (ADA COMPLIANT) (PER FAUCET)	1	1 1/4"	1 1/2"	0.5	1/2"	0.5	1/2"	2/P000	FIXTURE: BRADLEY VERGE LVSD1 WASH BASIN, WITH SHROUD, ADA COMPLIANT. FAUCET: KOHLER SCULPTED INSIGHT K-13463 ELECTRONIC FAUCET, 0.5 GPM AERATOR, SINGLE HOLE MOUNTING, CHROME FINISH, SENSOR OPERATED, ELECTRONIC POWERED, POWER SUPPLY SEPARATE. TRAP & DRAIN: PRE-WRAPPED OFFSET DRAIN & P-TRAP, WITH GRID STRAINER DRAIN. STOPS & SUPPLIES: McGUIRE H2167LK, LOOSE KEY QUARTER TURN ANGLE STOPS WITH CHROME PLATED ESCUTCHEONS & CHROME PLATED COPPER RISER SUPPLIES.
L-2	LAVATORY (ADA COMPLIANT) (PER FAUCET)	1	1 1/4"	1 1/2"	0.5	1/2"	0.5	1/2"	2/P000	FIXTURE: BRADLEY VERGE LVSD2 WASH BASIN, WITH SHROUD, ADA COMPLIANT. FAUCET: TWO (2) KOHLER SCULPTED INSIGHT K-13463 ELECTRONIC FAUCET, 0.5 GPM AERATOR, SINGLE HOLE MOUNTING, CHROME FINISH, SENSOR OPERATED, ELECTRONIC POWERED, POWER SUPPLY SEPARATE. TRAP & DRAIN: TWO (2) SETS OF PRE-WRAPPED OFFSET DRAIN & P-TRAP, WITH GRID STRAINER DRAIN. STOPS & SUPPLIES: TWO (2) SETS OF McGUIRE H2167LK, LOOSE KEY QUARTER TURN ANGLE STOPS WITH CHROME PLATED ESCUTCHEONS & CHROME PLATED COPPER RISER SUPPLIES.
L-3	LAVATORY (ADA COMPLIANT) (PER FAUCET)	1	1 1/4"	1 1/2"	0.5	1/2"	0.5	1/2"	2/P000	FIXTURE: BRADLEY VERGE LVSD3 WASH BASIN, ADA COMPLIANT. FAUCET: THREE (3) KOHLER SCULPTED INSIGHT K-13463 ELECTRONIC FAUCET, 0.5 GPM AERATOR, SINGLE HOLE MOUNTING, CHROME FINISH, SENSOR OPERATED, ELECTRONIC POWERED, POWER SUPPLY SEPARATE. TRAP & DRAIN: THREE (3) SETS OF PRE-WRAPPED OFFSET DRAIN & P-TRAP, WITH GRID STRAINER DRAIN. STOPS & SUPPLIES: THREE (3) SETS OF McGUIRE H2167LK, LOOSE KEY QUARTER TURN ANGLE STOPS WITH CHROME PLATED ESCUTCHEONS & CHROME PLATED COPPER RISER SUPPLIES.
L-4	LAVATORY (ADA COMPLIANT)	1	1 1/4"	1 1/2"	0.5	1/2"	0.5	1/2"	2/P000	FIXTURE: KOHLER BRENHAM WALL MOUNTED LAVATORY SINK, K-1997-1, WHITE VITREOUS CHINA, DRILLED FOR CONCEALED ARM CARRIER, WITH OVERFLOW, ADA COMPLIANT. FAUCET: KOHLER SCULPTED INSIGHT K-13463 ELECTRONIC FAUCET, 0.5 GPM AERATOR, SINGLE HOLE MOUNTING, CHROME FINISH, SENSOR OPERATED, ELECTRONIC POWERED, POWER SUPPLY SEPARATE. TRAP & DRAIN: PRE-WRAPPED OFFSET DRAIN & P-TRAP, WITH GRID STRAINER DRAIN. STOPS & SUPPLIES: McGUIRE H2167LK, LOOSE KEY QUARTER TURN ANGLE STOPS WITH CHROME PLATED ESCUTCHEONS & CHROME PLATED COPPER RISER SUPPLIES.
UR-1	URINAL (STANDARD)	2	2"	1 1/2"	2	3/4"	---	---	---	FIXTURE: KOHLER BARDON K-4904-ET VITREOUS CHINA URINAL, WALL MOUNTED, WASHOUT, 3/4" TOP SPUD, 0.5 GPF, 2" REAR OUTLET, STANDARD HEIGHT. FLUSH VALVE: KOHLER K-13519 0.5 URINAL FLUSH VALVE, MANUAL OPERATION, 3/4" TOP SPUD, CHROME FINISH, ADA COMPLIANT. SUPPORT: COMMERCIAL GRADE, WALL HUNG URINAL SUPPORT, STEEL STANCHIONS, IRON WELDED FEET, STEEL SLEEVES, FASTEN TO FLOOR.
UR-2	URINAL (ADA HEIGHT)	2	2"	1 1/2"	2	3/4"	---	---	---	FIXTURE: KOHLER BARDON K-4904-ET, WALL MOUNTED URINAL, WHITE VITREOUS CHINA, 0.5 GPF, WASHOUT, 3/4" TOP SPUD, 2" REAR OUTLET, ADA HEIGHT. FLUSH VALVE: KOHLER K-13519 0.5 URINAL FLUSH VALVE, MANUAL OPERATION, 3/4" TOP SPUD, CHROME FINISH, ADA COMPLIANT. SUPPORT: COMMERCIAL GRADE, WALL HUNG URINAL SUPPORT, STEEL STANCHIONS, IRON WELDED FEET, STEEL SLEEVES, FASTEN TO FLOOR.
WC-1	WATER CLOSET	6	4"	2"	6.5	1 1/2"	---	---	---	FIXTURE: KOHLER KINGSTON K-4325 WATER CLOSET, 1.6 GPF, WHITE VITREOUS CHINA, WALL MOUNT, 1 1/2" TOP SPUD, ELONGATED BOWL, STANDARD HEIGHT. FLUSH VALVE: KOHLER K-13516-CP 1.6 GPF WC FLUSH VALVE, MANUAL OPERATION, 1 1/2" TOP SPUD, CHROME FINISH, ADA COMPLIANT. SEAT: KOHLER LUSTRA K-4670-CA, OPEN FRONT TOILET SEAT, WITH ANTI-MICROBIAL AGENT. SUPPORT: COMMERCIAL GRADE, WALL HUNG WATER CLOSET SUPPORT, STEEL STANCHIONS, IRON WELDED FEET, STEEL SLEEVES, FASTEN TO FLOOR.
WC-2	WATER CLOSET (ADA HEIGHT)	6	4"	2"	6.5	1 1/2"	---	---	---	FIXTURE: KOHLER KINGSTON K-4325 WATER CLOSET, 1.6 GPF, WHITE VITREOUS CHINA, WALL MOUNT, 1 1/2" TOP SPUD, ELONGATED BOWL, ADA HEIGHT. FLUSH VALVE: KOHLER K-13516-CP 1.6 GPF WC FLUSH VALVE, MANUAL OPERATION, 1 1/2" TOP SPUD, CHROME FINISH, ADA COMPLIANT. SEAT: KOHLER LUSTRA K-4670-CA, OPEN FRONT TOILET SEAT, WITH ANTI-MICROBIAL AGENT. SUPPORT: COMMERCIAL GRADE, WALL HUNG WATER CLOSET SUPPORT, STEEL STANCHIONS, IRON WELDED FEET, STEEL SLEEVES, FASTEN TO FLOOR.
WC-3	WATER CLOSET (ADA HEIGHT)	6	4"	2"	3	3/4"	---	---	---	FIXTURE: KOHLER HIGHLINE K-3611, FLOOR MOUNTED WATER CLOSET, 1.6 GPF, TANK TYPE, WHITE VITREOUS CHINA, ELONGATED BOWL, ADA HEIGHT. SEAT: KOHLER LUSTRA K-4670-CA, OPEN FRONT TOILET SEAT, INJECTION MOLDED, WITH ANTI-MICROBIAL AGENT. STOPS & SUPPLIES: McGUIRE H2167LK, LOOSE KEY QUARTER TURN ANGLE STOPS WITH CHROME PLATED ESCUTCHEONS & CHROME PLATED COPPER RISER SUPPLIES.

PLUMBING DRAIN & CLEANOUT SCHEDULE

ID	FIXTURE	WASTE			DETAIL/SHEET	DESCRIPTION/REMARKS
		DFU	TRAP	VENT		
FD-1	FLOOR DRAIN (ALTERNATE BID 'B')	3	3"	1-1/2"	3/P000	FIXTURE: ZURN ZN415-B, CAST IRON BODY, 6" DIAMETER NICKEL BRONZE "TYPE B" STRAINER, COMBINATION INVERTIBLE MEMBRANE CLAMP, AND ADJUSTABLE COLLAR.
FCO	FLOOR CLEANOUT	---	---	---	---	FINISHED AREAS WITH HARD FLOORS: ZURN ZN1400-BP, CAST IRON, ADJUSTABLE FLOOR CLEANOUT WITH NICKEL BRONZE TOP AND BRONZE PLUG.
WCO	WALL CLEANOUT	---	---	---	---	FIXTURE: ZURN ZS1468, POLISHED STAINLESS STEEL, ROUND ACCESS COVER, SECURING SCREW & BRONZE RAISED HEX HEAD PLUG. VERIFY LENGTH OF SCREW REQUIRED WITH WALL CONSTRUCTION.

PLUMBING LEGEND



ABBREVIATIONS

CO	CLEANOUT
CS	COLD SOFT WATER
CW	COLD WATER
DF	DRINKING FOUNTAIN
E	EXISTING
FCO	FLOOR CLEANOUT
FD	FLOOR DRAIN
GC	GENERAL CONTRACTOR
HB	HOSE BIBB
HW	HOT WATER
HWR	HOT WATER RECIRCULATION
IE	INVERT ELEVATION
L	LAVATORY
MB	MOP BASIN
MH	MANHOLE
PC	PLUMBING CONTRACTOR
S	SINK
SAN	SANITARY
TMV	THERMOSTATIC MIXING VALVE
TW	TEMPERED WATER
UR	URINAL
V	VENT
VTR	VENT THRU ROOF
W	DOMESTIC WATER SERVICE
WC	WATER CLOSET
WCO	WALL CLEAN OUT
WF	WASH FOUNTAIN
WHA	WATER HAMMER ARRESTOR

PLUMBING SHEET INDEX

P000	SYMBOLS, ABBREVIATIONS, SCHEDULES, AND DETAILS - PLUMBING
P001	AREA PLAN - PLUMBING
P101-1	ARENA LEVEL UNDERFLOOR PLAN - PLUMBING
P201-1	ARENA LEVEL PLAN - PLUMBING
P202-1	MAIN CONCOURSE LEVEL PLAN - PLUMBING
P203-1	SECOND LEVEL CONCOURSE PLAN - PLUMBING
P203-2	SECOND LEVEL CONCOURSE PLAN - PLUMBING
P203-3	SECOND LEVEL CONCOURSE PLAN - PLUMBING
P203-4	SECOND LEVEL CONCOURSE PLAN - PLUMBING
P300	ISOMETRICS - PLUMBING
P301	ISOMETRICS - PLUMBING
P302	ISOMETRICS - PLUMBING
P303	ISOMETRICS - PLUMBING
P304	ISOMETRICS - PLUMBING
P305	ISOMETRICS - PLUMBING

JDR
ENGINEERING, INC.
5525 NOBEL DRIVE
SUITE 110
MADISON, WI 53711
PH: 608.277.1728 FAX: 608.271.7046
JDR PROJECT NO. 170007

ISSUED

PROJECT

COLISEUM RESTROOM
UPGRADES
ALLIANT ENERGY CENTER
1919 ALLIANT ENERGY
CENTER WAY
MADISON, WISCONSIN

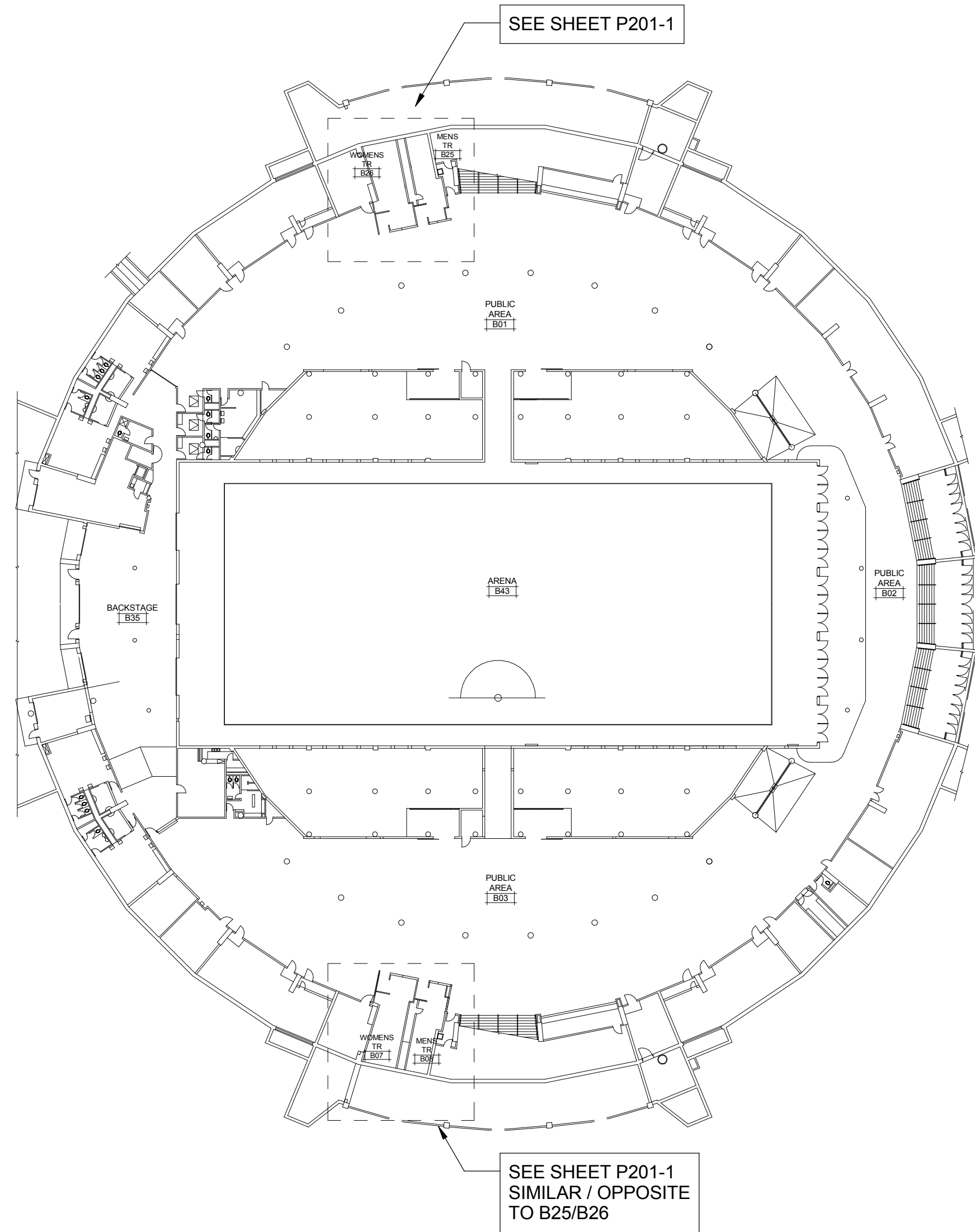
DRAWING

AREA PLAN -
PLUMBING

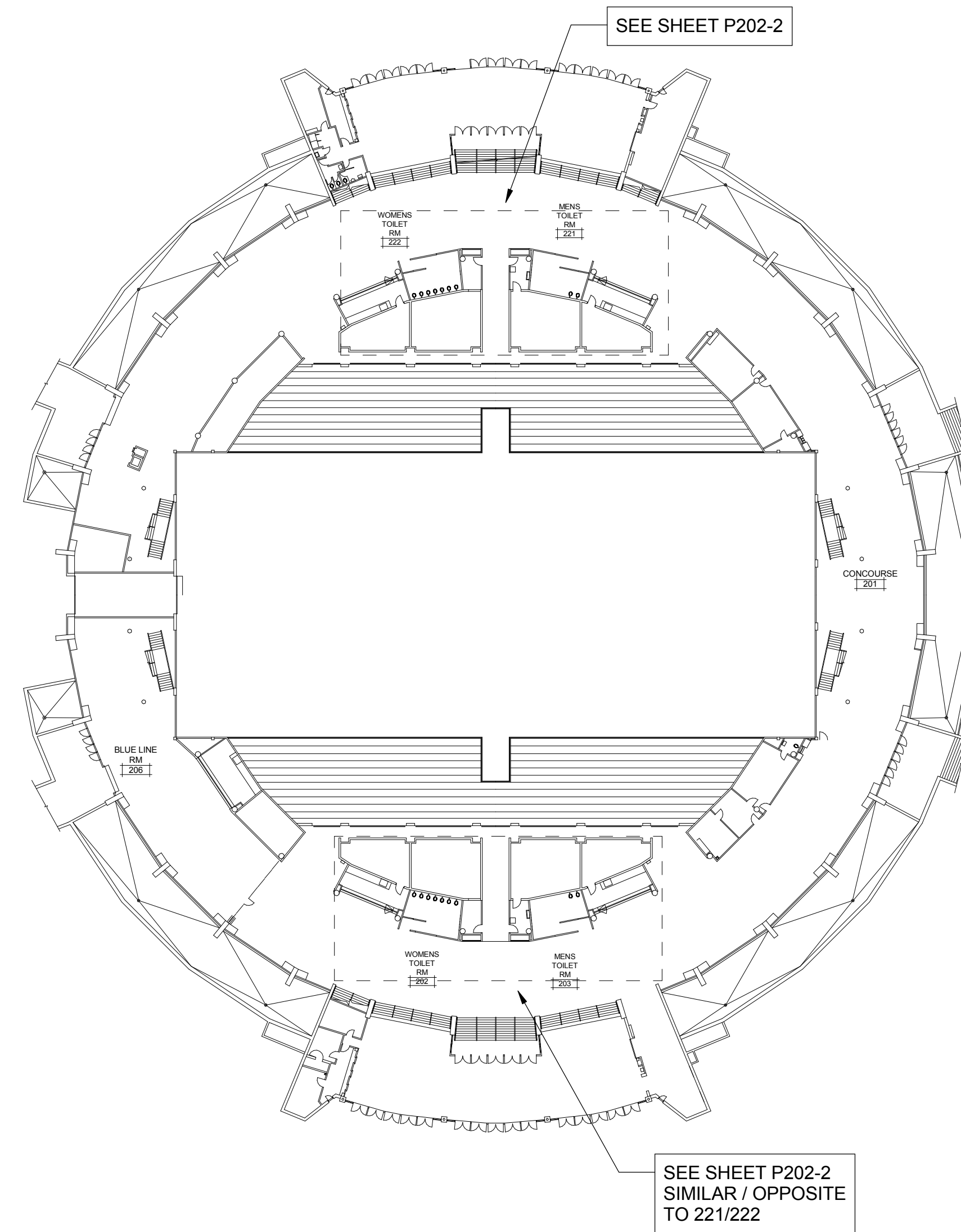
DATE

03.28.17

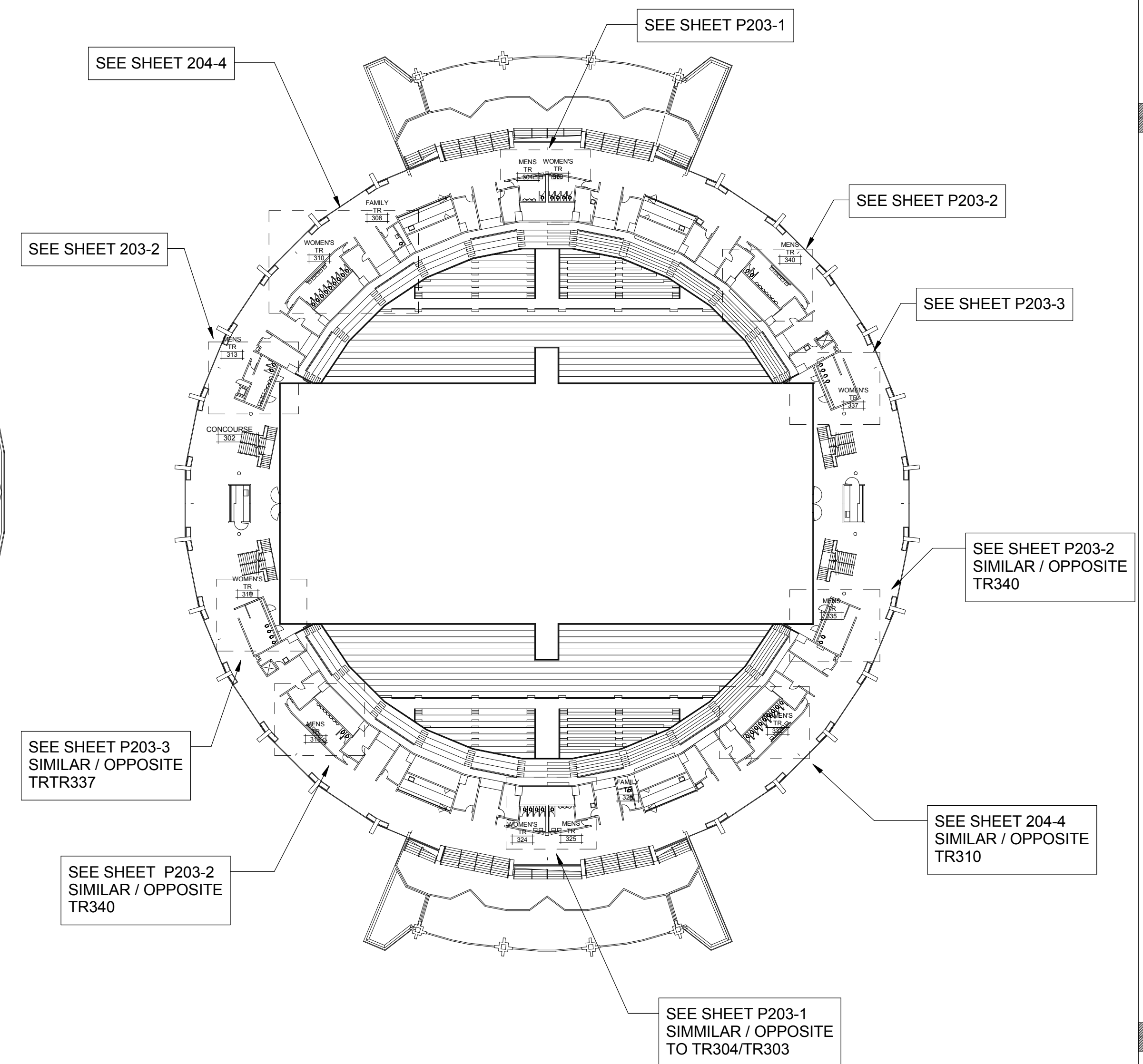
P001



ARENA LEVEL AREA PLAN



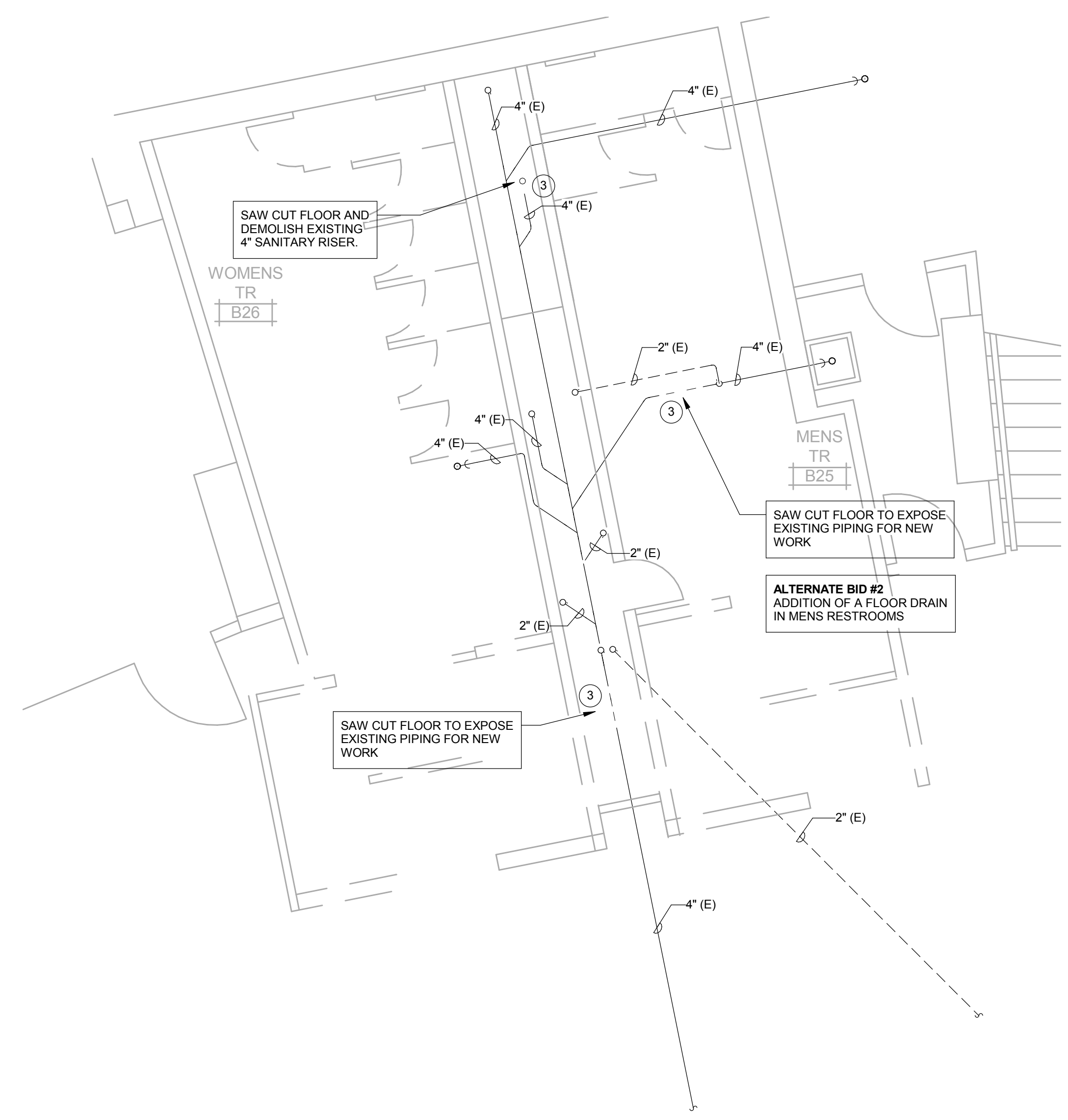
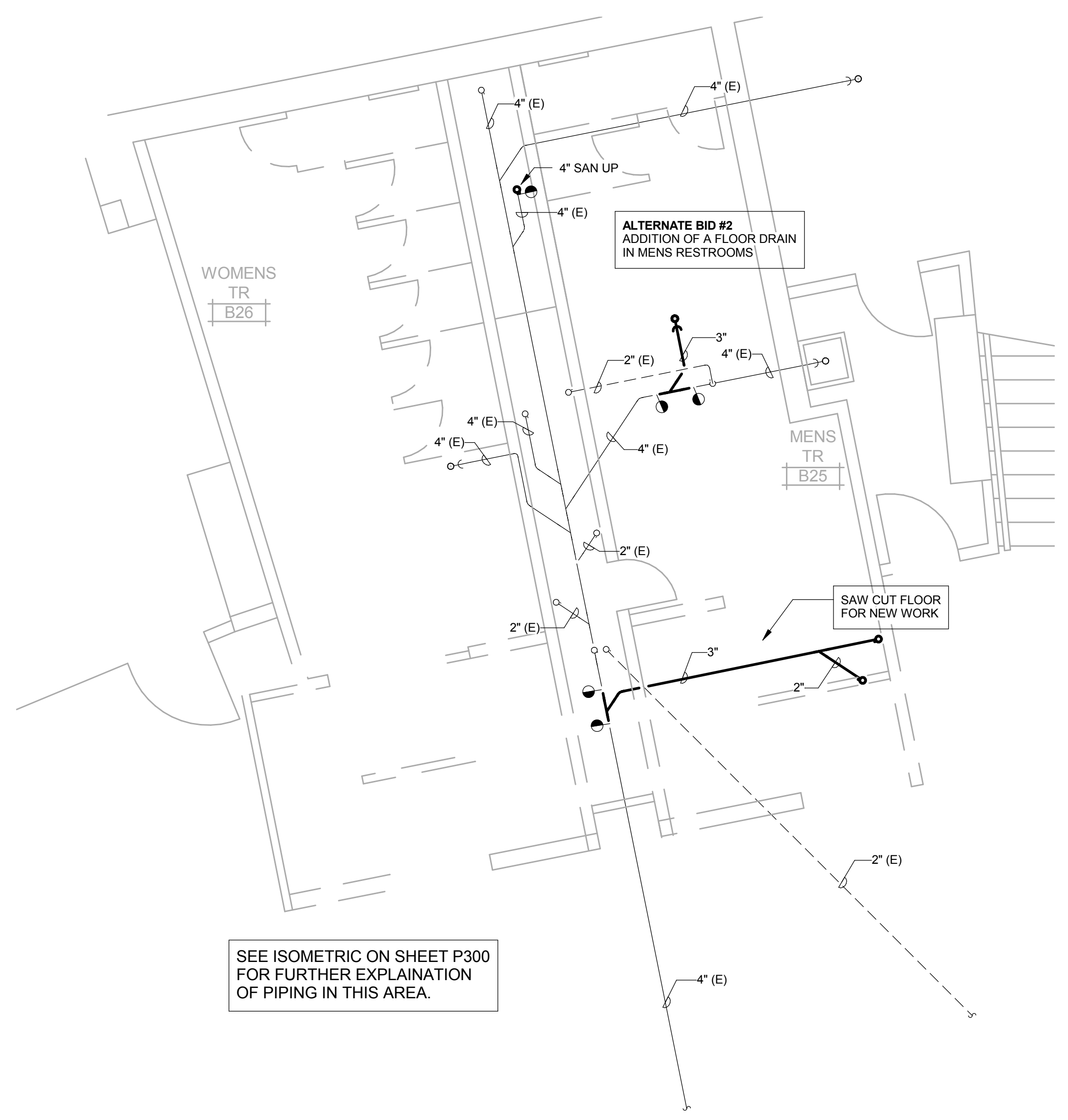
MAIN CONCOURSE LEVEL AREA PLAN



SECOND CONCOURSE LEVEL AREA PLAN



JDR
ENGINEERING, INC.
5525 NOBEL DRIVE
SUITE 110
MADISON, WI 53711
PH: 608.277.1728 FAX: 608.271.7046
JDR PROJECT NO. 170007



GENERAL NOTES:

1. PC SHALL VERIFY ALL EXISTING CONDITIONS AND REPORT ANY DISCREPANCIES TO THE A/E PRIOR TO COMMENCING WORK AND ORDERING MATERIAL.
2. ALL DOMESTIC WATER PIPING BEING ADDED OR REPLACED SHALL BE INSULATED.

KEYED NOTES

(TYPICAL NOTES, MAY NOT APPLY TO ALL PLAN SHEETS)

- ① DEMOLISH EXISTING FIXTURE AND WATER PIPING COMPLETE. EXISTING CARRIER, SANITARY AND VENT PIPES TO REMAIN FOR REUSE.
- ② DEMOLISH EXISTING FIXTURE COMPLETE INCLUDING CARRIER, WATER, SANITARY AND VENT PIPES.
- ③ DEMOLISH PIPING.

SEE ISOMETRIC ON SHEET P300 FOR FURTHER EXPLANATION OF PIPING IN THIS AREA.

2 B25/B26 ARENA LEVEL UNDERFLOOR NEW WORK PLAN - PLUMBING
P101-1 1/4" = 1'-0"

1 B25/B26 ARENA LEVEL UNDERFLOOR DEMOLITION PLAN - PLUMBING
P101-1 1/4" = 1'-0"

ISSUED

PROJECT
COLISEUM RESTROOM
UPGRADES
ALLIANT ENERGY CENTER
1919 ALLIANT ENERGY
CENTER WAY
MADISON, WISCONSIN

DRAWING
ARENA LEVEL UNDER
FLOOR PLAN -
PLUMBING

DATE
03.28.17

JDR
ENGINEERING, INC.
5525 NOBEL DRIVE
SUITE 110
MADISON, WI 53711
PH: 608.277.1728 FAX: 608.271.7046
JDR PROJECT NO. 170007

P101-1

Architecture
Planning

Dorschner/Associates, Inc.
849 E. Washington Ave., Ste 112
Madison, Wisconsin 53703

ISSUED

PROJECT
COLISEUM RESTROOM
UPGRADES
ALLIANT ENERGY CENTER
1919 ALLIANT ENERGY
CENTER WAY
MADISON, WISCONSIN

DRAWING
ARENA LEVEL PLAN
- PLUMBING

DATE
03.28.17

P201-1

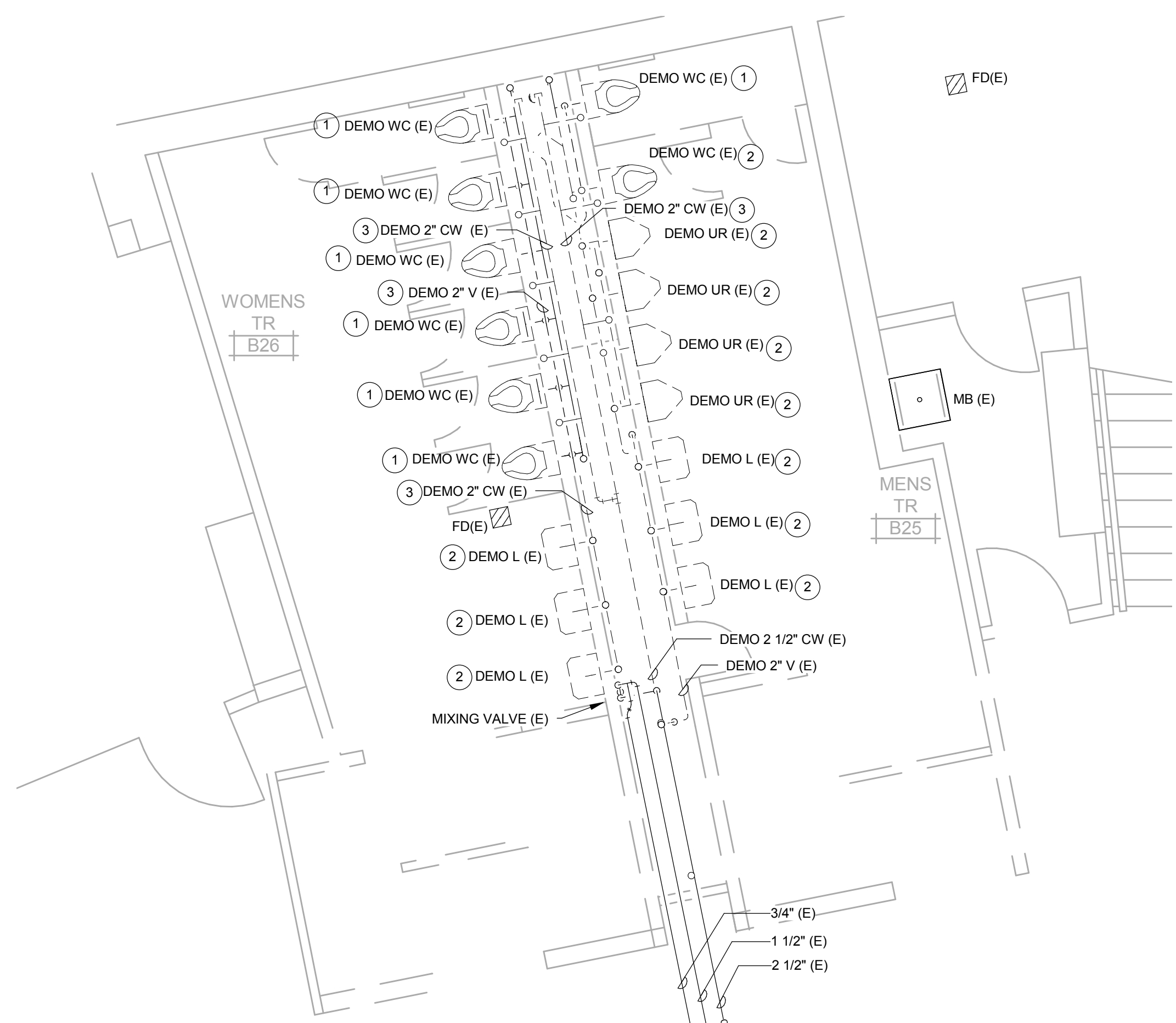
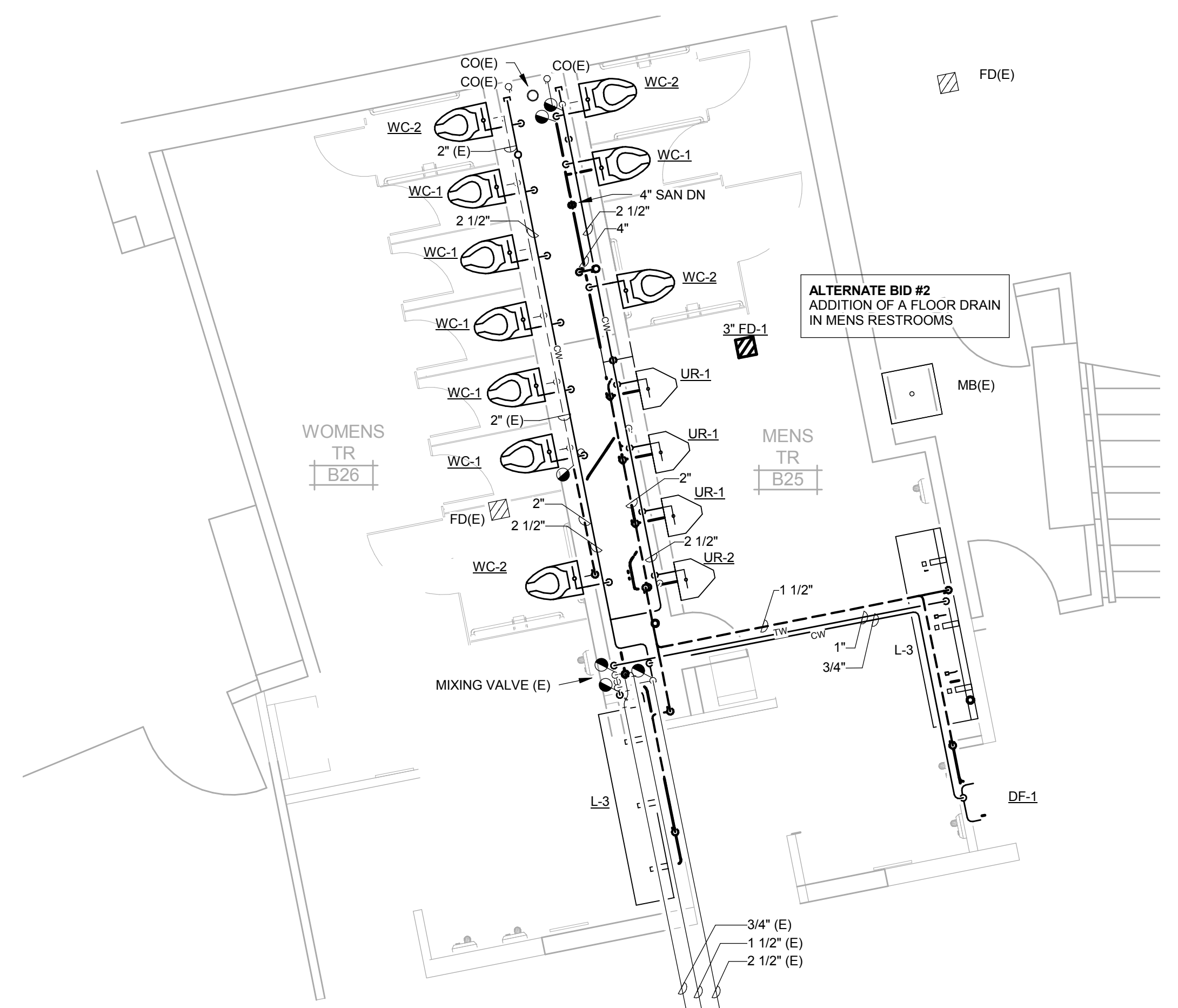
GENERAL NOTES:

1. PC SHALL VERIFY ALL EXISTING CONDITIONS AND REPORT ANY DISCREPANCIES TO THE A/E PRIOR TO COMMENCING WORK AND ORDERING MATERIAL.
2. ALL DOMESTIC WATER PIPING BEING ADDED OR REPLACED SHALL BE INSULATED.

KEYED NOTES

(TYPICAL NOTES, MAY NOT APPLY TO ALL PLAN SHEETS)

1. DEMOLISH EXISTING FIXTURE AND WATER PIPING COMPLETE. EXISTING CARRIER, SANITARY AND VENT PIPES TO REMAIN FOR REUSE.
2. DEMOLISH EXISTING FIXTURE COMPLETE INCLUDING CARRIER, WATER, SANITARY AND VENT PIPES.
3. DEMOLISH PIPING.



2 B25/B26 ARENA LEVEL NEW WORK PLAN - PLUMBING
P201-1 1/4" = 1'-0"

1 B25/B26 ARENA LEVEL DEMOLITION PLAN - PLUMBING
P201-1 1/4" = 1'-0"

JDR
ENGINEERING, INC.
5525 NOBEL DRIVE
SUITE 110
MADISON, WI 53711
PH: 608.277.1728 FAX: 608.271.7046
JDR PROJECT NO. 170007

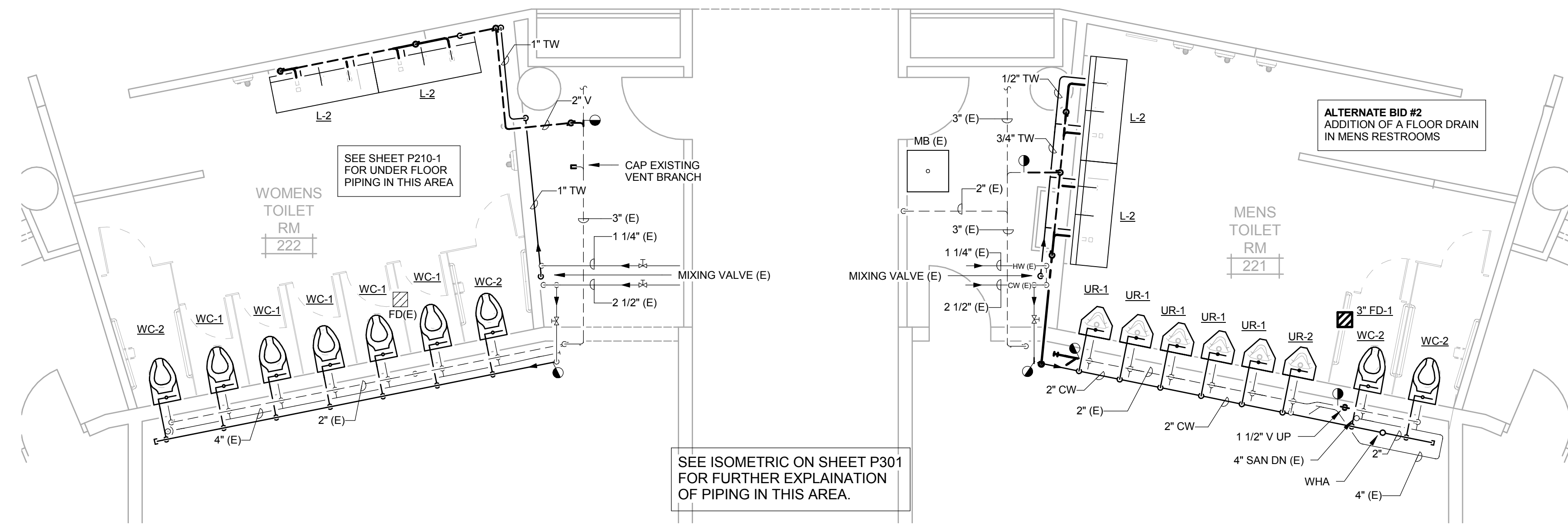
GENERAL NOTES:

1. PC SHALL VERIFY ALL EXISTING CONDITIONS AND REPORT ANY DISCREPANCIES TO THE A/E PRIOR TO COMMENCING WORK AND ORDERING MATERIAL.
2. ALL DOMESTIC WATER PIPING BEING ADDED OR REPLACED SHALL BE INSULATED.

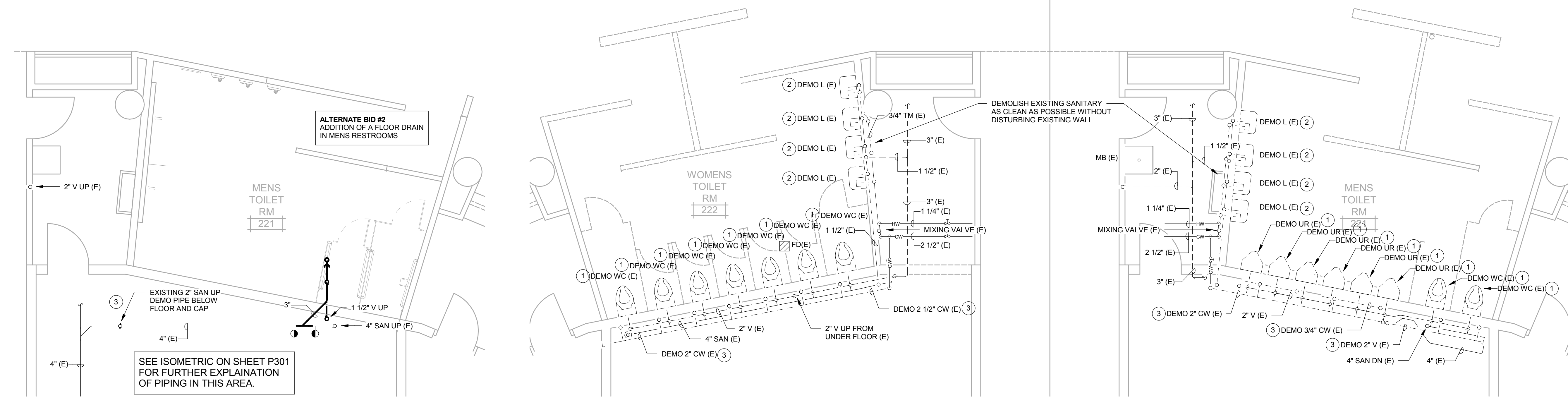
KEYED NOTES

(TYPICAL NOTES, MAY NOT APPLY TO ALL PLAN SHEETS)

- 1 DEMOLISH EXISTING FIXTURE AND WATER PIPING COMPLETE. EXISTING CARRIER, SANITARY AND VENT PIPES TO REMAIN FOR REUSE.
- 2 DEMOLISH EXISTING FIXTURE COMPLETE INCLUDING CARRIER, WATER, SANITARY AND VENT PIPES.
- 3 DEMOLISH PIPING.



3 221/222 MAIN CONCOURSE LEVEL NEW WORK PLAN - PLUMBING
P202-1 1/4" = 1'-0"



2 221 MAIN CONCOURSE LEVEL UNDER FLOOR NEW WORK PLAN - PLUMBING
P202-1 1/4" = 1'-0"

1 221/222 MAIN CONCOURSE LEVEL DEMOLITION PLAN - PLUMBING
P202-1 1/4" = 1'-0"

PROJECT
COLISEUM RESTROOM
UPGRADES
ALLIANT ENERGY CENTER
1919 ALLIANT ENERGY
CENTER WAY
MADISON, WISCONSIN

DRAWING
MAIN CONCOURSE
LEVEL PLAN -
PLUMBING

DATE
03.28.17

JDR
ENGINEERING, INC.
5525 NOBEL DRIVE
SUITE 110
MADISON, WI 53711
PH: 608.277.1728 FAX: 608.271.7046
JDR PROJECT NO. 170007

P202-1

Architecture
Planning

Dorschner/Associates, Inc.
849 E. Washington Ave., Ste 112
Madison, Wisconsin 53703

ISSUED

PROJECT

COLISEUM RESTROOM
UPGRADES
ALLIANT ENERGY CENTER
1919 ALLIANT ENERGY
CENTER WAY
MADISON, WISCONSIN

DRAWING

SECOND LEVEL
CONCOURSE PLAN
- PLUMBING

DATE

03.28.17

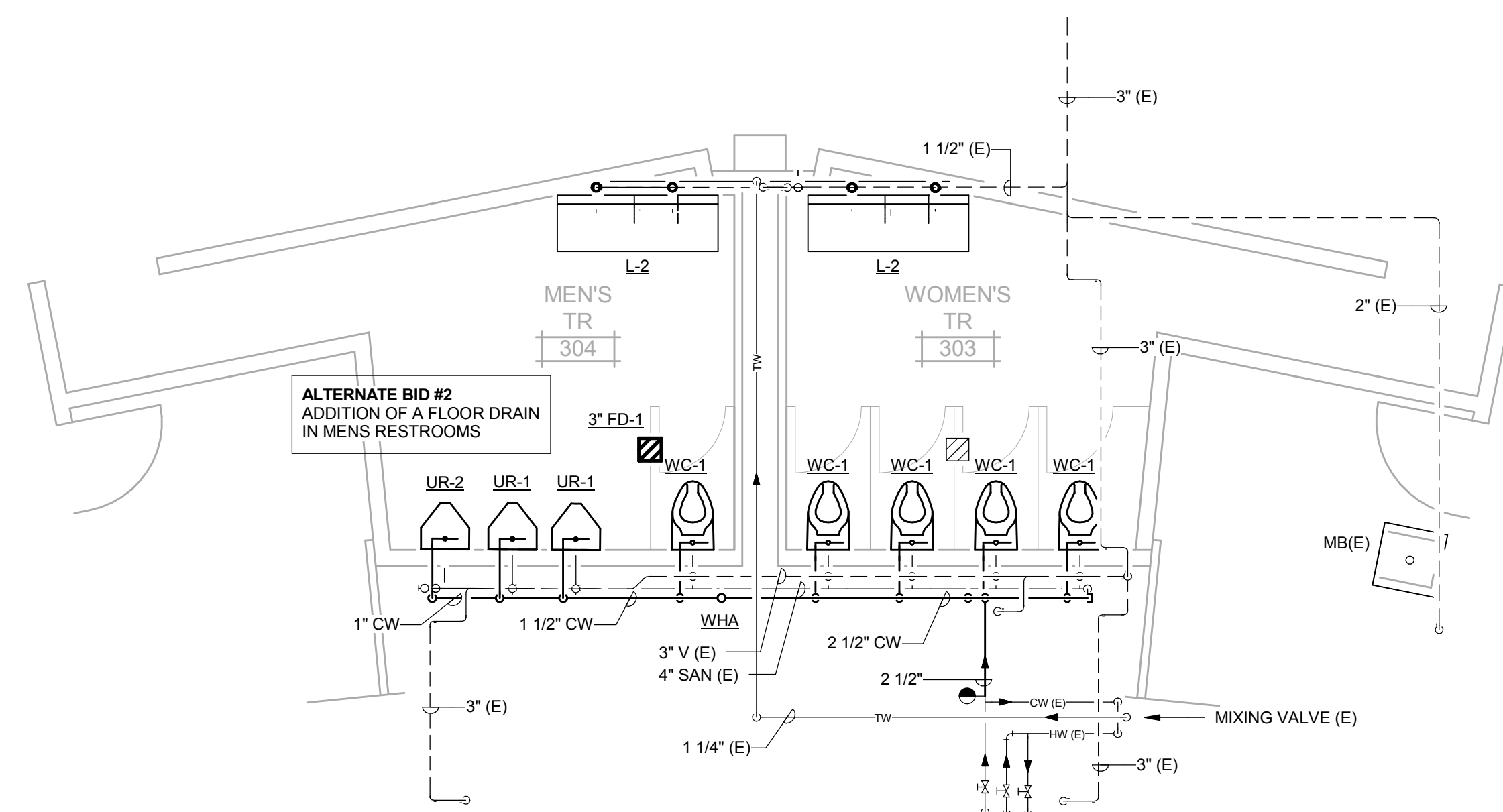
GENERAL NOTES:

1. PC SHALL VERIFY ALL EXISTING CONDITIONS AND REPORT ANY DISCREPANCIES TO THE A/E PRIOR TO COMMENCING WORK AND ORDERING MATERIAL.
2. ALL DOMESTIC WATER PIPING BEING ADDED OR REPLACED SHALL BE INSULATED.

KEYED NOTES

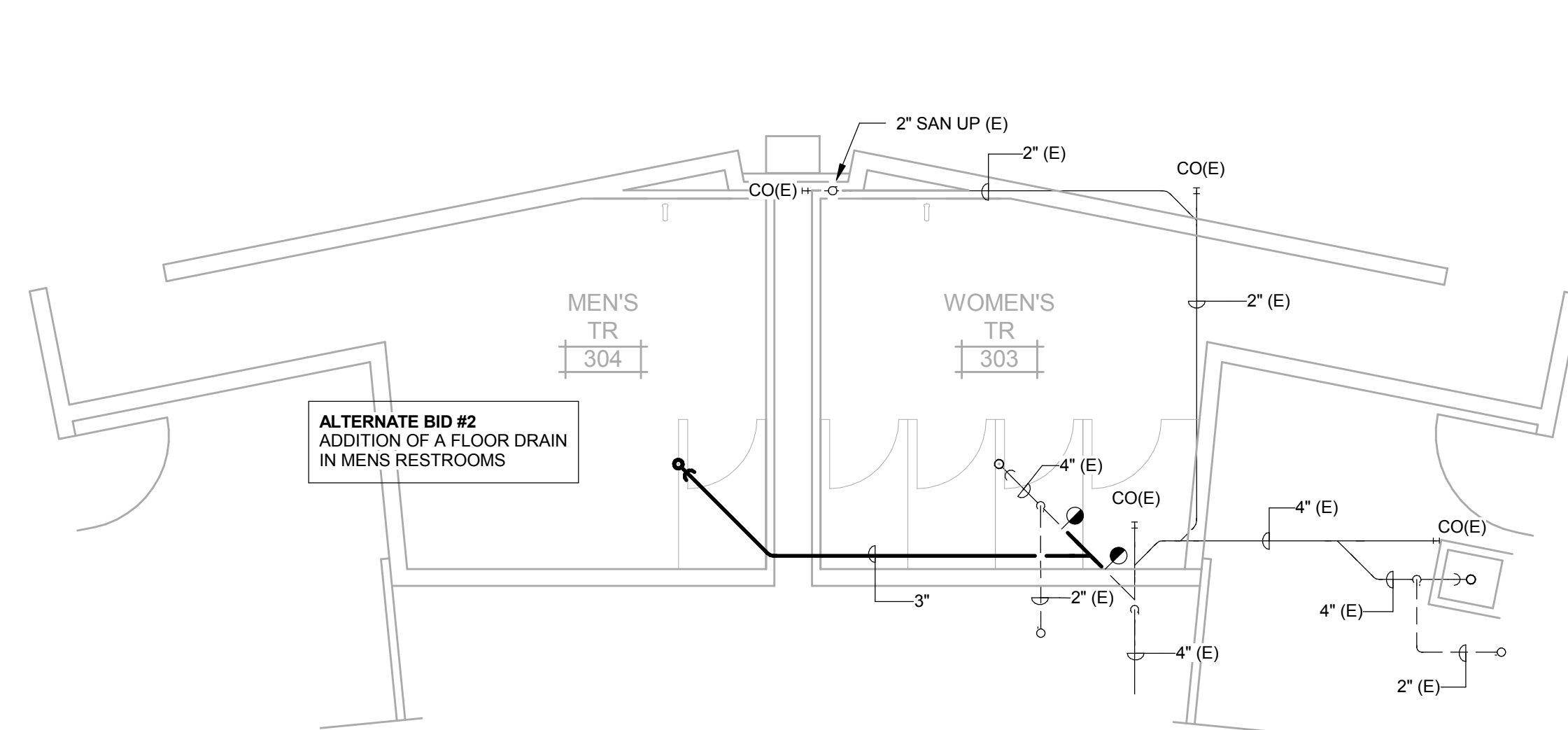
(TYPICAL NOTES, MAY NOT APPLY TO ALL PLAN SHEETS)

- 1 DEMOLISH EXISTING FIXTURE AND WATER PIPING COMPLETE. EXISTING CARRIER, SANITARY AND VENT PIPES TO REMAIN FOR REUSE.
- 2 DEMOLISH EXISTING FIXTURE COMPLETE INCLUDING CARRIER, WATER, SANITARY AND VENT PIPES.
- 3 DEMOLISH PIPING.



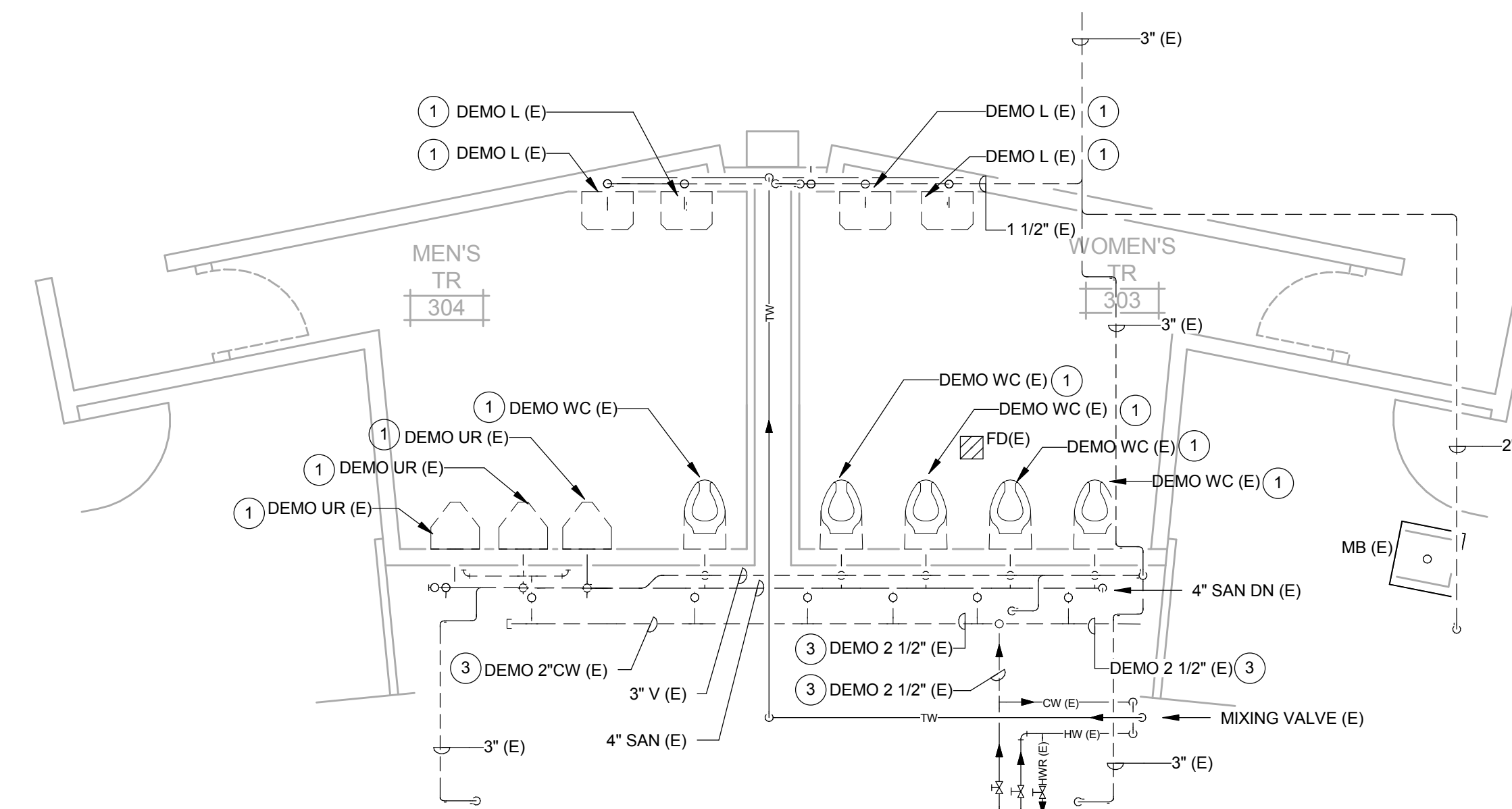
SEE ISOMETRIC ON SHEET P302 FOR FURTHER EXPLANATION OF PIPING IN THIS AREA.

3 TR304/TR303 SECOND LEVEL CONCOURSE NEW WORK PLAN - PLUMBING
P203-1 1/4" = 1'-0"



SEE ISOMETRIC ON SHEET P302 FOR FURTHER EXPLANATION OF PIPING IN THIS AREA.

2 TR304/TR303 SECOND LEVEL CONCOURSE UNDER FLOOR NEW WORK PLAN - PLUMBING
P203-1 1/4" = 1'-0"



1 TR304/TR303 SECOND LEVEL CONCOURSE DEMOLITION PLAN - PLUMBING
P203-1 1/4" = 1'-0"

JDR
ENGINEERING, INC.
5525 NOBEL DRIVE
SUITE 110
MADISON, WI 53711
PH: 608.277.1728 FAX: 608.271.7046
JDR PROJECT NO. 170007

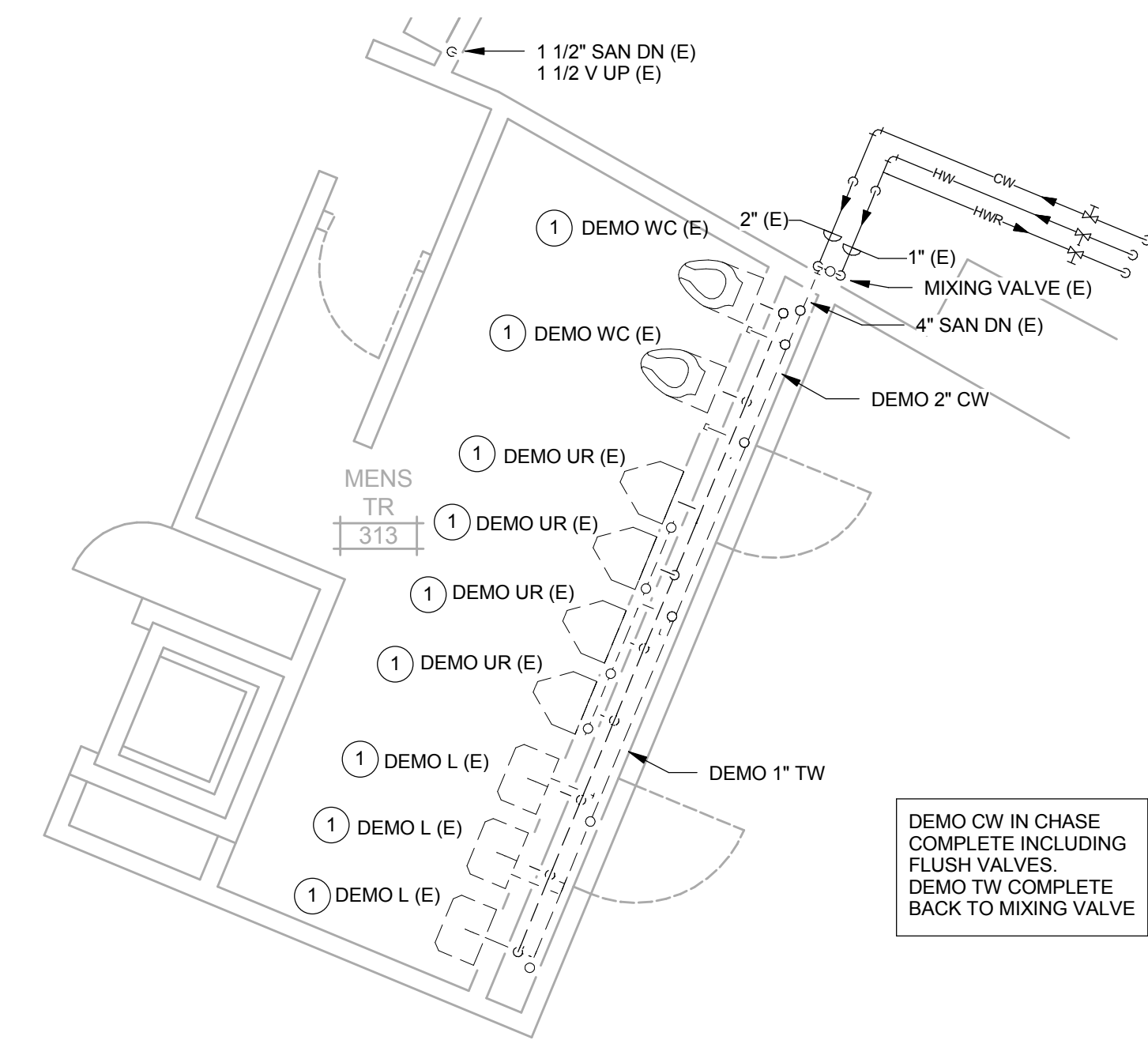
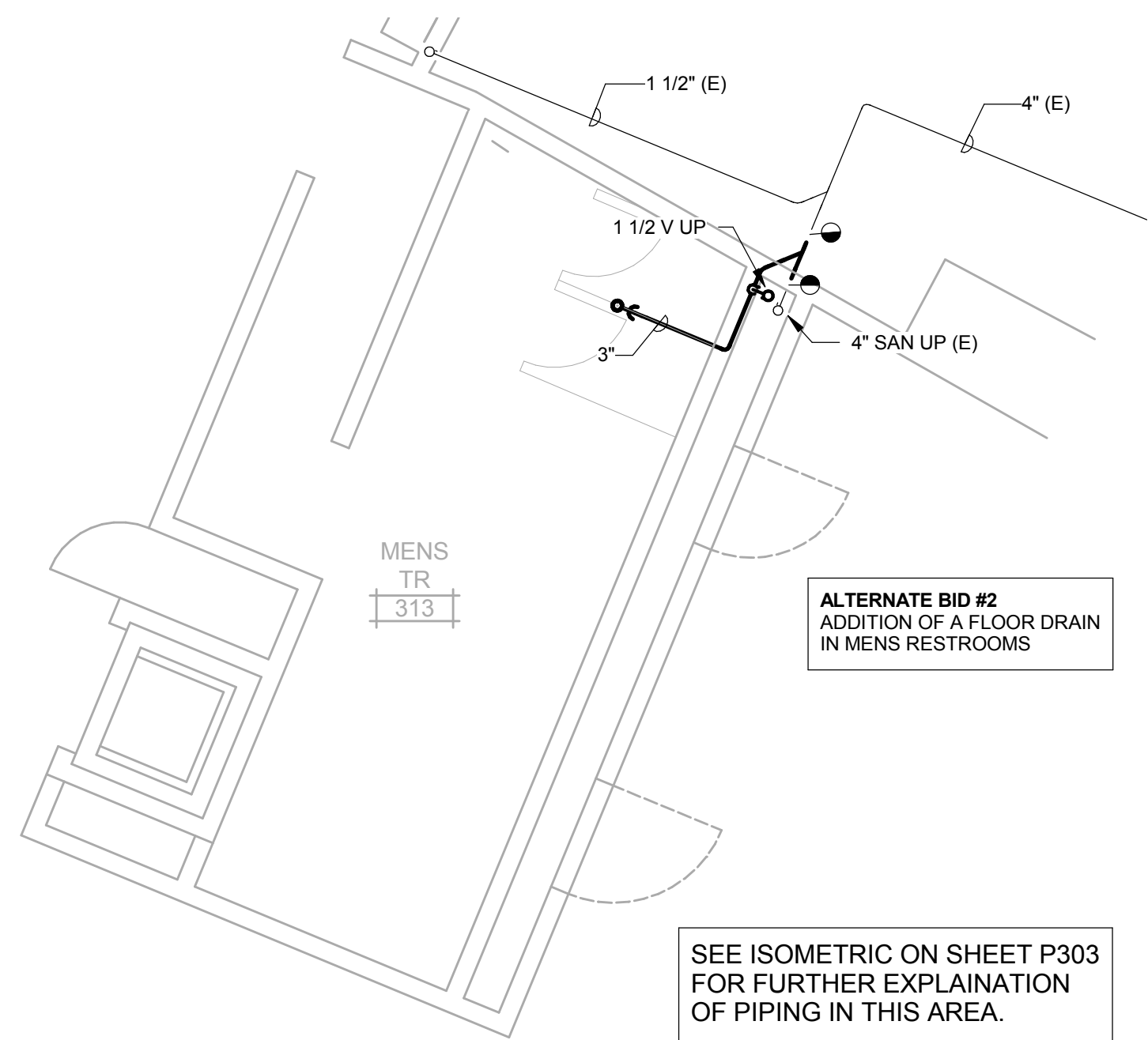
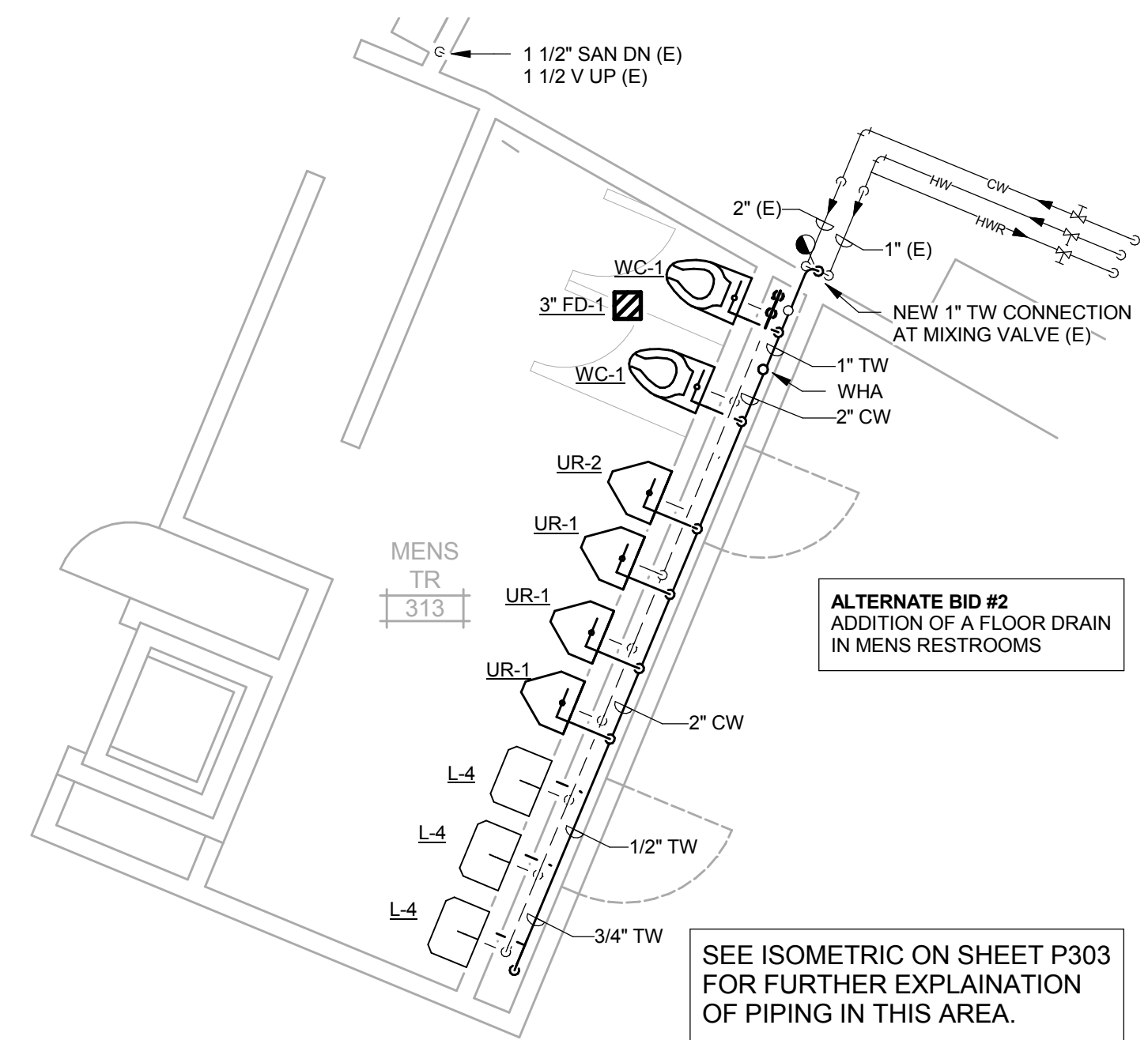
GENERAL NOTES:

1. PC SHALL VERIFY ALL EXISTING CONDITIONS AND REPORT ANY DISCREPANCIES TO THE A/E PRIOR TO COMMENCING WORK AND ORDERING MATERIAL.
2. ALL DOMESTIC WATER PIPING BEING ADDED OR REPLACED SHALL BE INSULATED.

KEYED NOTES

(TYPICAL NOTES, MAY NOT APPLY TO ALL PLAN SHEETS)

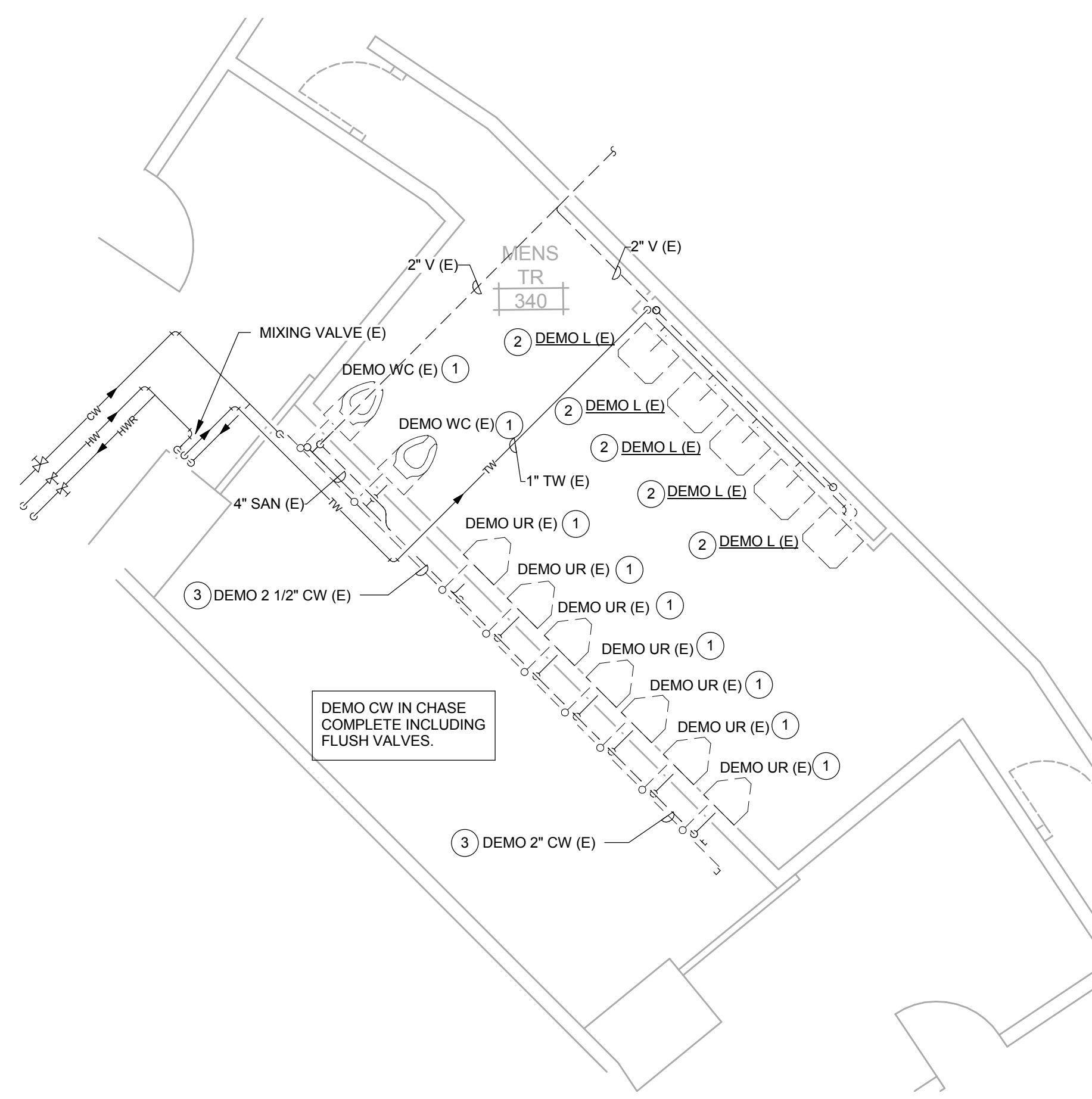
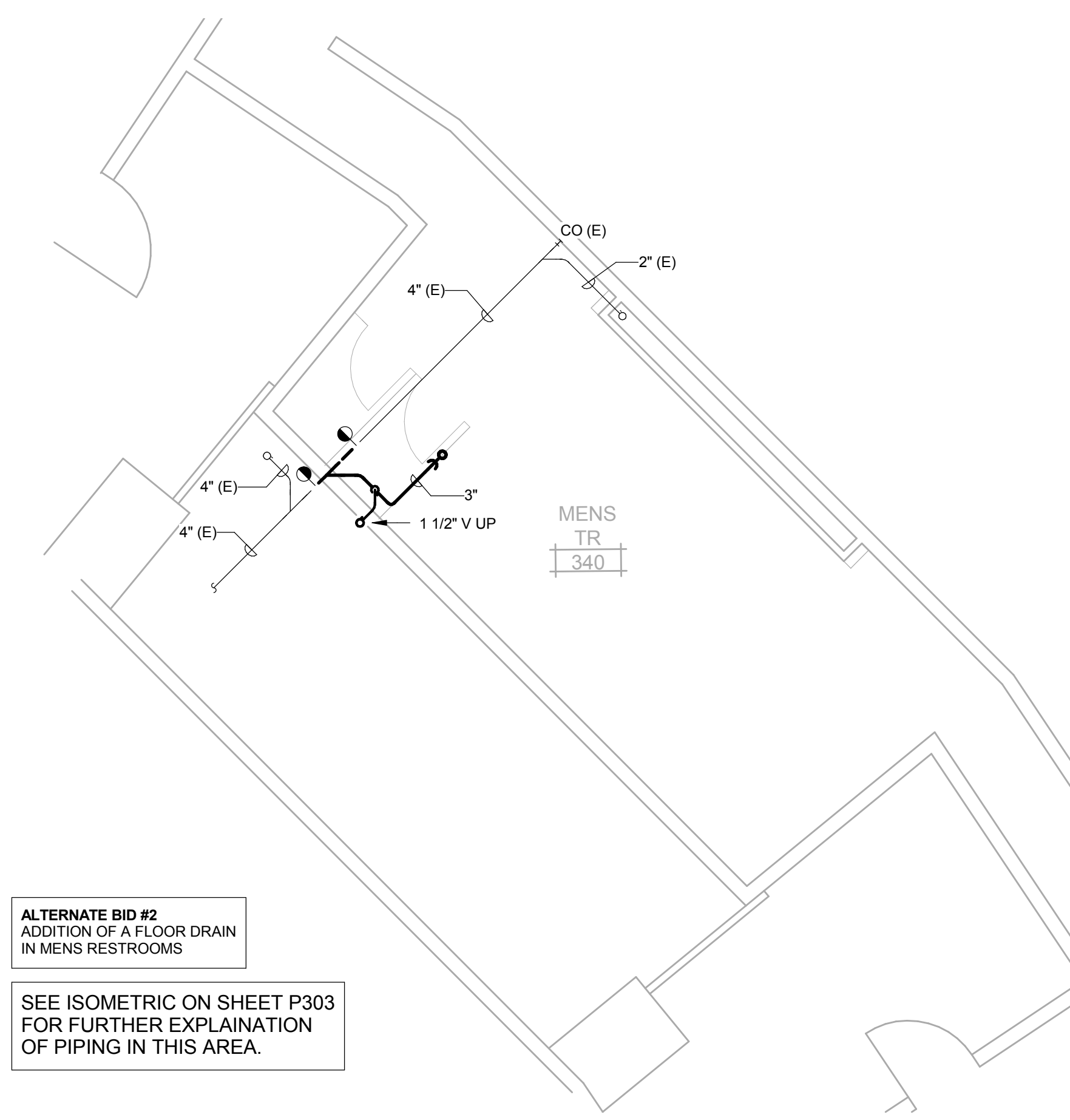
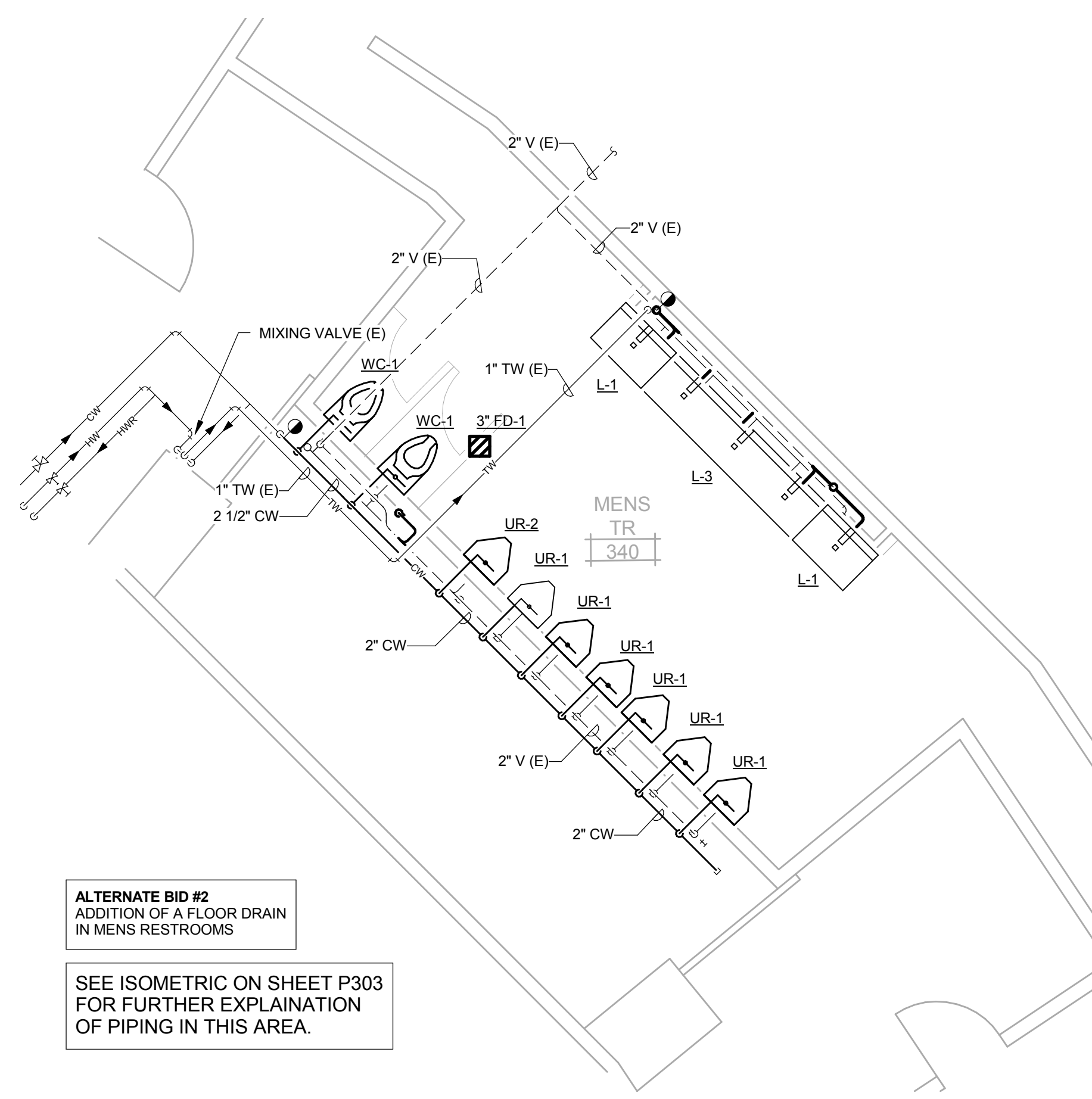
- 1 DEMOLISH EXISTING FIXTURE AND WATER PIPING COMPLETE. EXISTING CARRIER, SANITARY AND VENT PIPES TO REMAIN FOR REUSE.
- 2 DEMOLISH EXISTING FIXTURE COMPLETE INCLUDING CARRIER, WATER, SANITARY AND VENT PIPES.
- 3 DEMOLISH PIPING.



6 TR313 SECOND LEVEL CONCOURSE NEW WORK PLAN - PLUMBING
P203-2 1/4" = 1'-0"

4 TR313 SECOND LEVEL CONCOURSE UNDER FLOOR NEW WORK PLAN - PLUMBING
P203-2 1/4" = 1'-0"

2 TR313 SECOND LEVEL CONCOURSE DEMOLITION PLAN - PLUMBING
P203-2 1/4" = 1'-0"



5 TR340/TR318 SECOND LEVEL CONCOURSE NEW WORK PLAN - PLUMBING
P203-2 1/4" = 1'-0"

3 TR340/TR318 SECOND LEVEL CONCOURSE UNDER FLOOR NEW WORK PLAN - PLUMBING
P203-2 1/4" = 1'-0"

1 TR340/TR318 SECOND LEVEL CONCOURSE DEMOLITION PLAN - PLUMBING
P203-2 1/4" = 1'-0"

JDR
ENGINEERING, INC.
5525 NOBEL DRIVE
SUITE 110
MADISON, WI 53711
PH: 608.277.1728 FAX: 608.271.7046
JDR PROJECT NO. 170007

Architecture
Planning

Dorschner/Associates, Inc.
849 E. Washington Ave., Ste 112
Madison, Wisconsin 53703

ISSUED

PROJECT
COLISEUM RESTROOM
UPGRADES
ALLIANT ENERGY CENTER
1919 ALLIANT ENERGY
CENTER WAY
MADISON, WISCONSIN

DRAWING
SECOND LEVEL
CONCOURSE PLAN
- PLUMBING

DATE
03.28.17

P203-3

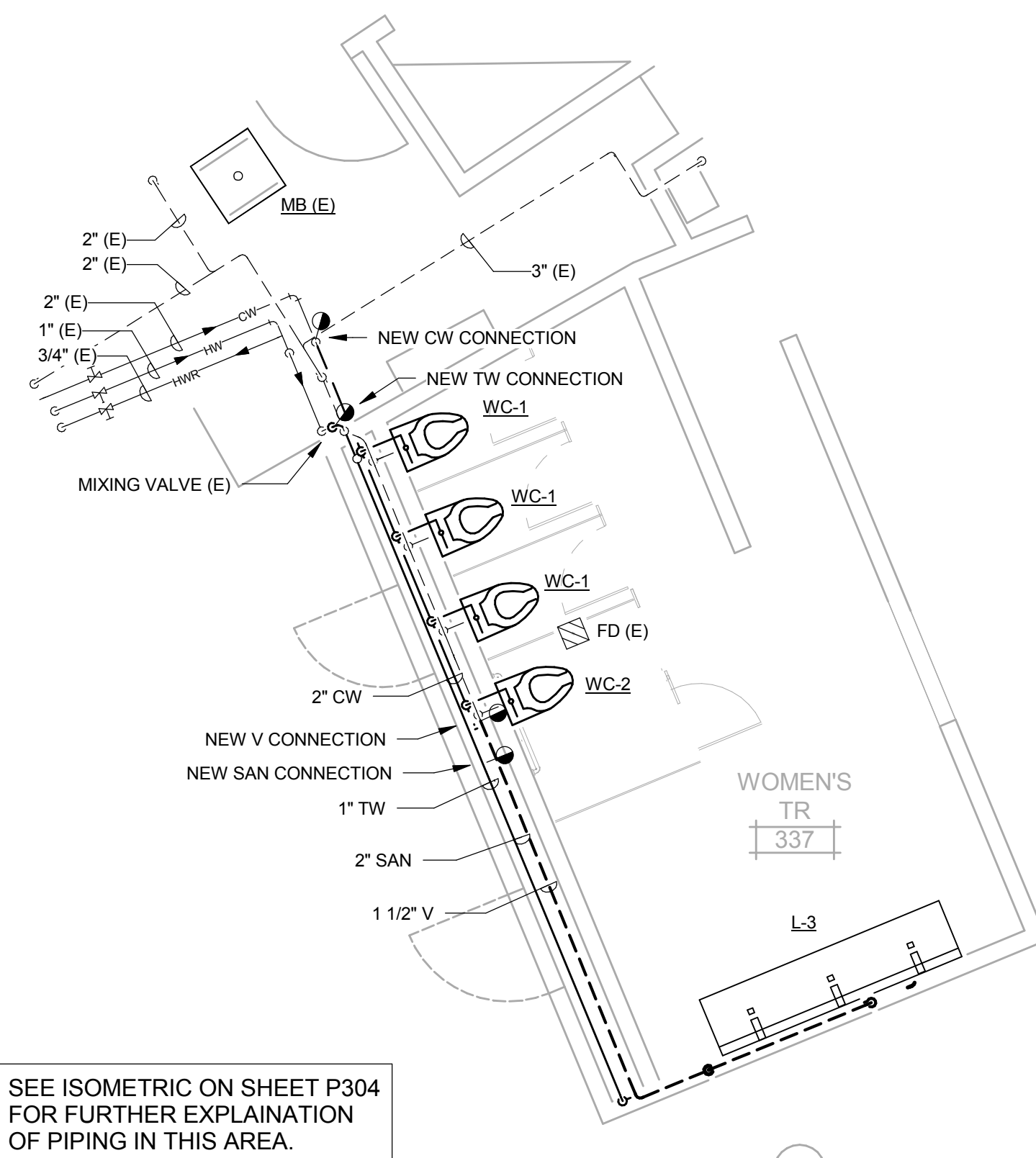
GENERAL NOTES:

1. PC SHALL VERIFY ALL EXISTING CONDITIONS AND REPORT ANY DISCREPANCIES TO THE A/E PRIOR TO COMMENCING WORK AND ORDERING MATERIAL.
2. ALL DOMESTIC WATER PIPING BEING ADDED OR REPLACED SHALL BE INSULATED.

KEYED NOTES

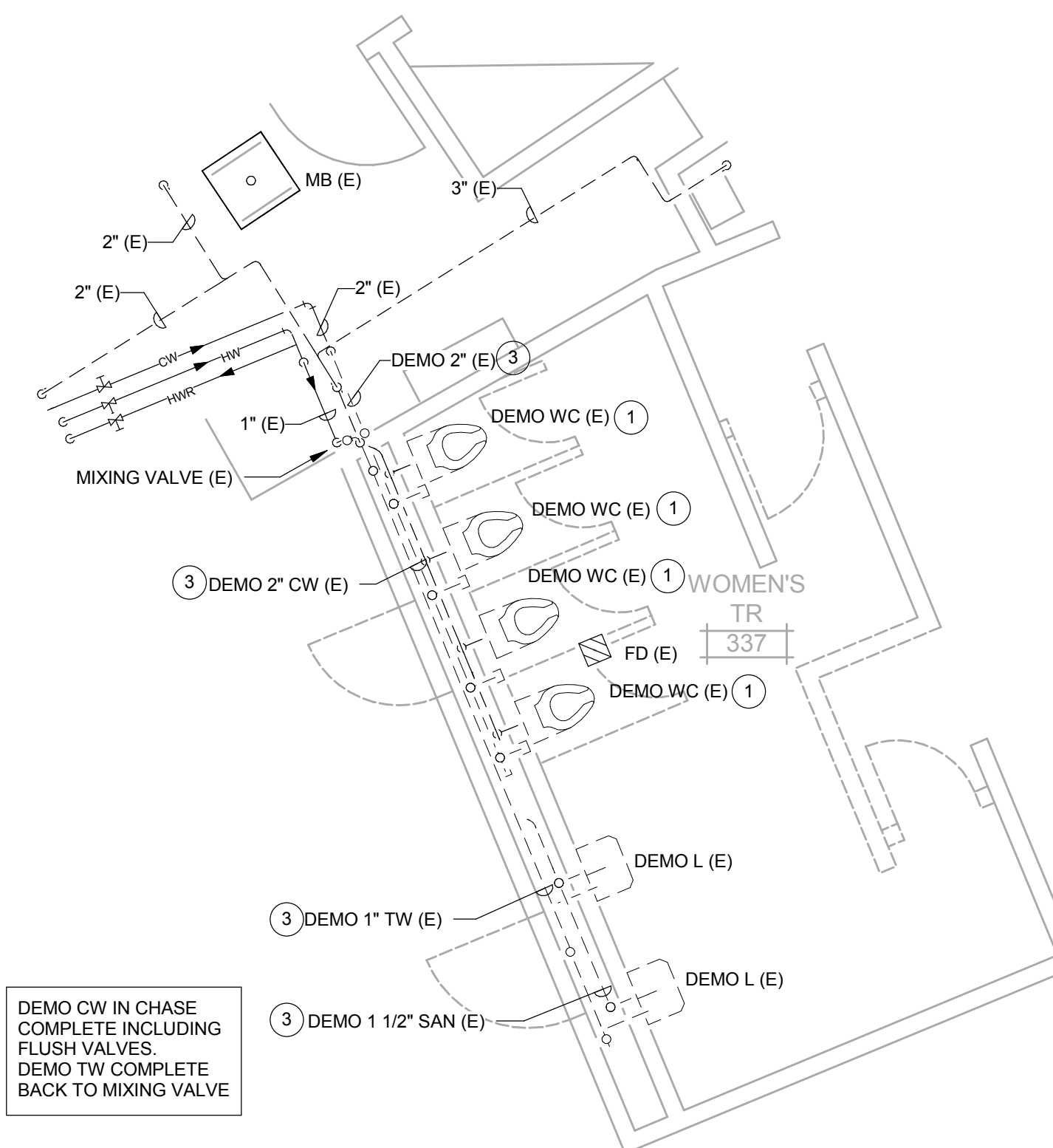
(TYPICAL NOTES, MAY NOT APPLY TO ALL PLAN SHEETS)

- 1 DEMOLISH EXISTING FIXTURE AND WATER PIPING COMPLETE. EXISTING CARRIER, SANITARY AND VENT PIPES TO REMAIN FOR REUSE.
- 2 DEMOLISH EXISTING FIXTURE COMPLETE INCLUDING CARRIER, WATER, SANITARY AND VENT PIPES.
- 3 DEMOLISH PIPING.



SEE ISOMETRIC ON SHEET P304 FOR FURTHER EXPLANATION OF PIPING IN THIS AREA.

2 TR337/TR315 SECOND LEVEL CONCOURSE NEW WORK PLAN - PLUMBING
P203-3 1/4" = 1'-0"



DEMO CW IN CHASE COMPLETE INCLUDING FLUSH VALVES. DEMO TW COMPLETE BACK TO MIXING VALVE

1 TR337/TR315 SECOND LEVEL CONCOURSE DEMOLITION PLAN - PLUMBING
P203-3 1/4" = 1'-0"

JDR
ENGINEERING, INC.
5525 NOBEL DRIVE
SUITE 110
MADISON, WI 53711
PH: 608.277.1728 FAX: 608.271.7046
JDR PROJECT NO. 170007



SEE ISOMETRIC ON SHEET P305
FOR FURTHER EXPLANATION
OF PIPING IN THIS AREA.

2 TR310/TR308 SECOND LEVEL CONCOURSE NEW WORK PLAN - PLUMBING
P203-4 1/4" = 1'-0"



1 TR310/TR308 SECOND LEVEL CONCOURSE DEMOLITION PLAN - PLUMBING
P203-4 1/4" = 1'-0"

GENERAL NOTES:

1. PC SHALL VERIFY ALL EXISTING CONDITIONS AND REPORT ANY DISCREPANCIES TO THE A/E PRIOR TO COMMENCING WORK AND ORDERING MATERIAL.
2. ALL DOMESTIC WATER PIPING BEING ADDED OR REPLACED SHALL BE INSULATED.

KEYED NOTES

(TYPICAL NOTES, MAY NOT APPLY TO ALL PLAN SHEETS)

- 1 DEMOLISH EXISTING FIXTURE AND WATER PIPING COMPLETE. EXISTING CARRIER, SANITARY AND VENT PIPES TO REMAIN FOR REUSE.
- 2 DEMOLISH EXISTING FIXTURE COMPLETE INCLUDING CARRIER, WATER, SANITARY AND VENT PIPES.
- 3 DEMOLISH PIPING.

PROJECT
COLISEUM RESTROOM
UPGRADES
ALLIANT ENERGY CENTER
1919 ALLIANT ENERGY
CENTER WAY
MADISON, WISCONSIN

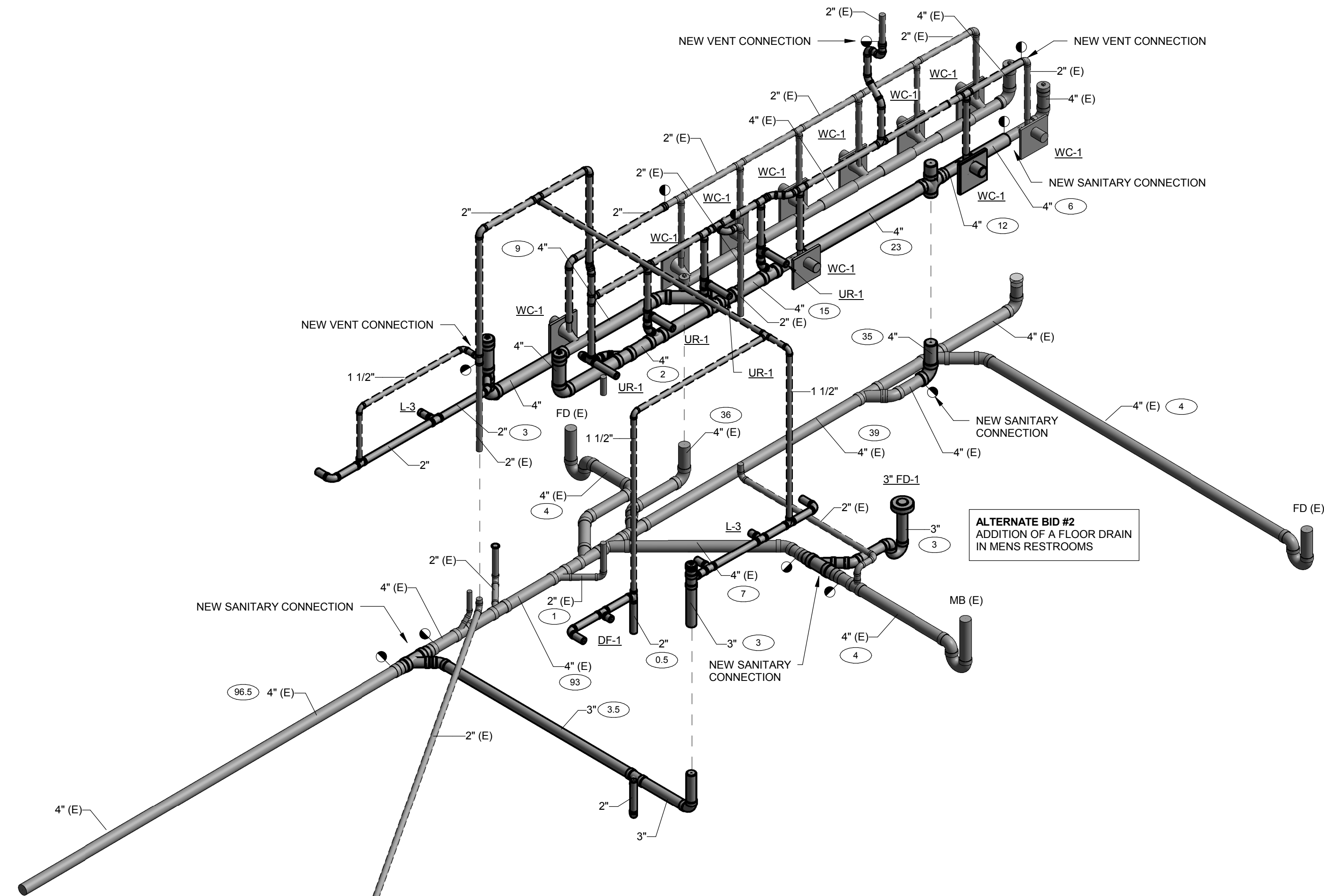
DRAWING
SECOND LEVEL
CONCOURSE PLAN
- PLUMBING

DATE
03.28.17

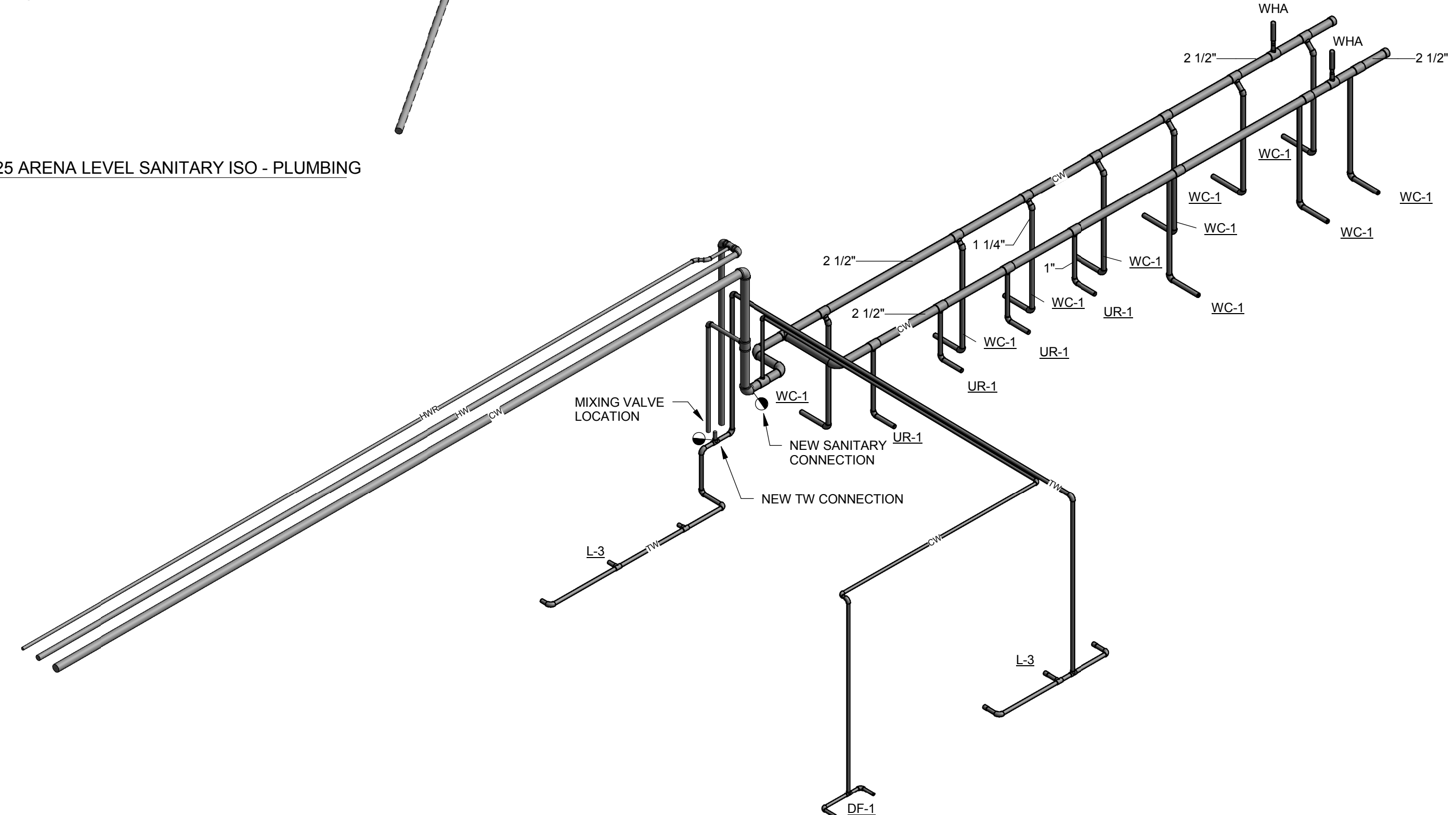
JDR ENGINEERING, INC.
5525 NOBEL DRIVE
SUITE 110
MADISON, WI 53711
PH: 608.277.1728 FAX: 608.271.7046
JDR PROJECT NO. 170007

P203-4

ISSUED



2 B25 ARENA LEVEL SANITARY ISO - PLUMBING
P300



3 B25 ARENA LEVEL WATER ISO - PLUMBING
P300

ALTERNATE BID #2
ADDITION OF A FLOOR DRAIN
IN MENS RESTROOMS

PROJECT
COLISEUM RESTROOM
UPGRADES
ALLIANT ENERGY CENTER
1919 ALLIANT ENERGY
CENTER WAY
MADISON, WISCONSIN

DRAWING
ISOMETRICS -
PLUMBING

DATE
03.28.17

JDR ENGINEERING, INC.
5525 NOBEL DRIVE
SUITE 110
MADISON, WI 53711
PH: 608.277.1728 FAX: 608.271.7046
JDR PROJECT NO. 170007

P300

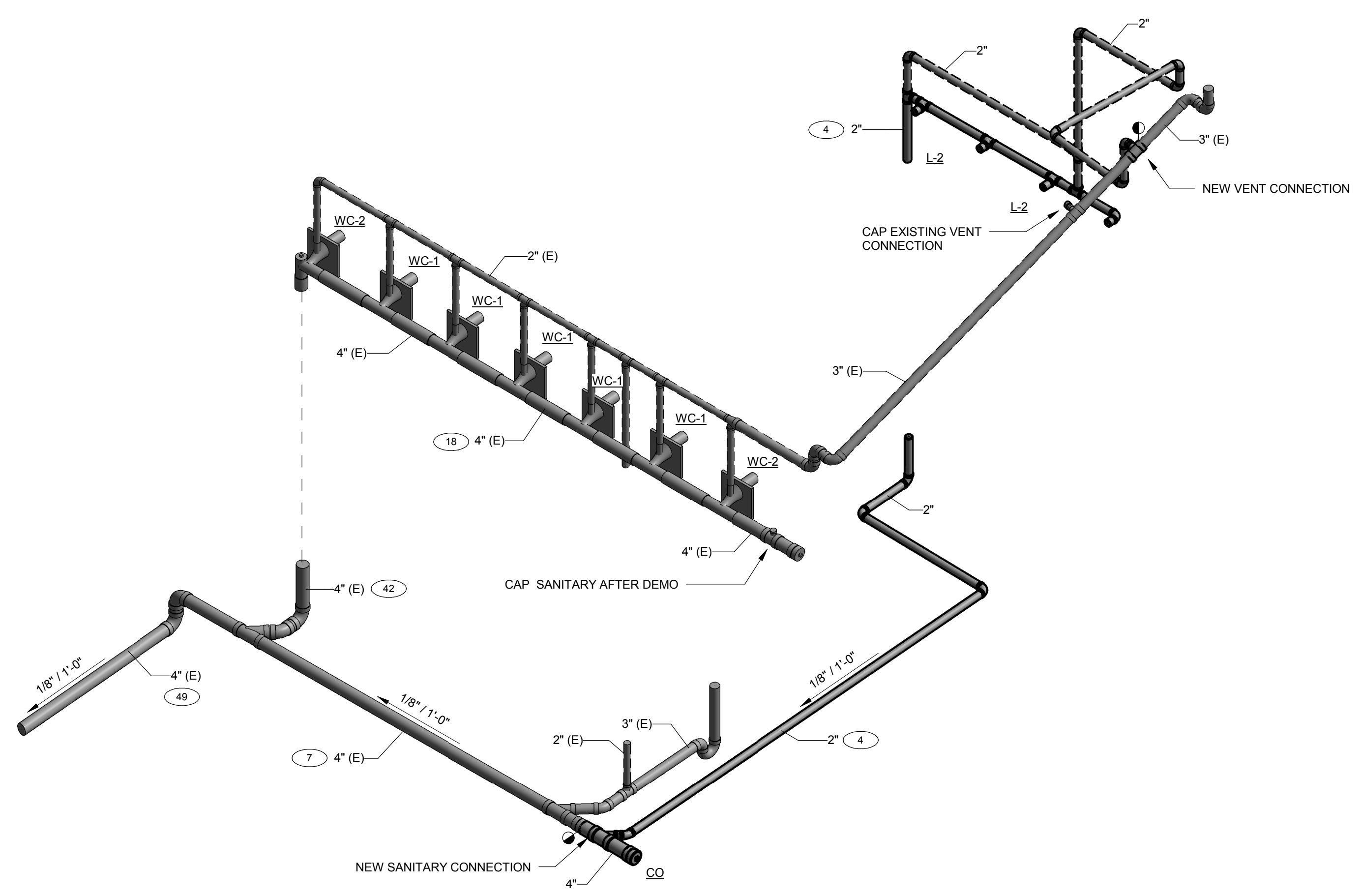
ISSUED

PROJECT
COLISEUM RESTROOM
UPGRADES
ALLIANT ENERGY CENTER
1919 ALLIANT ENERGY
CENTER WAY
MADISON, WISCONSIN

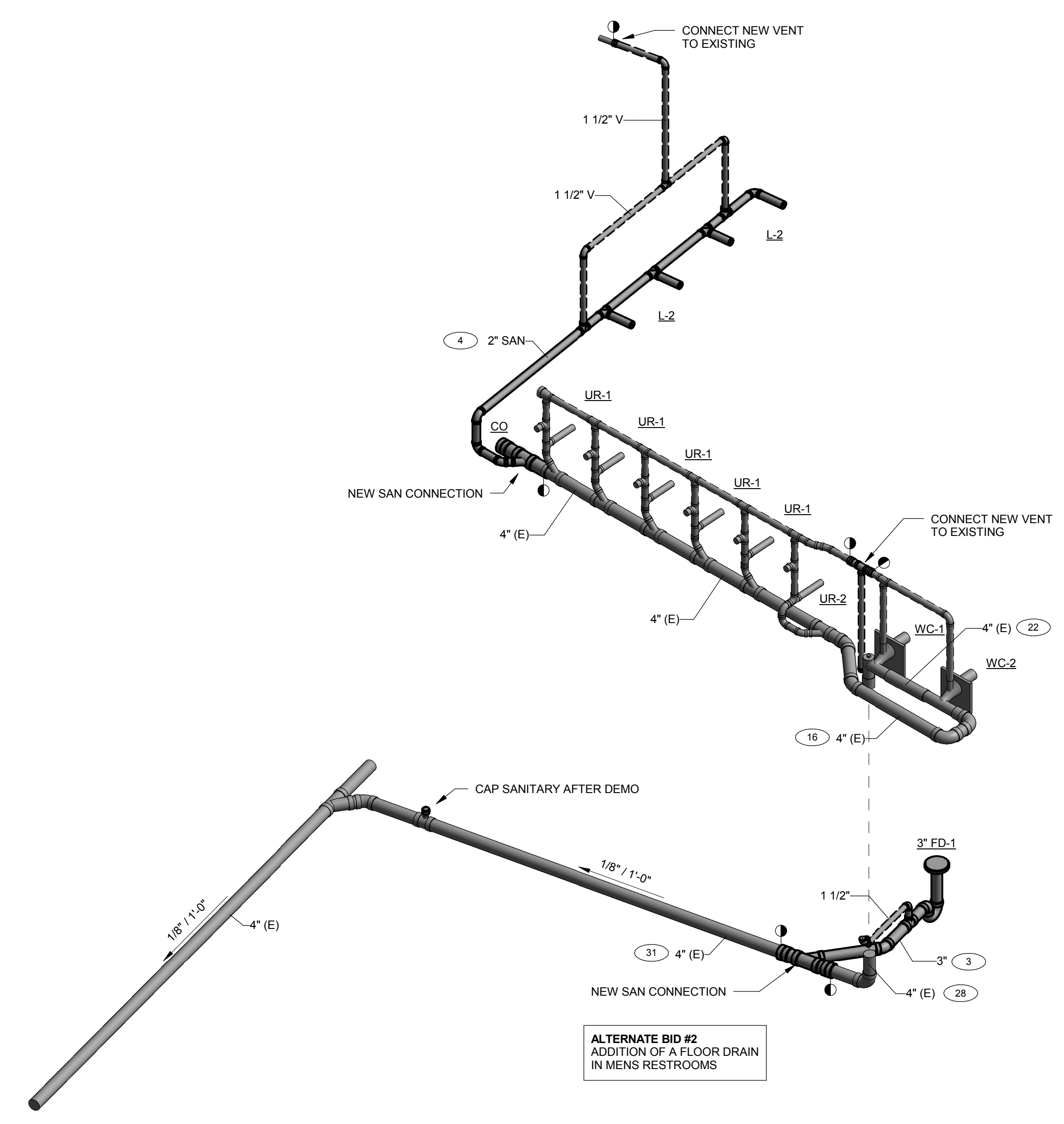
DRAWING
ISOMETRICS -
PLUMBING

DATE
03.28.17

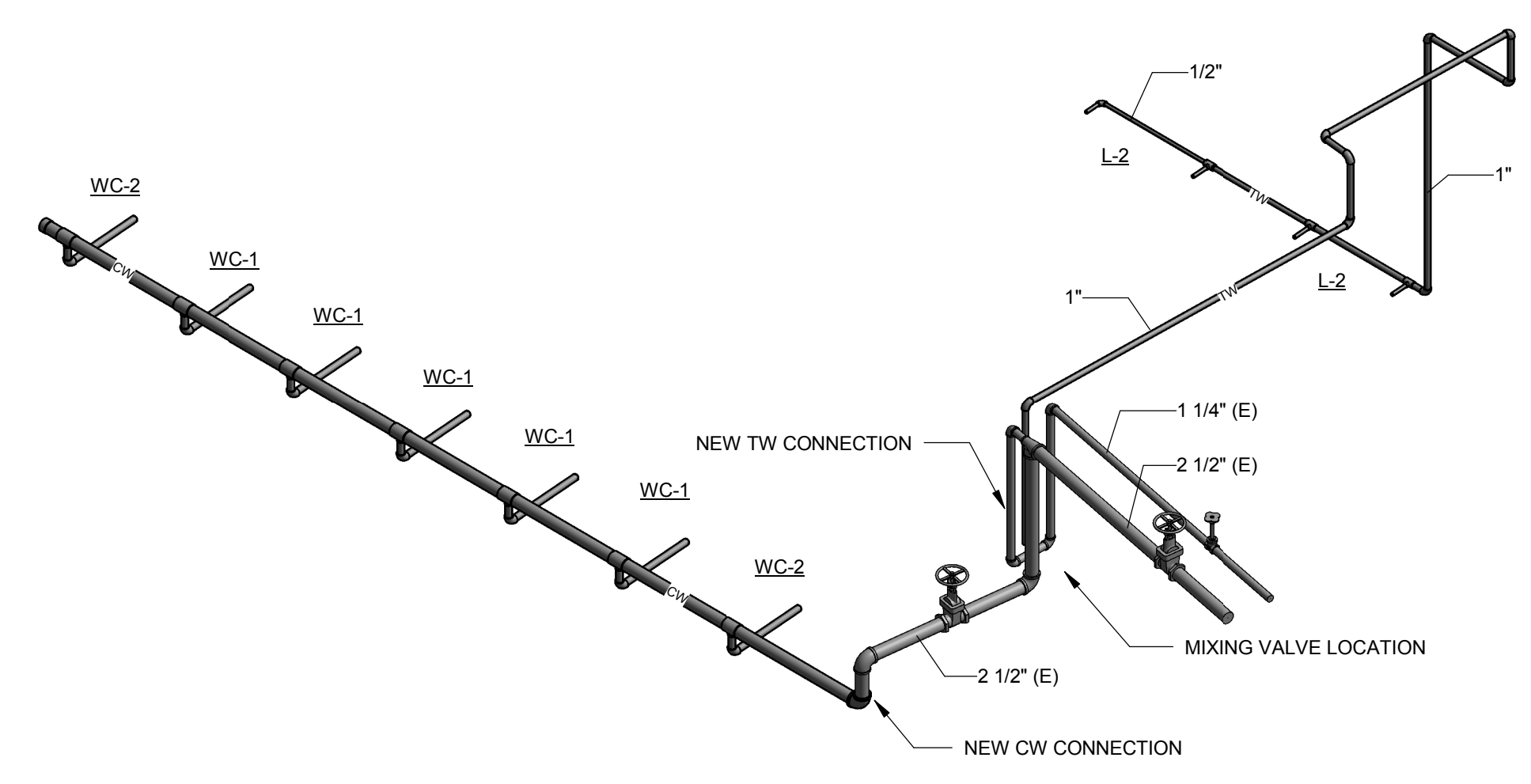
P301



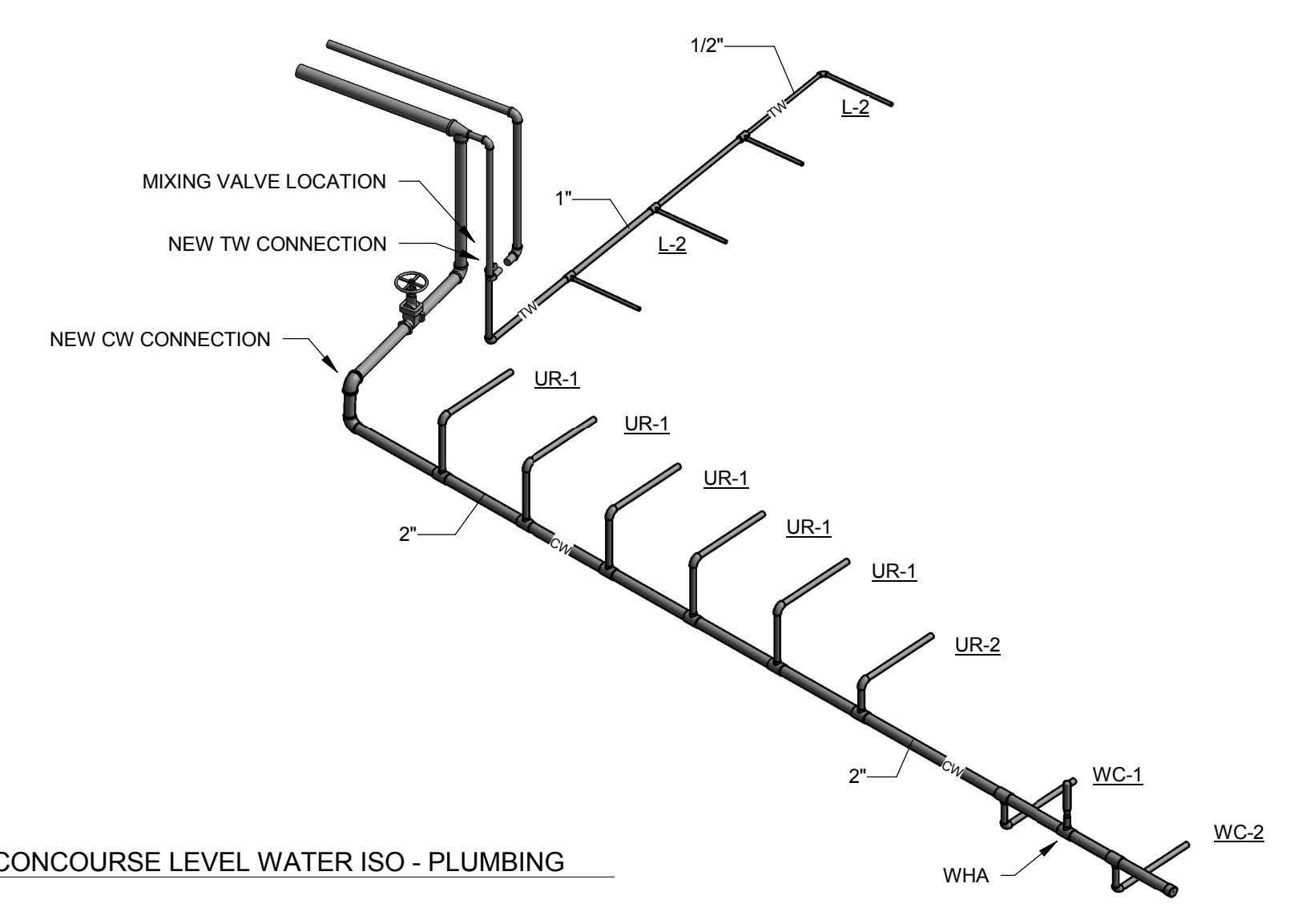
2 222 MAIN CONCOURSE LEVEL SANITARY ISO - PLUMBING
P301



5 221 MAIN CONCOURSE LEVEL SANITARY ISO - PLUMBING
P301



3 222/221 MAIN CONCOURSE LEVEL WATER ISO - PLUMBING
P301



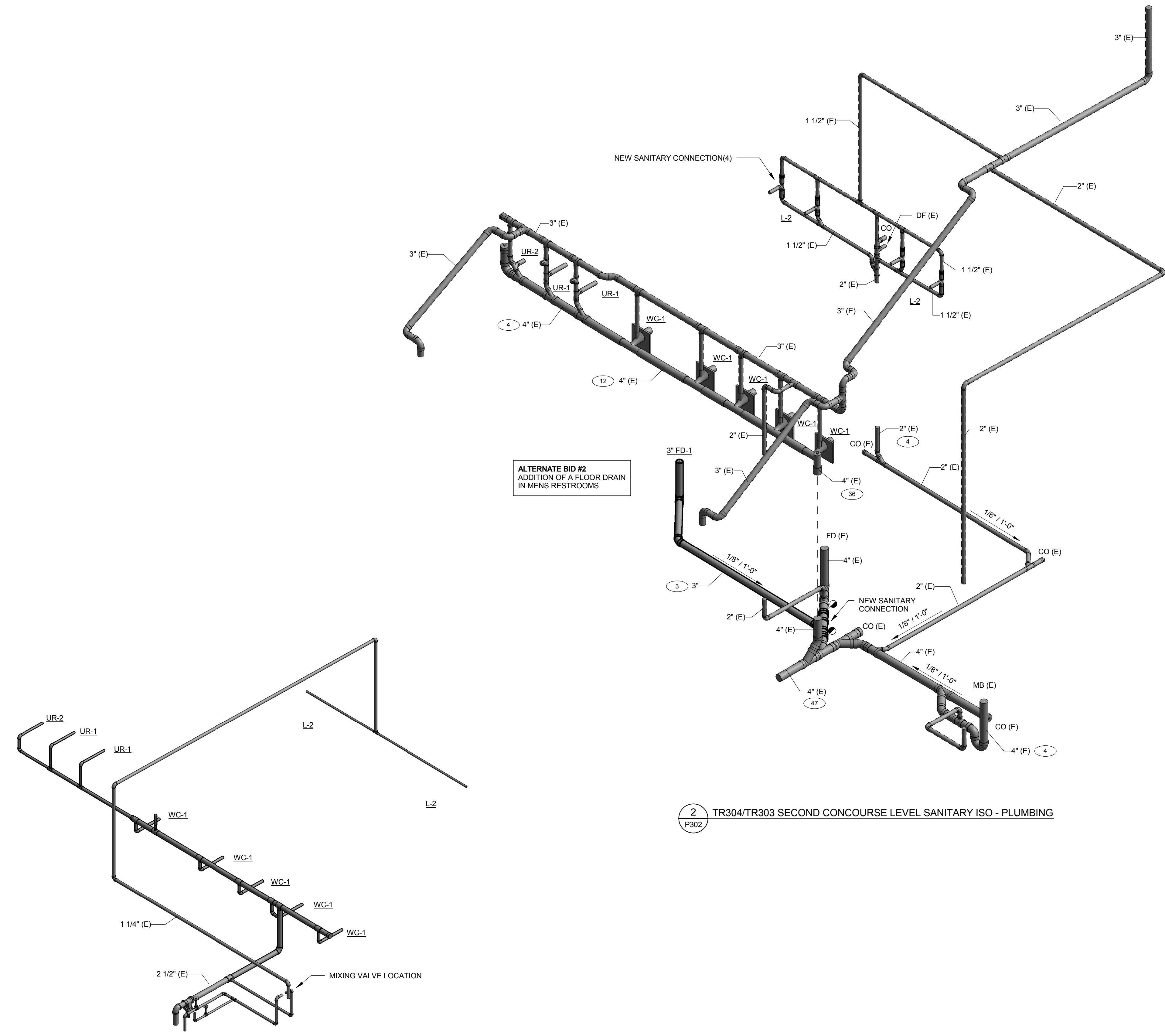
6 221 MAIN CONCOURSE LEVEL WATER ISO - PLUMBING
P301

JDR
ENGINEERING, INC.
5525 NOBEL DRIVE
SUITE 110
MADISON, WI 53711
PH: 608.277.1728 FAX: 608.271.7046
JDR PROJECT NO. 170007

Architecture
Planning

Dorschner/Associates, Inc.
849 E. Washington Ave., Ste 112
Madison, Wisconsin 53703

ISSUED



2 TR304/TR303 SECOND CONCOURSE LEVEL SANITARY ISO - PLUMBING
P302

3 TR304/TR303 SECOND CONCOURSE LEVEL WATER ISO - PLUMBING
P302

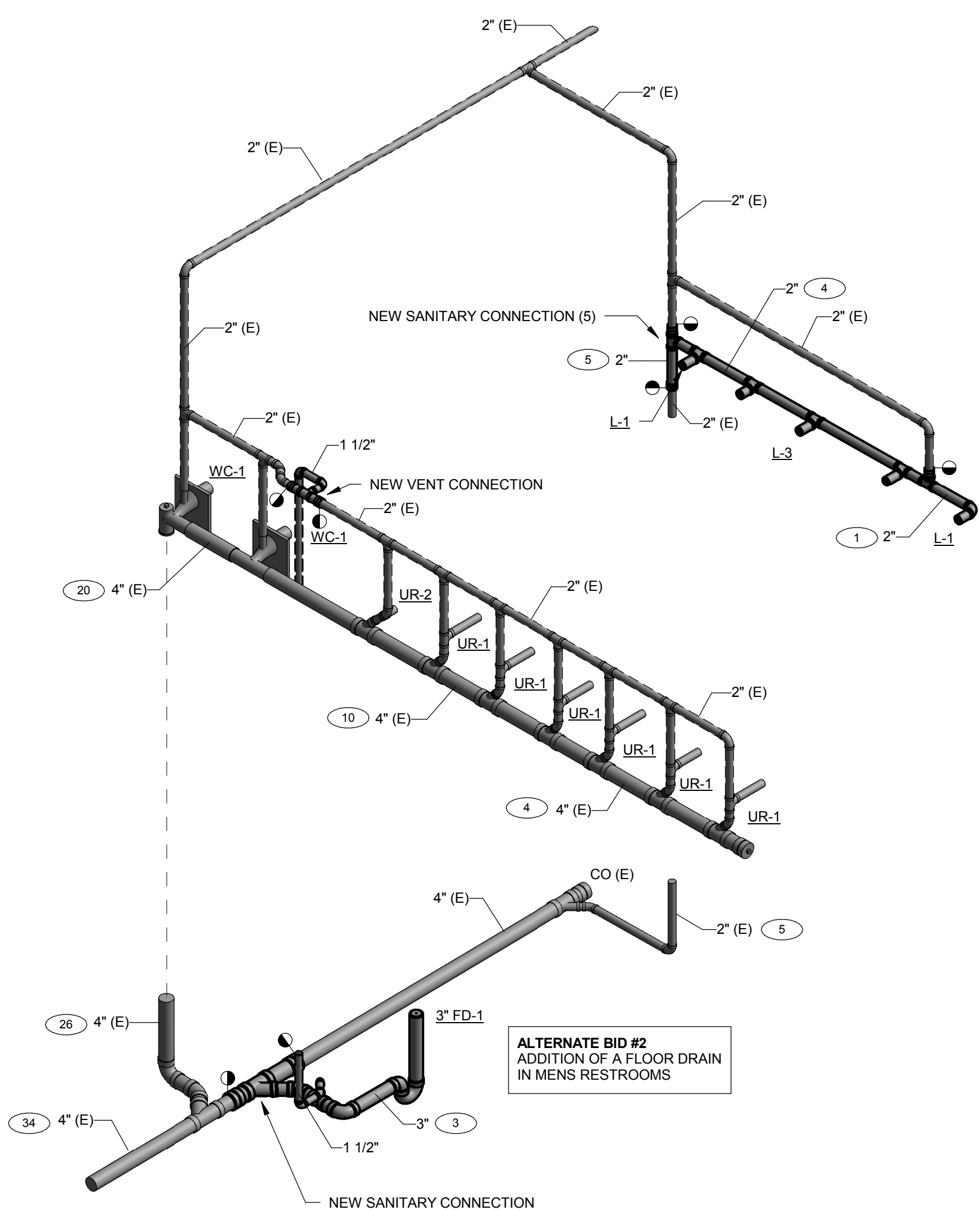
PROJECT
COLISEUM RESTROOM
UPGRADES
ALLIANT ENERGY CENTER
1919 ALLIANT ENERGY
CENTER WAY
MADISON, WISCONSIN

DRAWING
ISOMETRICS -
PLUMBING

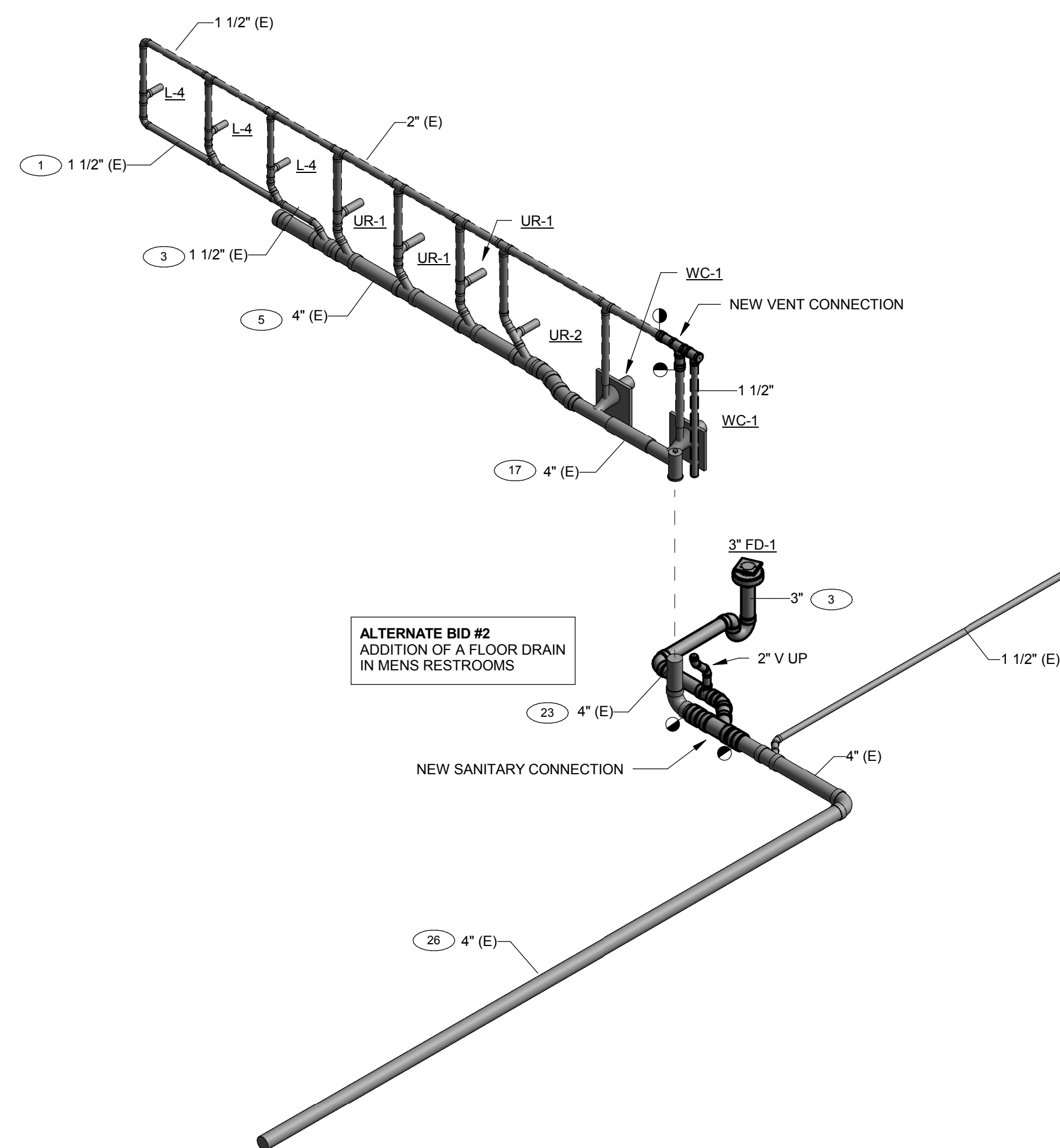
DATE
03.28.17

JDR ENGINEERING, INC.
5525 NOBEL DRIVE
SUITE 110
MADISON, WI 53711
PH: 608.277.1728 FAX: 608.271.7046
JDR PROJECT NO. 170007

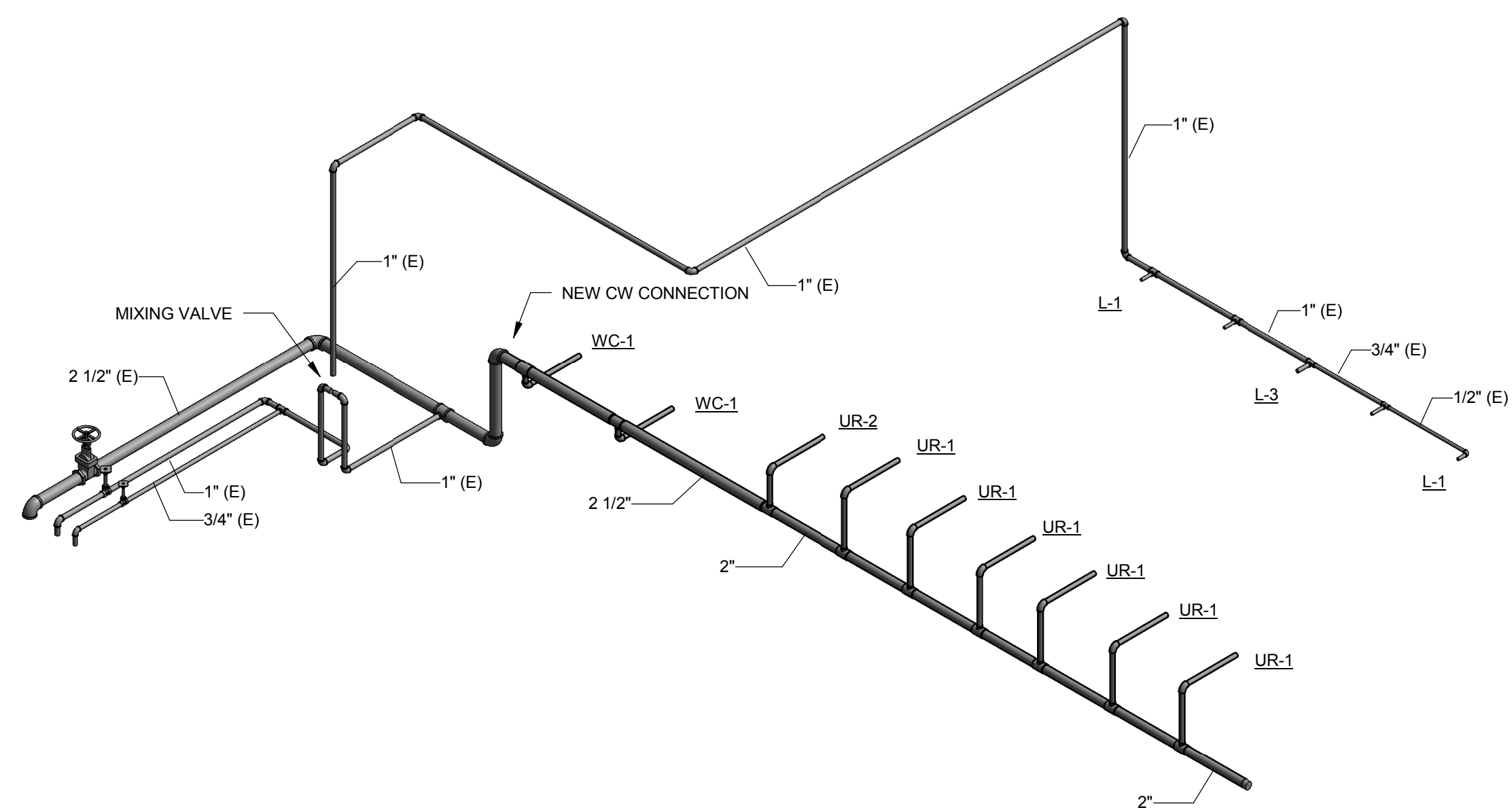
P302



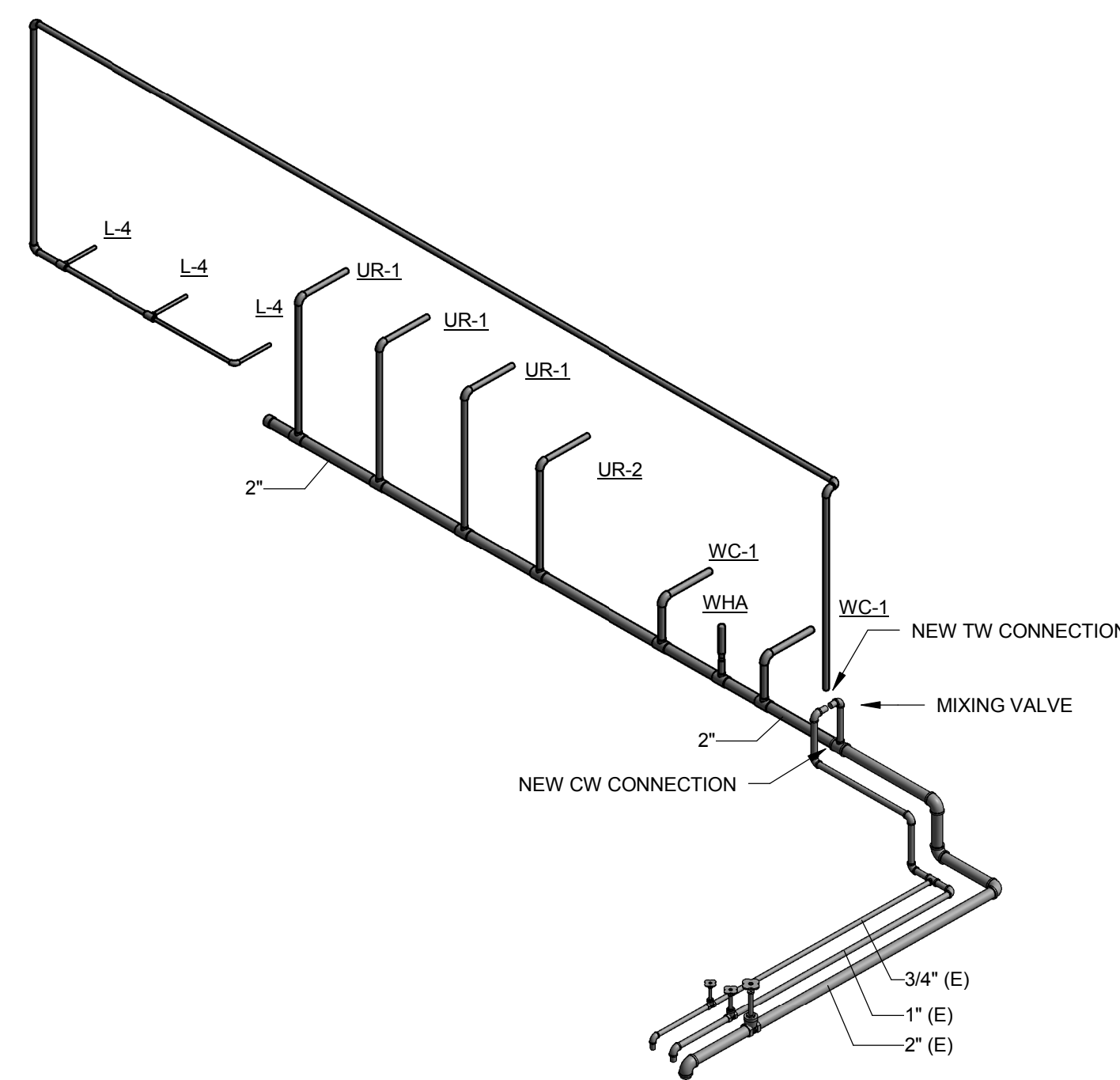
5 TR340 MAIN CONCOURSE LEVEL SANITARY ISO - PLUMBING
P303



2 TR313 SECOND CONCOURSE LEVEL SANITARY ISO - PLUMBING
P303



6 TR340 MAIN CONCOURSE LEVEL WATER ISO - PLUMBING
P303



3 TR313 SECOND CONCOURSE LEVEL WATER ISO - PLUMBING
P303

PROJECT
COLISEUM RESTROOM
UPGRADES
ALLIANT ENERGY CENTER
1919 ALLIANT ENERGY
CENTER WAY
MADISON, WISCONSIN

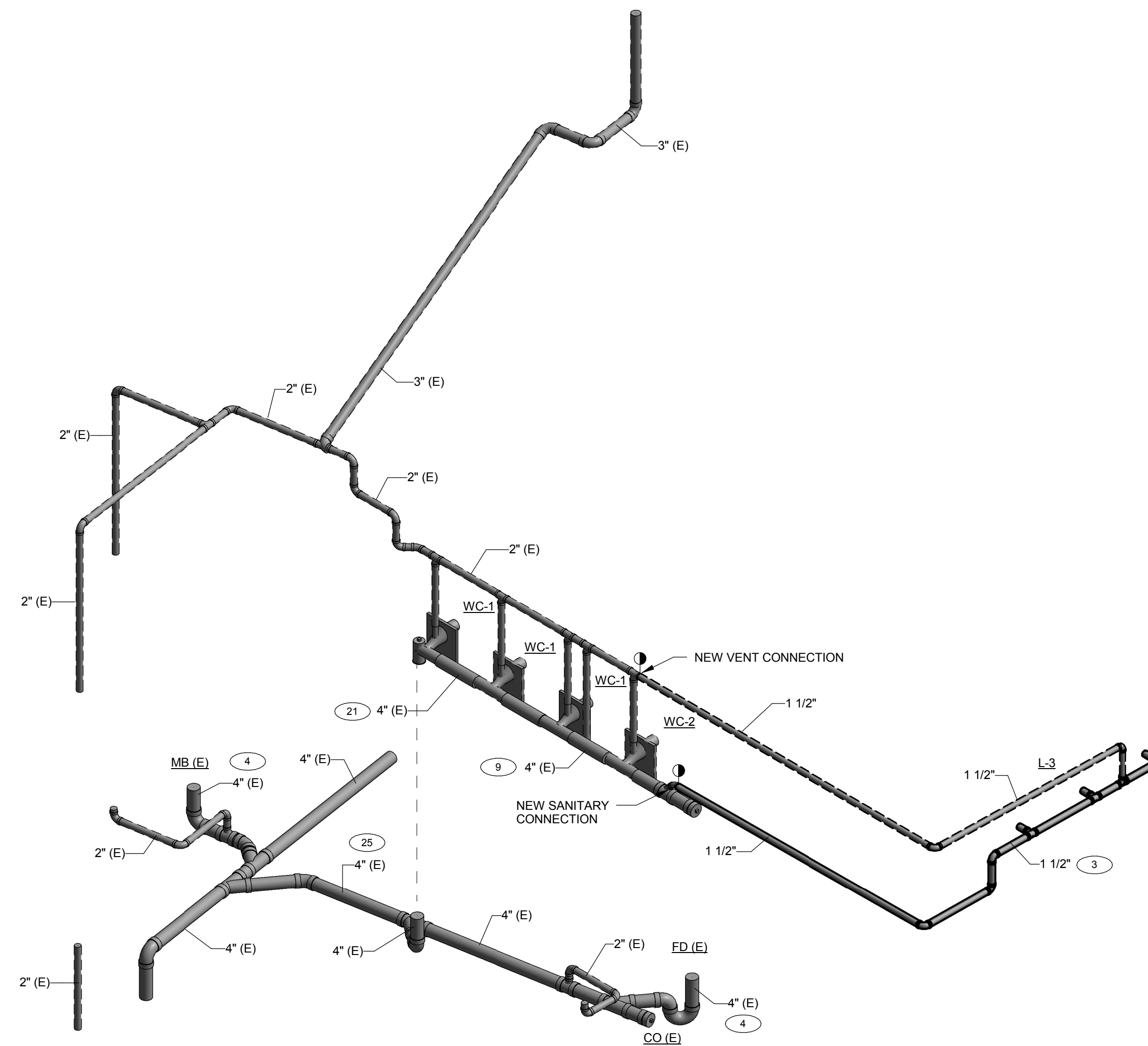
DRAWING
ISOMETRIC S-
PLUMBING

DATE
03.28.17

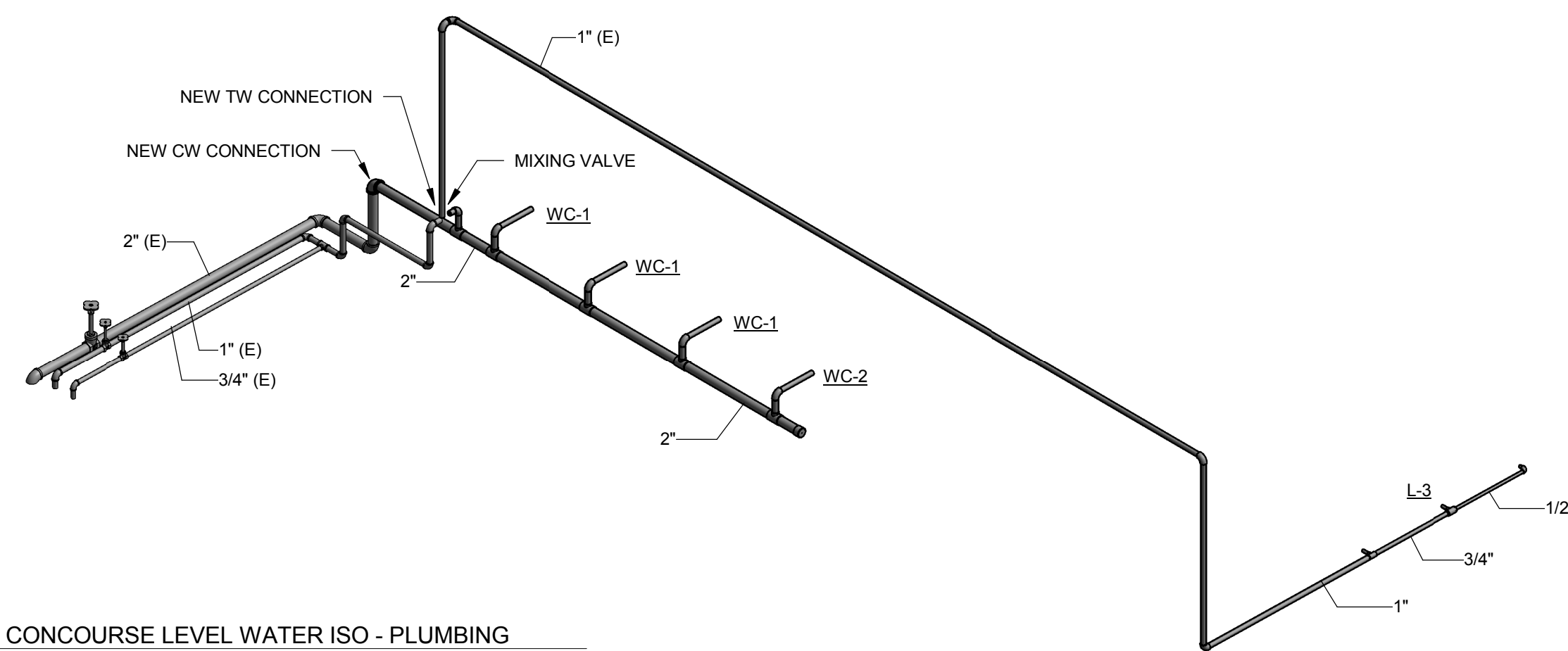
JDR
ENGINEERING, INC.
5525 NOBEL DRIVE
SUITE 110
MADISON, WI 53711
PH: 608.277.1728 FAX: 608.271.7046
JDR PROJECT NO. 170007

P303

ISSUED



2 TR337 MAIN CONCOURSE LEVEL SANITARY ISO - PLUMBING
P304



3 TR337 MAIN CONCOURSE LEVEL WATER ISO - PLUMBING
P304

JDR
ENGINEERING, INC.
5525 NOBEL DRIVE
SUITE 110
MADISON, WI 53711
PH: 608.277.1728 FAX: 608.271.7046
JDR PROJECT NO. 170007

PROJECT
COLISEUM RESTROOM
UPGRADES
ALLIANT ENERGY CENTER
1919 ALLIANT ENERGY
CENTER WAY
MADISON, WISCONSIN

DRAWING
ISOMETRICS -
PLUMBING

DATE
03.28.17

P304

Architecture
Planning

Dorschner/Associates, Inc.
849 E. Washington Ave., Ste 112
Madison, Wisconsin 53703

ISSUED

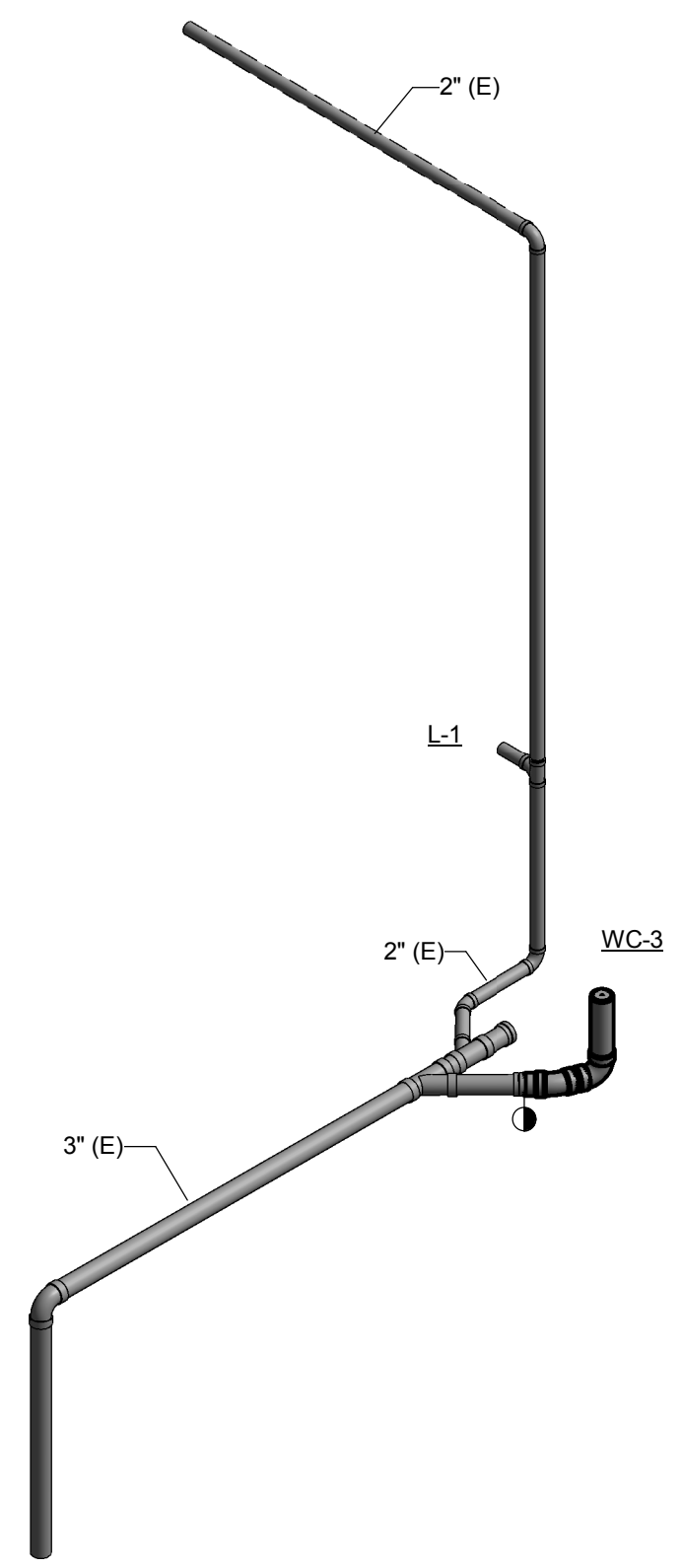
PROJECT
COLISEUM RESTROOM
UPGRADES
ALLIANT ENERGY CENTER
1919 ALLIANT ENERGY
CENTER WAY
MADISON, WISCONSIN

DRAWING
ISOMETRICS -
PLUMBING

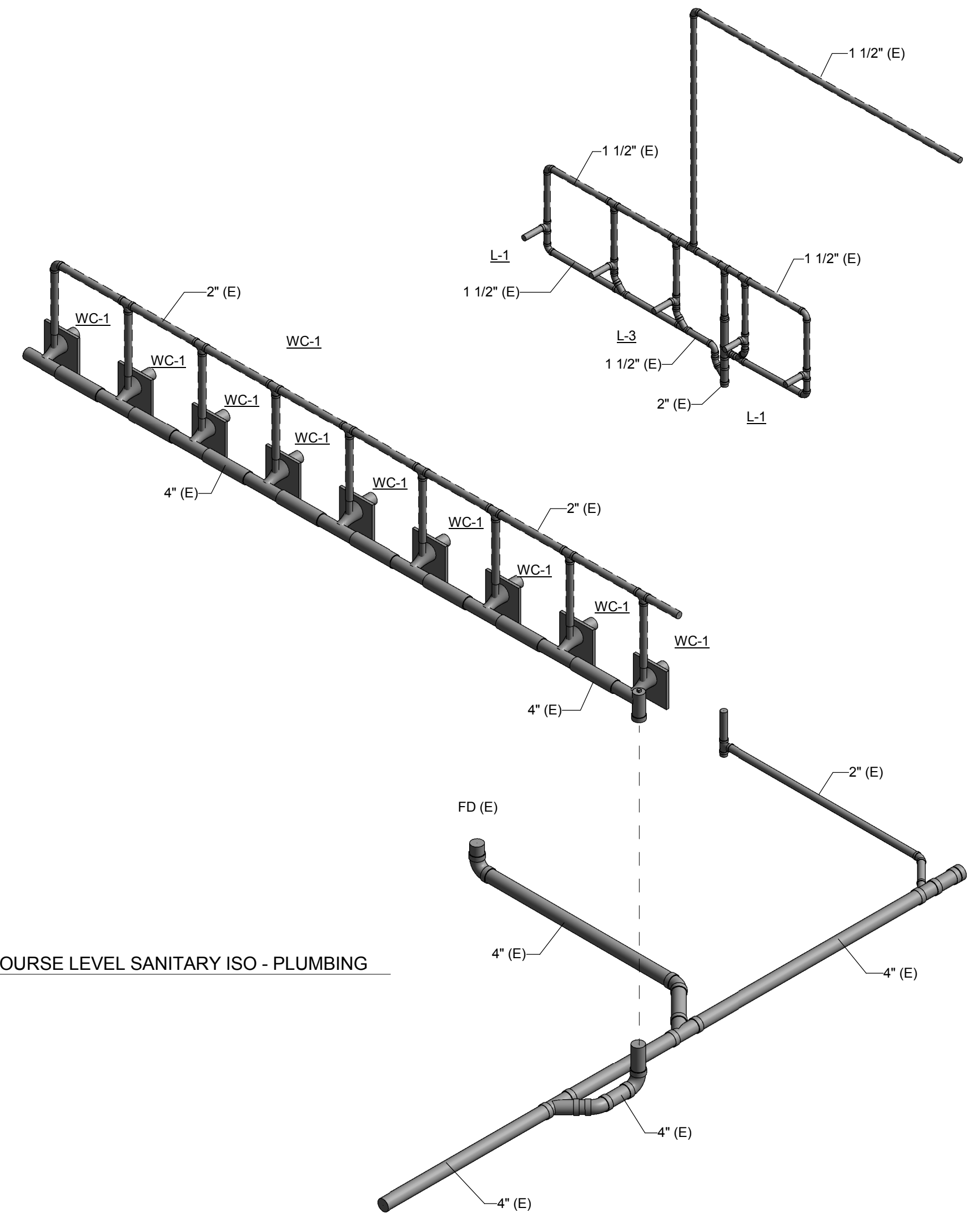
DATE
03.28.17

P305

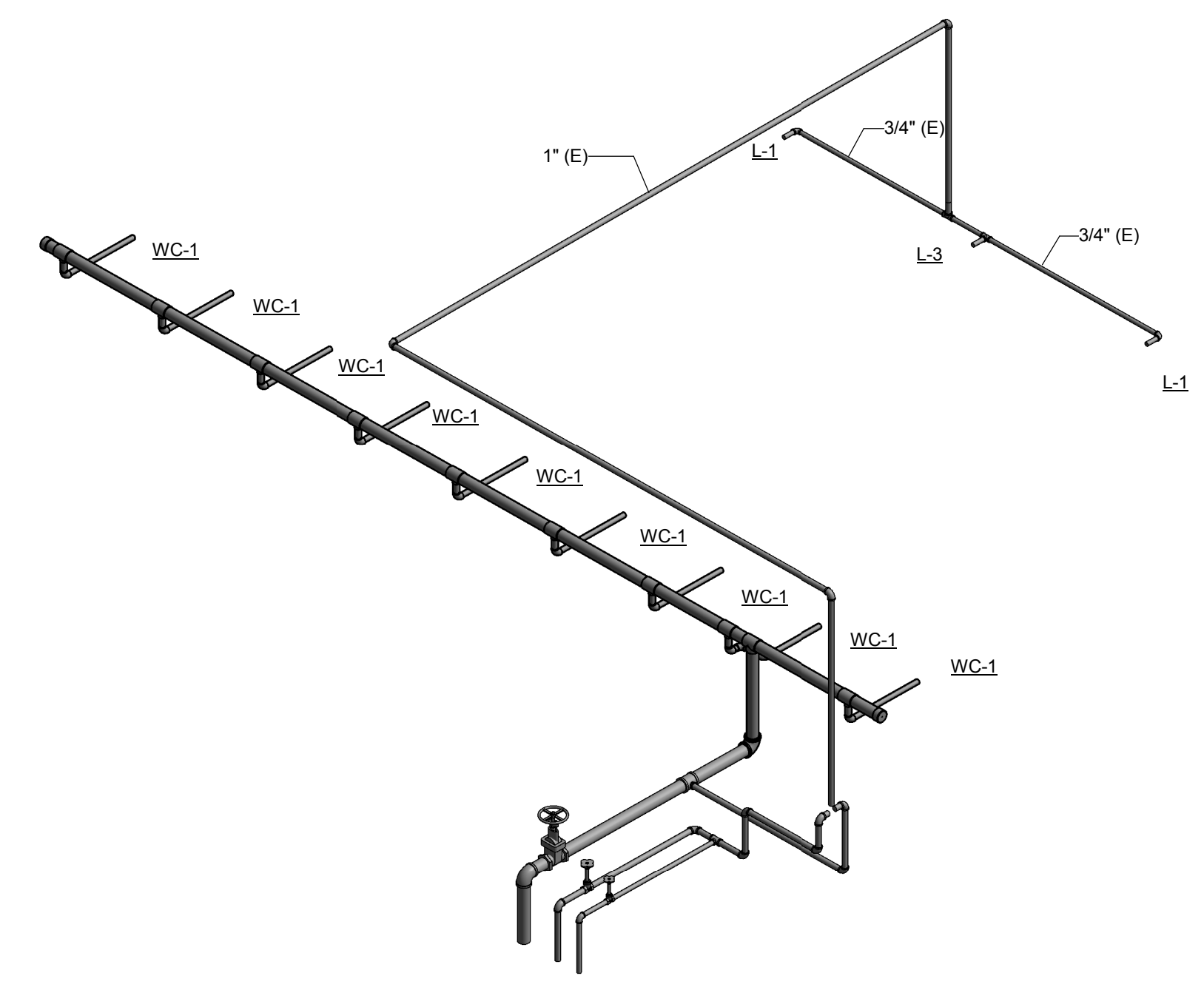
JDR
ENGINEERING, INC.
5525 NOBEL DRIVE
SUITE 110
MADISON, WI 53711
PH: 608.277.1728 FAX: 608.271.7046
JDR PROJECT NO. 170007



1 TR308 MAIN CONCOURSE LEVEL SANITARY ISO - PLUMBING
P305



2 TR310 MAIN CONCOURSE LEVEL SANITARY ISO - PLUMBING
P305



4 TR310 MAIN CONCOURSE LEVEL WATER ISO - PLUMBING
P305