

DANE COUNTY DEPARTMENT of PUBLIC WORKS, HIGHWAY and TRANSPORTATION

County Executive
Kathleen M. Falk

1919 Alliant Energy Center Way ♦ Madison, Wisconsin 53713
Phone: (608) 266-4018 ♦ Fax: (608) 267-1533

Commissioner / Director
Gerald J. Mandli

October 8, 2009

ATTENTION ALL REQUEST FOR BID (RFB) HOLDERS

RFB NO. 309025 - ADDENDUM NO. 1

GAS COMPRESSOR BUILDING

BIDS DUE: THURSDAY, OCTOBER 15, 2009, 2:00 PM. DUE DATE AND TIME ARE NOT CHANGED BY THIS ADDENDUM.

This Addendum is issued to modify, explain or clarify the original Request for Bid (RFB) and is hereby made a part of the RFB. **Acknowledge this addendum on your Bid Form.**

PLEASE MAKE THE FOLLOWING CHANGES:

1. Schedule

The completion date that was given in the specification package has changed. The product approvals and Notice To Proceed will be issued by November 5, 2009. Contractor must finish work by December 31, 2009.

2. Electrical, Mechanical, and HVAC

There is no electrical, mechanical, or HVAC work included in this contract.

3. Concrete

The existing floating slab was built according to the drawings included with the original specification package. The only exception to this is that the outer footings were not tapered, as shown on the original drawings. These footings are actually 2' x 2' square footings.

Contractor's engineer must coordinate the building design with the existing slab.

This contract does not include installation of any concrete slabs. Contractor is not responsible for the door landing slab that is not installed on the site.

4. Installed Equipment

Gas compression equipment, located on a skid, will be installed on the concrete slab prior to Work for this contract. Drawing 6, which shows the dimensions of this equipment, is attached to this addendum.

This equipment is used to clean and compress methane gas that is pulled from the landfill, and there is up to 1300 SCFM of gas running through the pipes at all times. This equipment will be running while the building is constructed around the gas skid, but the gas equipment can be shut down for short periods of time if absolutely necessary to complete this Work. It

is solely the Contractor's responsibility to safely construct the building around the installed equipment.

Welding and activities that cause sparks are acceptable near the equipment until the equipment is enclosed by the new building. Once the equipment is enclosed, the building must remain explosion proof.

Smoking is not allowed near the gas compression equipment at any time during the Work.

5. Permits

Contractor is responsible for obtaining all permits necessary to complete this Work. The City of Madison has jurisdiction over this site, as it relates to building permits.

6. Building Details

This building must have an interior clear height of at least 16' at all locations directly above the gas compression skid. This clearance is needed for Dane County staff to perform maintenance on the equipment.

This building will not be heated by dedicated HVAC equipment. However, it will be kept above freezing due to the natural heat of the landfill gas in the pipes, the heat of the gas compression equipment running, and the insulated walls.

As stated in specification Section 13121 – Paragraph 1.11 – Warranty, Contractor must include coverage for weather tightness of building enclosure elements after installation. Specifically, Contractor must include a 10-year weather tightness warranty.

The roll-up doors are located as indicated on the attached Drawing 7.

As part of this contract, four (4) pipes associated with the gas compression equipment will need to be supported by brackets attached to the roof framing members of the building. Once the pipes are outside of the building, braces coming up from the ground will support them. Dane County will install the ground supports. These four pipes are indicated on the attached Drawing 6 of the gas compression equipment. All of this piping will be 8" Schedule 10. Their weight is 13.7 lb/ft. Design the building to be able to handle this loading.

7. Product Substitutions

The following requests for product substitutions have been approved. Contractor must still verify that the specific product/system that they are proposing meets all requirements of the specification package.

Building Manufacturer/Supplier: A&S Buildings is approved.

Insulation: Thermal Design, Simple Saver System is approved.

8. Bid Bond

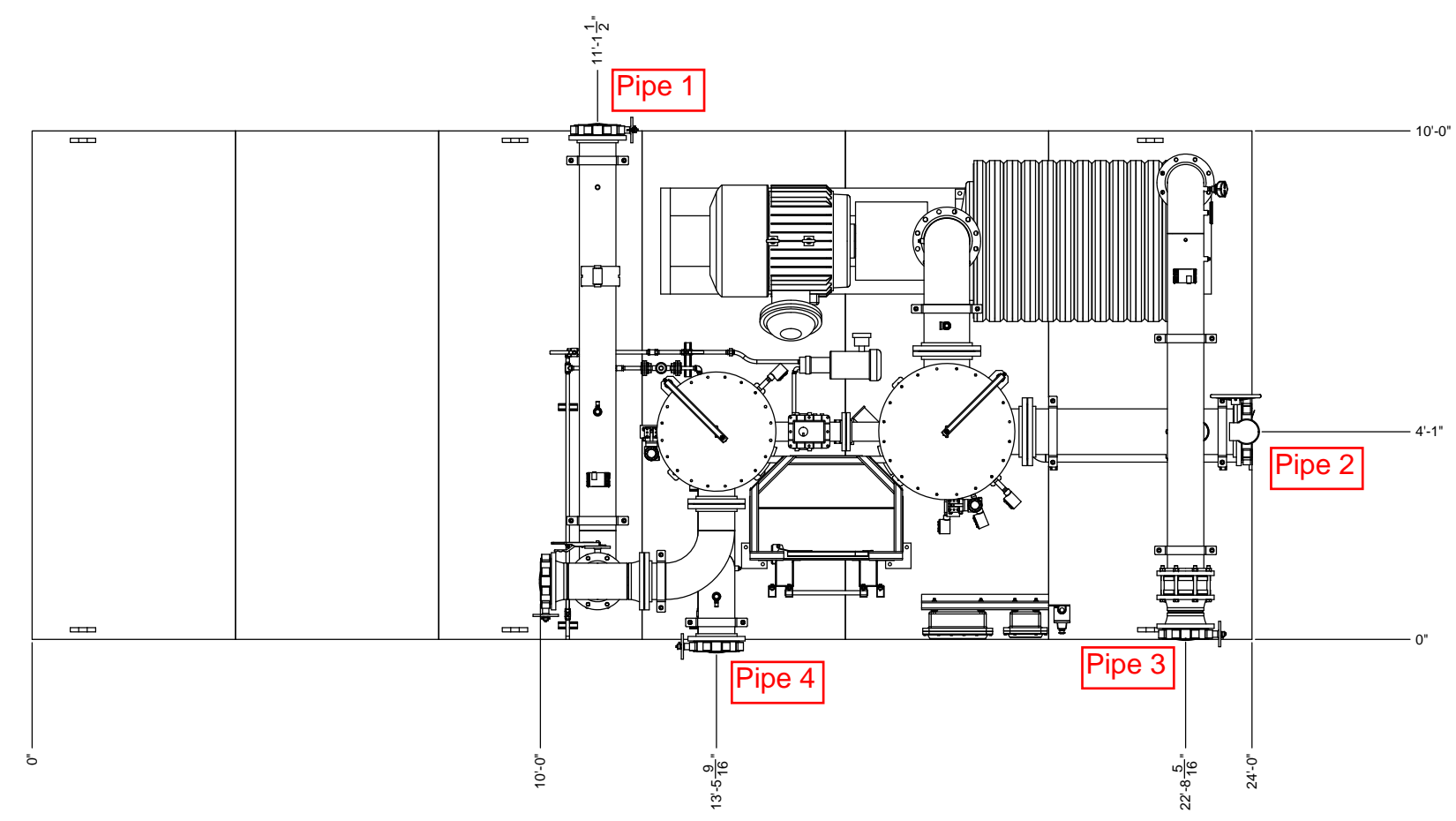
Bid Bond is not required for this project.

If any additional information about this Addendum is needed, please call John Welch at 608/267-8815, welch@co.dane.wi.us.

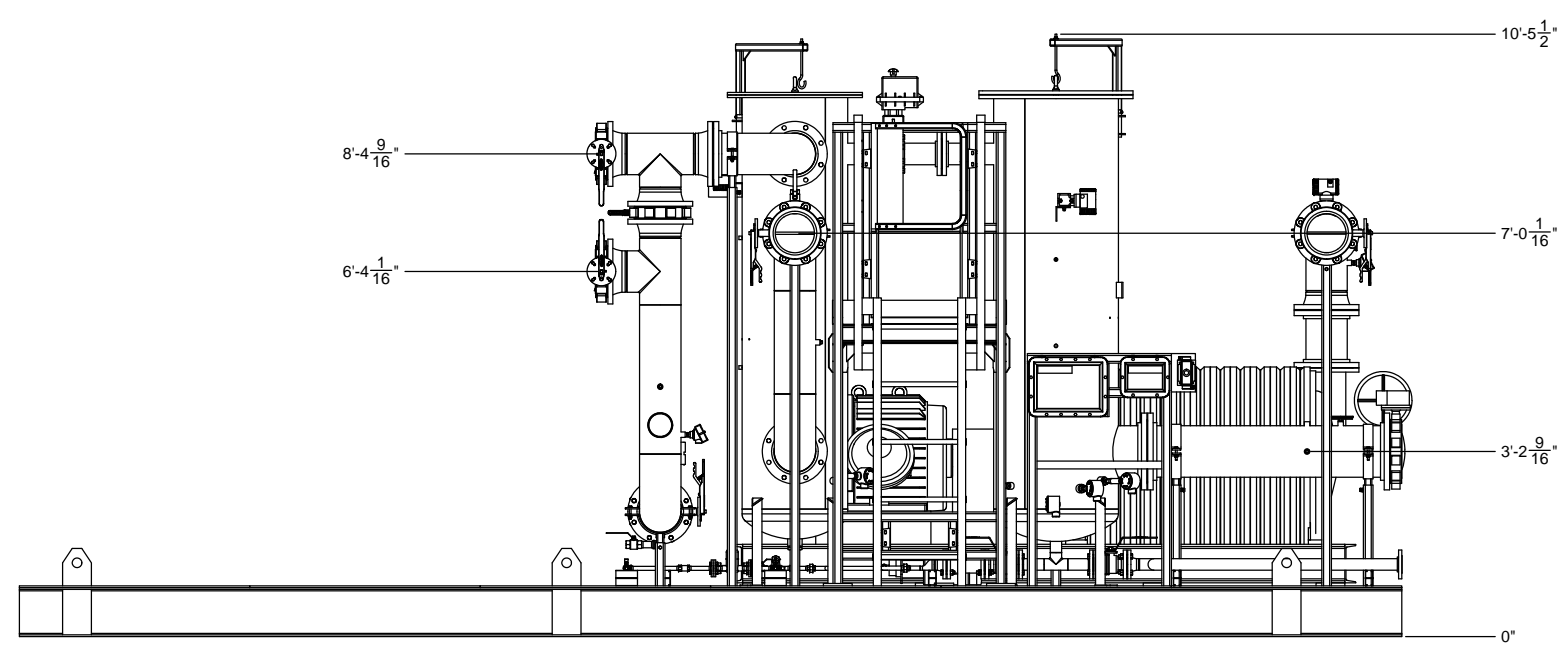
Enclosures: Drawing 6 – Gas Compression Equipment & Pipe Locations
Drawing 7 – Locations of Roll-up Doors

REVISIONS				
REV. SYMBOL	REV. BY	APPR. BY	DATE	DESCRIPTION OF CHANGE

PLAN VIEW



ELEVATION VIEW



APPROXIMATE WEIGHT OF SKID - 20,500 LBS.



Unison Solutions Inc.
5451 Chavenelle Road
Dubuque, IA 52002
PHONE: 563-585-0967 FAX: 563-585-0970

PROPRIETARY AND CONFIDENTIAL DESIGN AND CONTENT OF THIS DRAWING REMAINS THE PROPERTY OF UNISON SOLUTIONS INC. THIS DRAWING MAY NOT BE DISTRIBUTED TO A THIRD PARTY WITHOUT THE CONSENT OF UNISON SOLUTIONS INC.			
PROJECT	081 - DANE CO.		
DESCRIPTION	BLOWER SKID - PRE FAB LAYOUT		
DRAWN BY	MLM	DATE	7/28/2009
REVISION	-	DWG. NO.	6L-081-13

Fiber Reinforced
Concrete Apron
3 lbs per cubic yard

