



**DANE COUNTY DEPT. OF  
PUBLIC WORKS, HIGHWAY &  
TRANSPORTATION**

1919 Alliant Energy Center Way  
Madison, Wisconsin 53713  
Office: 608/266-4018 ♦ Fax: 608/267-1533  
Public Works Engineering Division  
Public Works Solid Waste Division

# **ADDENDUM**

---

November 22, 2017

**ATTENTION ALL REQUEST FOR BID (RFB) HOLDERS**

**RFB NO. 316048 (REBID) - ADDENDUM NO. 1**

**NEW RESTROOM FACILITY - HENRY VILAS ZOO**

---

**BIDS DUE: TUESDAY, DECEMBER 5, 2017, 2:00 PM. DUE DATE AND  
TIME ARE NOT CHANGED BY THIS ADDENDUM.**

---

This Addendum is issued to modify, explain or clarify the original Request for Bid (RFB) and is hereby made a part of the RFB. **Acknowledge this addendum on the Bid Form.**

**CHANGES TO BIDDING REQUIREMENTS:**

None

**CHANGES TO SPECIFICATIONS:**

1. 06 18 00 Glued-Laminated Construction
  - a. 1.4 Submittals add: E. Two, 6 inch square properly labeled final finish samples of each stain color on actual species of wood for project. Architect will provide control sample prior to submittal for range of stain color.
  - b. 2.1 Structural Glued-Laminated Timber, revise B. to read: Species and Grades for Structural Glued-Laminated Timber: Western Species conforming to structural documents. Other species may be substituted if all structural requirements are met.
  - c. 2.3 Fabrication, add D: Submit manufacturer's recommended sealing system specific to species.
  - d. 2.4 Factory Finishing, revise to read: A. Submit manufacturer's recommended finish systems with stain similar to the requirements of specification 09 90 00.
  
2. 08 71 00 Hardware
  - a. 3.05 Hardware Schedule, A. Manufacturers  
Revise 2. Lockset, a. Approved equals to read: Provide 7-pin interchangeable core cylinders to match existing. New cylinders shall be coordinated and keyed into existing masterkey system. Best Access Systems to accept core is an acceptable equal.
  - b. 3.05 Hardware Schedule, A. Manufacturers

**Addendum No. 1**

RFB No. 316048 (REBID)

Add: 7. Reese is an acceptable equal manufacturer for products equivalent to NGP specified: weatherstrip 678, sweep 323, threshold S471, rain drip R201, seals 797, threshold S483.

- c. Revise Set 05 to:
    - 3 EA SPRING HINGES LB4390-350 630 BOM coord w/ steel door/frame dimension
    - 1 EA DEADBOLT MBT-3-S 626 MARSHALL BEST
    - 1 EA GATEBOX COORD W/ HARDWARE KEEDEX
    - Paint Gate Box to match steel door/frame
  - d. Omit Door and Frame Schedule in 08 71 00. Refer to attached sheet A700.
3. 23 07 00, Page 9, Duct Insulation Schedule: Revise “Concealed Supply Ducts (Downstream of Duct Furnace and All Furnaces)” to say “Supply Ducts (Downstream of Duct Furnace and All Furnaces)”.

#### CHANGES TO DRAWINGS:

- 4. G100 Cover Sheet
  - a. Add: A700 Details and Door Schedule.
- 5. C100 Demo Plan
  - a. Revise note on the south side of the building at the 4 trees within the patio and the 2 trees at the southeast corner of the patio from “Protect trees during construction” to “Remove trees. Contractor to coordinate removal with Owner.”
- 6. A601 Wall Sections
  - a. Detail 5A601: Revise Top of Masonry from 106’-8” to 107’-4”. Bottom of Fiber Cement Board remains 106’-8”. Where the Furnace Enclosure does not exist, Fiber Cement Board is one board high all masonry walls 107’-4” in height.
- 7. A700 Details
  - a. Add sheet A700 and replace Door and Frame Schedule in section 08 71 00 with the schedule on A700.
- 8. S100 Foundation Plan and General Structural Notes
  - a. Add the following Plan Note “Refer to architectural for CMU wall locations.”
- 9. E000 - Symbols, Abbreviations, Riser Diagram & Sheet Index, Revised drawing attached.
  - a. Changed service on riser to 400 amps resized wire and conduit to fit new 400 amp service
  - b. Added note about reusing existing conduit.
- 10. E010 - Site plan Electrical
  - a. Revise Key note 1 to read: Provide new 400 amp 120/240-volt single phase service to new meter/meter socket.
- 11. E200 – Electrical Schedules
  - a. Revise panel A from 200 amp service to 400 amp service.

#### Enclosures:

A700

E000

Pre-Bid Sign Up Sheet

#### **Addendum No. 1**

RFB No. 313093 (REBID)

Architecture  
Planning

DorschnerAssociates, Inc.  
849 E. Washington Ave., Ste 112  
Madison, Wisconsin 53703

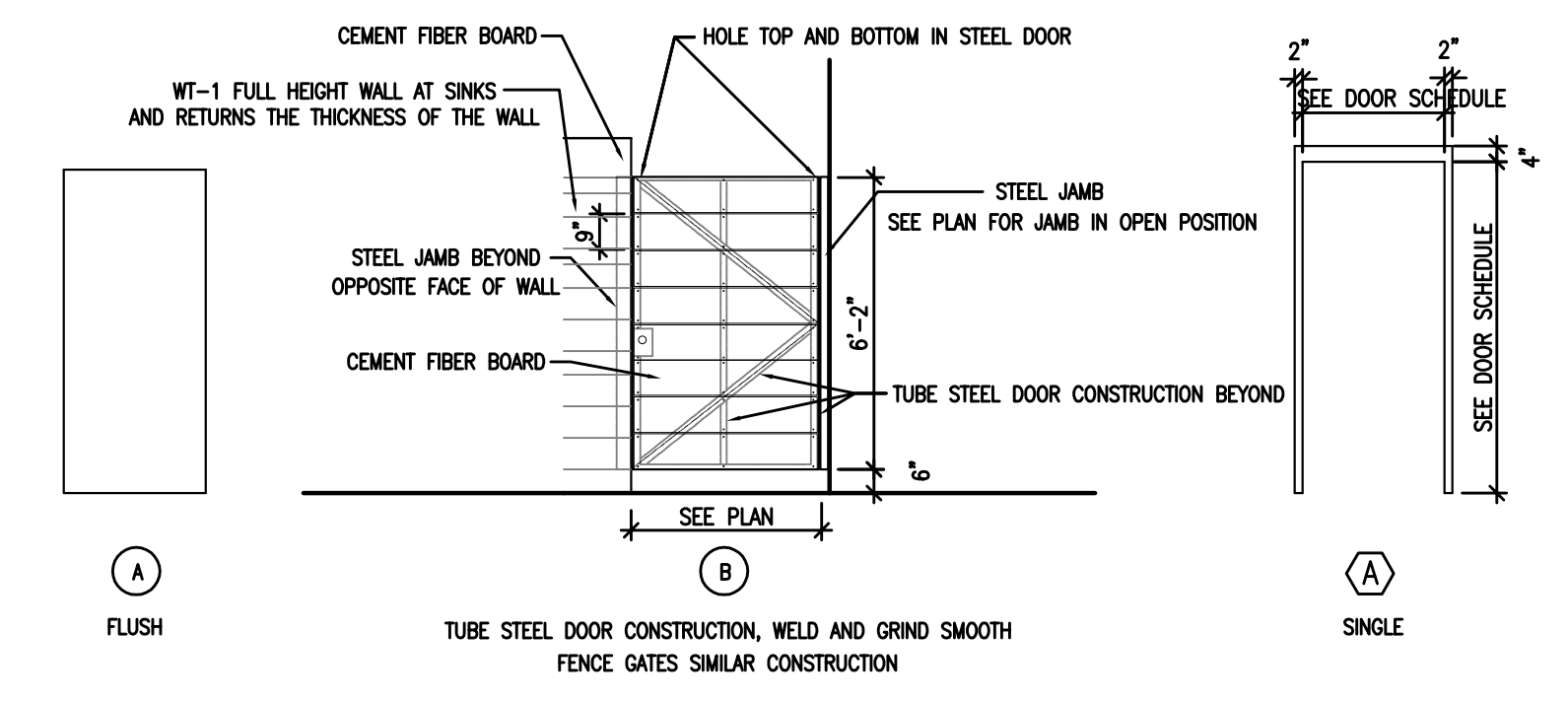
**ISSUED**  
REBID 10.26.17  
ADDENDUM NO 1 11.21.17

**PROJECT**  
HENRY VILAS ZOO  
NEW RESTROOM FACILITY  
1246 VILAS PARK DRIVE  
MADISON, WISCONSIN

**DRAWING**  
DETAILS & DOOR  
SCHEDULE

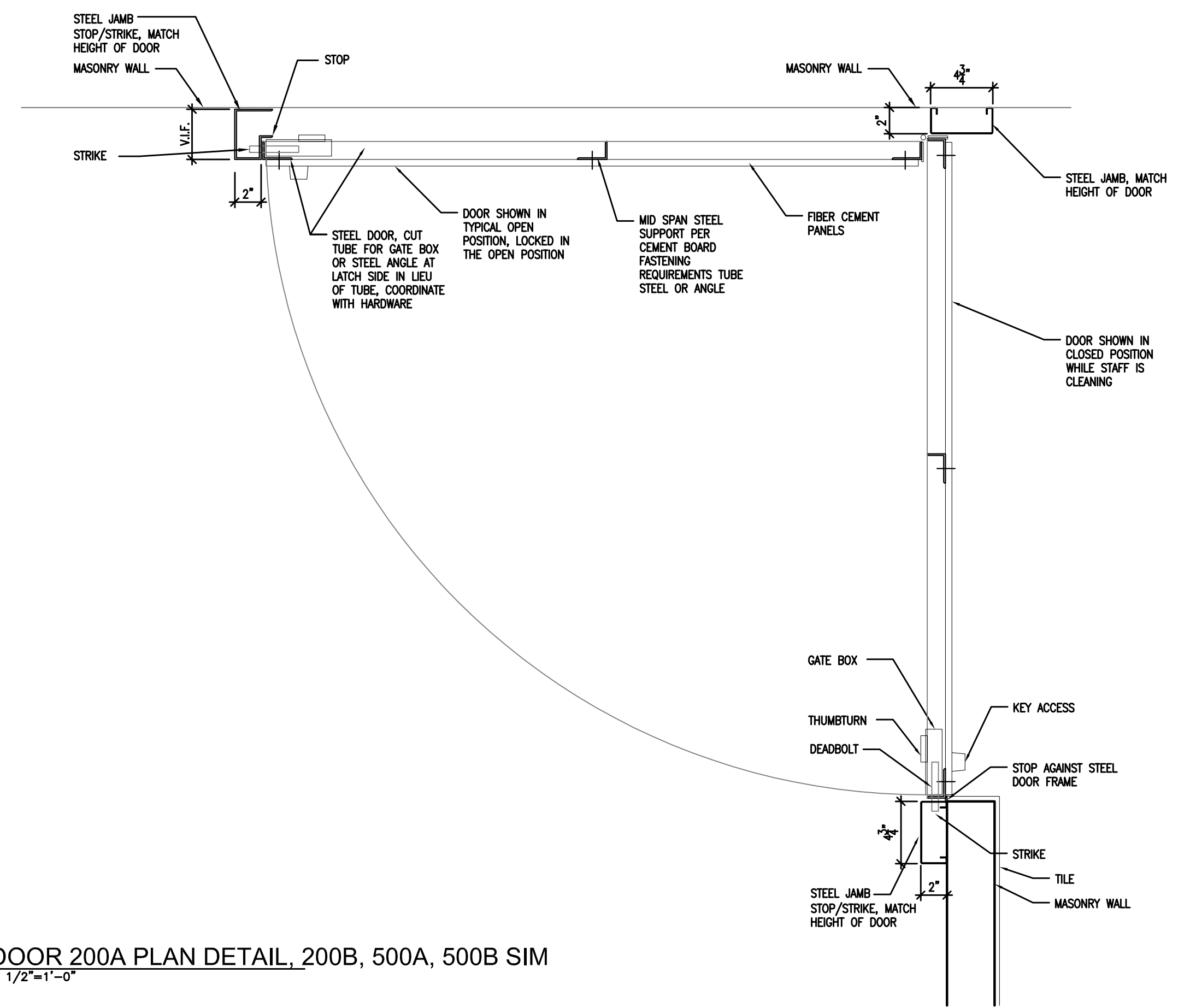
**DATE**  
11.15.16

**A700**



1 DOOR AND FRAME ELEVATIONS  
1/4"=1'-0"

2 NOT USED



3 DOOR 200A PLAN DETAIL, 200B, 500A, 500B SIM  
1/2"=1'-0"

DOOR AND FRAME SCHEDULE															
DOOR NO.	QNTY	DOOR						FRAME					FIRE LABEL	HWGR GROUP	REMARKS
		W	H	T	MATERIAL	ELEV	GLASS	LOUVER OR UNDERCUT	MATL	ELEV	HEAD	JAMB			
100	1	3-0	7-0	--	HM	A	--	--	HM					1	
101	1	3-0	7-0	--	HM	A	--	--	HM					2	
200	2	3-0	7-0	--	HM	A	--	--	HM					3	
200A	1	4-0	6-2	--	STEEL	B	--	--	STEEL	B		SA700		5	1
200B	1	4-0	6-2	--	STEEL	B	--	--	STEEL	B		SA700		5	1
200C	1	3-0	7-0	--	HM	A	--	--	HM					2	
300	1	3-0	7-0	--	HM	A	--	--	HM					8	
400	1	3-0	7-0	--	HM	A	--	--	HM					8	
500	2	3-0	7-0	--	HM	A	--	--	HM					4	
500A	1	3-8	6-2	--	STEEL	B	--	--	STEEL	B		SA700		5	1
500B	1	3-8	6-2	--	STEEL	B	--	--	STEEL	B		SA700		5	1
500C	1	3-0	7-0	--	HM	A	--	--	HM					6	
600A	1	3-0	7-0	--	HM	A	--	--	HM					2	
600B	1	3-0	7-0	--	HM	A	--	--	HM					6	
600C	1	3-0	7-0	--	HM	A	--	--	HM					7	

GENERAL NOTES:  
1. PAINT ALL HM FRAMES/DOORS TO MATCH ARCHITECT'S SAMPLE  
2. 4" HEAD TYPICAL ALL HM FRAMES, COORDINATE WITH MASONRY COURSING

REMARKS:  
1. SEE PLAN FOR CONFIGURATION. PROVIDE CUSTOM STEEL JAMBS WITH STOPS. STOPS REQUIRED AT BOTH CLOSED AND OPEN POSITION TO ALLOW DEADBOLT TO LOCK IN THE OPEN POSITION. PROVIDE 2" MINIMUM FRAME DIMENSION WITH PROFILE COORDINATED WITH ALL HARDWARE. BENT METAL ACCEPTABLE AT STOPS IN CLOSED POSITION IF FULLY COORDINATED TO PROVIDE STOPS AND ACCOMMODATE DEADBOLT. DOOR FRAME TO BE 1 3/4" STEEL FRAME PERIMETER FOR ATTACHMENT OF FIBER CEMENT PANELS. FIELD VERIFY ALL MASONRY DIMENSIONS PRIOR TO FABRICATION OF DOOR OR JAMBS.

LEGEND  
HM HOLLOW METAL  
UC UNDERCUT

Architecture  
Planning

DorschnerAssociates, Inc.  
849 E. Washington Ave., Ste 112  
Madison, Wisconsin 53703

C16100  
**CZARNECKI ENGINEERING INCORPORATED**  
101 MARLIN COURT, SUITE B - WAUKESHA, WI 53186  
VOICE: (262) 513-2010 FAX: (262) 513-2013  
WEB PAGE: www.czeng.com  
FACEBOOK: www.facebook.com/CzarneckiEngineeringInc

**ISSUED**

11.21.17 ADDENDUM 1  
REBID 10.26.17

**PROJECT**  
HENRY VILAS ZOO  
NEW RESTROOM FACILITY  
1246 VILAS PARK DRIVE  
MADISON, WISCONSIN

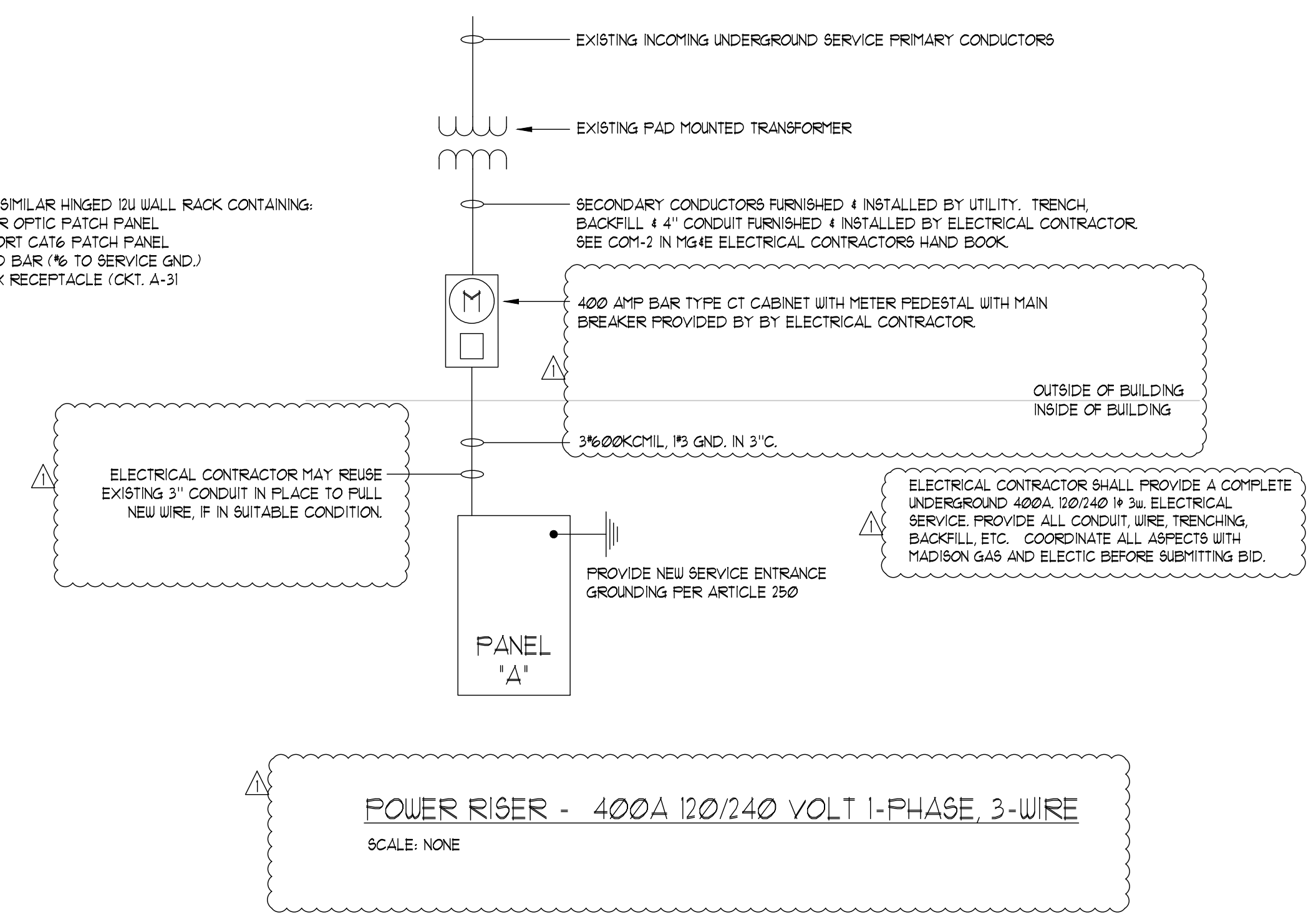
**DRAWING**  
SYMBOLS, ABBREVIATIONS,  
RISER DIAGRAM & SHEET  
INDEX  
**DATE**  
11.28.16

**E000**



- PROVIDE A SIMILAR HINGED 12U WALL RACK CONTAINING:
- 2U FIBER OPTIC PATCH PANEL
  - 1U 24 PORT CAT6 PATCH PANEL
  - GROUND BAR (AS TO SERVICE GND.)
  - DUPLEX RECEPTACLE (CKT. A-3)

**WALL MOUNTED DATA RACK**  
SCALE: NONE



**ELECTRICAL SYMBOLS**

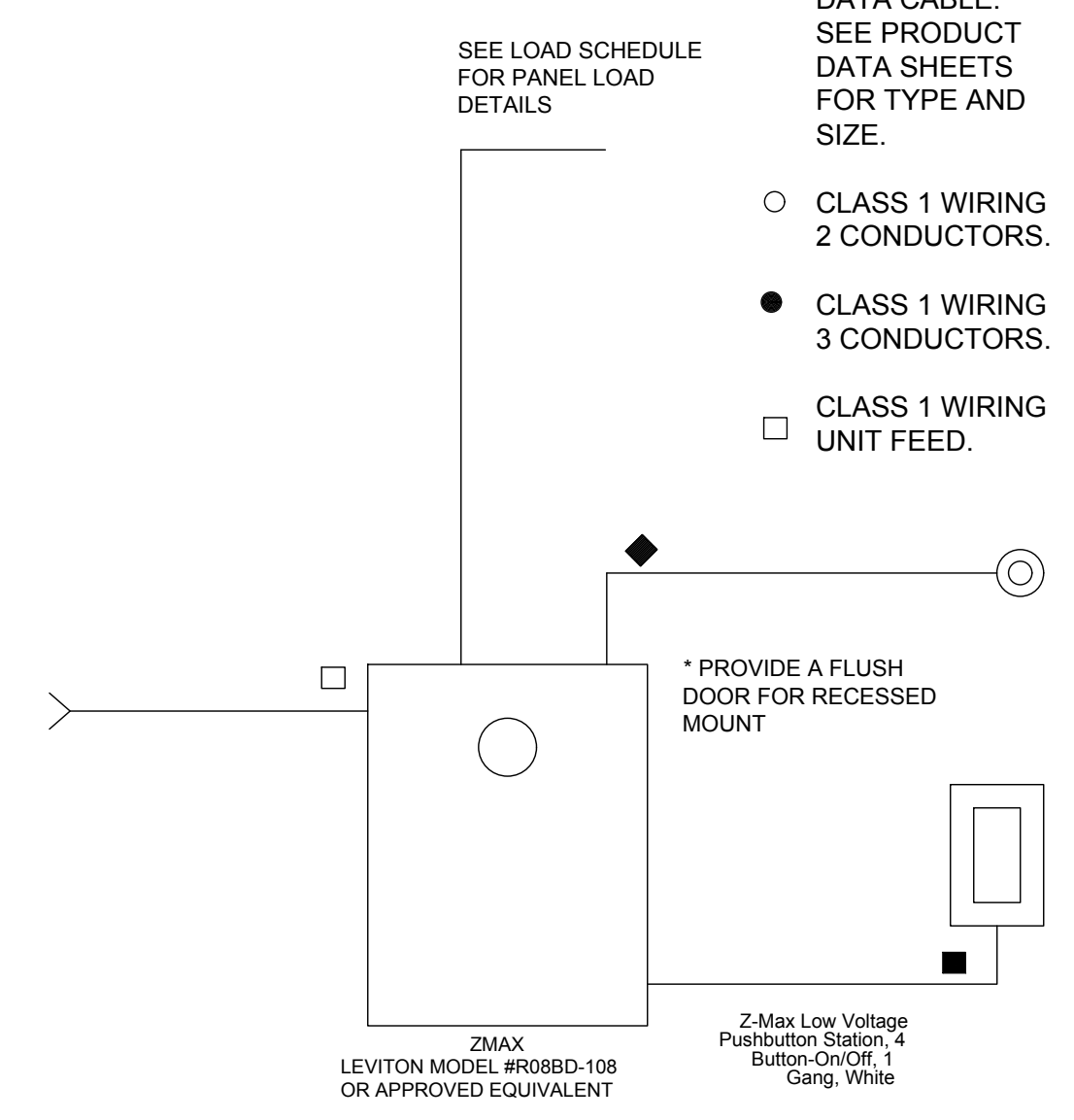
- LED UP/DOWN OR DOWN ONLY WALL BRACKET
- LED RECESSED DOWNLIGHT
- LED GROUND MOUNTED UPLIGHT
- LED WALL MOUNTED FIXTURE
- LED RECESSED UPLIGHT
- SINGLE POLE TOGGLE SWITCH (3) THREE WAY (K) KEY (OS) OCCUPANCY SENSOR MOUNT 48" ABOVE FLOOR TO TOP OF BOX.
- EMERGENCY BATTERY UNIT, WALL MOUNTED
- WALL MOUNTED EXIT SIGN WITH EMERGENCY BATTERY HEADS
- WALL MOUNTED EXIT SIGN
- OCCUPANCY SENSOR
- SWITCH AND DUPLEX RECEPTACLE IN SAME BOX - MOUNT 48" ABOVE FLOOR TO TOP OF BOX.
- DUPLEX RECEPTACLE 15" ABOVE FLOOR TO BOTTOM OF BOX OR HEIGHT AS INDICATED
- DUPLEX RECEPTACLE ON WALL NEAR WINDOW SILL MOUNT AS HIGH AS POSSIBLE WEATHERPROOF, GFI
- DUPLEX RECEPTACLE 15" ABOVE FLOOR TO BOTTOM OF BOX OR HEIGHT AS INDICATED
- DUPLEX RECEPTACLE HORIZONTAL ABOVE COUNTER
- DEAD FRONT GFCI
- SPECIAL OUTLET
- MOTOR
- DISCONNECT SWITCH
- JUNCTION BOX
- CONTACTOR
- TIME CLOCK
- VOICE/DATA/POS OUTLET
- HAND HOLE
- ELECTRICAL PANEL
- DETAIL NUMBER
- NOTE OR DETAIL SYMBOL
- SHEET LOCATION

**ABBREVIATIONS**

- AFF ABOVE FINISHED FLOOR
- AFG ABOVE FINISHED GRADE
- BFG BELOW FINISHED GRADE
- BOL BUILT-IN OVERLOAD
- C CONDUIT
- CKT CIRCUIT
- CB COMBINATION STARTER
- D DEDICATED
- DD DOUBLE DUPLEX
- EC ELECTRICAL CONTRACTOR
- EWC ELECTRIC WATER COOLER
- ER EXISTING TO BE REMOVED
- ERL EXISTING RELOCATED (NEW LOCATION)
- ETL EXISTING TO BE RELOCATED (OLD LOCATION)
- EX EXISTING TO REMAIN
- FACP FIRE ALARM CONTROL PANEL
- GC GENERAL CONTRACTOR
- GFI GROUND FAULT INTERRUPTER
- HV HEATING AND VENTILATION CONTRACTOR
- IG ISOLATED GROUND
- IR IN ROOM
- IU IN UNIT
- MAN MANUAL STARTER
- MAG MAGNETIC STARTER
- MCA MINIMUM CIRCUIT AMPACITY
- NIC NOT IN CONTRACT
- NL NIGHT LIGHT
- NU NEAR UNIT
- PB PUSHBUTTON
- PC PLUMBING CONTRACTOR
- PW FIRE-WIRED
- RV REDUCED VOLTAGE STARTER
- RAI REMAIN AS IS
- SC SEPARATE CIRCUIT
- SS SPEED SWITCH
- SW SWITCH
- TC TIMECLOCK
- TS THERMOSTAT
- UM UNIT MANUFACTURER
- WP WEATHERPROOF

**SYMBOL KEY**

- △ TWO POWER CONDUCTORS AND DATA CABLE. SEE PRODUCT DATA SHEETS FOR TYPE AND SIZE.
- CLASS 1 WIRING 2 CONDUCTORS.
- CLASS 1 WIRING 3 CONDUCTORS.
- CLASS 1 WIRING UNIT FEED.
- #18 AWG MINIMUM CLASS 2 WIRING. SEE INPUT SCHEDULE FOR QTY OF CONDUCTORS.
- ◆ #18 AWG MINIMUM CLASS 2 WIRING 3 CONDUCTORS PER DEVICE.



**LIGHTING CONTROL PANEL (LCP) SYSTEM**  
SCALE: NONE

**LIGHTING CONTROL NOTES**

- LC1. CONTACTORS ARE SHOWN WITH TYPICAL LOADS AND CIRCUIT ASSIGNMENTS.
- LC2. ELECTRICAL CONTRACTOR SHALL FURNISH AND INSTALL ALL WIRING CONNECTIONS, TERMINATIONS, EQUIPMENT, RELAYS, SWITCHES, CABINETS, AUXILIARY CONTACTS, ETC. FOR A COMPLETE, FULLY OPERATIONAL AND CODE COMPLIANT LIGHTING CONTROL SYSTEM.
- LC3. ALL COMPONENTS FOR THIS LIGHTING CONTROL SYSTEM SHALL BE FURNISHED AND INSTALLED BY THE ELECTRICAL CONTRACTOR.
- LC4. ALL COMPONENTS SHALL BE UL LISTED AND LABELLED.

Z-MAX CABINET CIRCUIT SCHEDULE						PANEL LOCATION:		DATA CLOSET							
120VAC, 1 PHASE						PANEL DESCRIPTION:		8 Relay Cabinet, Master CM - 120							
						CATALOG NUMBER:		R08BD-108							
						PANEL FEED:		PANEL ID: Z-MAX							
								MOUNTING: Surface							
RELAY	CONTROL	LOAD				RELAY	CONTROL	LOAD							
NO.	TYPE	EM	LUMANET CHANNEL	VAC	LOAD WVA	CIRCUIT DESCRIPTION	FIXTURE TYPE	NO.	TYPE	EM	LUMANET CHANNEL	VAC	LOAD WVA	CIRCUIT DESCRIPTION	FIXTURE TYPE
1	S	N	---	120V	116	EXTERIOR LIGHTS	"C" AND "E"	2	S	N	---	120V	1022	CONCESSIONS / WOMEN'S AREA	"B"
3	S	N	---	120V	900	HOLIDAY LIGHTS	EXTERIOR RECEPTACLES	4	S	N	---	120V	1203	MEN'S AREA	"B"
5	S	N	---	120V	180	PICNIC SHELTER RECEPTACLE	EXTERIOR RECEPTACLE	6	S	N	---	120V	180	PICNIC SHELTER RECEPTACLE	EXTERIOR RECEPTACLE
7	S	N	---	120V	180	PICNIC SHELTER RECEPTACLE	EXTERIOR RECEPTACLE	8	S	N	---	120V	180	PICNIC SHELTER RECEPTACLE	EXTERIOR RECEPTACLE

NOTE:  
1. TIME SCHEDULE (TIME "OFF" / TIME "ON") SHALL BE PROGRAMMED WITH OWNER'S INPUT

ELECTRICAL SHEET INDEX	
SHEET NUMBER	SHEET NAME
E000	SYMBOLS, ABBREVIATIONS & SHEET INDEX
E010	SITE PLAN - ELECTRICAL
E100	FLOOR PLANS - ELECTRICAL
E200	ELECTRICAL SCHEDULES



Henry Vilas Zoo  
New Restroom Facility

RFB#316048 (ReBid)  
11/08/17

Name	Company	Phone No.
Alyssa Johnson	KSW Construction	608-345-9470 <a href="mailto:alysaj@kswconstruction.com">alysaj@kswconstruction.com</a>
Ken Lusion	Ideal Builders	608-271-8111 <a href="mailto:klusion@idealbuilders.com">klusion@idealbuilders.com</a>
Bryan Buenzli	National Construction	608-341-9766 <a href="mailto:Bryan@nciroberts.com">Bryan@nciroberts.com</a>
Daniel Kleman	Advanced Building Corporation	608-209-3836 <a href="mailto:dkleman@abcmadison.com">dkleman@abcmadison.com</a>
David Bittrick	Speedway S&G	608-513-6113 <a href="mailto:daveb@speedwaysg.com">daveb@speedwaysg.com</a>
Kurt Femrite	Daniels	608-576-7725 <a href="mailto:kfemrite@danielsco.com">kfemrite@danielsco.com</a>
Vince Laufenberg	Mckee Associates	608-271-4900 <a href="mailto:vincl@mckeeassocinc.com">vincl@mckeeassocinc.com</a>
Derek Burdick	Findorff	608-729-2107 <a href="mailto:dburdick@findorff.com">dburdick@findorff.com</a>