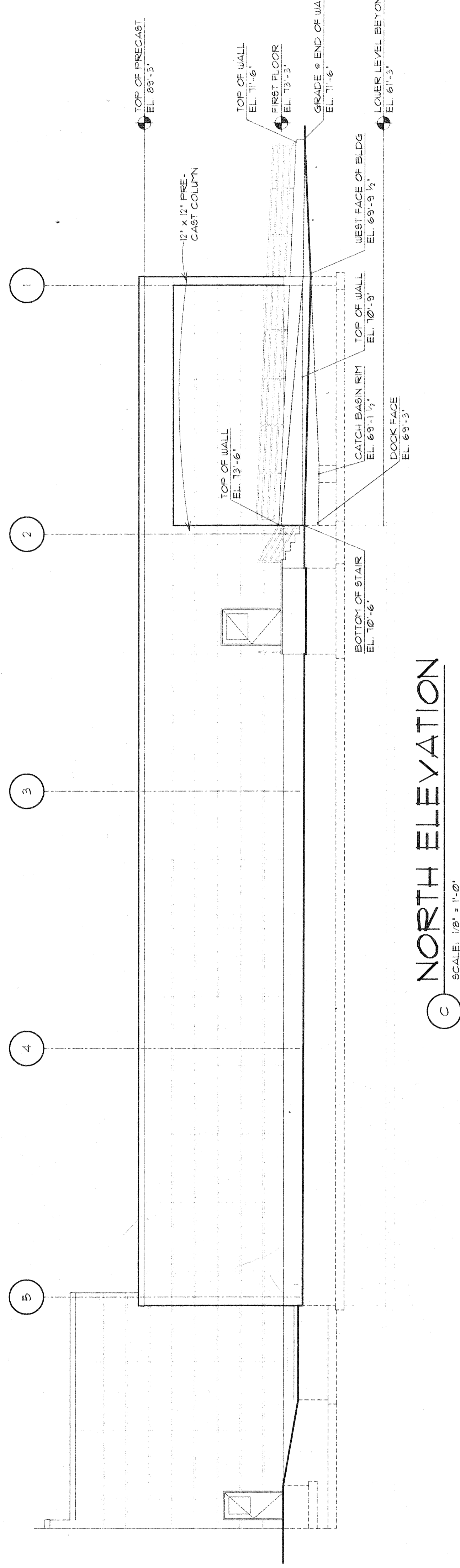
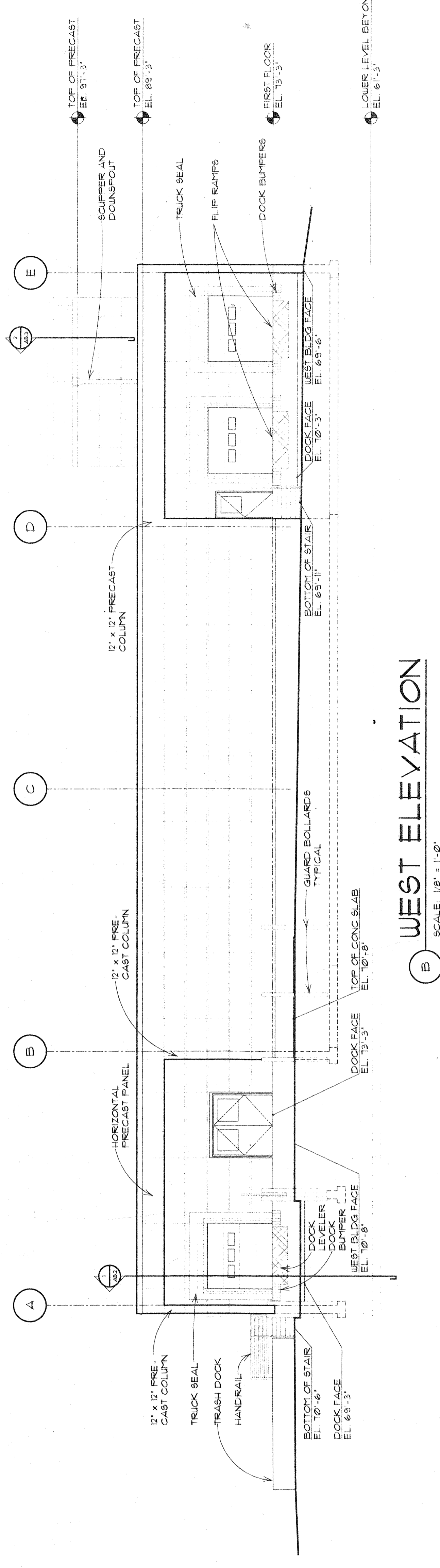


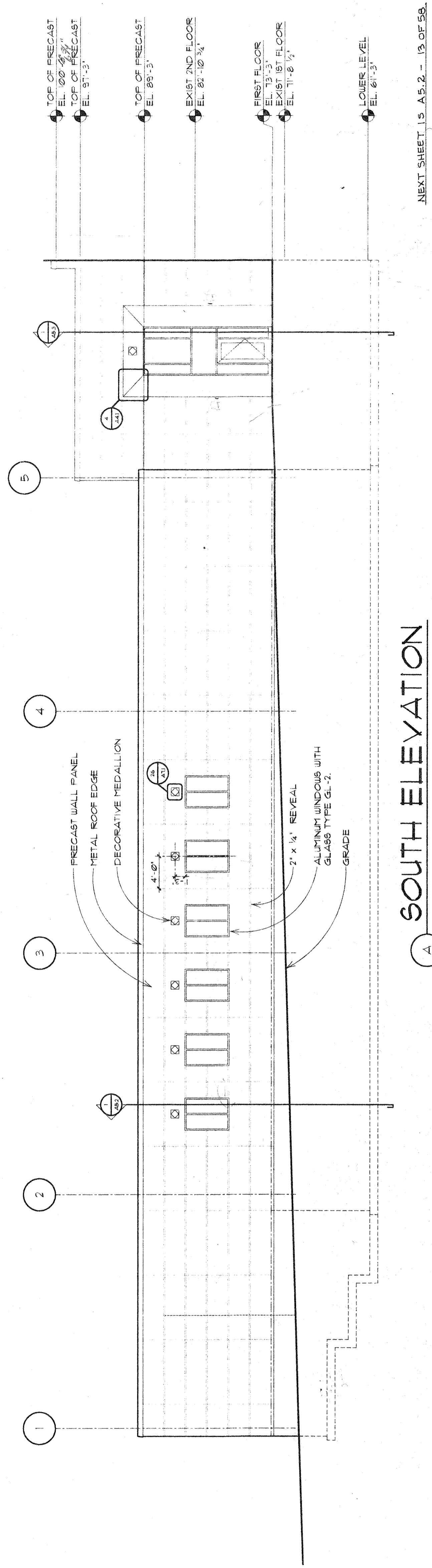
EAST ELEVATION
 SCALE: 1/8" = 1'-0"



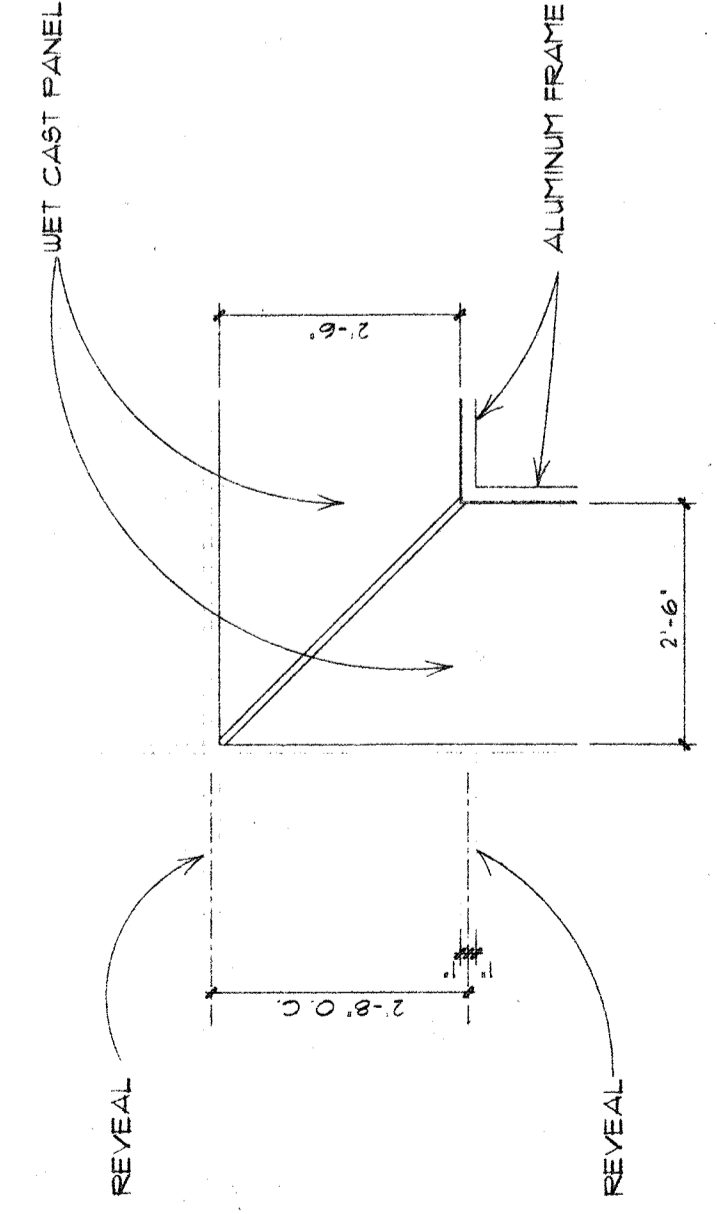
NORTH ELEVATION
 SCALE: 1/8" = 1'-0"



WEST ELEVATION
 SCALE: 1/8" = 1'-0"



SOUTH ELEVATION
 SCALE: 1/8" = 1'-0"



ENTRY PANEL ENLARGEMENT
 SCALE: 1/2" = 1'-0"