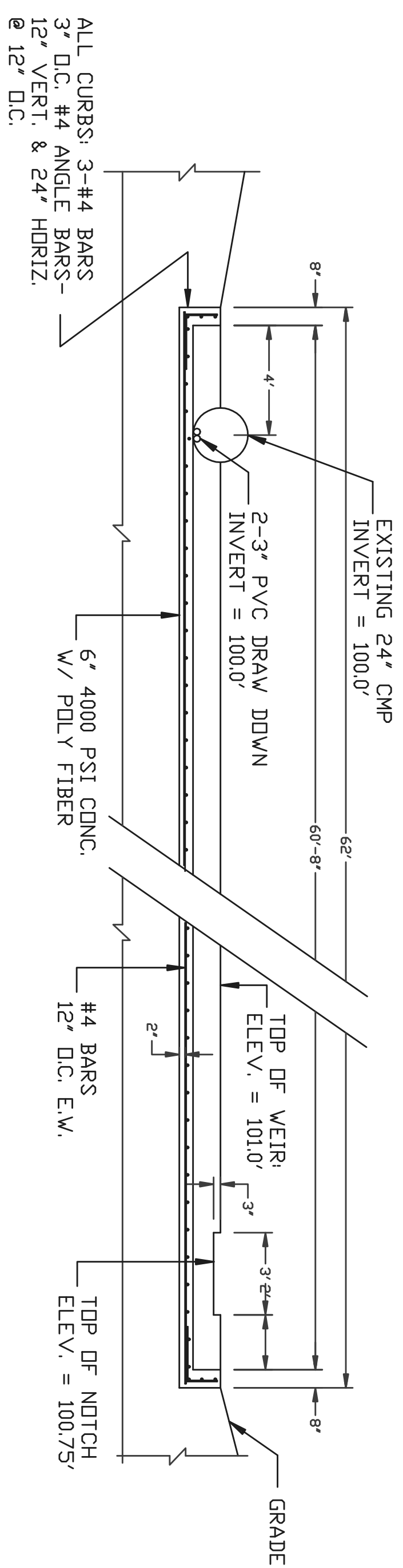
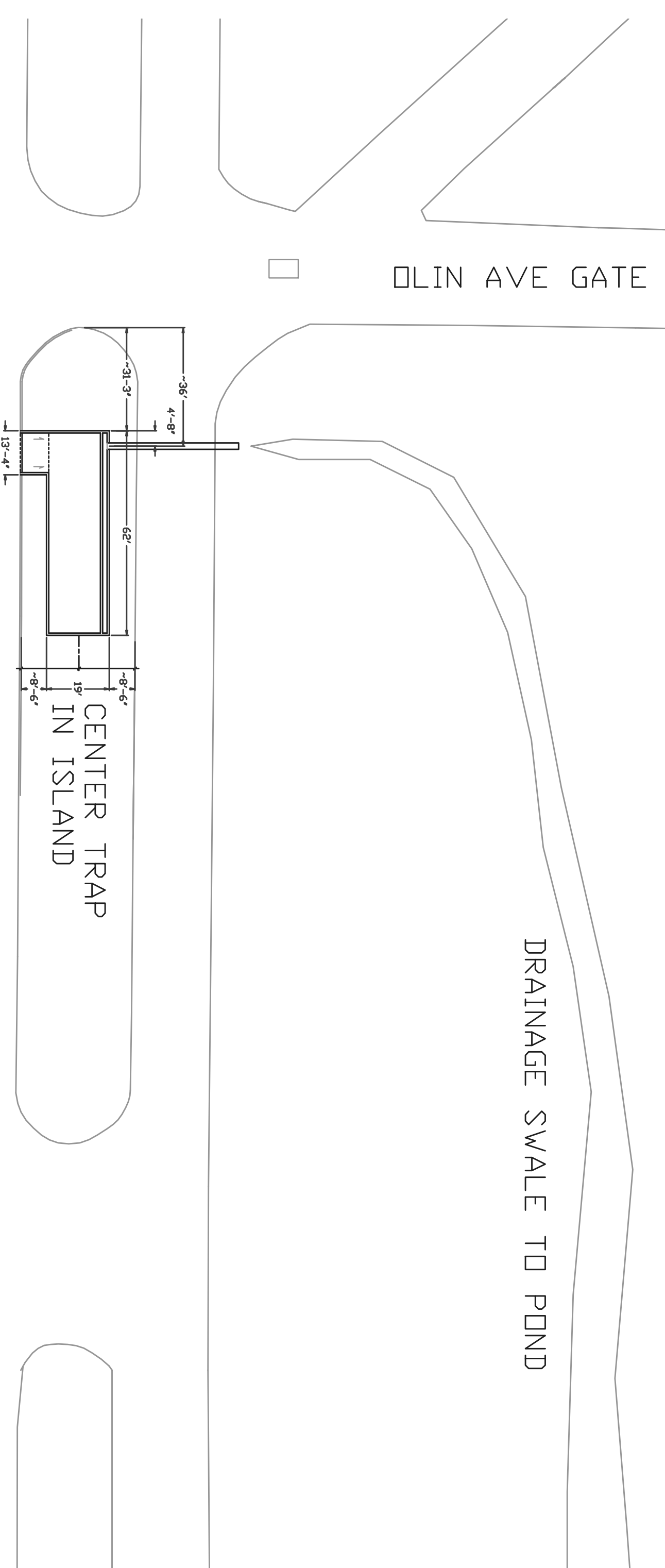


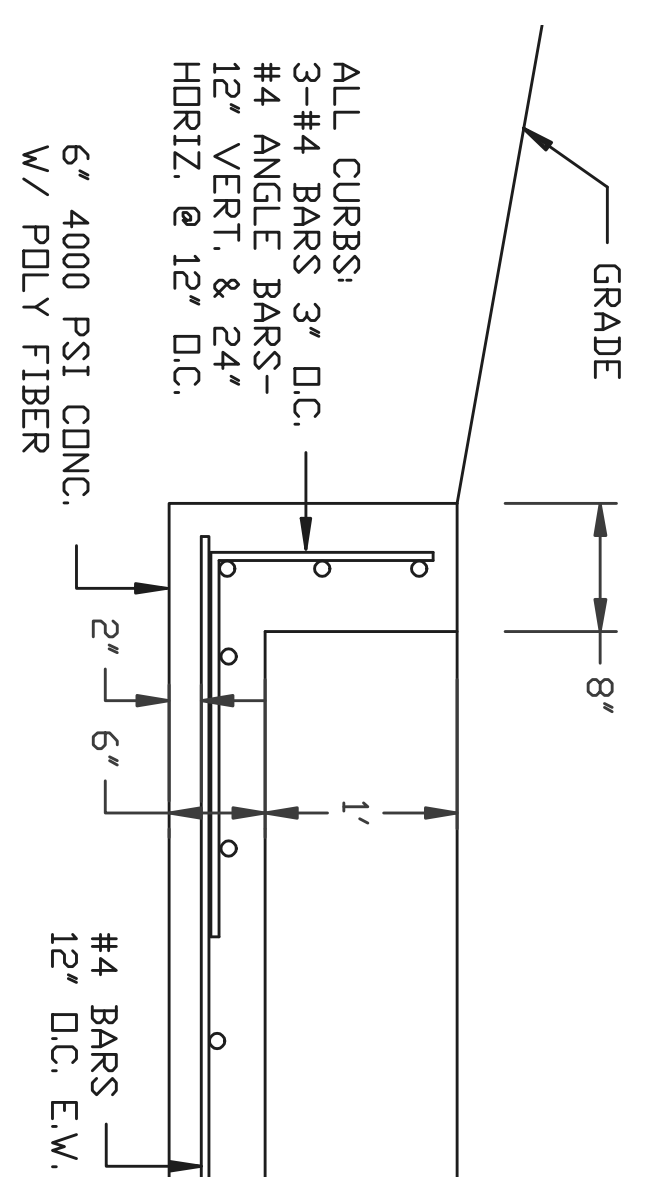
SECTION AA  
1/4" = 1'-0"



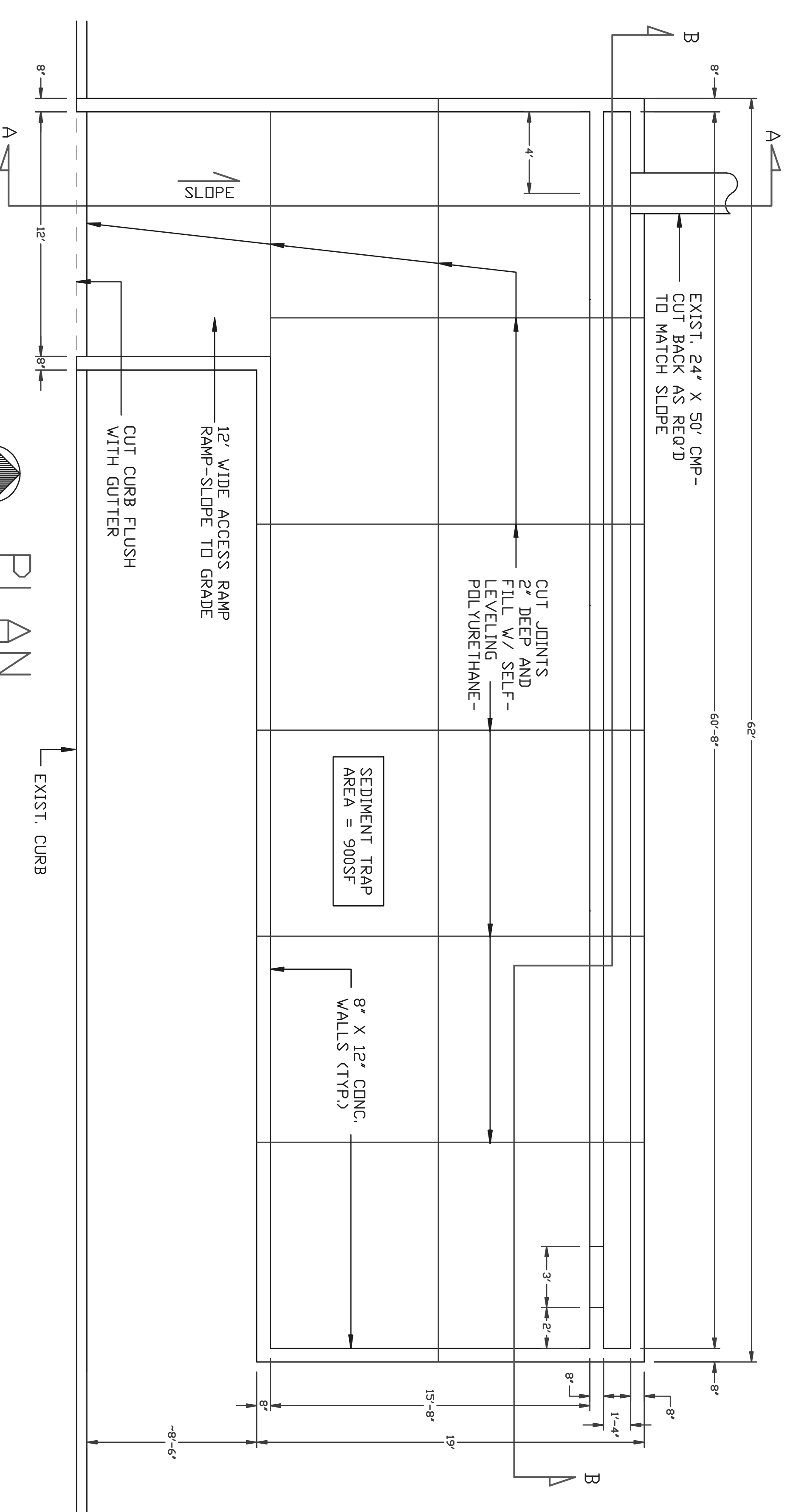
SECTION BB  
1/4" = 1'-0"



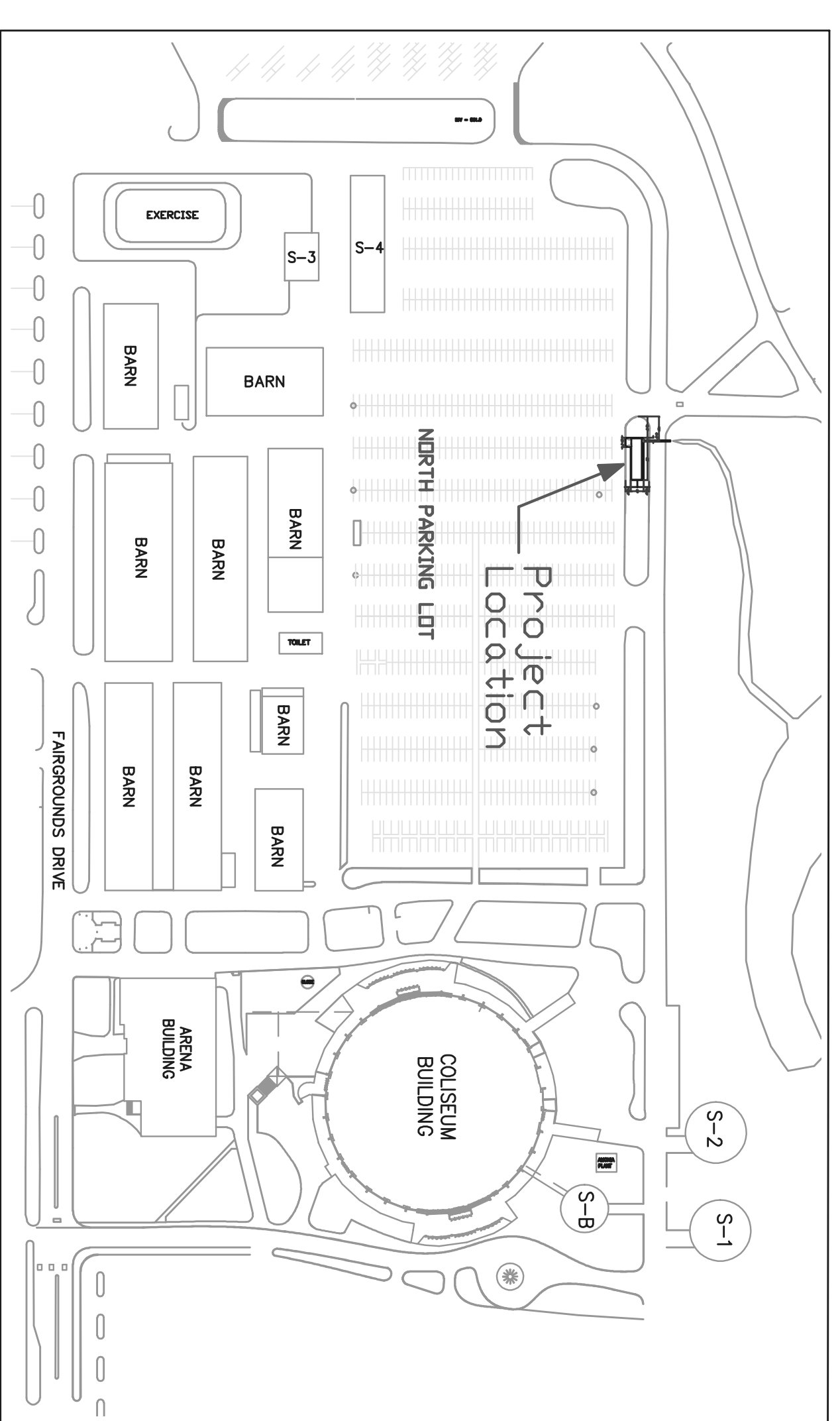
SITE PLAN  
1" = 30'-0"



CURB DETAIL  
1" = 1'-0"



PLAN  
1/4" = 1'-0"



SITE MAP  
NTS

Design By: JH/CDB	Drawn By: JRL	Approved By: JFS	Revisions
Bid No. 310002	Date 1/26/10	Scale AS NOTED	

DEPARTMENT OF PUBLIC WORKS  
DANE COUNTY WISCONSIN

NORTH PKG. LOT SEDIMENT TRAP  
ALLIANT ENERGY CENTER  
1919 A. E. C. WAY  
MADISON, WISCONSIN

Sheet 1  
of 1