

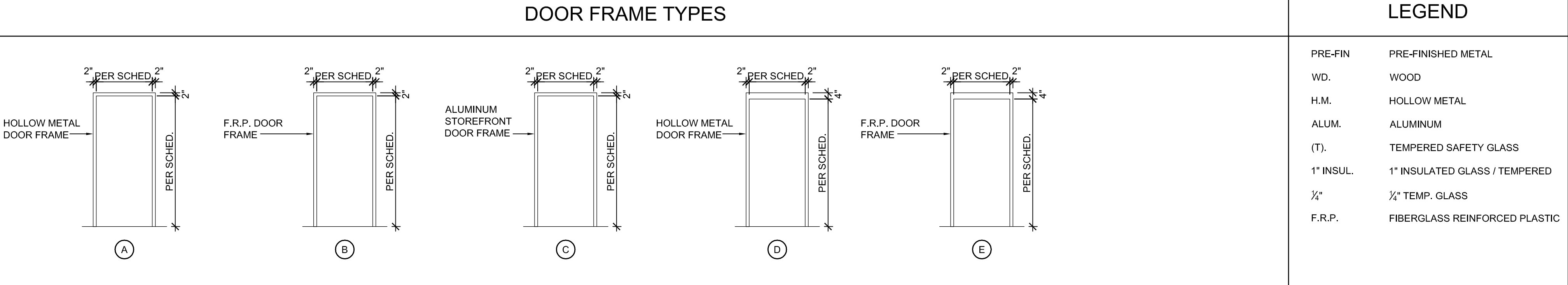
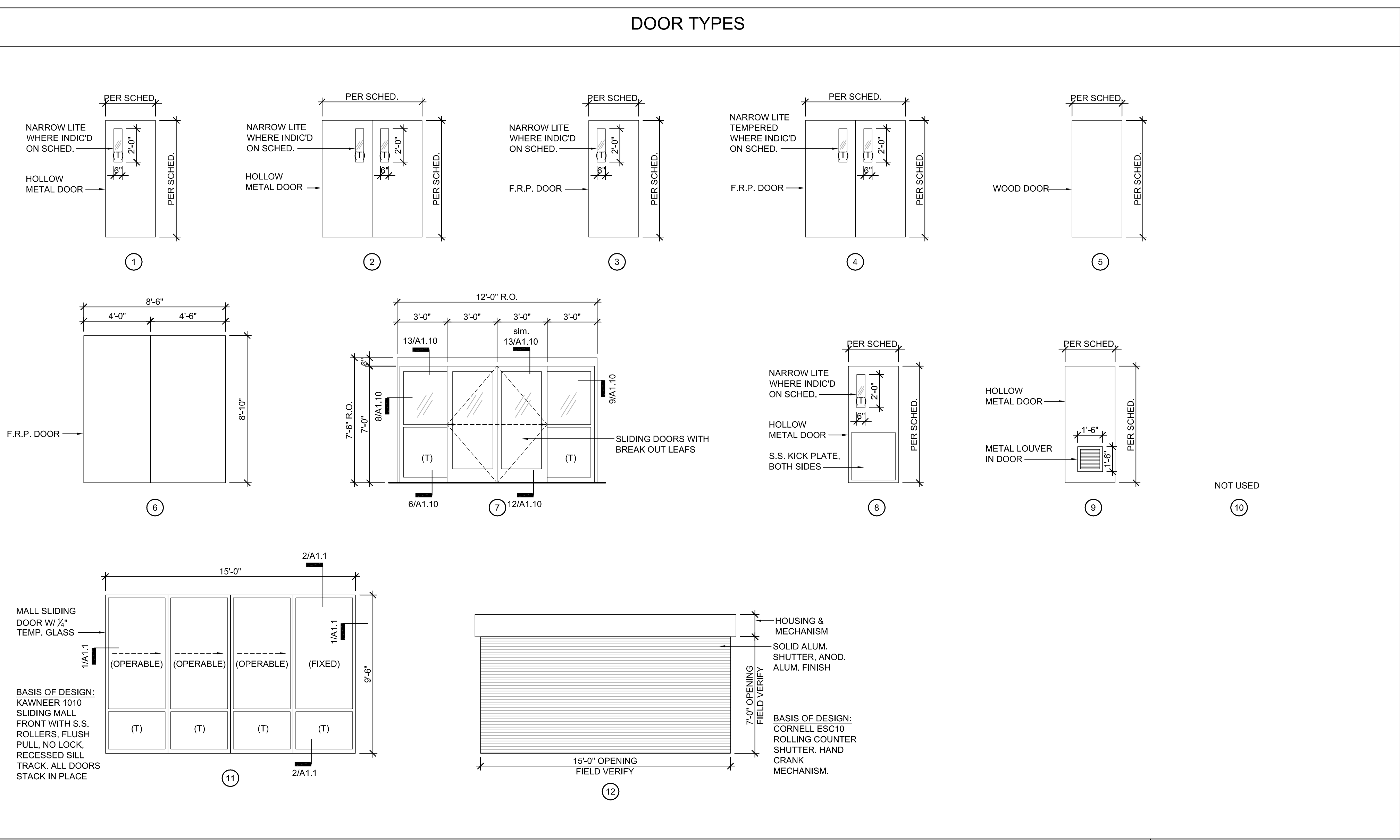
A1 SHEETS CONCESSIONS - DOOR SCHEDULE														
NO.	SIZE	DOOR			FRAME			RATING	DETAILS			REMARKS	ASSOCIATED ROOM	
		TYPE	MAT'L	FINISH	GLASS	TYPE	MAT'L		FINISH	HEAD	JAMB			SILL
100a	3'-0" x 7'-0" x 1 1/2" (PAIR)	7	ALUM.	PRE-FIN.	1" INSUL.	C	ALUM.	PRE-FIN.	-	13A1.10	8.9A1.10	12A1.10	SENSOR SLIDING DOORS W/ 6" BREAKOUT OPENING	VESTIBULE
100b	3'-0" x 7'-0" x 1 1/2" (PAIR)	7	ALUM.	PRE-FIN.	1/2"	C	ALUM.	PRE-FIN.	-	10A1.10	-	12smA1.10	SENSOR SLIDING DOORS W/ 6" BREAK OUT OPENING	VESTIBULE
101	15'-0" x 7'-0" (VERIFY)	12	ALUM.	PRE-FIN.	-	-	ALUM.	PRE-FIN.	-	-	-	-	ROLLING COUNTER TOP SHUTTER	SERVING LINE
102	3'-0" x 7'-0" x 1 1/2"	3	H.M.	PAINT	-	A	H.M.	PAINT	-	20A1.10	20smA1.10	-	SERVING LINE	SERVING LINE
106	3'-0" x 7'-0" x 1 1/2"	1	H.M.	PAINT	-	A	H.M.	PAINT	-	20A1.10	20smA1.10	-	OFFICE	OFFICE
107	3'-0" x 7'-0" x 1 1/2"	1	H.M.	PAINT	-	A	H.M.	PAINT	-	20A1.10	20smA1.10	-	MECHANICAL / ELECTRICAL	MECHANICAL / ELECTRICAL
109a	3'-0" x 7'-0" x 1 1/2"	1	H.M.	PAINT	-	A	H.M.	PAINT	-	17A1.10	18A1.10	19A1.10	INSULATED DOOR	HALL
109b	3'-0" x 7'-0" x 1 1/2"	8	H.M.	PAINT	-	A	H.M.	PAINT	-	20A1.10	20smA1.10	-	HALL	HALL
112	3'-0" x 7'-0" x 1 1/2"	1	H.M.	PAINT	-	A	H.M.	PAINT	-	20A1.10	20smA1.10	-	JANITOR	JANITOR
113	3'-0" x 7'-0" x 1 1/2"	1	H.M.	PAINT	-	A	H.M.	PAINT	-	20A1.10	20smA1.10	-	I.T. CLOSET	I.T. CLOSET
114	3'-0" x 7'-0" x 1 1/2"	5	WOOD	STAIN	-	A	H.M.	PAINT	-	20A1.10	20smA1.10	-	SEE NOTE ON DTL. FOR EXTRA LAYER OF GYP.	MENS RESTROOM
115	3'-0" x 7'-0" x 1 1/2"	5	WOOD	STAIN	-	A	H.M.	PAINT	-	20A1.10	20smA1.10	-	SEE NOTE ON DTL. FOR EXTRA LAYER OF GYP.	WOMENS RESTROOM
116	3'-0" x 7'-0" x 1 1/2"	1	H.M.	PAINT	-	A	H.M.	PAINT	-	17A1.10	18A1.10	19A1.10	INSULATED DOOR	HALL
117	3'-0" x 7'-0" x 1 1/2"	5	WOOD	STAIN	-	A	H.M.	PAINT	-	20A1.10	20smA1.10	-	INSULATED DOOR	VIP ROOM
118	15'-0" x 9'-6" (FIELD VER.)	11	ALUM.	PRE-FIN.	1/2" FROSTED	-	ALUM.	PRE-FIN.	-	2/A1.1	1/A1.1	2/A1.1	SLIDING MALL DOOR - 3 OPERABLE, 1 FIXED PANEL	DINING ROOM
119a	3'-0" x 7'-0" x 1 1/2" (PAIR)	7	ALUM.	PRE-FIN.	1" INSUL.	C	ALUM.	PRE-FIN.	-	13A1.10	9sm.11A1.10	12A1.10	SENSOR SLIDING DOORS W/ 6" BREAKOUT OPENING	VESTIBULE
119b	3'-0" x 7'-0" x 1 1/2" (PAIR)	7	ALUM.	PRE-FIN.	1/2"	C	ALUM.	PRE-FIN.	-	10A1.10	-	12smA1.10	SENSOR SLIDING DOORS W/ 6" BREAK OUT OPENING	VESTIBULE

A2 SHEETS DEN ALTERNATE - DOOR SCHEDULE														
NO.	SIZE	DOOR			FRAME			RATING	DETAILS			REMARKS	ASSOCIATED ROOM	
		TYPE	MAT'L	FINISH	GLASS	TYPE	MAT'L		FINISH	HEAD	JAMB			SILL
200	2'-0" x 7'-0" x 1 1/2"	1	H.M.	PAINT	-	A	H.M.	PAINT	-	20A1.10	20smA1.10	-	SEE NOTE ON DTL. FOR GYP. ONE SIDE ONLY	BEAR SHIFT CLOSET

A3 SHEETS BEAR HOLDING BUILDING - DOOR SCHEDULE														
NO.	SIZE	DOOR			FRAME			RATING	DETAILS			REMARKS	ASSOCIATED ROOM	
		TYPE	MAT'L	FINISH	GLASS	TYPE	MAT'L		FINISH	HEAD	JAMB			SILL
300	3'-0" x 7'-0" x 1 1/2" (PAIR)	4	F.R.P.	PRE-FIN.	1" INSUL.	B	F.R.P.	PRE-FIN.	-	8/A3.5	8smA3.5	-	INSULATED DOOR	KEEPER
301	3'-0" x 7'-0" x 1 1/2" (PAIR)	3	F.R.P.	PRE-FIN.	-	B	F.R.P.	PRE-FIN.	-	8/A3.5	8smA3.5	-	INSULATED DOOR	MECHL / STORAGE
302	2'-10" x 7'-0" x 1 1/2" (PAIR)	4	F.R.P.	PRE-FIN.	1/4"	B	F.R.P.	PRE-FIN.	-	9/A3.5	9smA3.5	-	INSULATED DOOR	KEEPER
305	3'-0" x 7'-0" x 1 1/2"	3	F.R.P.	PRE-FIN.	1" INSUL.	B	F.R.P.	PRE-FIN.	-	9/A3.5	9smA3.5	-	INSULATED DOOR	TRANSFER AISLE
310a	3'-0" x 7'-0" x 1 1/2"	3	F.R.P.	PRE-FIN.	1" INSUL.	B	F.R.P.	PRE-FIN.	-	9/A3.5	9smA3.5	-	INSULATED DOOR	KEEPER
310b	3'-0" x 7'-0" x 1 1/2"	3	F.R.P.	PRE-FIN.	1/4"	B	F.R.P.	PRE-FIN.	-	8/A3.5	8smA3.5	-	INSULATED DOOR	KEEPER
315	3'-0" x 7'-0" x 1 1/2"	3	F.R.P.	PRE-FIN.	1 INSUL.	B	F.R.P.	PRE-FIN.	-	-	-	-	INSULATED DOOR	TUNNEL VESTIBULE

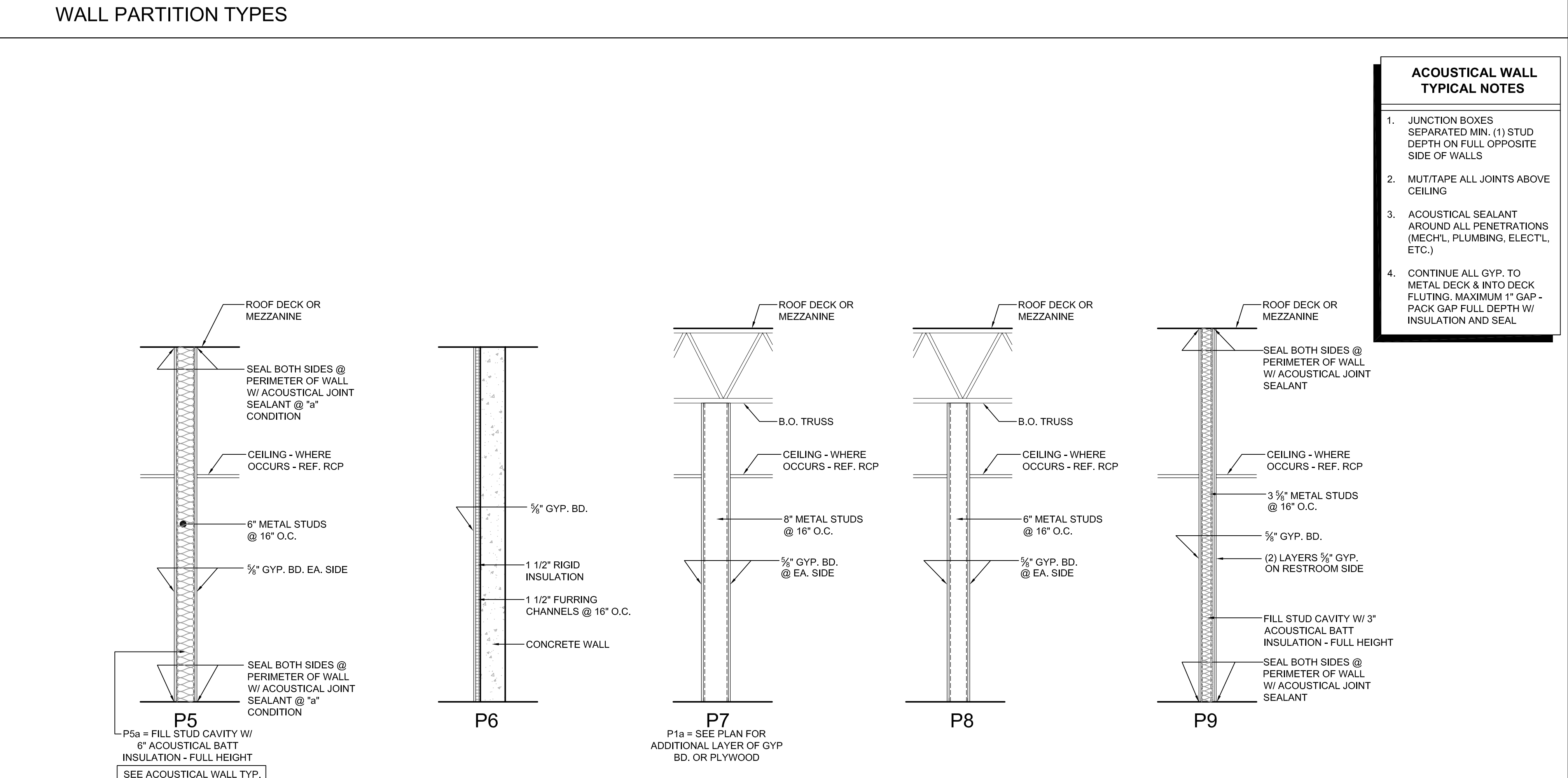
A4 SHEETS BEAR VIEWING STRUCTURES - DOOR SCHEDULE														
NO.	SIZE	DOOR			FRAME			RATING	DETAILS			REMARKS	ASSOCIATED ROOM	
		TYPE	MAT'L	FINISH	GLASS	TYPE	MAT'L		FINISH	HEAD	JAMB			SILL
401	3'-0" x 7'-0" x 1 1/2"	1	H.M.	PAINT	-	A	H.M.	PAINT	-	XXX	XXX	XXX	XXX	TRAINING WALL STORAGE
402	3'-0" x 7'-0" x 1 1/2"	1	H.M.	PAINT	-	A	H.M.	PAINT	-	XXX	XXX	XXX	XXX	TRAINING WALL STORAGE
403	3'-0" x 7'-0" x 1 1/2"	1	H.M.	PAINT	-	A	H.M.	PAINT	-	XXX	XXX	XXX	XXX	SEAL EXHIBIT

A5 SHEETS SEAL HOLDING / LIFE SUPPORT BUILDING - DOOR SCHEDULE														
NO.	SIZE	DOOR			FRAME			RATING	DETAILS			REMARKS	ASSOCIATED ROOM	
		TYPE	MAT'L	FINISH	GLASS	TYPE	MAT'L		FINISH	HEAD	JAMB			SILL
500	3'-0" x 7'-0" x 1 1/2"	3	F.R.P.	PRE-FIN.	1" INSUL.	B	F.R.P.	PRE-FIN.	-	8/A3.5	8smA3.5	-	INSULATED DOOR	KEEPER WORK AREA
502	3'-0" x 7'-0" x 1 1/2"	3	F.R.P.	PRE-FIN.	-	B	F.R.P.	PRE-FIN.	-	8/A3.5	8smA3.5	-	INSULATED DOOR	RESTROOM
503a	3'-0" x 7'-0" x 1 1/2"	3	F.R.P.	PRE-FIN.	1/2"	B	F.R.P.	PRE-FIN.	-	8/A3.5	8smA3.5	-	INSULATED DOOR	KEEPER AISLE
503b	3'-0" x 7'-0" x 1 1/2"	3	F.R.P.	PRE-FIN.	1" INSUL.	B	F.R.P.	PRE-FIN.	-	8/A3.5	8smA3.5	-	INSULATED DOOR	KEEPER AISLE
506a	(SEE DOOR TYPE 6)	6	F.R.P.	PRE-FIN.	-	B	F.R.P.	PRE-FIN.	-	8/A3.5	8smA3.5	-	INSULATED DOOR	LIFE SUPPORT SYSTEMS
506b	3'-0" x 7'-0" x 1 1/2"	3	F.R.P.	PRE-FIN.	-	B	F.R.P.	PRE-FIN.	-	8/A3.5	8smA3.5	-	INSULATED DOOR	LIFE SUPPORT SYSTEMS
509	4'-0" x 7'-0" x 1 1/2"	3	F.R.P.	PRE-FIN.	-	E	F.R.P.	PRE-FIN.	-	8/A3.5	8smA3.5	-	INSULATED DOOR	OZONE
510	3'-0" x 7'-0" x 1 1/2"	3	F.R.P.	PRE-FIN.	-	B	F.R.P.	PRE-FIN.	-	8/A3.5	8smA3.5	-	INSULATED DOOR	ELECTRICAL



### LEGEND

PRE-FIN	PRE-FINISHED METAL
WD.	WOOD
H.M.	HOLLOW METAL
ALUM.	ALUMINUM
(T)	TEMPERED SAFETY GLASS
1" INSUL.	1" INSULATED GLASS / TEMPERED
1/2"	1/2" TEMP. GLASS
F.R.P.	FIBERGLASS REINFORCED PLASTIC



- #### ACOUSTICAL WALL TYPICAL NOTES
- JUNCTION BOXES SEPARATED MIN. (1) STUD DEPTH ON FULL OPPOSITE SIDE OF WALLS
  - MUTTAPPE ALL JOINTS ABOVE CEILING
  - ACOUSTICAL SEALANT AROUND ALL PENETRATIONS (MECHL., PLUMBING, ELECTL., ETC.)
  - CONTINUE ALL GYP. TO METAL DECK & INTO DECK FLUTING, MAXIMUM 1" GAP - PACK GAP FULL DEPTH W/ INSULATION AND SEAL

WDM ARCHITECTS P.A.  
105 North Washington  
Wichita, KS 67202-2815  
T 316.262.4700  
F 316.262.0002  
wdmarchitects.com

we do more

ARC TIC ANIMAL EXHIBIT AND CONCESSIONS  
RFB No. 313086  
Henry Vilas Zoo - County of Dane  
Department of Public Works  
1919 Alliant Energy Center Way  
702 S Randall Ave  
Madison, Wisconsin

PRINTS ISSUED  
07.26.2013 - Schematic Design  
08.23.2013 - Design Development  
09.23.2013 - 65% CD'S  
10.07.2013 - Pricing Set  
10.21.2013 - 95% CD'S  
11.13.2013 - Bid Documents

WDM No. 13046 drawn: DS  
checked: SR

DOOR SCHEDULE  
DOOR TYPES  
WALL PARTITION TYPES

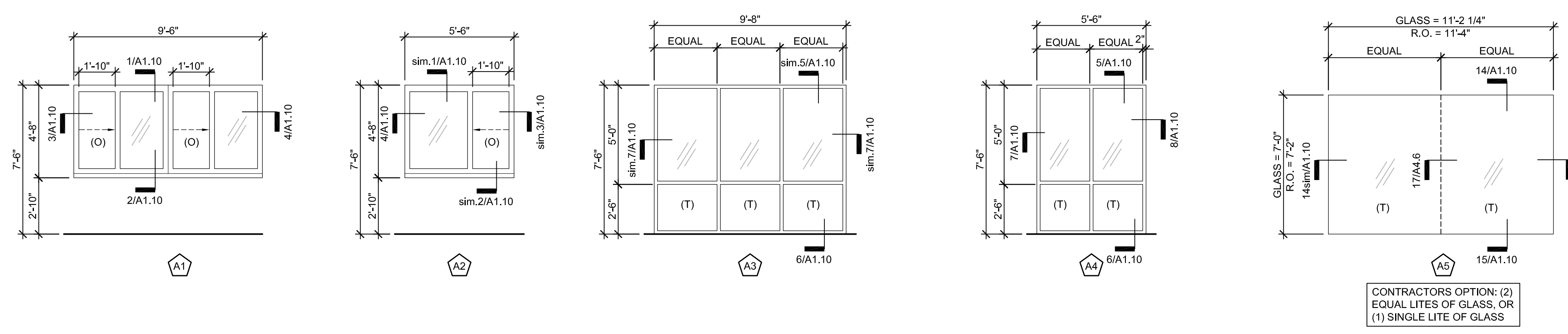
# A0.1

© copyright 2013 WDM Architects P.A.

A1 SHEETS CONCESSIONS - WINDOW SCHEDULE

NO.	QUANTITY	WINDOW						FRAME		DETAILS			REMARKS
		THICKNESS	MATL.	FINISH	INSULATED	TEMPERED	MATL.	FINISH	HEAD	JAMB	SILL		
A1	1	1"	TYPE 'C'	CLEAR	Y	-	ALUM.	PRE-FIN.	1A/A1.10	3,4/A1.10	2/A1.10	SLIDING WINDOW	
A2	1	1"	TYPE 'C'	CLEAR	Y	-	ALUM.	PRE-FIN.	1sm/A1.10	3sm/A1.10	2sm/A1.10		
A3	1	1"	TYPE 'C'	CLEAR	Y	VARIABLES	ALUM.	PRE-FIN.	5sm/A1.10	7sm/A1.10	6/A1.10		
A4	1	1"	TYPE 'C'	CLEAR	Y	VARIABLES	ALUM.	PRE-FIN.	5/A1.10	7,8/A1.10	6/A1.10		
A5	3	APX. 2"	TYPE 'B'	CLEAR	-	Y	X	X	14/A1.10	14sm/A1.10	15/A1.10	U-VALUE OF 0.80	

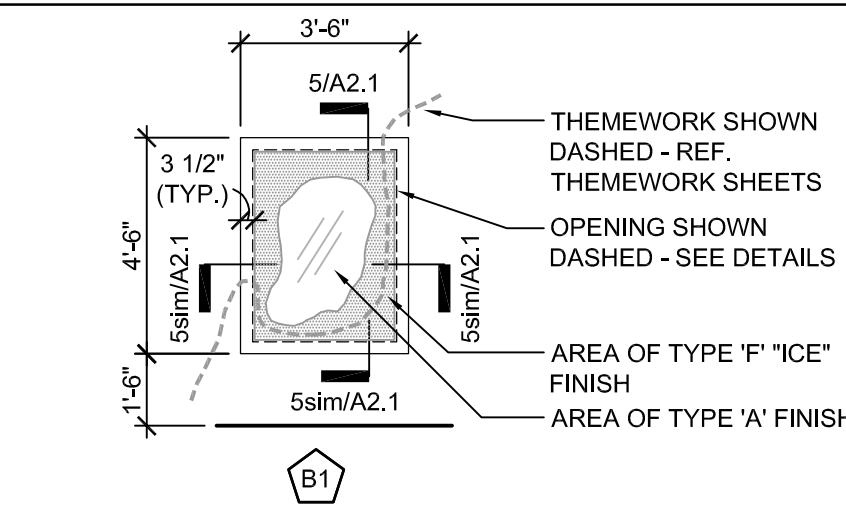
CONCESSIONS - WINDOW TYPES



A2 SHEETS DEN ALTERNATE - WINDOW SCHEDULE

NO.	QUANTITY	WINDOW						FRAME		DETAILS			REMARKS
		THICKNESS	MATL.	FINISH	INSULATED	TEMPERED	MATL.	FINISH	HEAD	JAMB	SILL		
B1	2	BY MANUFACTURER	TYPE 'F'	BLUE	-	-	-	-	5/A2.1	5sm/A2.1	5sm/A2.1		

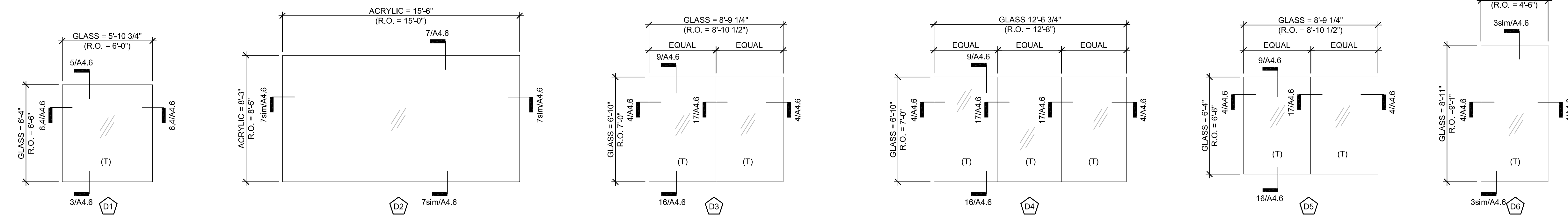
BEAR DEN ALTERNATE - WINDOW TYPES



A3 SHEETS BEAR HOLDING BUILDING - WINDOW SCHEDULE

NO.	QUANTITY	WINDOW						FRAME		DETAILS			REMARKS
		THICKNESS	MATL.	FINISH	INSULATED	TEMPERED	MATL.	FINISH	HEAD	JAMB	SILL		
X	X	X	X	X	-	X	XX	XX	XXX	XXX	XXX	XXX	

BEAR VIEWING - WINDOW TYPES



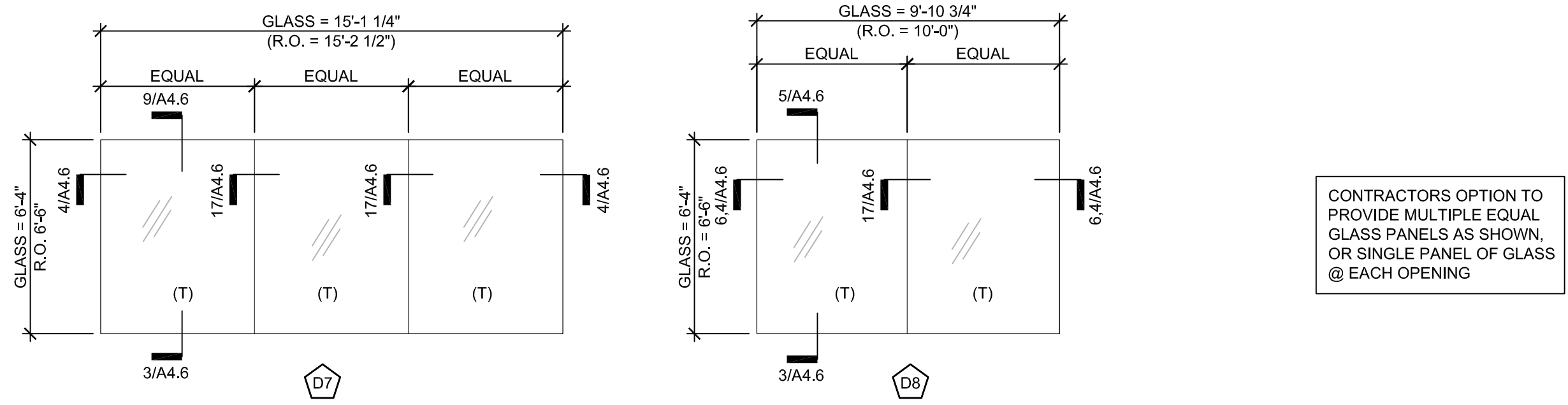
A4 SHEETS BEAR VIEWING STRUCTURES - WINDOW SCHEDULE

NO.	QUANTITY	WINDOW						FRAME		DETAILS			REMARKS
		THICKNESS	MATL.	FINISH	INSULATED	TEMPERED	MATL.	FINISH	HEAD	JAMB	SILL		
D1	2	APX. 2"	TYPE 'B'	CLEAR	-	Y	-	-	5/A4.6	4,6/A4.6	3/A4.6		
D2	1	BY MANUFACTURER	TYPE 'A'	CLEAR	-	-	-	-	7/A4.6	7sm/A4.6	7sm/A4.6		
D3	1	APX. 2"	TYPE 'B'	CLEAR	-	Y	-	-	9/A4.6	4/A4.6	16/A4.6		
D4	1	APX. 2"	TYPE 'B'	CLEAR	-	Y	-	-	9/A4.6	4/A4.6	16/A4.6		
D5	1	APX. 2"	TYPE 'B'	CLEAR	-	Y	-	-	9/A4.6	4/A4.6	16/A4.6		
D6	1	APX. 2"	TYPE 'B'	CLEAR	-	Y	-	-	3sm/A4.6	4/A4.6	3sm/A4.6		
D7	1	APX. 2"	TYPE 'B'	CLEAR	-	Y	-	-	9/A4.6	4/A4.6	3/A4.6		
D8	2	APX. 2"	TYPE 'B'	CLEAR	-	Y	-	-	5/A4.6	4,6/A4.6	3/A4.6		

A5 SHEETS SEAL HOLDING / LIFE SUPPORT BUILDING - WINDOW SCHEDULE

NO.	QUANTITY	WINDOW						FRAME		DETAILS			REMARKS
		THICKNESS	MATL.	FINISH	INSULATED	TEMPERED	MATL.	FINISH	HEAD	JAMB	SILL		
E1	2	1"	TYPE 'C'	CLEAR	Y	-	ALUM.	PRE-FIN.	7/A5.6	7sm/A5.6	7sm/A5.6		

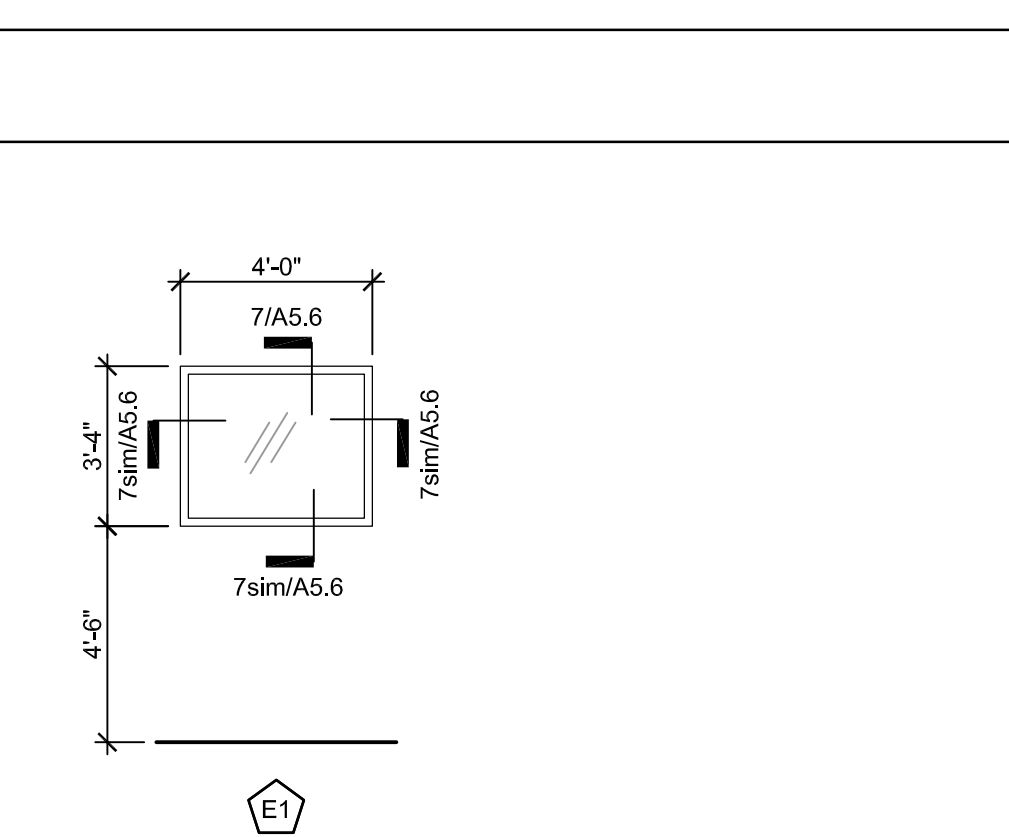
SEAL HOLDING - WINDOW TYPES



A6 SHEETS SEAL VIEWING STRUCTURE ALTERNATE - WINDOW SCHEDULE

NO.	QUANTITY	WINDOW						FRAME		DETAILS			REMARKS
		THICKNESS	MATL.	FINISH	INSULATED	TEMPERED	MATL.	FINISH	HEAD	JAMB	SILL		
F1	1	BY MANUFACTURER	TYPE 'A'	CLEAR	-	-	-	-	7/A4.6	7sm/A4.6	7sm/A4.6		

SEAL VIEWING - WINDOW TYPES



GLASS TYPES LEGEND

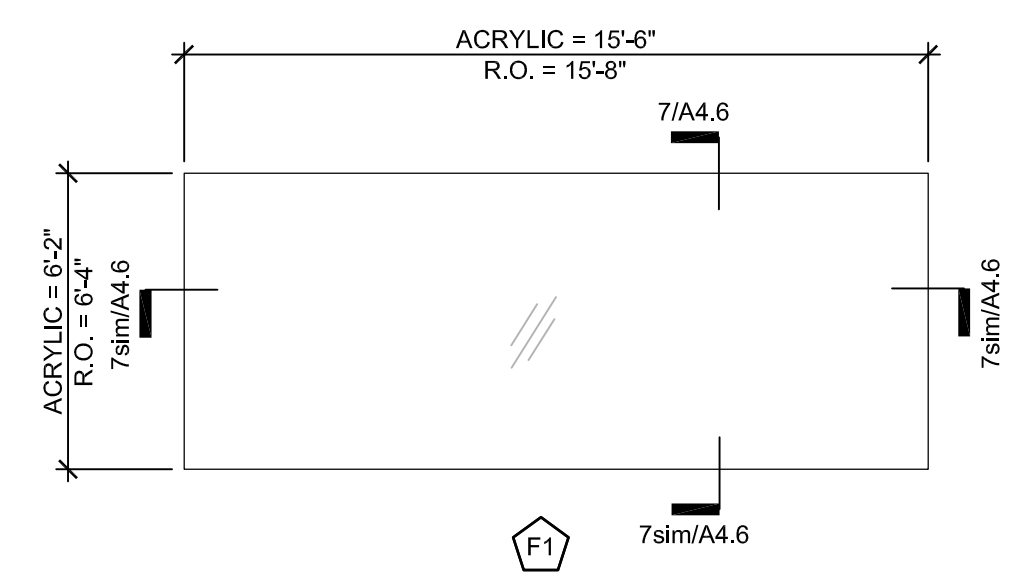
TYPE 'A' = ACRYLIC, THICKNESS ENGINEERED BY MANUFACTURER  
 TYPE 'B' = LAMINATED BEAR GLASS  
 TYPE 'C' = INSULATED GLASS  
 TYPE 'D' = NOT USED  
 TYPE 'E' = FROSTED GLASS  
 TYPE 'F' = ACRYLIC WITH "ICE" FINISH (REYNOLDS POLYMER R-CAST ACRYLIC), THICKNESS ENGINEERED BY MANUFACTURER

BEAR GLASS

"BEAR GLASS" IS USED TO DEFINE ANY GLAZING THAT A BEAR WILL COME IN CONTACT WITH. "BEAR GLASS" IS (3) LAYERS OF 1/2" TEMPERED GLASS WITH A PVB INNER LAYER.

GENERAL LEGEND

PRE-FIN PRE-FINISHED METAL  
 ALUM. ALUMINUM  
 (T) TEMPERED SAFETY GLASS  
 (O) OPERABLE



**wcm**  
**ARCHITECTS**  
 WDM Architects P.A.  
 105 North Washington  
 Wichita, KS 67202-2815  
 T 316.262.4700  
 F 316.262.0002  
 wdmarchitects.com

**we do more**  
**henry vilas**  
**ARCHITECTS**

**ARCTIC ANIMAL EXHIBIT AND CONCESSIONS**  
 RFB No. 313086  
 Henry Vilas Zoo - County of Dane  
 Department of Public Works  
 702 S Randall Ave  
 1919 Alliant Energy Center Way  
 Madison, Wisconsin

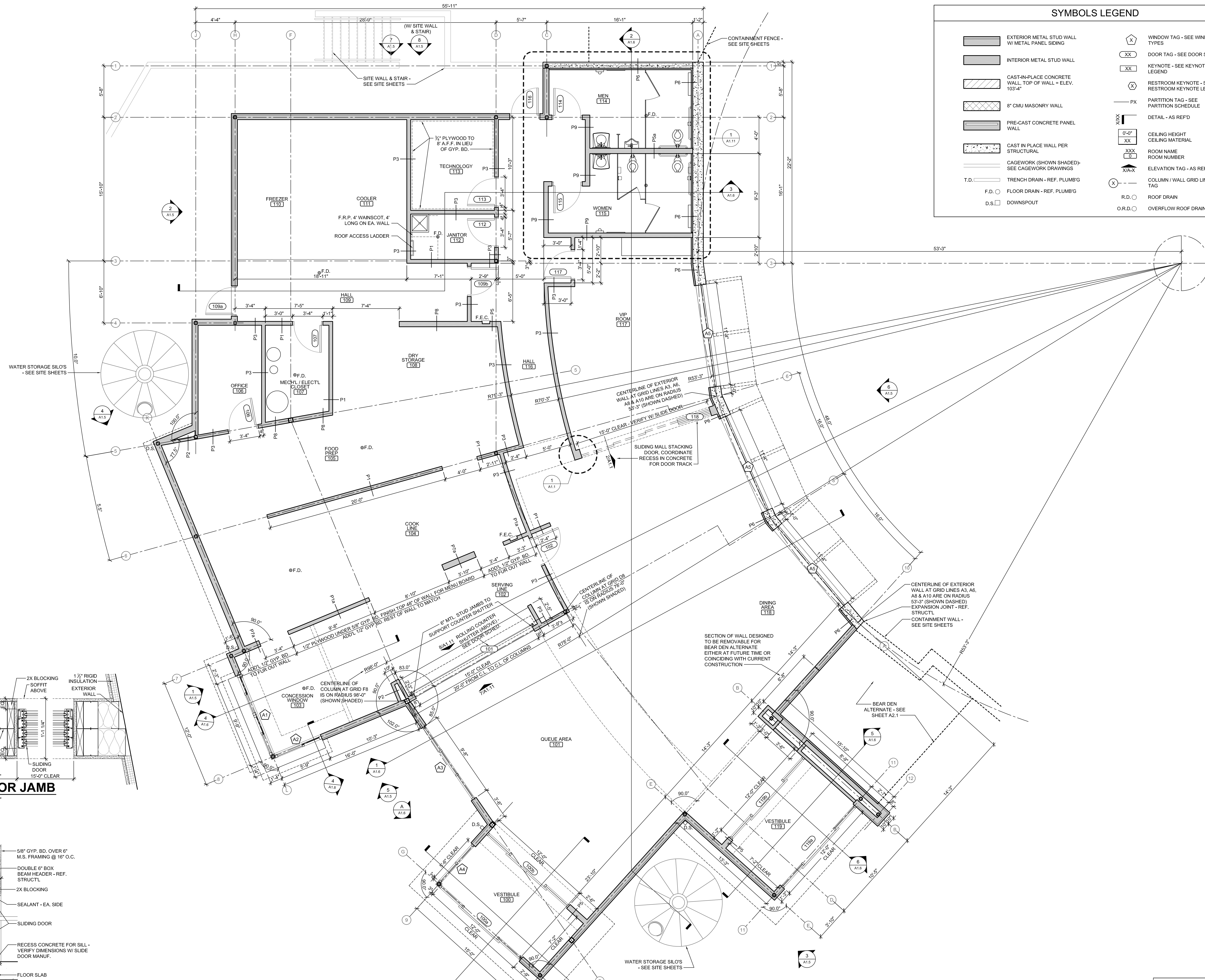
PRINTS ISSUED  
 07.26.2013 - Schematic Design  
 08.23.2013 - Design Development  
 09.23.2013 - 65% CD's  
 10.07.2013 - Pricing Set  
 10.21.2013 - 95% CD's  
 11.13.2013 - Bid Documents

WDM No. drawn: DS  
**13046** checked: SR

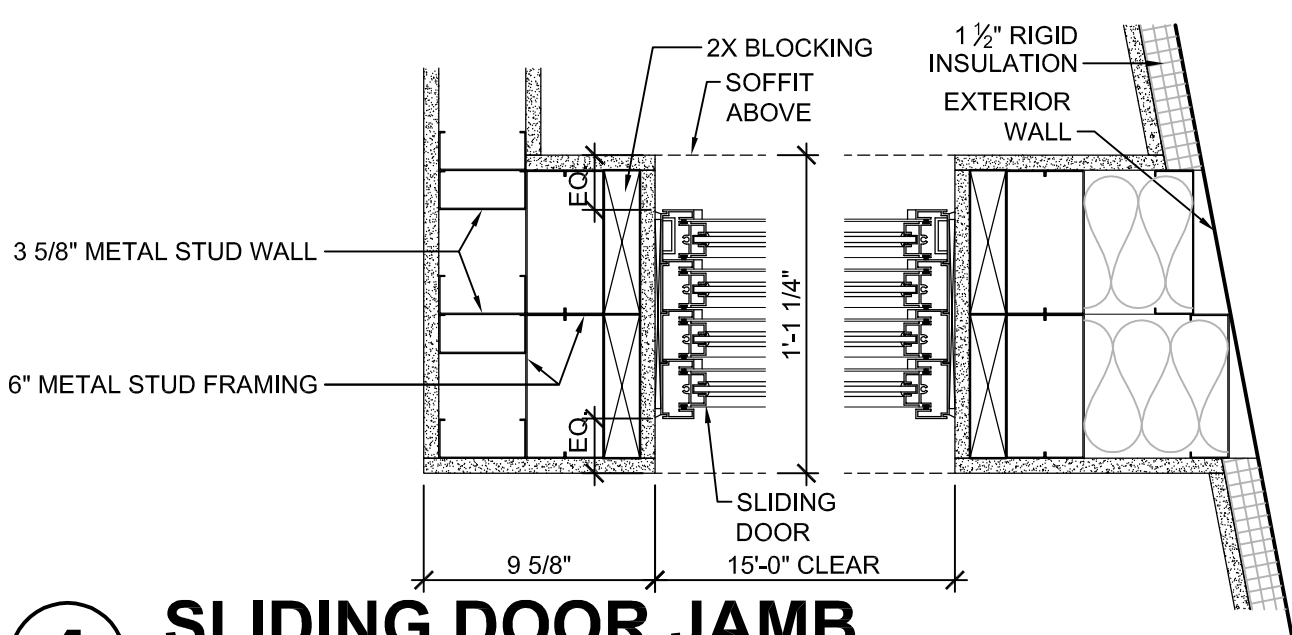
DOOR SCHEDULE  
 WINDOW SCHEDULE  
 WINDOW TYPES

**A0.2**

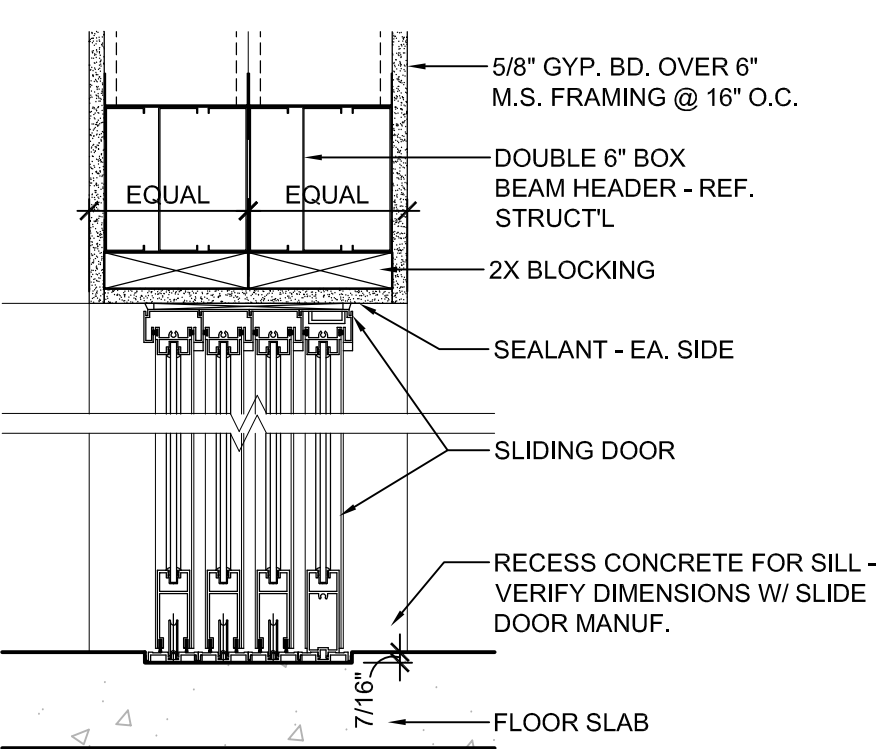




SYMBOLS LEGEND	
	EXTERIOR METAL STUD WALL W/ METAL PANEL SIDING
	INTERIOR METAL STUD WALL
	CAST-IN-PLACE CONCRETE WALL, TOP OF WALL = ELEV. 103'-4"
	8\"/>
	PRE-CAST CONCRETE PANEL WALL
	CAST IN PLACE WALL PER STRUCTURAL
	CAGEWORK (SHOWN SHADED) - SEE CAGEWORK DRAWINGS
	T.D. TRENCH DRAIN - REF. PLUMB'G
	F.D. FLOOR DRAIN - REF. PLUMB'G
	D.S. DOWNSPOUT
	WINDOW TAG - SEE WINDOW TYPES
	DOOR TAG - SEE DOOR SCHED.
	KEYNOTE - SEE KEYNOTE LEGEND
	RESTROOM KEYNOTE - SEE RESTROOM KEYNOTE LEGEND
	PARTITION TAG - SEE PARTITION SCHEDULE
	DETAIL - AS REF'D
	CEILING HEIGHT - CEILING MATERIAL
	ROOM NAME
	ROOM NUMBER
	ELEVATION TAG - AS REF'D
	COLUMN / WALL GRID LINE & TAG
	R.D. ROOF DRAIN
	O.R.D. OVERFLOW ROOF DRAIN



**1 SLIDING DOOR JAMB**  
SCALE: 1 1/2" = 1'-0"



**2 SLIDING DOOR SECTION**  
SCALE: 1 1/2" = 1'-0"

**A CONCESSIONS FLOOR PLAN**  
SCALE: 1/4" = 1'-0"

**NOTE**  
CONCESSIONS FINISH FLOOR ELEVATION 100'-0" (AS USED IN THESE 'A' SHEETS) EQUALS SITE ELEVATION 109.00 (VERIFY W/ SITE SHEETS)

**wcm ARCHITECTS**  
WDM Architects P.A.  
105 North Washington  
Wichita, KS 67202-2815  
T 316.262.4700  
F 316.262.0002  
wdmarchitects.com

**we do more**  
**henry vilas ZOO**

**ARCTIC ANIMAL EXHIBIT AND CONCESSIONS**  
RFB No. 313086  
Henry Vilas Zoo - County of Dane  
Department of Public Works  
1919 Alliant Energy Center Way  
Madison, Wisconsin

PRINTS ISSUED  
07.26.2013 - Schematic Design  
08.23.2013 - Design Development  
09.23.2013 - 65% CD's  
10.07.2013 - Pricing Set  
10.21.2013 - 95% CD's  
11.13.2013 - Bid Documents

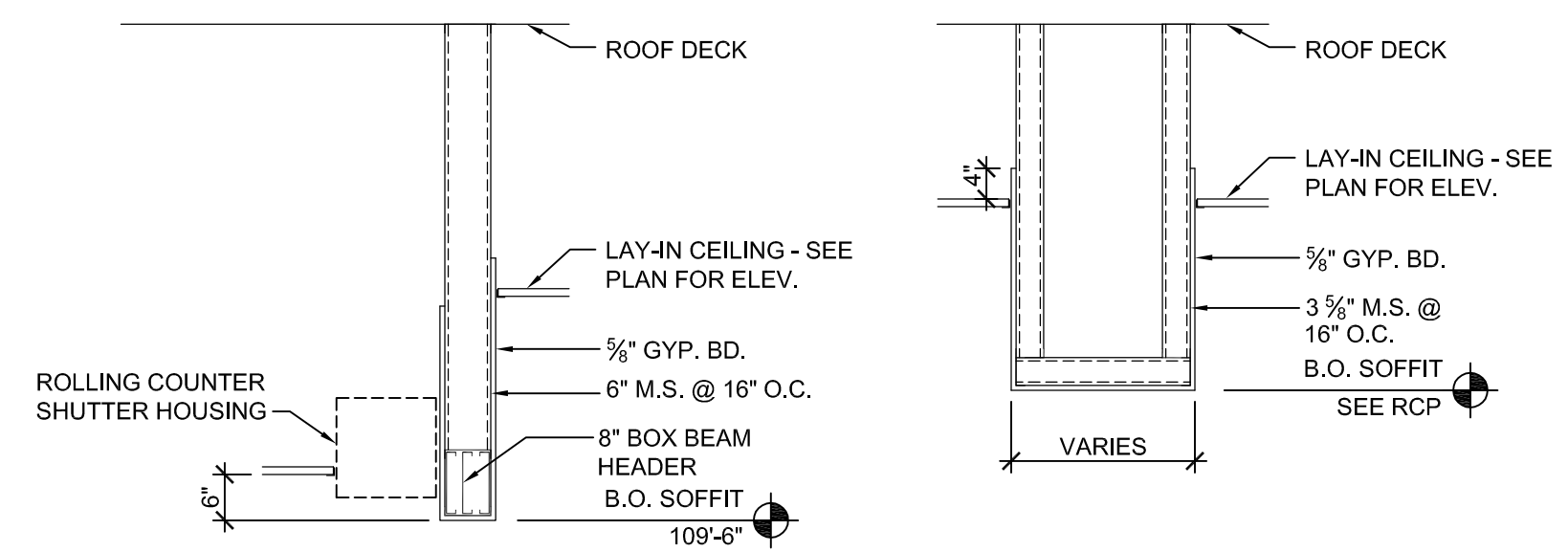
WDM No. 13046  
drawn: DS  
checked: SR

RESTAURANT FLOOR PLAN

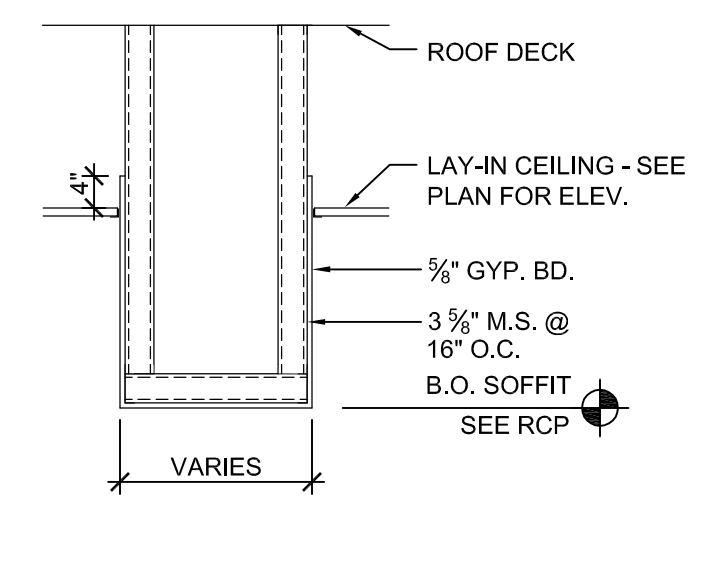
**A1.1**

© copyright 2013 WDM Architects P.A.

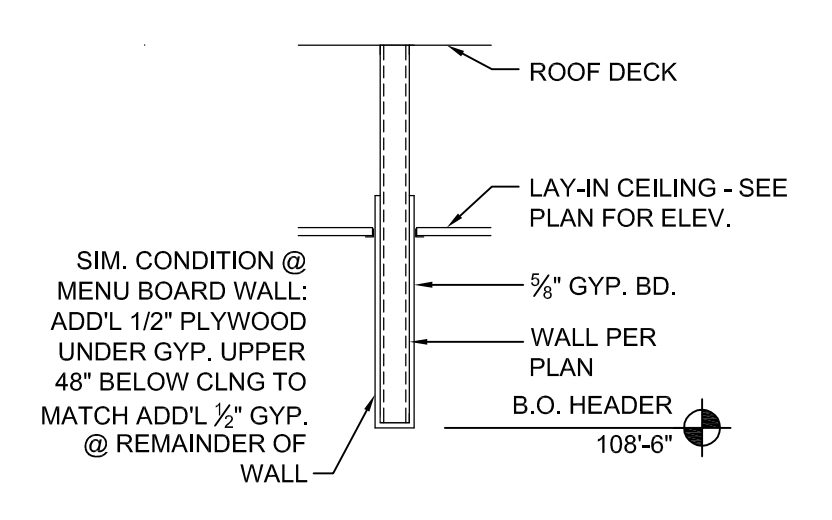




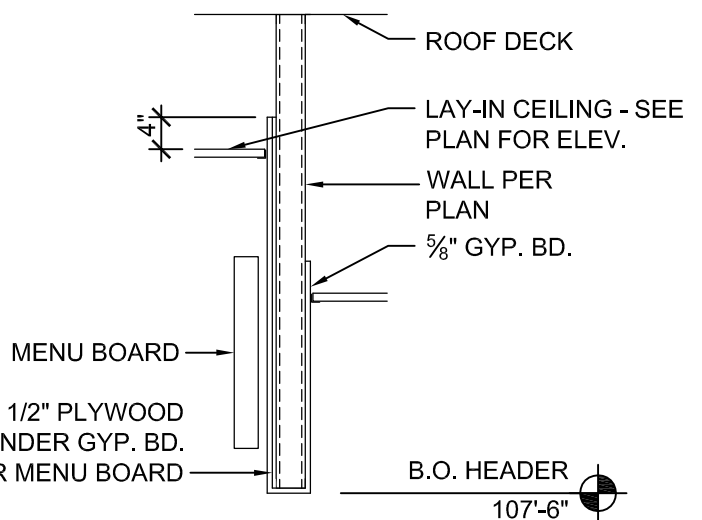
**1 CLNG. DTL.**  
1/2" = 1'-0"



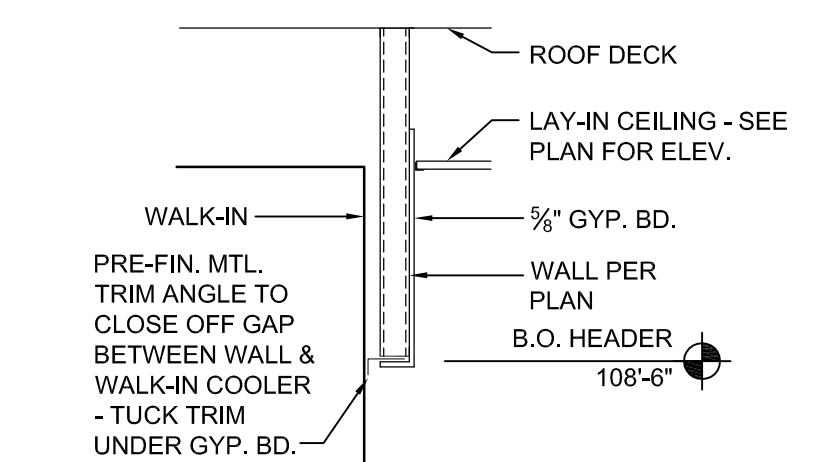
**2 CLNG. DTL.**  
1/2" = 1'-0"



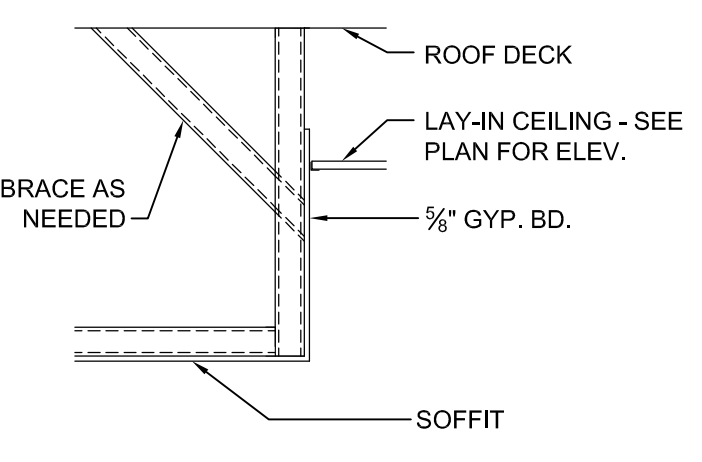
**3 CLNG. DTL.**  
1/2" = 1'-0"



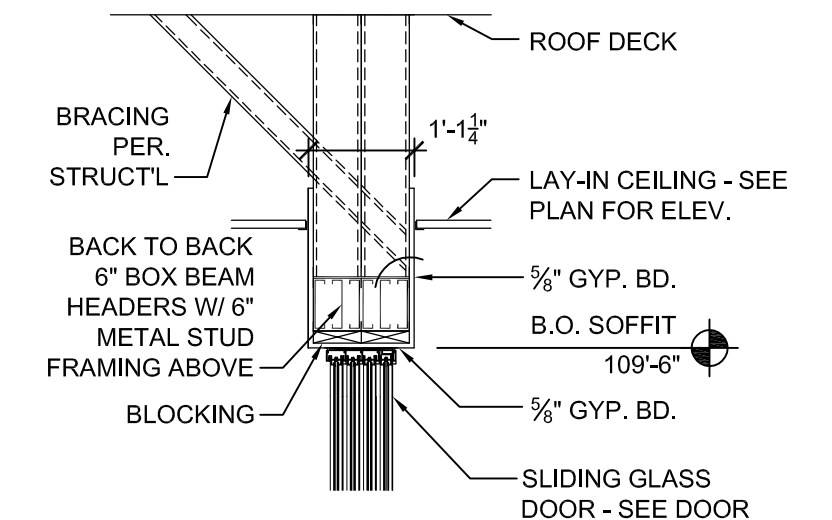
**4 CLNG. DTL.**  
1/2" = 1'-0"



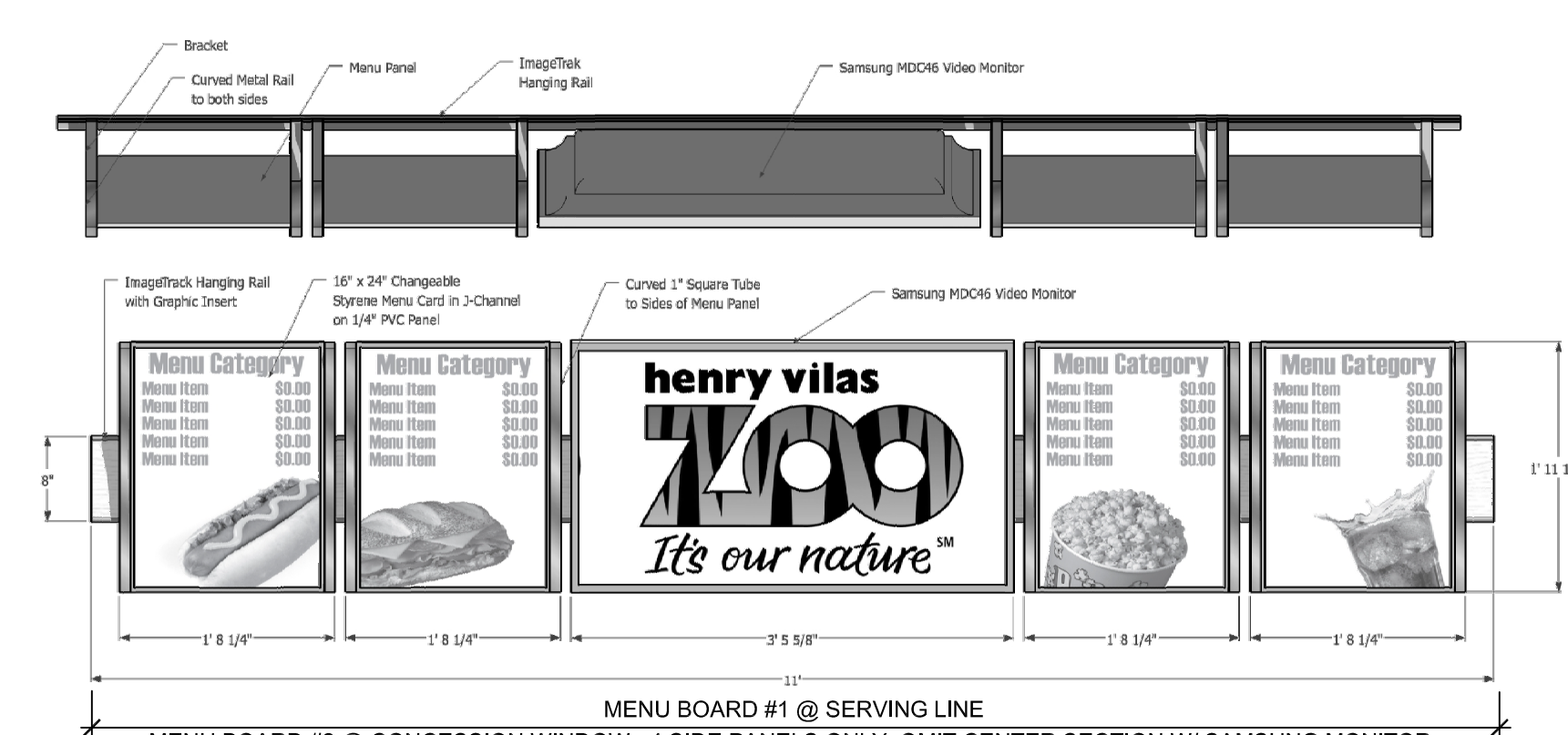
**5 CLNG. DTL.**  
1/2" = 1'-0"



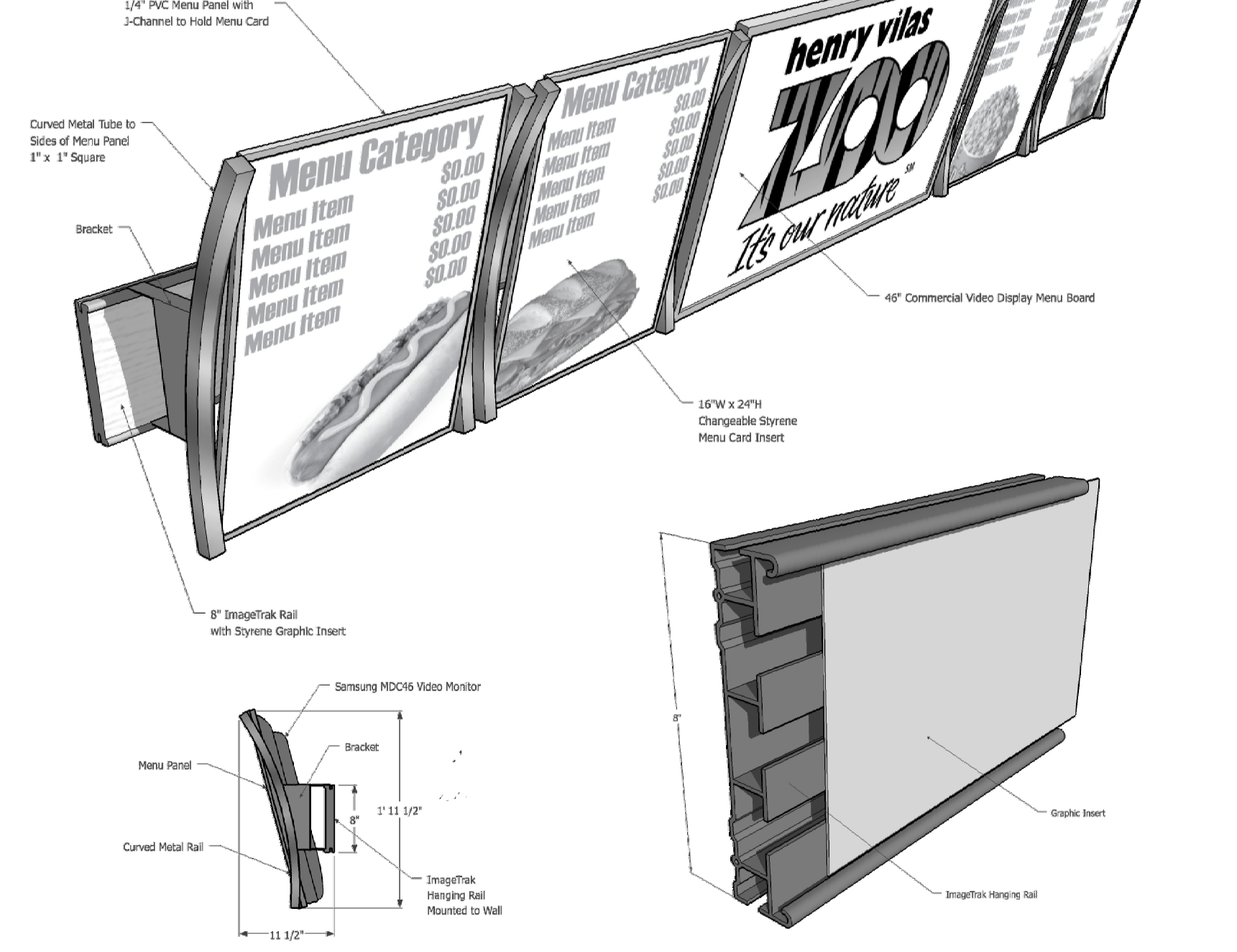
**6 CLNG. DTL.**  
1/2" = 1'-0"



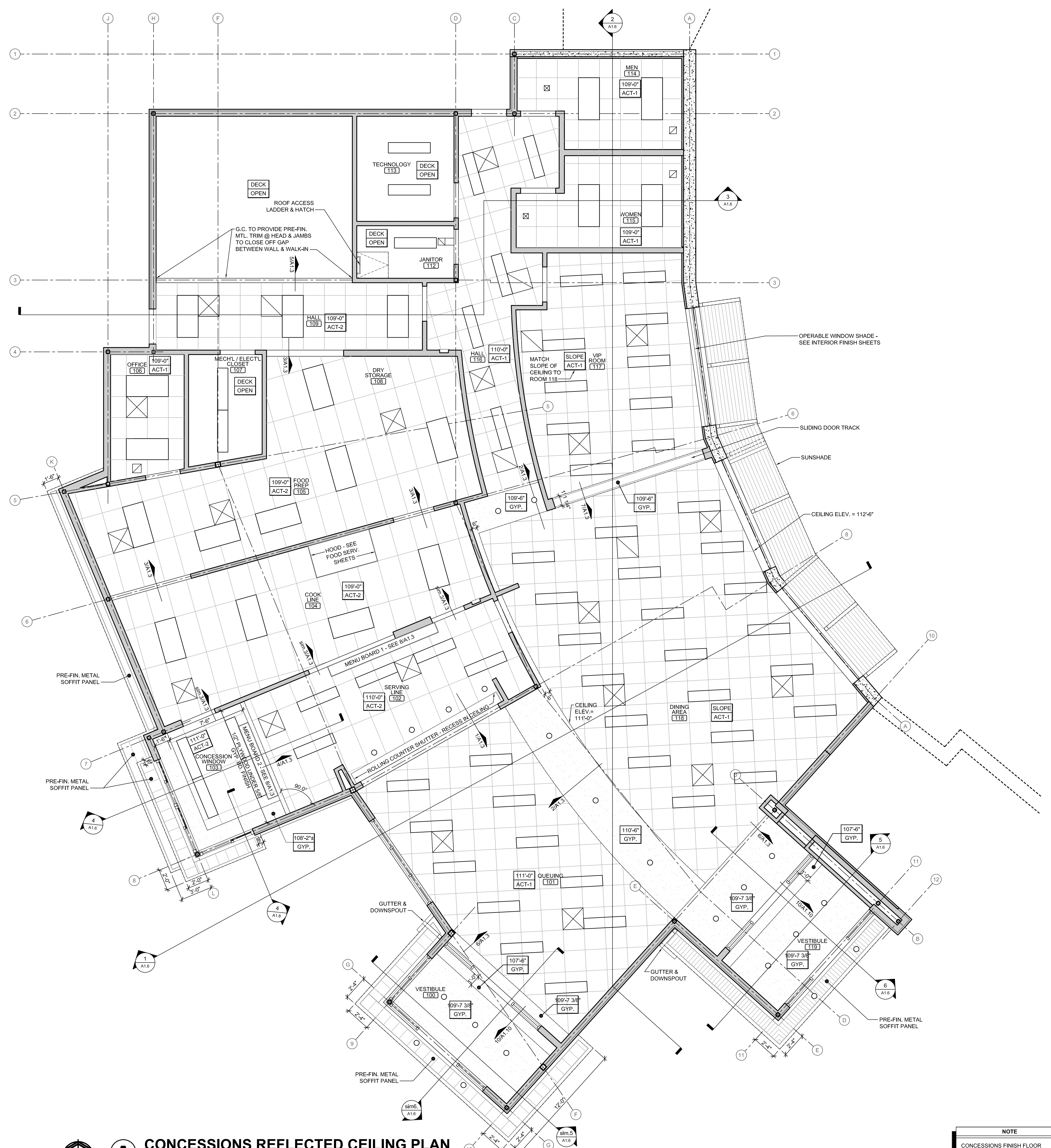
**7 CLNG. DTL.**  
1/2" = 1'-0"



**8 MENU BOARD**  
1/2" = 1'-0"



**8 MENU BOARD**  
1/2" = 1'-0"



**A CONCESSIONS REFLECTED CEILING PLAN**  
SCALE: 1/4" = 1'-0"

**NOTE**  
CONCESSIONS FINISH FLOOR ELEVATION 100'-0" (AS USED IN THESE 'A' SHEETS) EQUALS SITE ELEVATION 109.00 (VERIFY W/ SITE SHEETS)

**wcm ARCHITECTS**  
WDM Architects P.A.  
105 North Washington  
Wichita, KS 67202-2815  
T 316.262.4700  
F 316.262.0002  
wdmarchitects.com

**we do more**  
**henry vilas ZOO**

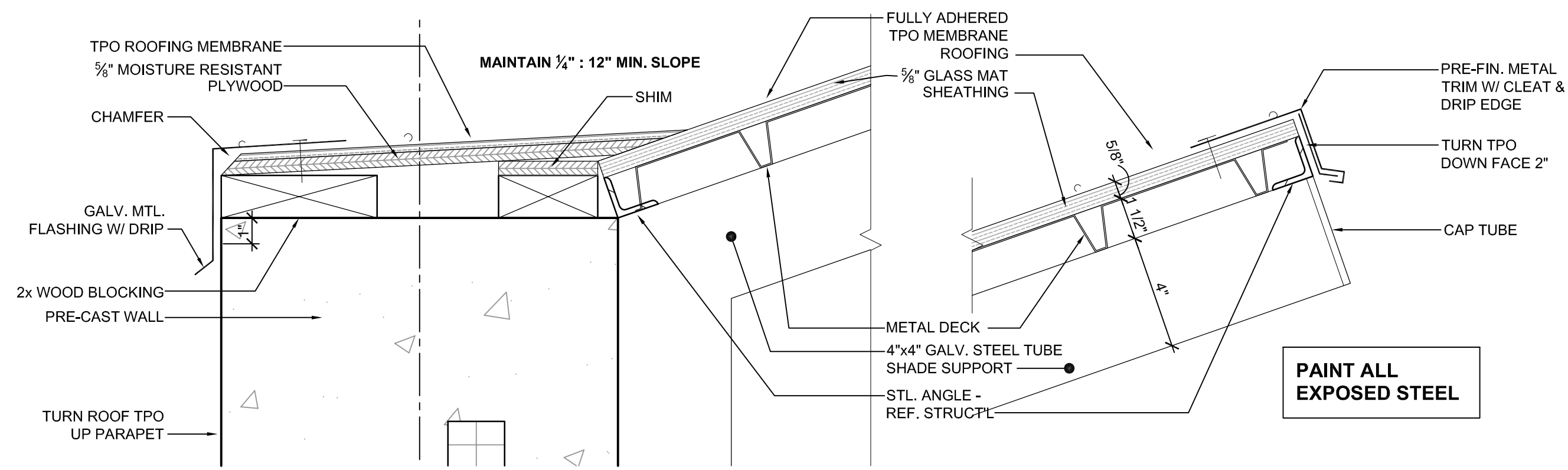
**ARCTIC ANIMAL EXHIBIT AND CONCESSIONS**  
RFB No. 313086  
Henry Vilas Zoo - County of Dane  
Department of Public Works  
1919 Alliant Energy Center Way  
702 S Randall Ave  
Madison, Wisconsin

PRINTS ISSUED  
07.26.2013 - Schematic Design  
08.23.2013 - Design Development  
09.23.2013 - 65% CD's  
10.07.2013 - Pricing Set  
10.21.2013 - 95% CD's  
11.13.2013 - Bid Documents

WDM No. 13046  
drawn: DS  
checked: SR  
CONCESSIONS RCP

**A1.3**

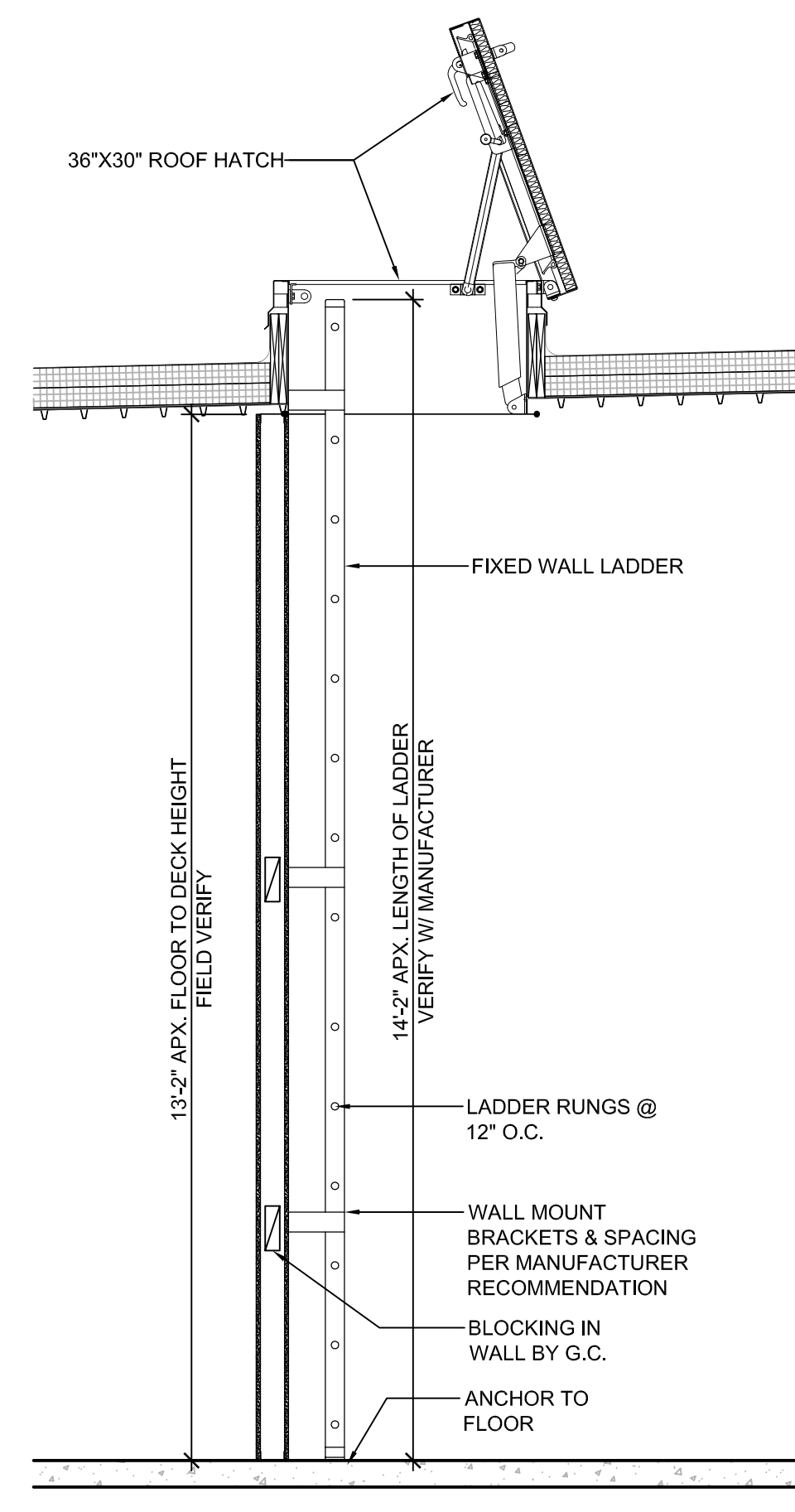




**1 SUN SHADE DETAIL**

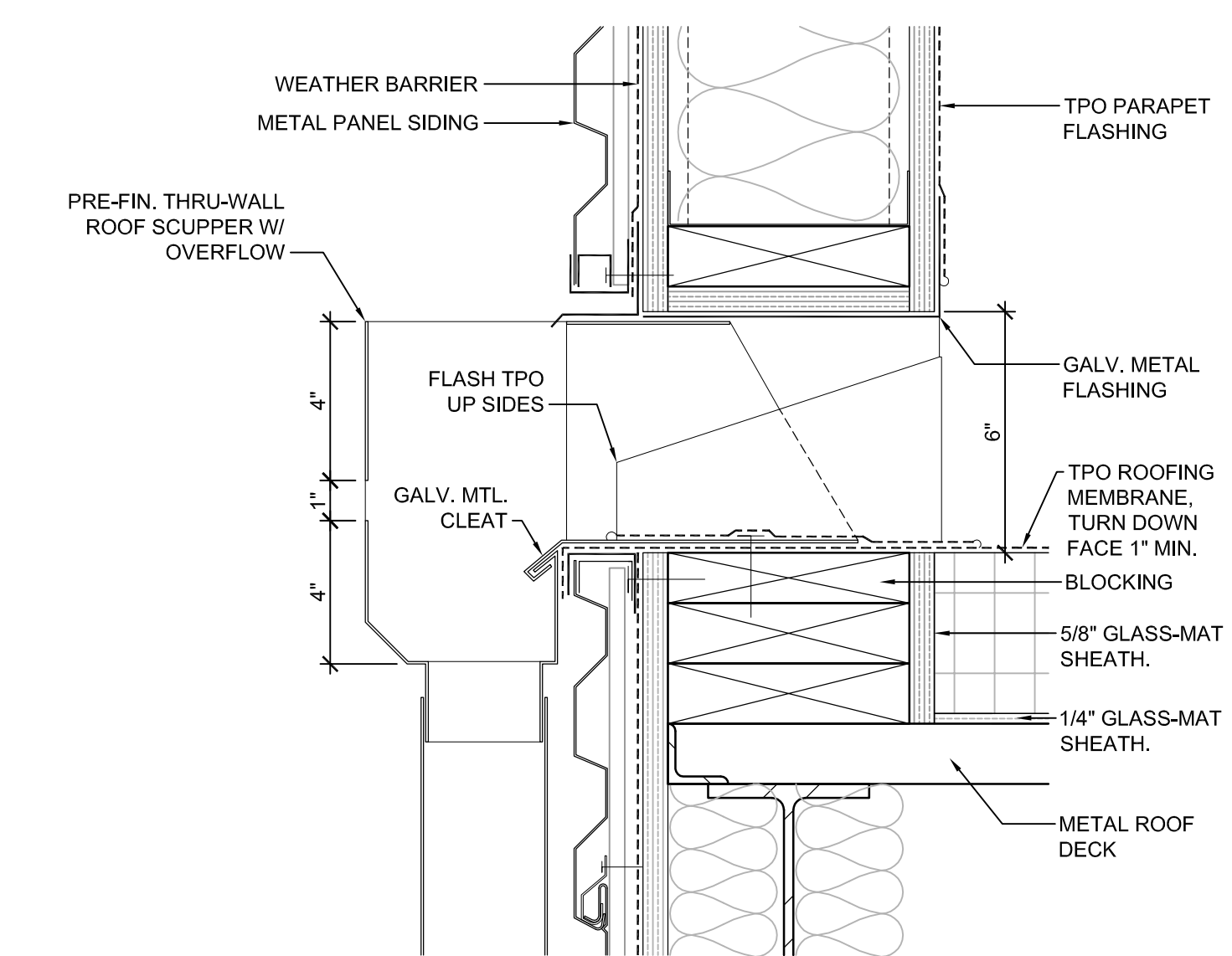
0 2" 4" 8"  
SCALE: 3" = 1'-0"

**2 NOT USED**  
0 2" 4" 8"  
SCALE: 3" = 1'-0"



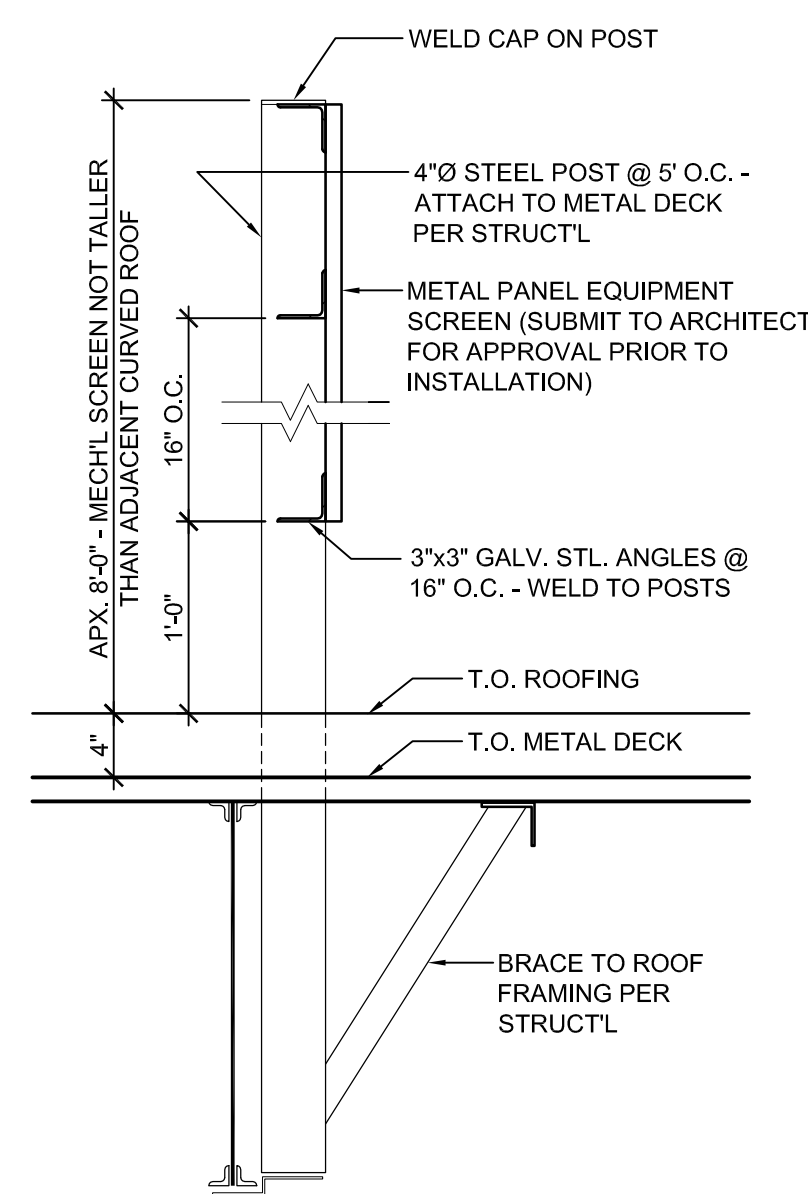
**3 ROOF ACCESS LADDER**

0 1' 2' 4'  
SCALE: 1/2" = 1'-0"



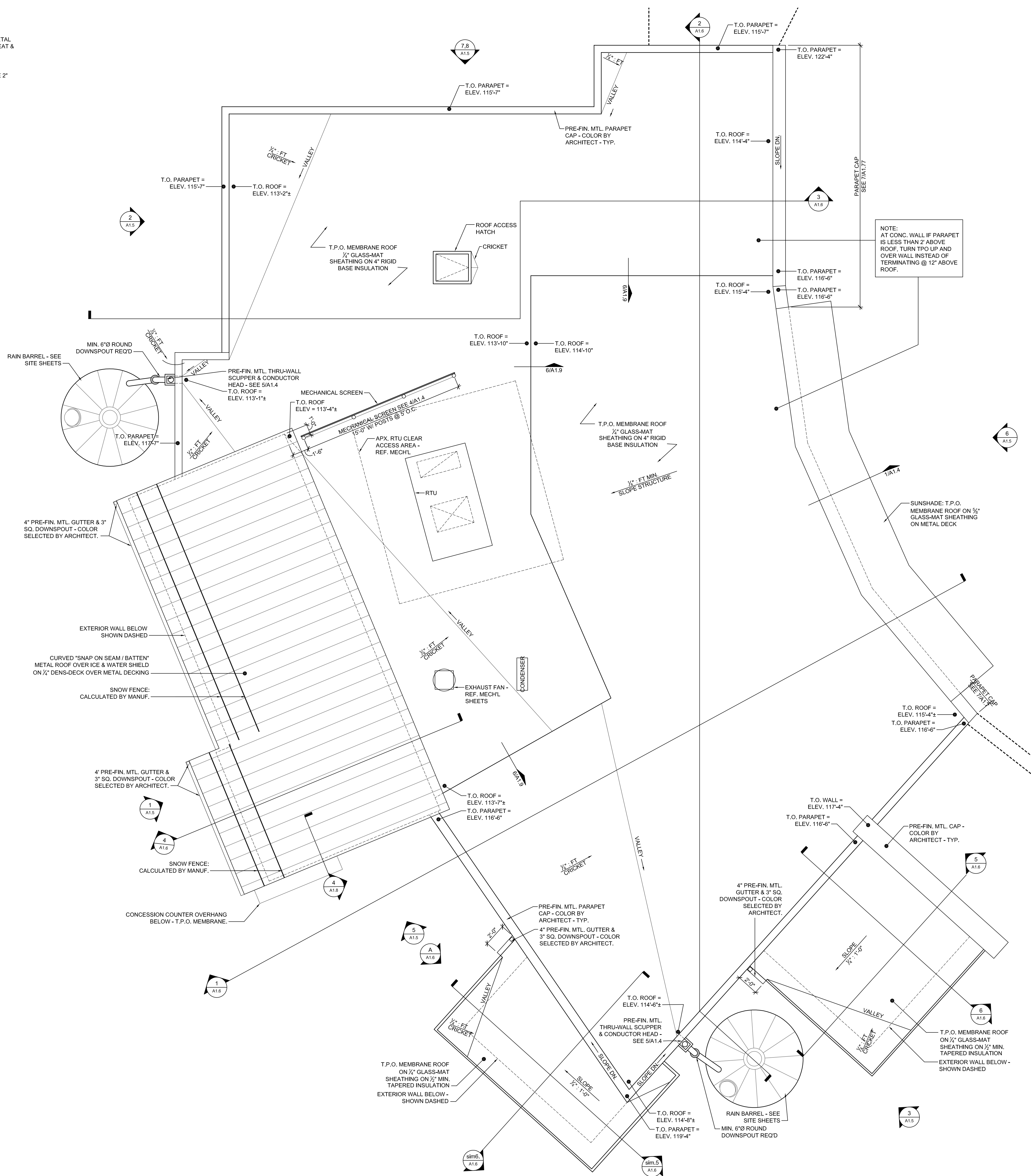
**5 ROOF SCUPPER DETAIL**

0 2" 4" 8"  
SCALE: 3" = 1'-0"



**4 EQUIP. SCREEN DETAIL**

0 6" 1' 2'  
SCALE: 1" = 1'-0"



**A CONCESSIONS ROOF PLAN**

0 2" 4" 8"  
SCALE: 1/4" = 1'-0"



**NOTE**  
CONCESSIONS FINISH FLOOR ELEVATION 100'-0" (AS USED IN THESE 'A' SHEETS) EQUALS SITE ELEVATION 109.00 (VERIFY W/ SITE SHEETS)



WDM Architects P.A.  
105 North Washington  
Wichita, KS 67202-2815  
T 316.262.4700  
F 316.262.0002  
wdmarchitects.com

we do more



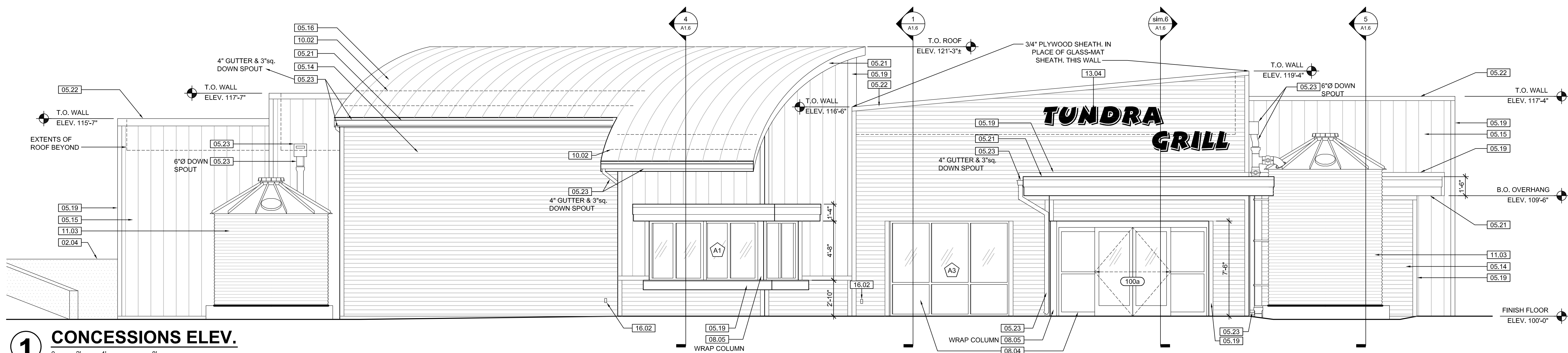
**ARCTIC ANIMAL EXHIBIT AND CONCESSIONS**  
RFB No. 313086  
Henry Vilas Zoo - County of Dane  
Department of Public Works  
Henry Vilas Zoo  
702 S Randall Ave  
Madison, Wisconsin  
1919 Alliant Energy Center Way  
Madison, Wisconsin

PRINTS ISSUED  
07.26.2013 - Schematic Design  
08.23.2013 - Design Development  
09.23.2013 - 65% CD's  
10.07.2013 - Pricing Set  
10.21.2013 - 95% CD's  
11.13.2013 - Bid Documents

WDM No. 13046  
drawn: DS  
checked: SR  
CONCESSIONS ROOF PLAN

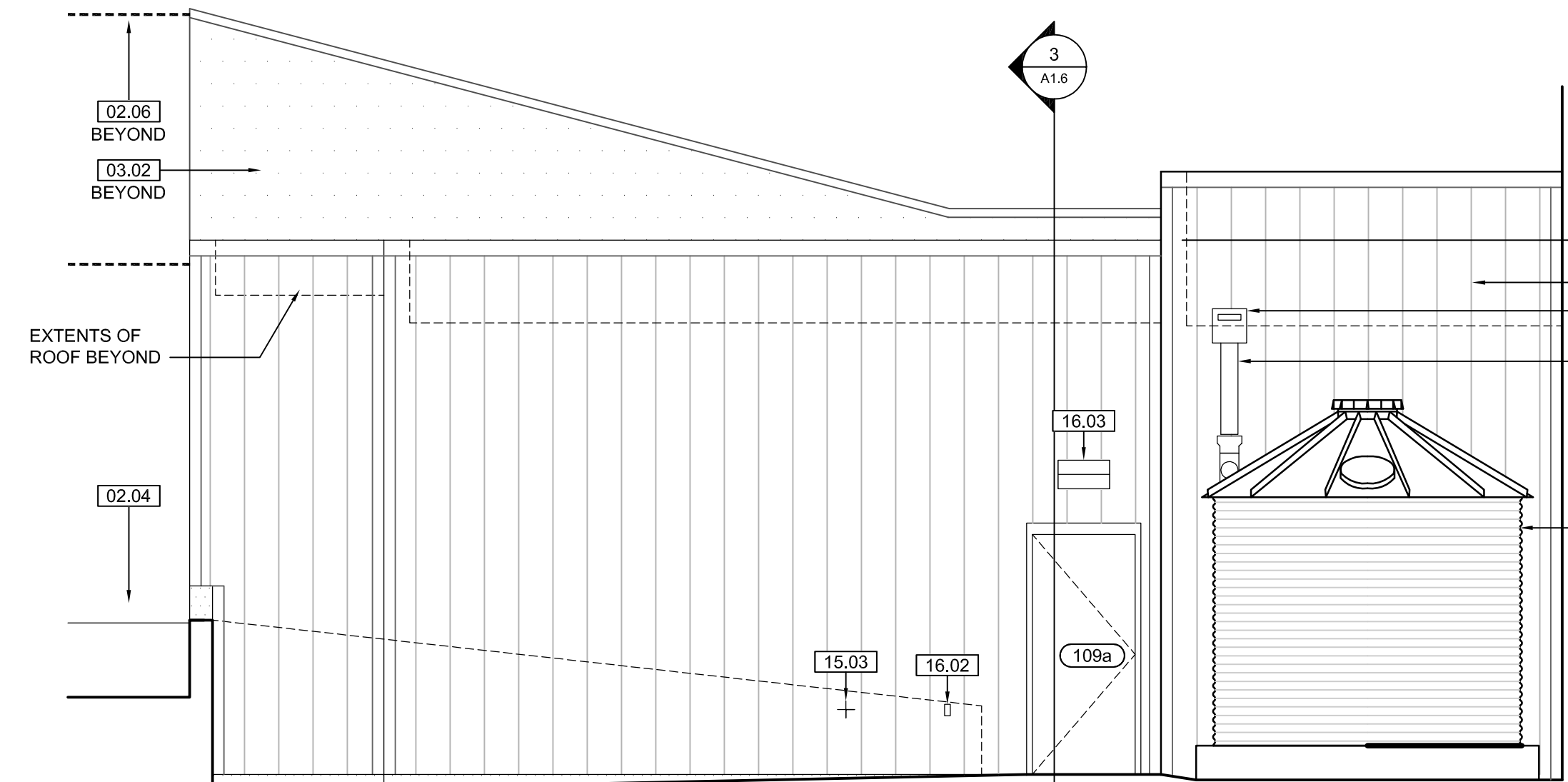
**A1.4**





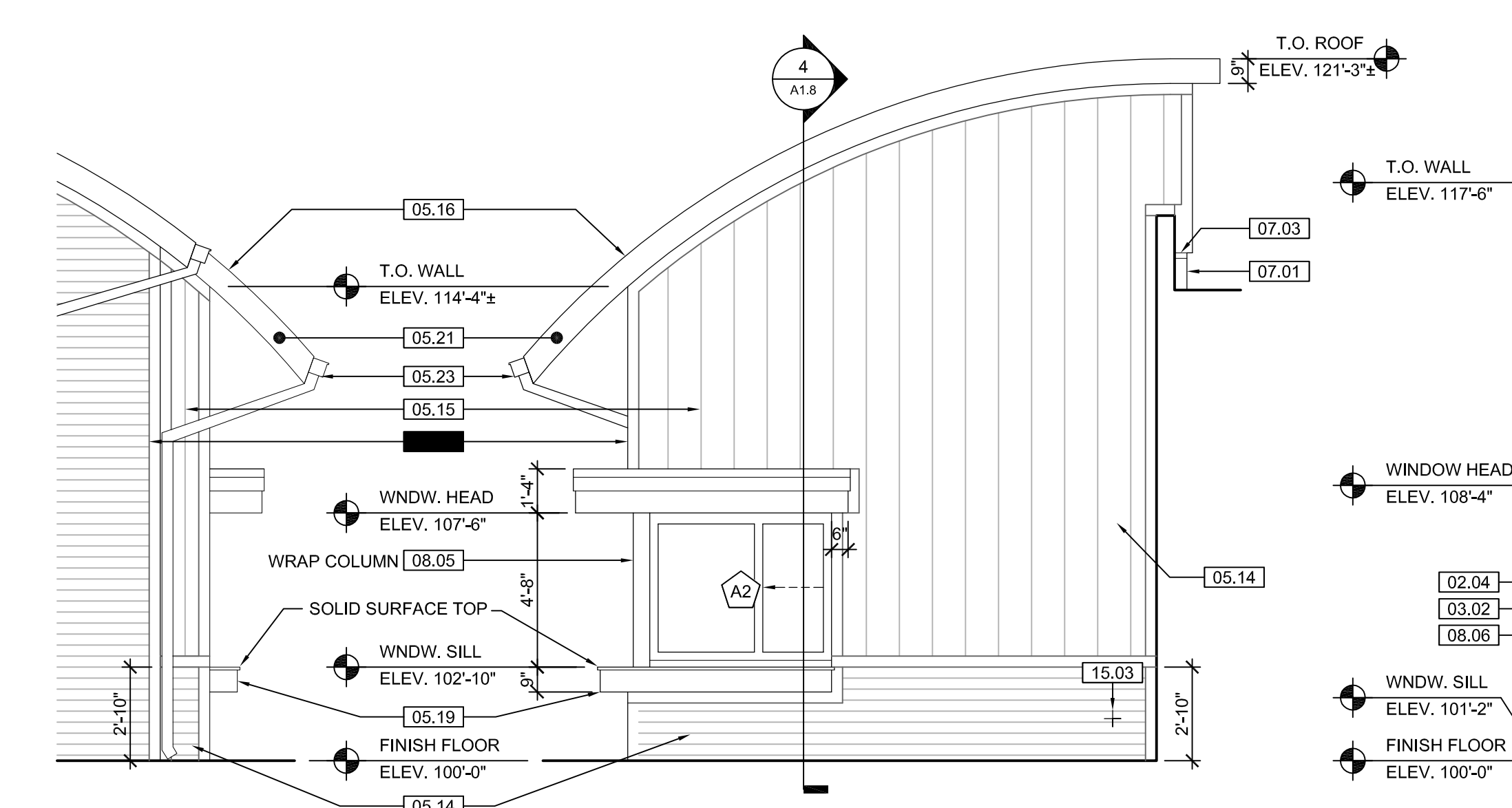
**1 CONCESSIONS ELEV.**

SCALE: 1/4" = 1'-0"



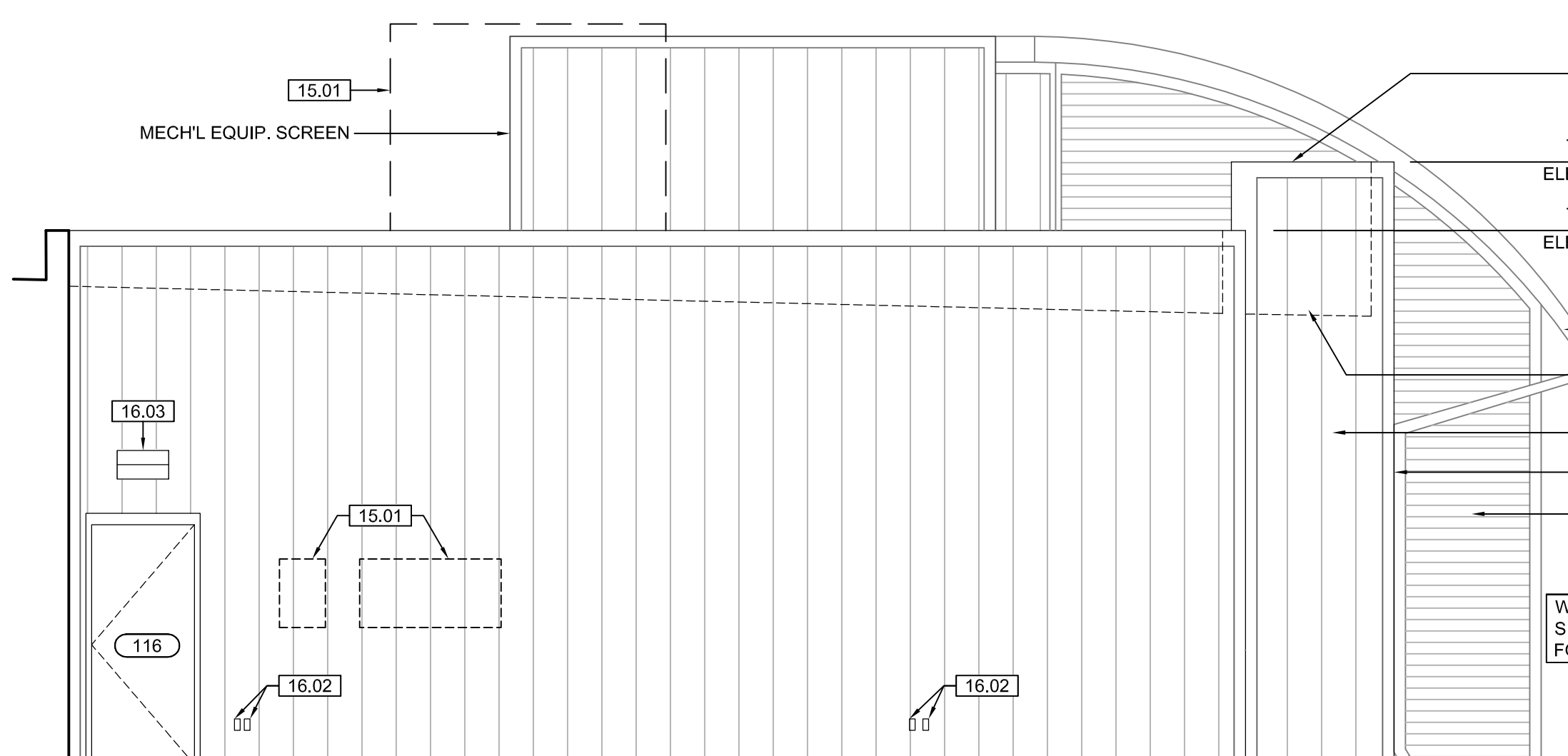
**2 CONCESSIONS ELEV.**

SCALE: 1/4" = 1'-0"



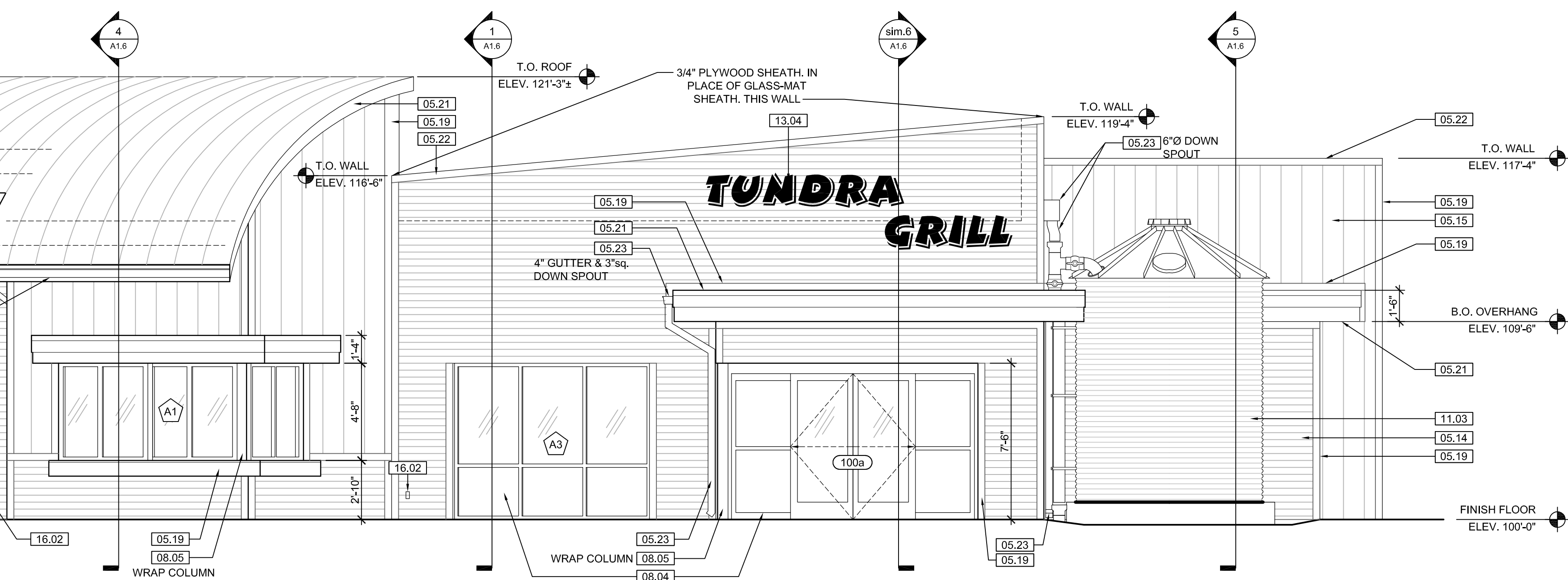
**4 CONCESSIONS ELEV.**

SCALE: 1/4" = 1'-0"



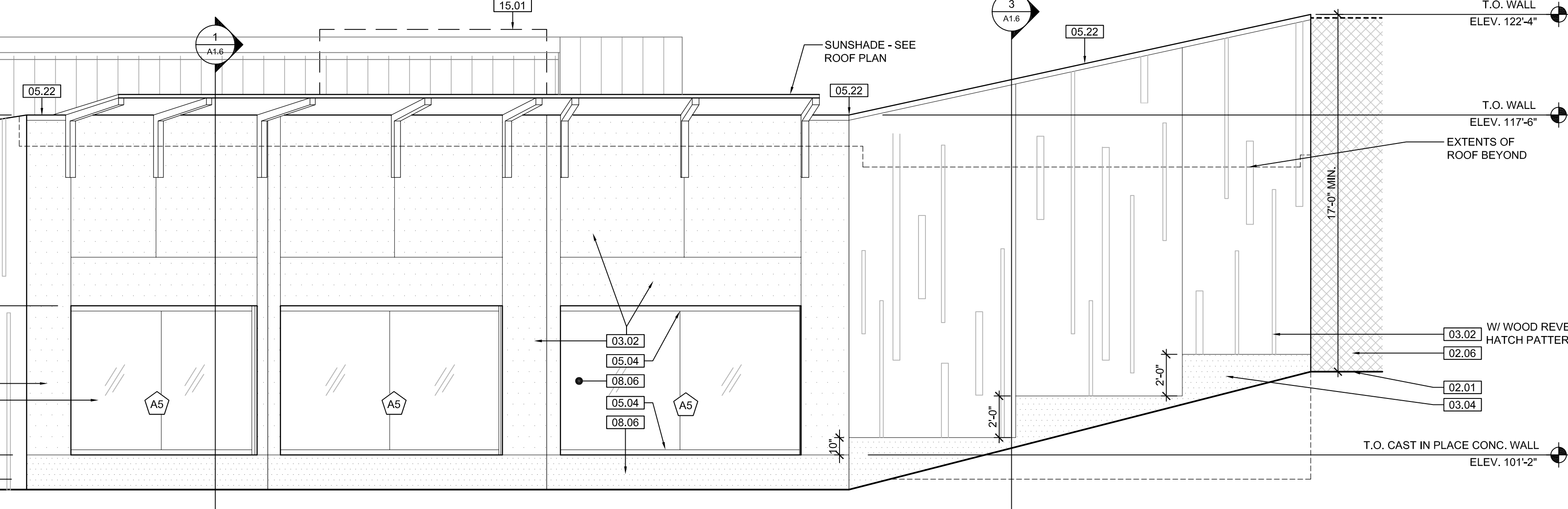
**7 CONCESSIONS ELEV.**

SCALE: 1/4" = 1'-0"



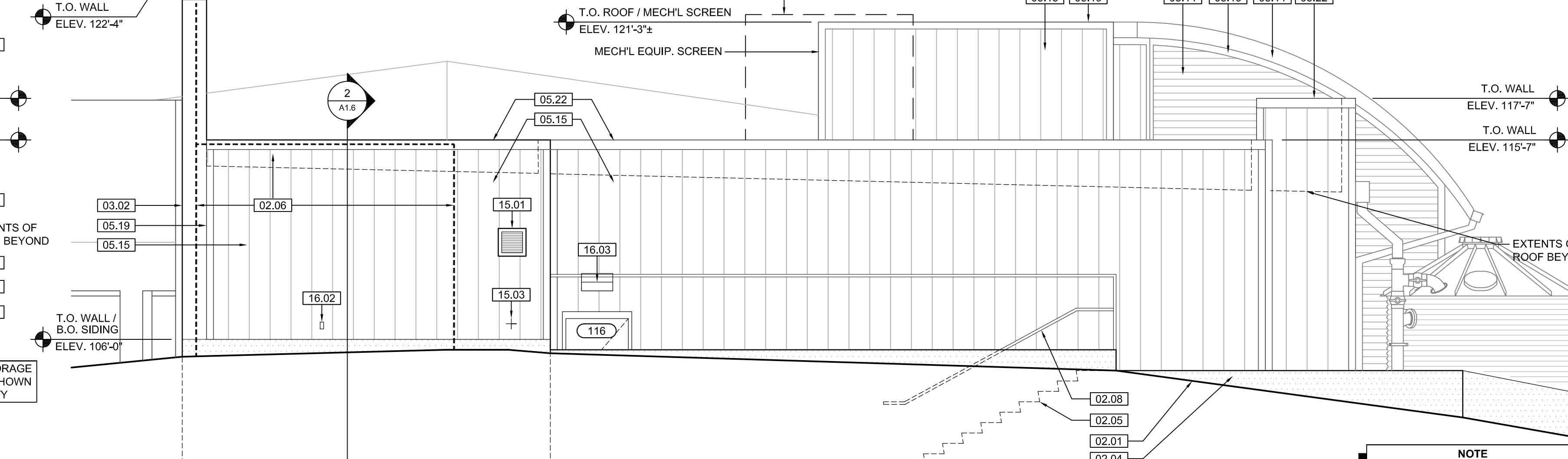
**3 CONCESSIONS ELEV.**

SCALE: 1/4" = 1'-0"



**6 CONCESSIONS ELEV.**

SCALE: 1/4" = 1'-0"



**8 CONCESSIONS ELEV.**

SCALE: 1/4" = 1'-0"

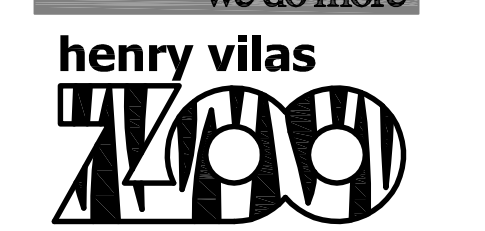
**KEYNOTE LEGEND:  
BUILDING ELEVATIONS, SECTIONS, WALL SECTIONS, & DETAILS**

<b>Division 01 - Existing Construction</b> 01.01 XXX	07.10 BATT INSULATION: R-19 MIN. TYPICAL, OR AS NOTED
<b>Division 02 - Site Construction</b> 02.01 GRADE - SEE SITE SHEETS	07.11 FOUNDATION INSULATION 48" BELOW GRADE
02.02 SIDEWALK OR SITE PAVING - SEE SITE SHEETS	07.12 EXPANSION JOINT
02.03 1/2" E.J. W/ 1/2" FIBER BD. & SELF LEVELING SEALANT	07.13 E.J. MATERIAL
02.04 SITE WALL - SEE SITE SHEETS	07.14 COLD APPLIED WATER PROOFING
02.05 SITE STAIR / RAMP / DOCK - SEE SITE SHEETS	07.15 6" EXPANDABLE WATER STOP
02.06 CONTAINMENT FENCE - SEE SITE SHEETS	07.16 1/2" RIGID EPS INTERIOR INSULATION WITH FURRING AS REQUIRED
02.07 TRENCH DRAIN - SEE SITE SHEETS	07.17 SPRAY FOAM INSULATION R-30
02.08 HANDRAIL - SEE SITE SHEETS	<b>Division 08 - Doors &amp; Windows</b> 08.01 HOLLOW METAL DOOR / FRAME - SEE DOOR SCHEDULE
<b>Division 03 - Concrete</b> 03.01 CONC. FOUNDATION / FOOTING - REF. STRUCTL.	08.02 R.F.P. DOOR / FRAME - SEE DOOR SCHEDULE
03.02 PRE-CAST CONCRETE WALL - REF. STRUCTL.	08.03 HOLLOW METAL WINDOW - SEE WINDOW TYPES
03.03 PRE-CAST HOLLOW CORE CONC. ROOF SLAB - REF. STRUCTL.	08.04 STOREFRONT WINDOW / DOOR - SEE WINDOW TYPES
03.04 CAST-IN-PLACE CONCRETE WALL - REF. STRUCTL.	08.05 PRE-FINISHED BREAK METAL - MATCH STOREFRONT FINISH
03.05 REINF. CONC. SLAB ON GRANULAR FILL OVER VAPOR BARRIER - REF. STRUCTL & GEOTECH REPORT	08.06 GLASS / ACRYLIC - SEE WINDOW TYPES
03.06 GROUT FILL - REF. STRUCTL.	08.07 SKYLIGHT - SEE SPEC.
<b>Division 04 - Masonry</b> 04.01 CMU - 8"x8"x16" NORMAL WEIGHT (OR AS NOTED) - REF. STRUCTL.	<b>Division 09 - Finishes</b> 09.01 3/4" GYP. BD. (OR AS INDICATED)
04.02 LAY-IN CEILING - SEE R.C.P.	09.02 LAY-IN CEILING - SEE R.C.P.
<b>Division 05 - Metals</b> 05.01 STEEL BEAM / JOIST / TRUSS - REF. STRUCTL.	09.03 MILLWORK / CASEWORK - SEE MILLWORK SHEETS
05.02 STEEL COLUMN - REF. STRUCTL.	09.04 SOLID SURFACE - SEE FIN. SCHED.
05.03 STEEL TUBE (SIZE AS NOTED) - REF. STRUCTL.	09.05 PAINT
05.04 STEEL ANGLE (SIZE AS NOTED) - REF. STRUCTL.	<b>Division 10 - Specialties</b> 10.01 THEMWORK - SEE THEMWORK SHEETS
05.05 STEEL PLATE (SIZE AS NOTED) - REF. STRUCTL.	10.02 SNOW GUARDS - PER MANUF. RECOMMENDED LAYOUT - COLOR TO MATCH ROOF
05.06 STEEL LINTEL - REF. STRUCTL.	<b>Division 11 - Equipment</b> 11.01 KITCHEN EQUIPMENT - SEE KITCHEN EQUIPMENT SHEETS
05.07 METAL ROOF DECK - REF. STRUCTL.	11.02 EQUIPMENT BY OWNER - N.I.C.
05.08 3 1/2" METAL STUD FRAMING @ 16" O.C. - REF. STRUCTL.	11.03 WATER STORAGE SILO - SEE SITE SHEETS (ANY PAINTED SIGNAGE BY OWNER)
05.09 6" METAL STUD FRAMING @ 16" O.C. - REF. STRUCTL.	<b>Division 12 - Furnishings</b> 12.01 XXX
05.10 PRE-FINISHED METAL SOFFIT PANEL	<b>Division 13 - Special Construction</b> 13.01 2"x2"x1/8" S.S. WOVEN WIRE MESH W/ BLACK OXIDE FINISH - SEE TYP. DETAIL F/SA7.1
05.11 METAL FRAMING AS REQ'D	13.02 CAGEWORK: 3/8" LACING BAR - SEE DETAILS FOR STANDOFF LOCNS.
05.12 HEADER - REF. STRUCTL.	13.03 CAGEWORK: SEE CAGEWORK SHEETS
05.13 COLD ROLLED METAL JOISTS @ 16" O.C. (SIZE AS INDIC'D) - REF. STRUCTL.	13.04 SIGNAGE (BY OWNER) - COORDINATE MOUNTING & ELECTRICAL REQUIREMENTS
05.14 PRE-FINISHED HORIZONTAL METAL PANEL SIDING	<b>Division 14 - Conveying Systems</b> 14.01 XXX
05.15 PRE-FINISHED VERTICAL METAL PANEL SIDING	<b>Division 15 - Mechanical</b> 15.01 HVAC UNIT / EQUIPMENT / DUCT - REF. MECHL.
05.16 PRE-FINISHED STANDING SNAP ON SEAM CURVED METAL ROOF	15.02 PLUMBING EQUIPMENT / LINE / FLOOR DRAIN - REF. PLUMB'G
05.17 GALV. CORRUGATED METAL ROOFING	15.03 HOSEBIB - REF. PLUMB'G
05.18 FURRING PER METAL SIDING MANUF. RECOMMENDATION	15.04 BEAR YARD FAN & DUCTWORK: MAIN DUCT IS 8" PVC PIPE W/ 3" PVC PIPE VENTS @ 12" O.C. - DUCTWORK CAST INTO CONC. WALL. REFERENCE MECHANICAL SHEETS FOR FAN EQUIPMENT.
05.19 PRE-FINISHED MTL. FLASHING	15.05 12" LAYER CRUSHED CLEAR STONE, SURROUNDED BY NON-WOVEN GEO-TEXTILE FABRIC W/ SLOTTED DRAIN TILE
05.20 PRE-FINISHED MTL. SILL FLASHING	<b>Division 16 - Electrical</b> 16.01 LIGHT FIXTURE - REF. ELECTL.
05.21 PRE-FINISHED MTL. FASCIA	16.02 ELECTRICAL OUTLET - REF. ELECTL.
05.22 PRE-FINISHED MTL. PARAPET FLASHING	16.03 LIGHT SWITCH - REF. ELECTL.
05.23 PRE-FIN. METAL GUTTER OR CONDUCTOR HEAD & DOWNSPOUT	
05.24 GALV. 6" HALF ROUND GUTTER & 2" DIAM. DOWNSPOUT	
05.25 PRE-FIN. METAL TRIM - PER SIDING MANUFACTURER'S INSTALLATION INSTRUCTIONS	
<b>Division 06 - Wood &amp; Plastics</b> 06.01 BLOCKING, 2X OR SIZE AS INDIC'D	
06.02 WOOD TRIM, 1X OR SIZE AS INDIC'D - SEE SPEC	
06.03 WOOD BEAM / JOISTS - REF. STRUCTL.	
06.04 WOOD COLUMN - REF. STRUCTL.	
06.05 PLYWOOD SHEATHING - 3/4" OR SIZE AS INDIC'D	
06.06 1/2" GLASS-MAT ROOF COVER BD.	
06.07 3/4" GLASS-MAT SHEATHING SHEATHING	
06.08 ROOF SHEATHING - REF. STRUCTL.	
06.09 2x FASCIA OR SIZE AS INDIC'D	
06.10 6" CEDAR SHIP LAP SIDING ON 1X SLEEPERS	
06.11 CEDAR TRIM	
<b>Division 07 - Thermal &amp; Moisture</b> 07.01 FULLY ADHERED T.P.O. MEMBRANE ROOFING	
07.02 FULLY ADHERED T.P.O. FLASHING STRIP	
07.03 TERMINATION BAR	
07.04 SEALANT	
07.05 CONTINUOUS BACKER ROD (DOUBLE WHERE NOTED)	
07.06 ACID BASE INSULATION, 3" MIN. AT BEAR & SEAL HOLDING, 4" MIN. AT RESTAURANT (OR THICKNESS & R-VALUE AS INDICATED)	
07.07 TAPERED INSULATION, 1/2" MIN.	
07.08 ICE & WATER SHIELD	
07.09 WEATHER BARRIER	

**NOTE**  
CONCESSIONS FINISH FLOOR ELEVATION 100'-0" (AS USED IN THESE 'X' SHEETS) EQUALS SITE ELEVATION 109.00 (VERIFY W/ SITE SHEETS)



WDM Architects P.A.  
105 North Washington  
Wichita, KS 67202-2815  
T 316.262.4700  
F 316.262.0002  
wdmarchitects.com



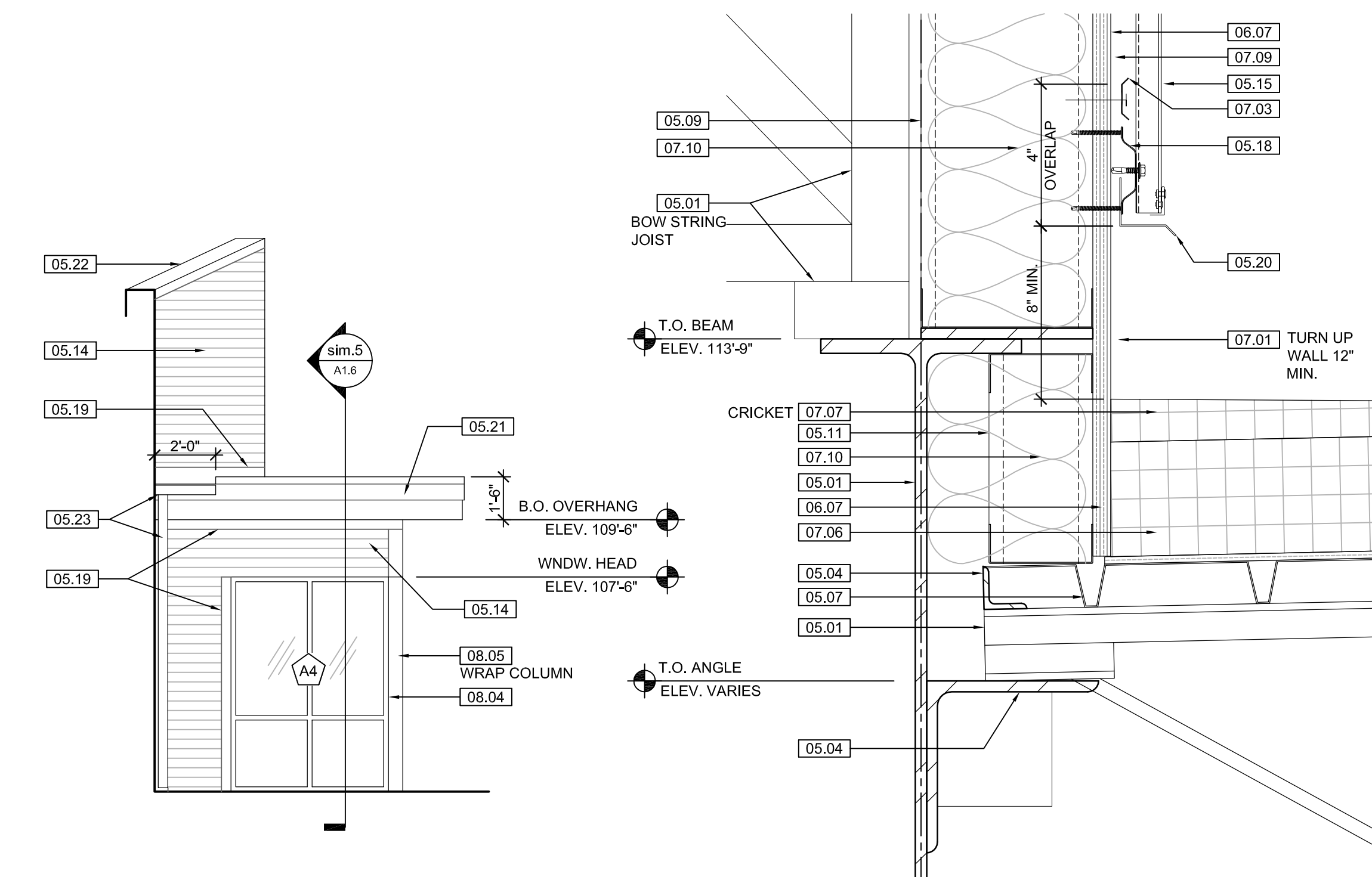
**ARCTIC ANIMAL EXHIBIT AND CONCESSIONS**  
RFB No. 313086  
Henry Vilas Zoo - County of Dane  
Department of Public Works  
Henry Vilas Zoo  
702 S Randall Ave  
Madison, Wisconsin

PRINTS ISSUED  
07.26.2013 - Schematic Design  
08.23.2013 - Design Development  
09.23.2013 - 65% CD's  
10.07.2013 - Pricing Set  
10.21.2013 - 95% CD's  
11.13.2013 - Bid Documents

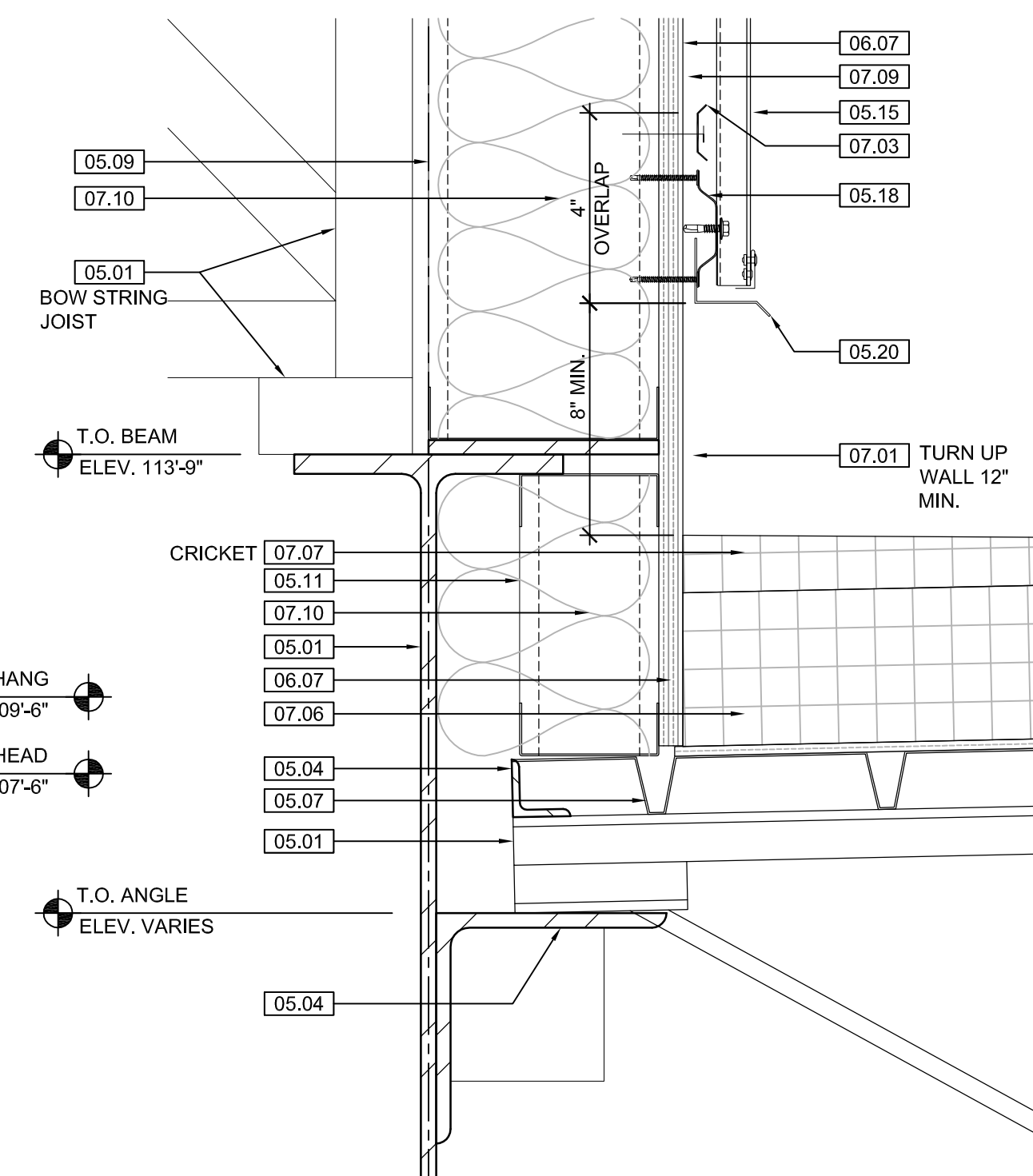
WDM No. 13046  
drawn: DS  
checked: SR  
CONCESSIONS ELEVATIONS

**A1.5**

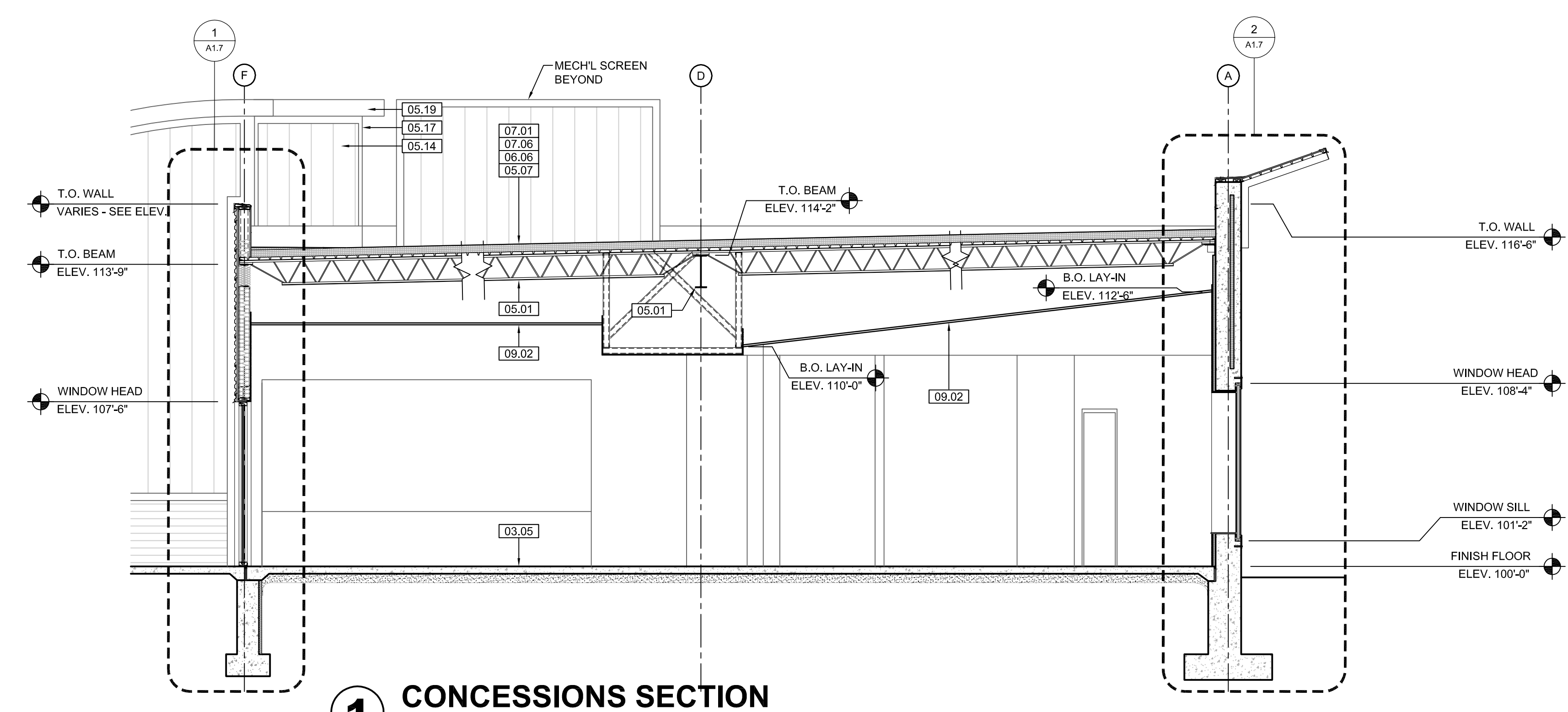




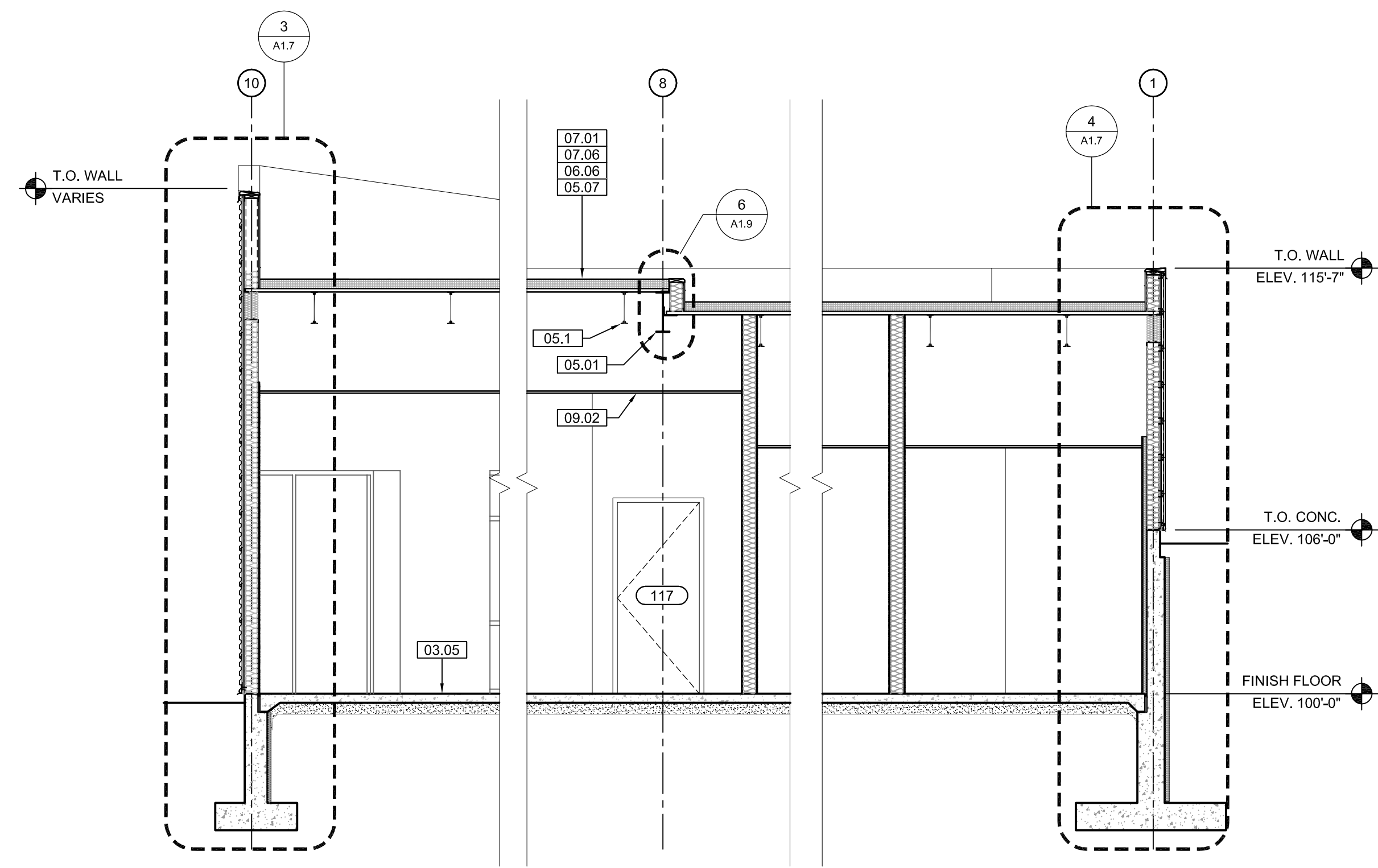
**A CONCESSIONS ELEVATION**  
SCALE: 1/4" = 1'-0"



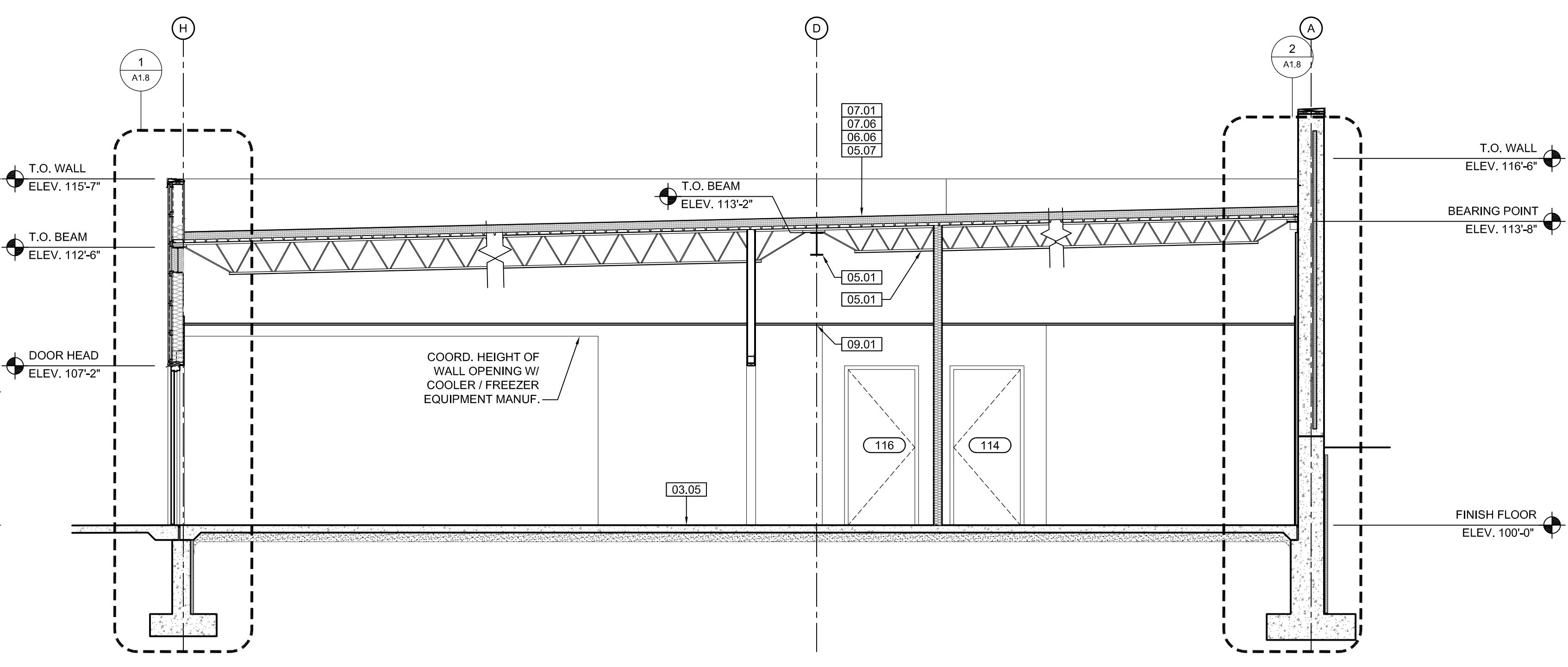
**B DETAIL**  
SCALE: 1/4" = 1'-0"



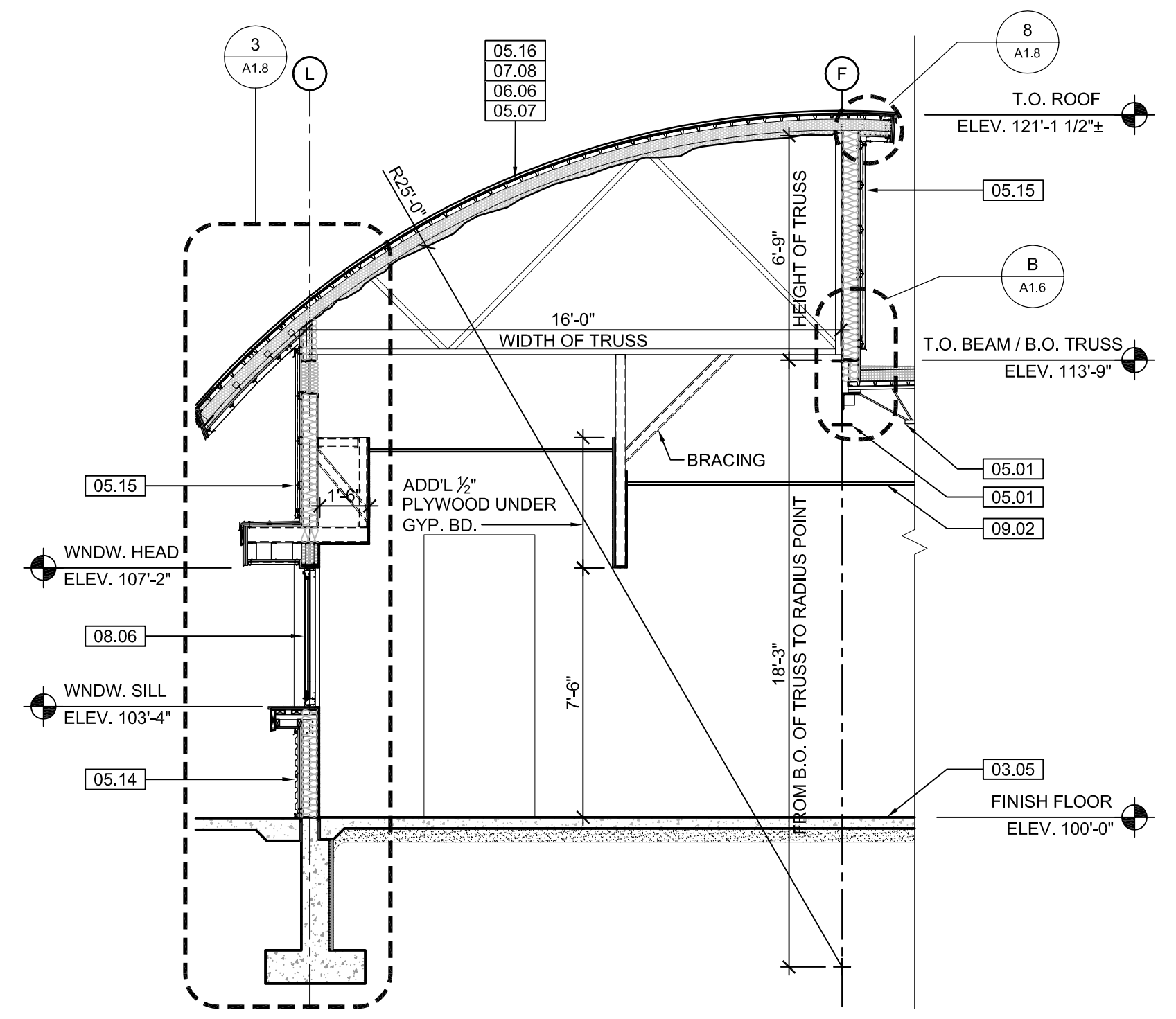
**1 CONCESSIONS SECTION**  
SCALE: 1/4" = 1'-0"



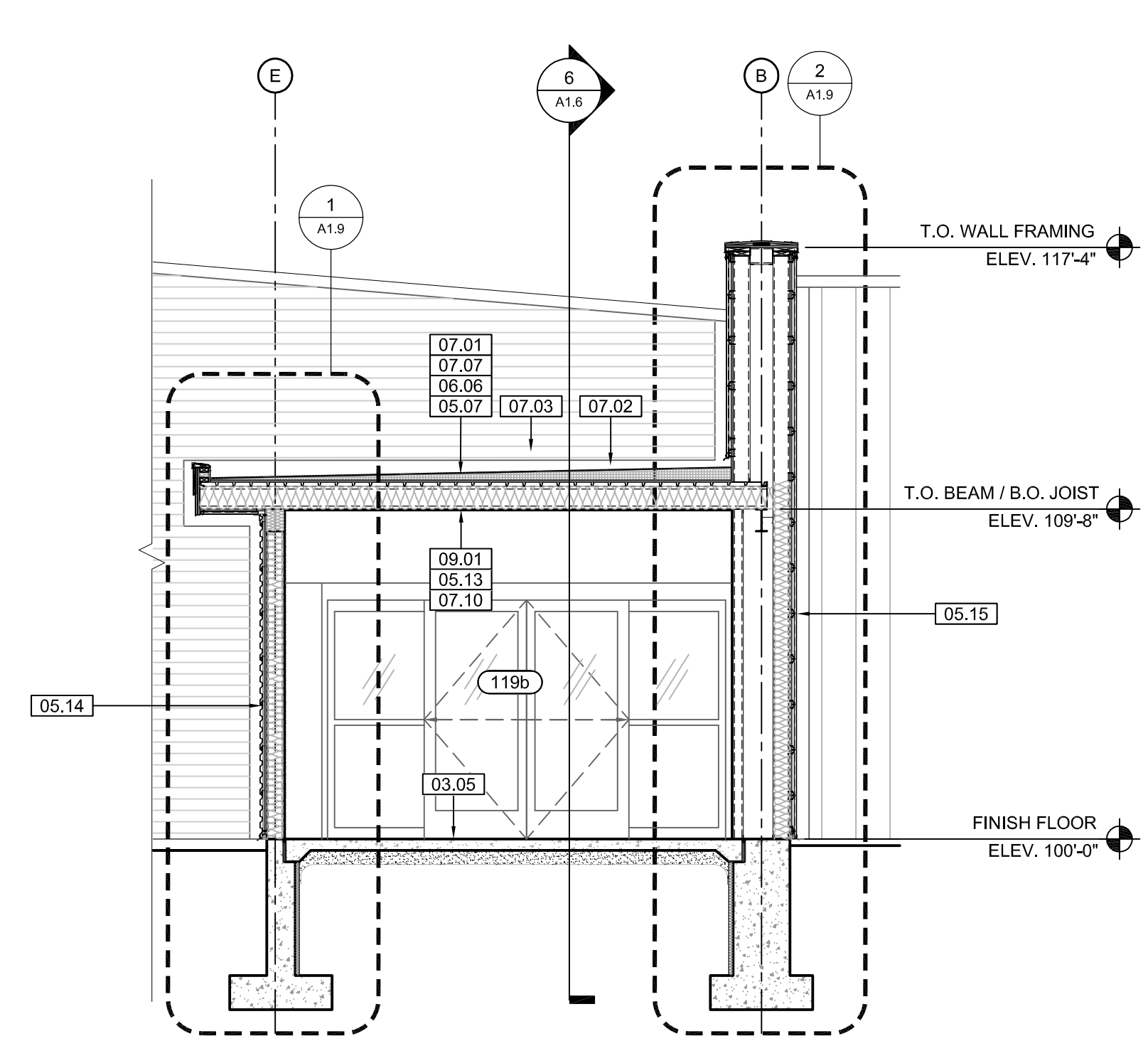
**2 CONCESSIONS SECTION**  
SCALE: 1/4" = 1'-0"



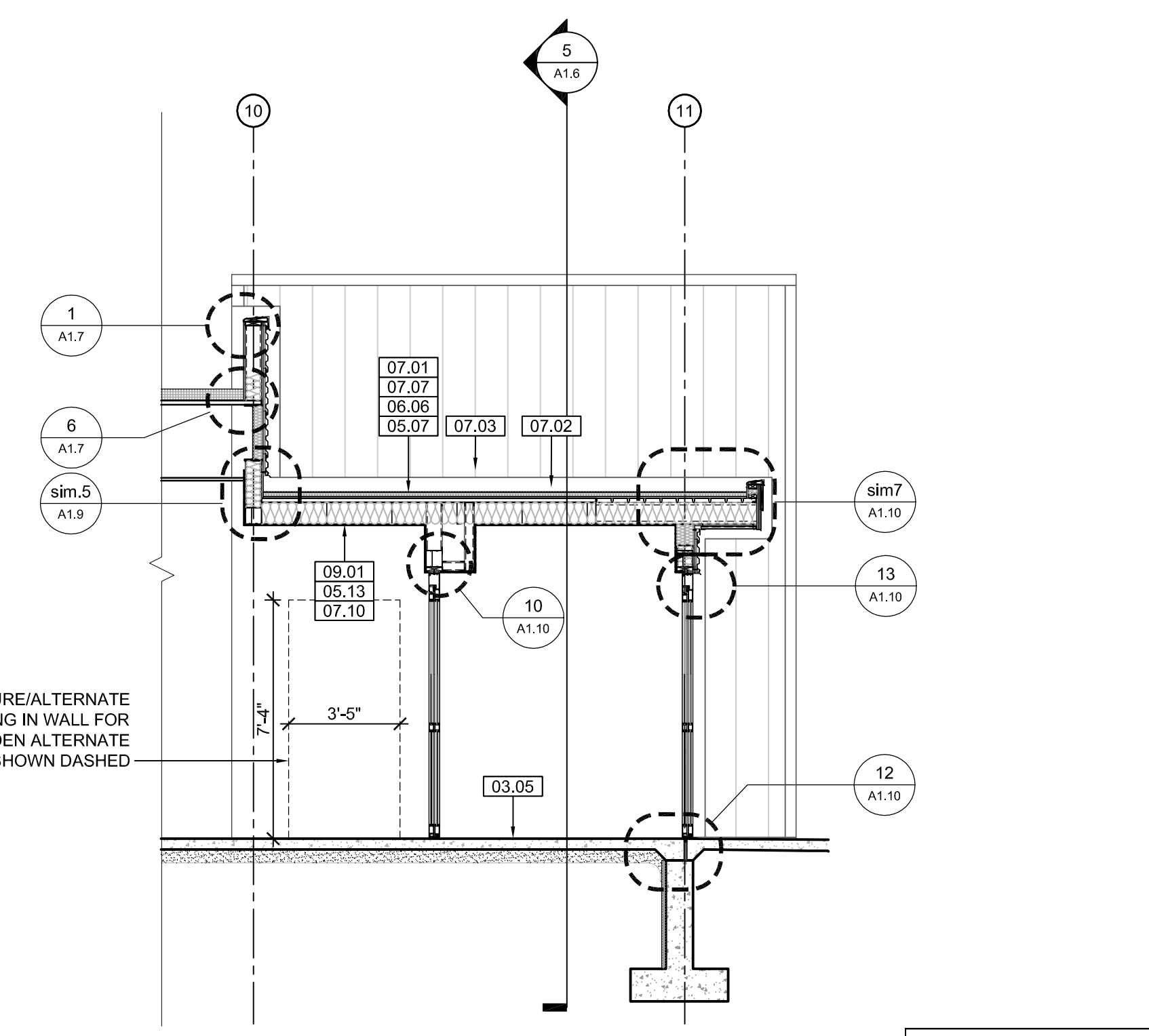
**3 CONCESSIONS SECTION**  
SCALE: 1/4" = 1'-0"



**4 CONCESSIONS SECTION**  
SCALE: 1/4" = 1'-0"



**5 CONCESSIONS SECTION**  
SCALE: 1/4" = 1'-0"



**6 CONCESSIONS SECTION**  
SCALE: 1/4" = 1'-0"

**NOTE**  
CONCESSIONS FINISH FLOOR ELEVATION 100'-0" (AS USED IN THESE 'X' SHEETS) EQUALS SITE ELEVATION 109.00 (VERIFY W/ SITE SHEETS)

**KEYNOTE LEGEND: BUILDING ELEVATIONS, SECTIONS, WALL SECTIONS, & DETAILS**

<b>Division 01 - Existing Construction</b> 01.01 XXX	07.10 BATT INSULATION R-19 MIN. TYPICAL, OR AS NOTED
<b>Division 02 - Site Construction</b> 02.01 GRADE - SEE SITE SHEETS	07.11 FOUNDATION INSULATION 4" BELOW GRADE
02.02 SIDEWALK OR SITE PAVING - SEE SITE SHEETS	07.12 EXPANSION JOINT
02.03 1/2" E.J. W/ 1/2" FIBER BD. & SELF LEVELING SEALANT	07.13 E.J. MATERIAL
02.04 SITE WALL - SEE SITE SHEETS	07.14 COLD APPLIED WATER PROOFING
02.05 SITE STAIR / RAMP / DOCK - SEE SITE SHEETS	07.15 6" EXPANDABLE WATER STOP
02.06 CONTAINMENT FENCE - SEE SITE SHEETS	07.16 1/2" RIGID EPS INTERIOR INSULATION WITH FURRING AS REQUIRED
02.07 TRENCH DRAIN - SEE SITE SHEETS	07.17 SPRAY FOAM INSULATION R-30
02.08 HANDRAIL - SEE SITE SHEETS	<b>Division 08 - Doors &amp; Windows</b> 08.01 HOLLOW METAL DOOR / FRAME - SEE DOOR SCHEDULE
<b>Division 03 - Concrete</b> 03.01 CONC. FOUNDATION / FOOTING - REF. STRUCTL.	08.02 R.F.P. DOOR / FRAME - SEE DOOR SCHEDULE
03.02 PRE-CAST CONCRETE WALL - REF. STRUCTL.	08.03 HOLLOW METAL WINDOW - SEE WINDOW TYPES
03.03 PRE-CAST HOLLOW CORE CONC. ROOF SLAB - REF. STRUCTL.	08.04 STOREFRONT WINDOW / DOOR - SEE WINDOW TYPES
03.04 CAST-IN-PLACE CONCRETE WALL - REF. STRUCTL.	08.05 PRE-FINISHED BREAK METAL - MATCH STOREFRONT FINISH
03.05 REINF. CONC. SLAB ON GRANULAR FILL OVER VAPOR BARRIER - REF. STRUCTL & GEOTECH REPORT	08.06 GLASS / ACRYLIC - SEE WINDOW TYPES
03.06 GROUT FILL - REF. STRUCTL.	08.07 SKYLIGHT - SEE SPEC.
<b>Division 04 - Masonry</b> 04.01 CMU - 8"x8"x16" NORMAL WEIGHT (OR AS NOTED) - REF. STRUCTL.	<b>Division 09 - Finishes</b> 09.01 5/8" GYP. BD. (OR AS INDICATED) (OR AS NOTED) - REF. STRUCTL.
<b>Division 05 - Metals</b> 05.01 STEEL BEAM / JOIST / TRUSS - REF. STRUCTL.	09.02 LAY-IN CEILING - SEE R.C.P.
05.02 STEEL COLUMN - REF. STRUCTL.	09.03 MILLWORK / CASEWORK - SEE MILLWORK SHEETS
05.03 STEEL TUBE (SIZE AS NOTED) - REF. STRUCTL.	09.04 SOLID SURFACE - SEE FIN. SCHED.
05.04 STEEL ANGLE (SIZE AS NOTED) - REF. STRUCTL.	09.05 PAINT
05.05 STEEL PLATE (SIZE AS NOTED) - REF. STRUCTL.	<b>Division 10 - Specialties</b> 10.01 THEMWORK - SEE THEMWORK SHEETS
05.06 STEEL LINTEL - REF. STRUCTL.	10.02 SNOW GUARDS - PER MANUF. RECOMMENDED LAYOUT - COLOR TO MATCH ROOF
05.07 METAL ROOF DECK - REF. STRUCTL.	<b>Division 11 - Equipment</b> 11.01 KITCHEN EQUIPMENT - SEE KITCHEN EQUIPMENT SHEETS
05.08 3 1/2" METAL STUD FRAMING @ 16" O.C. - REF. STRUCTL.	11.02 EQUIPMENT BY OWNER - N.I.C.
05.09 6" METAL STUD FRAMING @ 16" O.C. - REF. STRUCTL.	11.03 WATER STORAGE SILO - SEE SITE SHEETS (ANY PAINTED SIGNAGE BY OWNER)
05.10 PRE-FINISHED METAL SOFFIT PANEL	<b>Division 12 - Furnishings</b> 12.01 XXX
05.11 METAL FRAMING AS REQ'D	<b>Division 13 - Special Construction</b> 13.01 2"x2"x1/2" S.S. WOVEN WIRE MESH W/ BLACK OXIDE FINISH - SEE TYP. DETAIL F/SA7.1
05.12 HEADER - REF. STRUCTL.	13.02 CAGEWORK: 3/8" LACING BAR - SEE DETAILS FOR STANDOFF LOOBS.
05.13 COLD ROLLED METAL JOISTS @ 16" O.C. (SIZE AS INDIC'D) - REF. STRUCTL.	13.03 CAGEWORK: SEE CAGEWORK SHEETS
05.14 PRE-FINISHED HORIZONTAL METAL PANEL SIDING	13.04 SIGNAGE (BY OWNER) - COORDINATE MOUNTING & ELECTRICAL REQUIREMENTS
05.15 PRE-FINISHED VERTICAL METAL PANEL SIDING	<b>Division 14 - Conveying Systems</b> 14.01 XXX
05.16 PRE-FINISHED STANDING SNAP ON SEAM CURVED METAL ROOF	<b>Division 15 - Mechanical</b> 15.01 HVAC UNIT / EQUIPMENT / DUCT - REF. MECHL.
05.17 GALV. CORRUGATED METAL ROOFING	15.02 PLUMBING EQUIPMENT / LINE / FLOOR DRAIN - REF. PLUMB'G
05.18 FURRING PER METAL SIDING MANUF. RECOMMENDATION	15.03 HOSEBIB - REF. PLUMB'G
05.19 PRE-FINISHED MTL. FLASHING	15.04 BEAR YARD FAN & DUCTWORK: MAIN DUCT IS 8" PVC PIPE W/ 3" PVC PIPE VENTS @ 12" O.C. - DUCTWORK CAST INTO CONC. WALL. REFERENCE MECHANICAL SHEETS FOR FAN EQUIPMENT.
05.20 PRE-FINISHED MTL. SILL FLASHING	15.05 12" LAYER CRUSHED CLEAR STONE, SURROUNDED BY NON-WOVEN GEO-TEXTILE FABRIC W/ SLOTTED DRAIN TILE
05.21 PRE-FINISHED MTL. FASCIA	<b>Division 16 - Electrical</b> 16.01 LIGHT FIXTURE - REF. ELECTL.
05.22 PRE-FINISHED MTL. PARAPET FLASHING	16.02 ELECTRICAL OUTLET - REF. ELECTL.
05.23 PRE-FIN. METAL GUTTER OR CONDUCTOR HEAD & DOWNSPOUT	16.03 LIGHT SWITCH - REF. ELECTL.
05.24 GALV. 8" HALF ROUND GUTTER & 2" DIAM. DOWNSPOUT	<b>Division 06 - Wood &amp; Plastics</b> 06.01 BLOCKING, 2X OR SIZE AS INDIC'D - SEE SPEC
05.25 PRE-FIN. METAL TRIM - PER SIDING MANUFACTURER'S INSTALLATION INSTRUCTIONS	06.02 WOOD TRIM, 1X OR SIZE AS INDIC'D - SEE SPEC
<b>Division 07 - Thermal &amp; Moisture MEMBRANE ROOFING</b> 07.01 FULLY ADHERED T.P.O. FLASHING STRIP	06.03 WOOD BEAM / JOISTS - REF. STRUCTL.
07.02 FULLY ADHERED T.P.O. FLASHING STRIP	06.04 WOOD COLUMN - REF. STRUCTL.
07.03 TERMINATION BAR	06.05 PLYWOOD SHEATHING - 5/8" OR SIZE AS INDIC'D
07.04 SEALANT	06.06 1/2" GLASS-MAT ROOF COVER BD.
07.05 CONTINUOUS BACKER ROD (DOUBLE WHERE NOTED)	06.07 3/4" GLASS-MAT SHEATHING SHEATHING
07.06 ACID BASE INSULATION, 3" MIN. AT BEAR & SEAL HOLDING, 4" MIN. AT RESTAURANT (OR THICKNESS & R-VALUE AS INDICATED)	06.08 ROOF SHEATHING - REF. STRUCTL.
07.07 TAPERED INSULATION, 1/2" MIN.	06.09 2x FASCIA OR SIZE AS INDIC'D
07.08 ICE & WATER SHIELD	06.10 6" CEDAR SHIP LAP SIDING ON 1X SLEEPERS
07.09 WEATHER BARRIER	06.11 CEDAR TRIM

**wcm ARCHITECTS**  
WDM Architects P.A.  
105 North Washington  
Wichita, KS 67202-2815  
T 316.262.4700  
F 316.262.0002  
wdmarchitects.com

**we do more**  
**henry vilas**  
**WOOD**

**ARCTIC ANIMAL EXHIBIT AND CONCESSIONS**  
RFB No. 313086  
Henry Vilas Zoo - County of Dane  
Department of Public Works  
1919 Alliant Energy Center Way  
702 S Randall Ave  
Madison, Wisconsin

PRINTS ISSUED  
07.26.2013 - Schematic Design  
08.23.2013 - Design Development  
09.23.2013 - 65% CD's  
10.07.2013 - Pricing Set  
10.21.2013 - 95% CD's  
11.13.2013 - Bid Documents

WDM No. 13046  
drawn: DS  
checked: SR  
CONCESSIONS SECTIONS

**A1.6**