

DANE COUNTY DEPARTMENT of PUBLIC WORKS, HIGHWAY and TRANSPORTATION

County Executive
Kathleen M. Falk

1919 Alliant Energy Center Way ♦ Madison, Wisconsin 53713
Phone: (608) 266-4018 ♦ Fax: (608) 267-1533

Commissioner / Director
Gerald J. Mandli

October 14, 2009

ATTENTION ALL REQUEST FOR BID (RFB) HOLDERS

RFB NO. 309025 - ADDENDUM NO. 4

GAS COMPRESSOR BUILDING

BIDS DUE: THURSDAY, OCTOBER 15, 2009, 2:00 PM. DUE DATE AND TIME ARE NOT CHANGED BY THIS ADDENDUM.

This Addendum is issued to modify, explain or clarify the original Request for Bid (RFB) and Addenda 1-3, and is hereby made a part of the RFB. **Acknowledge all addenda on your Bid Form.**

PLEASE MAKE THE FOLLOWING CHANGES:

1. Gas Skid Moved

If installed as shown on previous Drawings, the location of gas skid equipment pipe #1 would interfere with the roll-up door on the North face of the building. Therefore, the location of the gas skid and all associated piping has been moved 1' to the West. This is shown on the attached Drawing 8.

2. Equipment Piping

There are three (3) 1" vents from the equipment up to the roof. The locations of these vents are indicated on the attached Drawing 9. At these locations, Contractor must caulk around the pipes to provide a weather tight seal.

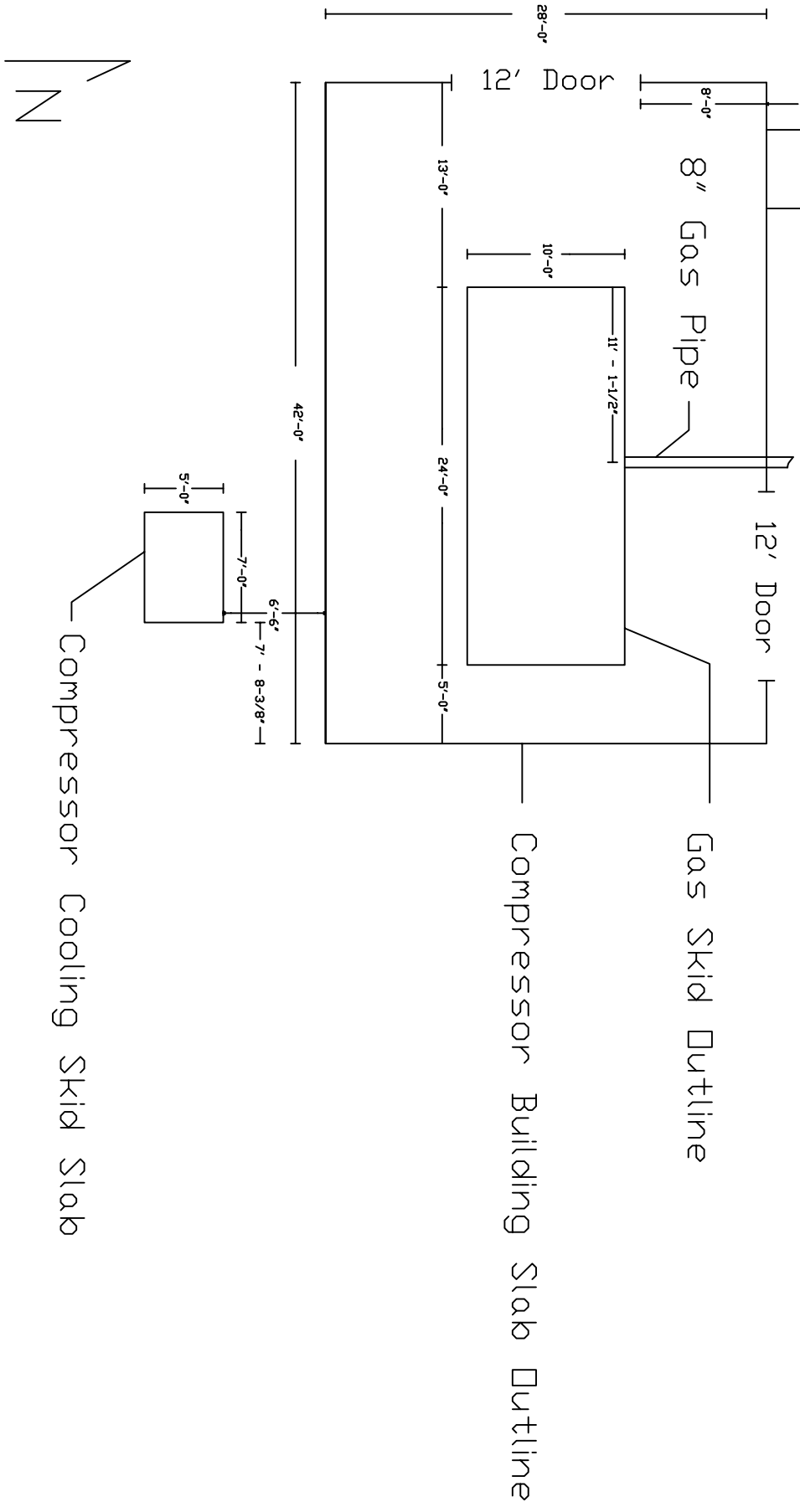
3. Soffit

Soffit is not needed on this building. Contractor must still provide trim and a weather tight situation where the wall panels meet the roofline.

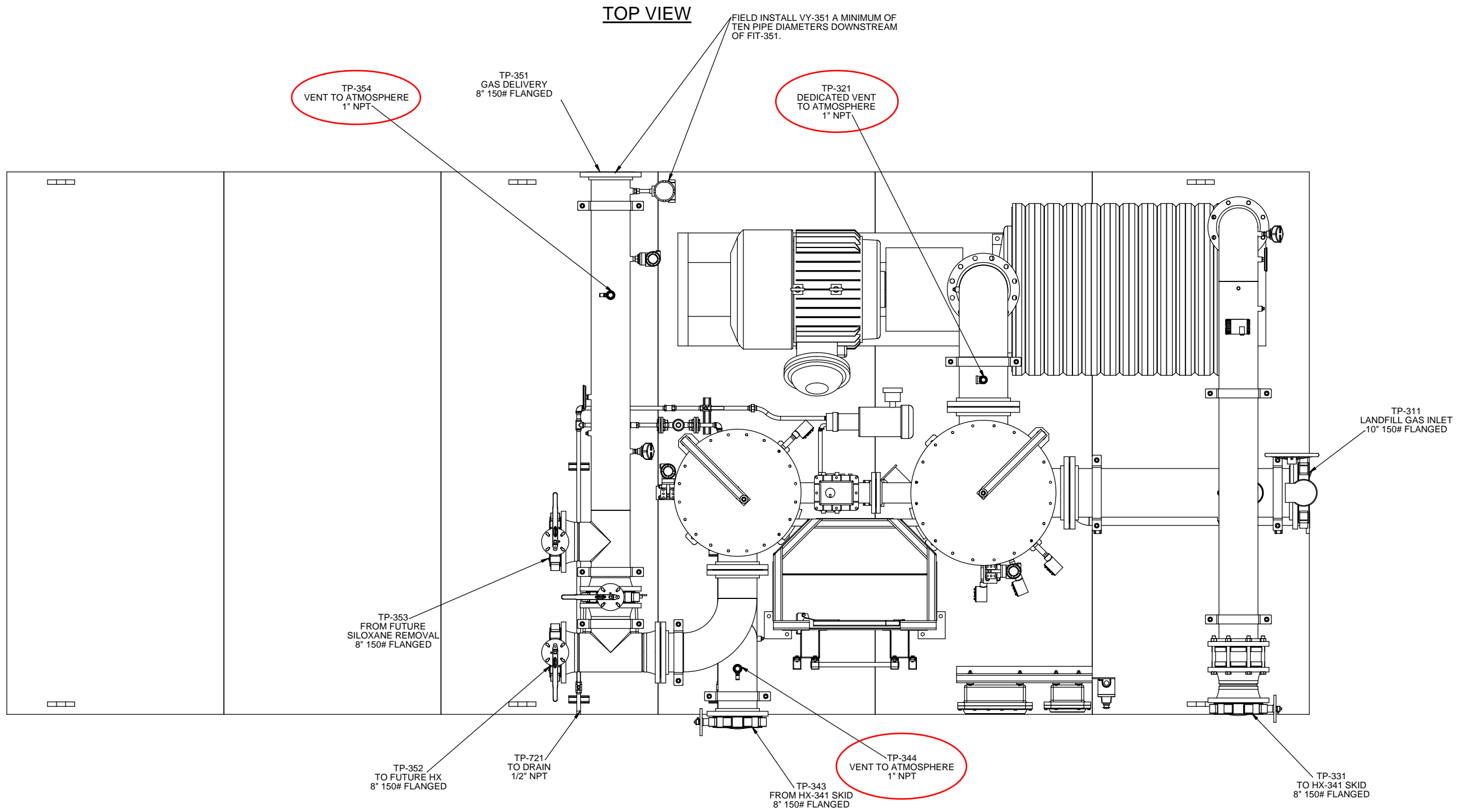
If any additional information about this Addendum is needed, please call John Welch at 608/267-8815, welch@co.dane.wi.us.

Enclosures: Drawing 8 – Gas Skid Location (Revised 10/14/2009)
Drawing 9 – Equipment Vent Locations


Fiber Reinforced
Concrete Apron
3 lbs per cubic yard



| REVISIONS | | | | |
|-------------|---------|----------|------|-----------------------|
| REV. SYMBOL | REV. BY | APPR. BY | DATE | DESCRIPTION OF CHANGE |
| | | | | |



APPROVED FOR CONSTRUCTION
 DATE: _____
 ENGINEER: *[Signature]*

| | | | |
|---|--|----------|-----------|
|  | Unison Solutions Inc. 5451 Chavenelle Road Dubuque, IA 52002 PHONE: 563-585-0967 FAX: 563-585-0970 | | |
| | PROPRIETARY AND CONFIDENTIAL DESIGN AND CONTENT OF THIS DRAWING REMAINS THE PROPERTY OF UNISON SOLUTIONS INC. THIS DRAWING MAY NOT BE DISTRIBUTED TO A THIRD PARTY WITHOUT THE CONSENT OF UNISON SOLUTIONS INC. | | |
| PROJECT | 081 - DANE COUNTY | | |
| DESCRIPTION | PIPING INTERCONNECTION - BLOWER | | |
| DRAWN BY | MLM | DATE | 9/22/2009 |
| REVISION | - | DWG. NO. | 7P-081-01 |