



**DANE COUNTY DEPT. OF
PUBLIC WORKS, HIGHWAY &
TRANSPORTATION**

1919 Alliant Energy Center Way
Madison, Wisconsin 53713
Office: 608/266-4018 ♦ Fax: 608/267-1533
Public Works Engineering Division
Public Works Solid Waste Division

ADDENDUM

May 17, 2018

ATTENTION ALL REQUEST FOR BID (RFB) HOLDERS

RFB NO. 317042 - ADDENDUM NO. 1

ROOF REPLACEMENT

BIDS DUE: TUESDAY, JUNE 5, 2018, 2:00 PM. DUE DATE AND
TIME ARE NOT CHANGED BY THIS ADDENDUM.

This Addendum is issued to modify, explain or clarify the original Request for Bid (RFB) and is hereby made a part of the RFB. Please attach this Addendum to the RFB.

PLEASE MAKE THE FOLLOWING CHANGES:

ADD

DIVISION 01 – GENERAL REQUIREMENTS

The penthouse roof on the west end of the building for the freight elevator will no longer be included in the contract for this project (area marked and designated on drawing sheet 1, issued with this addendum).

CHANGE

1. Instructions To Bidders

Page ITB – 8 : 19.A.

Change “Not Applicable.” to “County will be responsible for electrical disconnection and reconnection of wiring and boxes. Work will be coordinated with the contractor during roof and parapet installation. All conduits for live wire power will be reattached by owner. Existing or abandoned data or electric conduit shall be demolished and disposed of by contractor.”

2. DRAWINGS

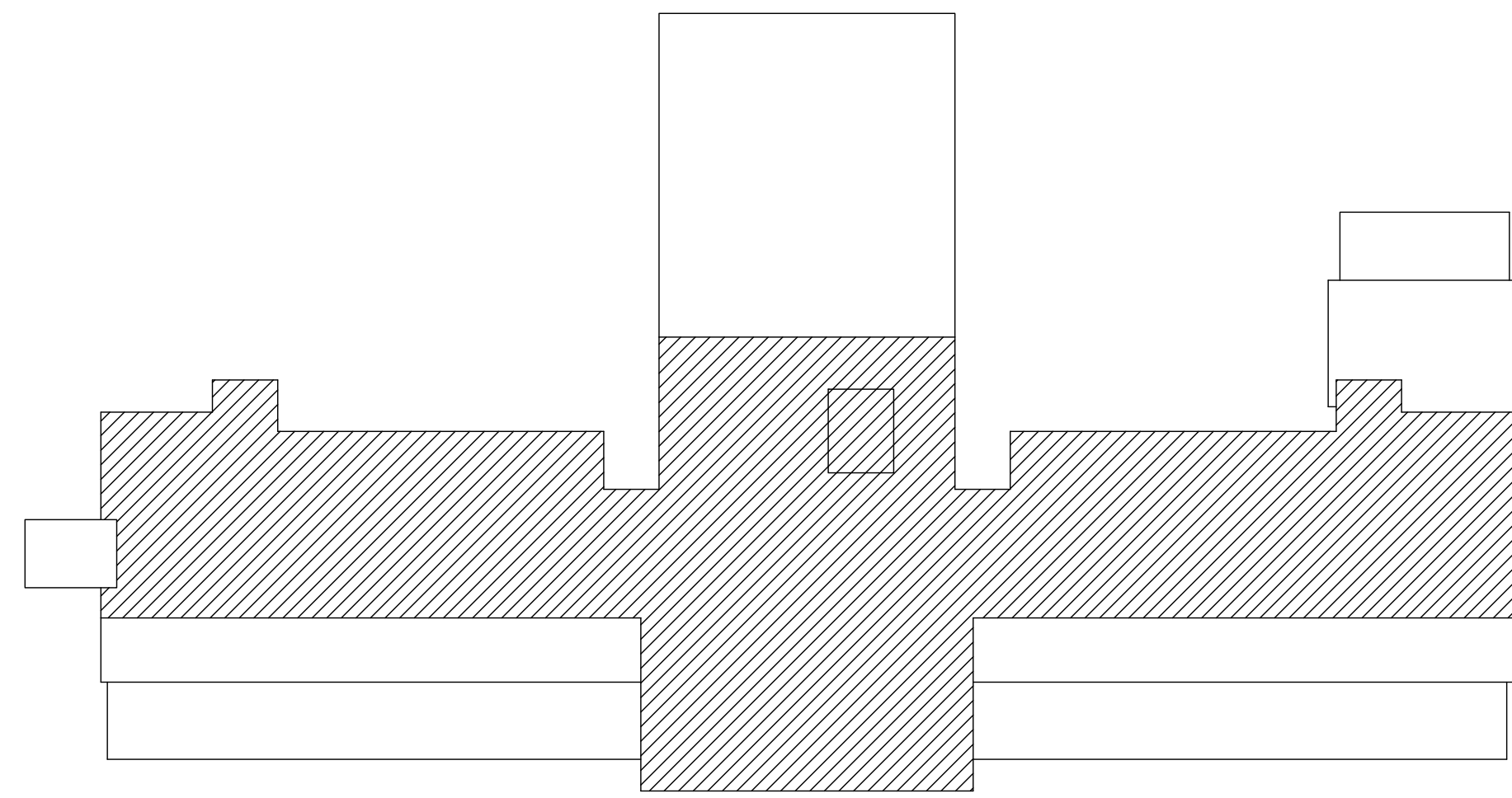
Delete current Sheet 1 & 3; replace with new Sheet 1 & 3, issued with this Addendum.

If any additional information about this Addendum is needed, please call Eric Urtes at 608/266-4798, urtes.eric@countyofdane.com.

Sincerely,
Eric Urtes AIA
Project Manager

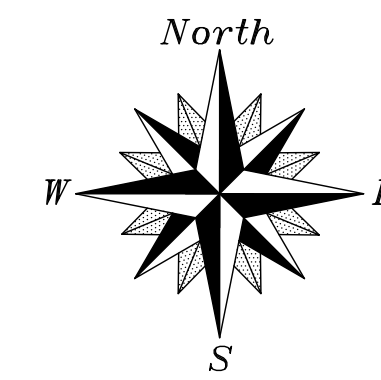
Enclosures:
Roof Plan Dane County Human Services Dept. - Sheet 1 & 3

H:\Shared\ENGINEERING DIVISION\Eric Urtes\317042 - NPO Roof Replacement Construction\03 - Addendum\317042 Addendum 1.docx



ROOF REPLACEMENT AREA

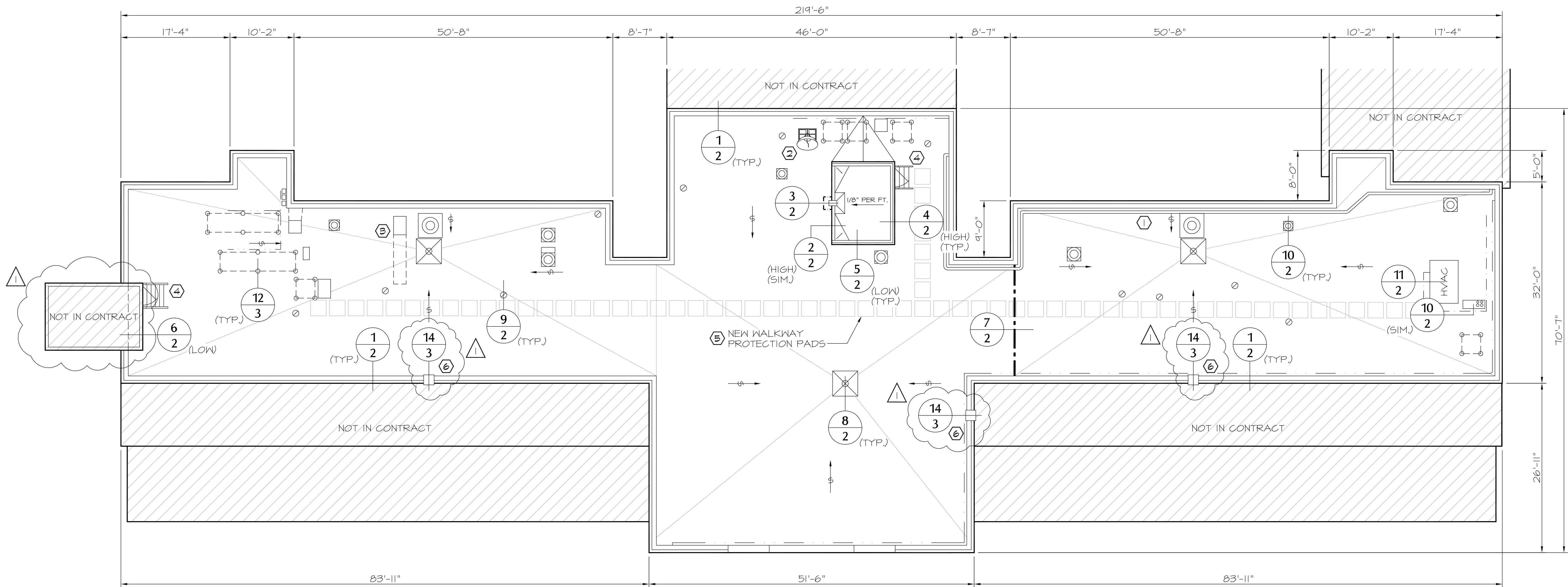
KEY PLAN
SCALE: NONE



LEGEND:

	ROOF DRAIN W/ SUMP
	SCUPPER W/ SUMP
	HVAC UNIT
	PLUMBING VENT
	VENTILATOR/BLOWER
	PIPE SUPPORT
	CONTROL JOINT
	GAS LINE
	CONDUIT LINE
	HEAVY CONDUIT
	TAPERED INSULATION SLOPE
	STRUCTURAL SLOPE
	DESIGN NOTE

- GENERAL NOTES:**
- CONTRACTOR IS RESPONSIBLE FOR THE VERIFICATION OF ALL DIMENSIONS AND EXISTING DETAILS AND CONDITIONS PRIOR TO SUBMITTING BID AND STARTING WORK.
 - DETAILS SHOWN REPRESENT EXISTING CONDITIONS TO THE EXTENT KNOWN, WITH THE NEW MATERIALS AND/OR PROCEDURES CALLED OUT.
 - CONTINUOUS EPDM SHEETS, WHEREVER SPECIFIED, SHALL BE BONDED AT ALL LAPS.
 - INSULATION SHALL BE TAPERED TO DRAIN OPENINGS, ON ALL SIDES FROM ITS CLAMPING RING.
 - CONTRACTOR SHALL COORDINATE ALL GAS AND ELECTRICAL LINE DISCONNECT AND RECONNECT, PROVIDE NEW LINE SUPPORTS AS REQUIRED W/ MODIFIED SLIP SHEETS AND SHALL VERIFY THAT ALL LINE JOINTS ARE SOUND AT THE END OF CONSTRUCTION.
 - ALL MISSING OR DAMAGED ROOF DRAIN ASSEMBLY COMPONENTS ARE TO BE REPLACED WITH NEW.
- DESIGN NOTES:**
- CONTRACTOR SHALL REMOVE HEAVY CONDUIT FROM NORTH WALL.
 - EXISTING SATELLITE DISH SKID SHALL BE PLACED ON NEW EPDM SLIP SHEET.
 - SUPPORTS FOR EXISTING ELEVATED EQUIPMENT UNITS SHALL BE PLACED ON NEW EPDM SLIP SHEETS.
 - PENTHOUSE STAIR SUPPORTS SHALL BE PLACED ON NEW EPDM SLIP SHEETS.
 - CONTRACTOR TO ADD NEW WALKWAY PROTECTION PADS AS SHOWN ON THE ROOF PLAN.
 - CONTRACTOR TO ADD (3) NEW OVERFLOW SCUPPERS AT LOCATIONS SHOWN ON ROOF PLAN.
 - EXISTING ROOF SYSTEM: FOURTH FLOOR ROOF - FULLY ADHERED 60 mil EPDM ROOF MEMBRANE, 1" WOOD FIBERBOARD INSULATION, 3" POLYISOCYANURATE INSULATION, LIGHTWEIGHT CINDER CONCRETE FILL, CONCRETE DECK.
PENTHOUSE ROOFS - FULLY ADHERED 60 mil EPDM ROOF MEMBRANE, 1" WOOD FIBERBOARD INSULATION, 3" POLYISOCYANURATE INSULATION, CONCRETE DECK.



ROOF PLAN
SCALE: 1/8"=1'-0"

Revisions
REV 1 05-16-18
Addendum 1

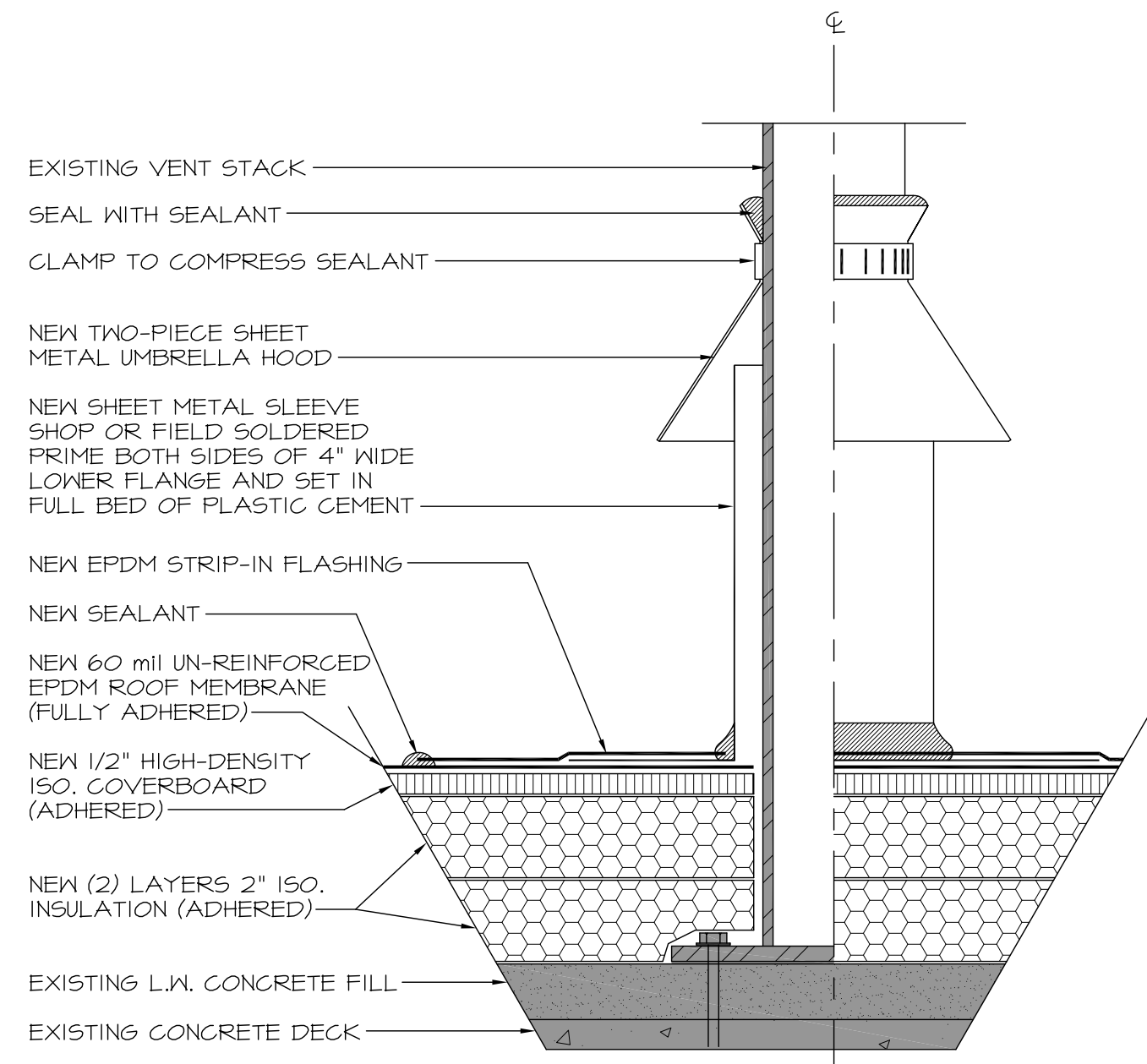
Approved By: TRC
Drawn By: JMD
Design By: SRI

Scale: AS NOTED
Date: 04-09-18
Bid No: 317042

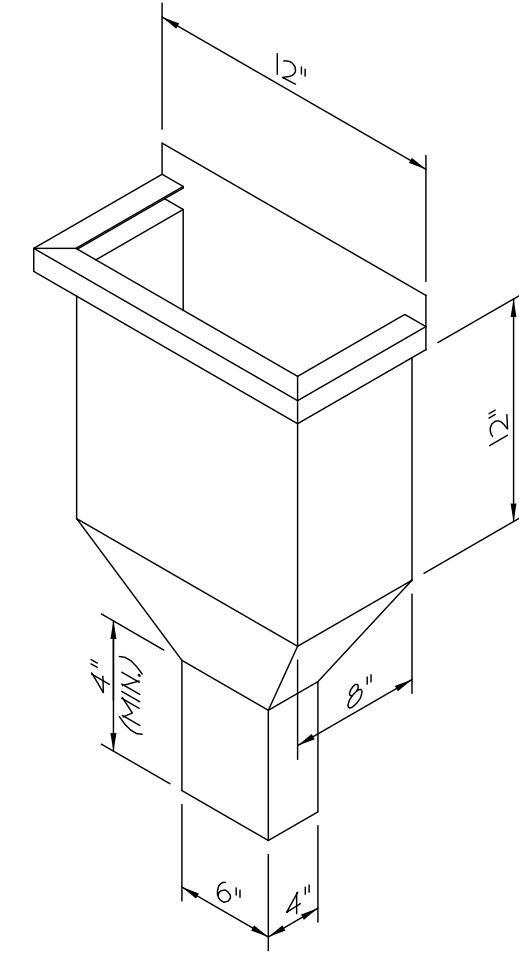
DEPARTMENT OF PUBLIC WORKS
DANE COUNTY WISCONSIN

DANE COUNTY HUMAN SERVICES DEPT.
1202 NORTHPORT DRIVE
MADISON, WISCONSIN 53713
2018 ROOF REHABILITATION

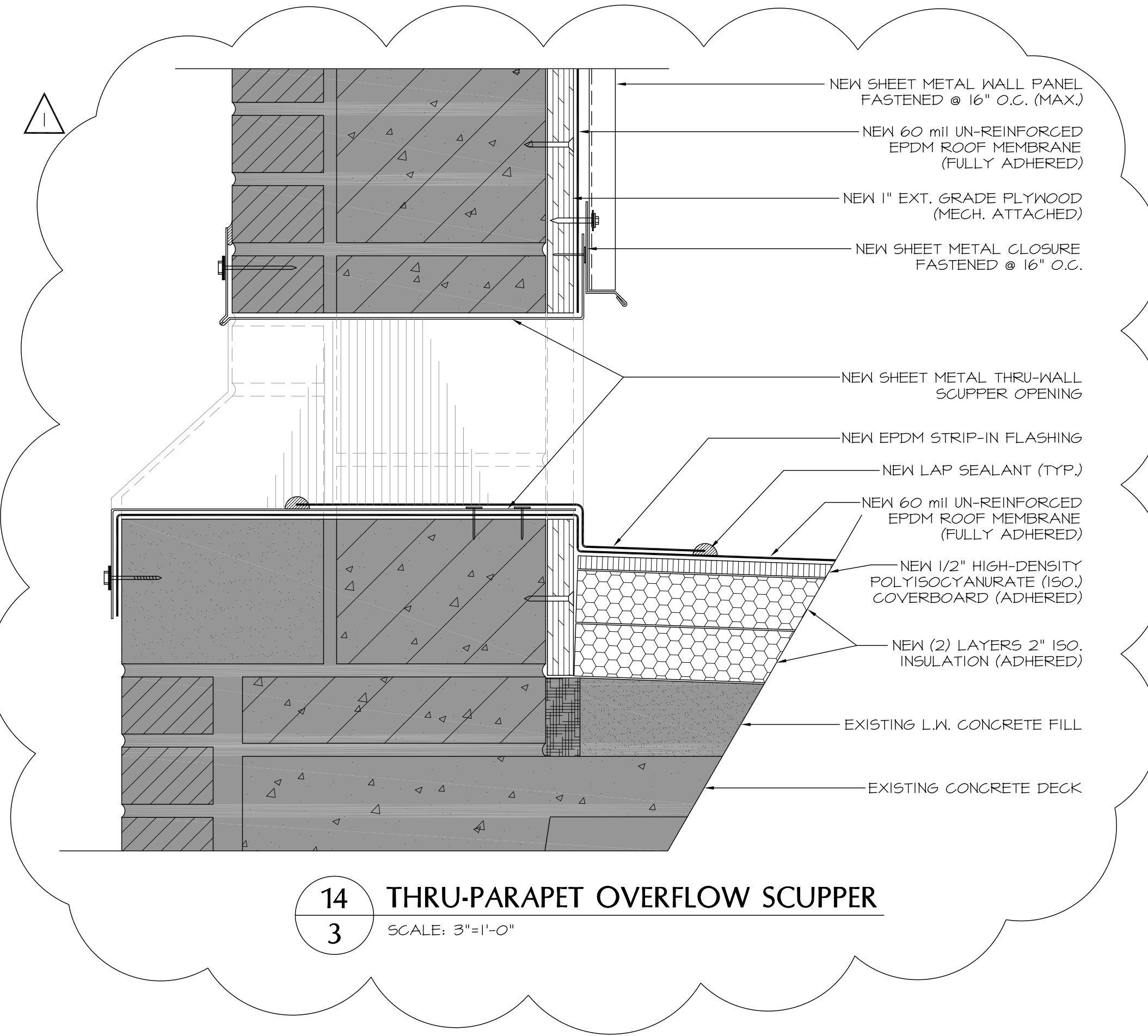
15832-00NORTHPORT.DWG



12 PIPE PENETRATION DETAIL
 3 SCALE: 3"=1'-0"



13 SHEET METAL CONDUCTOR HEAD CONFIGURATION
 3 SCALE: NONE



14 THRU-PARAPET OVERFLOW SCUPPER
 3 SCALE: 3"=1'-0"

Revisions
 REV 1 05-16-18
 Addendum 1
 Approved By: TRC
 Drawn By: JMD
 Design By: SRI
 Date: 04-09-18
 Scale: AS NOTED
 Bk No: 317042

DEPARTMENT OF PUBLIC WORKS
 DANE COUNTY WISCONSIN

DANE COUNTY HUMAN SERVICES DEPT.
 1202 NORTHPORT DRIVE
 MADISON, WISCONSIN 53713
 2018 ROOF REHABILITATION

Sheet 3
 of 3