

DANE COUNTY DEPARTMENT of PUBLIC WORKS, HIGHWAY and TRANSPORTATION

County Executive
Kathleen M. Falk

1919 Alliant Energy Center Way ♦ Madison, Wisconsin 53713
Phone: (608) 266-4018 ♦ Fax: (608) 267-1533

Commissioner / Director
Gerald J. Mandli

October 12, 2009

ATTENTION ALL REQUEST FOR BID (RFB) HOLDERS

RFB NO. 309025 - ADDENDUM NO. 2

GAS COMPRESSOR BUILDING

BIDS DUE: THURSDAY, OCTOBER 15, 2009, 2:00 PM. DUE DATE AND TIME ARE NOT CHANGED BY THIS ADDENDUM.

This Addendum is issued to modify, explain or clarify the original Request for Bid (RFB) and Addendum 1, and is hereby made a part of the RFB. **Acknowledge all addenda on your Bid Form.**

PLEASE MAKE THE FOLLOWING CHANGES:

1. Anchors

As described in Specification Section 13121 – Paragraph 3.2.C, Contractor is responsible for anchoring the building to the existing slab. There are no anchors in place in the existing slab.

2. Equipment Piping

Equipment piping will be in place before this Work, as shown on the attached Drawing. Pipes 1, 2, 3, and 4 will extend beyond the outer walls of the new building.

Contractor must coordinate Work around piping and equipment. As described in Specification Section 13121 – Paragraph 1.3.B, coordinate bay spacing and supports with locations of piping.

Addendum 1 stated that the building must be designed to support four pipes from the roof support members until the pipes are beyond the building walls. This has been changed to require support for only three pipes. As labeled on the attached Drawing, pipes 1, 3, and 4 will require support for 9' until they reach the outer walls of the building. Pipe 2 (as labeled on the attached Drawing) will not require support from the building structure.

Where pipes 1, 2, 3, and 4 will penetrate building walls, Contractor must provide explosion proof gaskets. There are no other requirements for making this building explosion proof.

3. Concrete

The concrete mix for the existing slab was 4,000 psi (6 bag mix) with a high early strength admixture.

4. Framing Not Required to be Galvanized

The primary and secondary framing members are to be primed, but are not required to be galvanized. In Specification Section 13121 – Paragraph 2.8.A, remove “Galvanize to ASTM A123/A123M.”

5. Building Height

As described in Addendum 1, the building must have an interior clear height of at least 16’ at all locations directly above the gas compression skid. Adjust building, eave, and roof heights accordingly.

6. Weather Tightness

Ignore information related to weather tightness given in Addendum 1 and Specification Section 13121 – Paragraph 1.11. This building will not be standing seam, so a 10-year weather tightness warranty is not required. Building must still be weather tight.

7. Building Color

The wall panels of the building will have a Kynar or baked on enamel finish, color to be chosen by Owner. The roof panels will have uncolored Galvalume finish. Owner will attempt to closely match existing metal buildings on the site.

8. Design for Building Loading

Section 13121 – Paragraph 1.4.B, delete “20 PSF dead load.”. Building must be designed to withstand the dead loads of the building and pipes 1, 3, and 4, as well as all other loads (snow, wind, etc), as required by Wisconsin Building Code.

9. Wage Rates Not Applicable

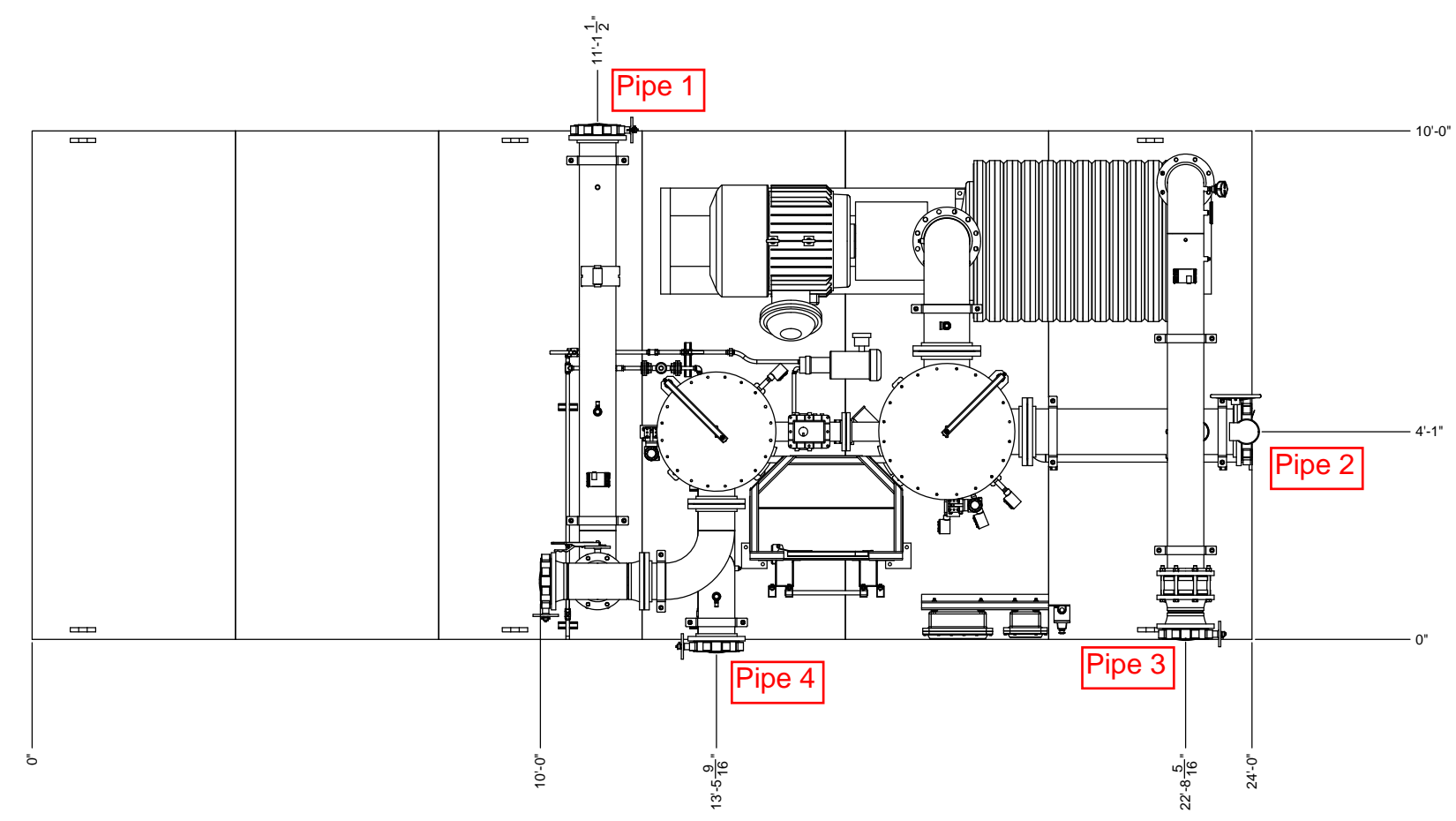
In compliance with Dane County Ordinances, wage rates are not required on this project.

If any additional information about this Addendum is needed, please call John Welch at 608/267-8815, welch@co.dane.wi.us.

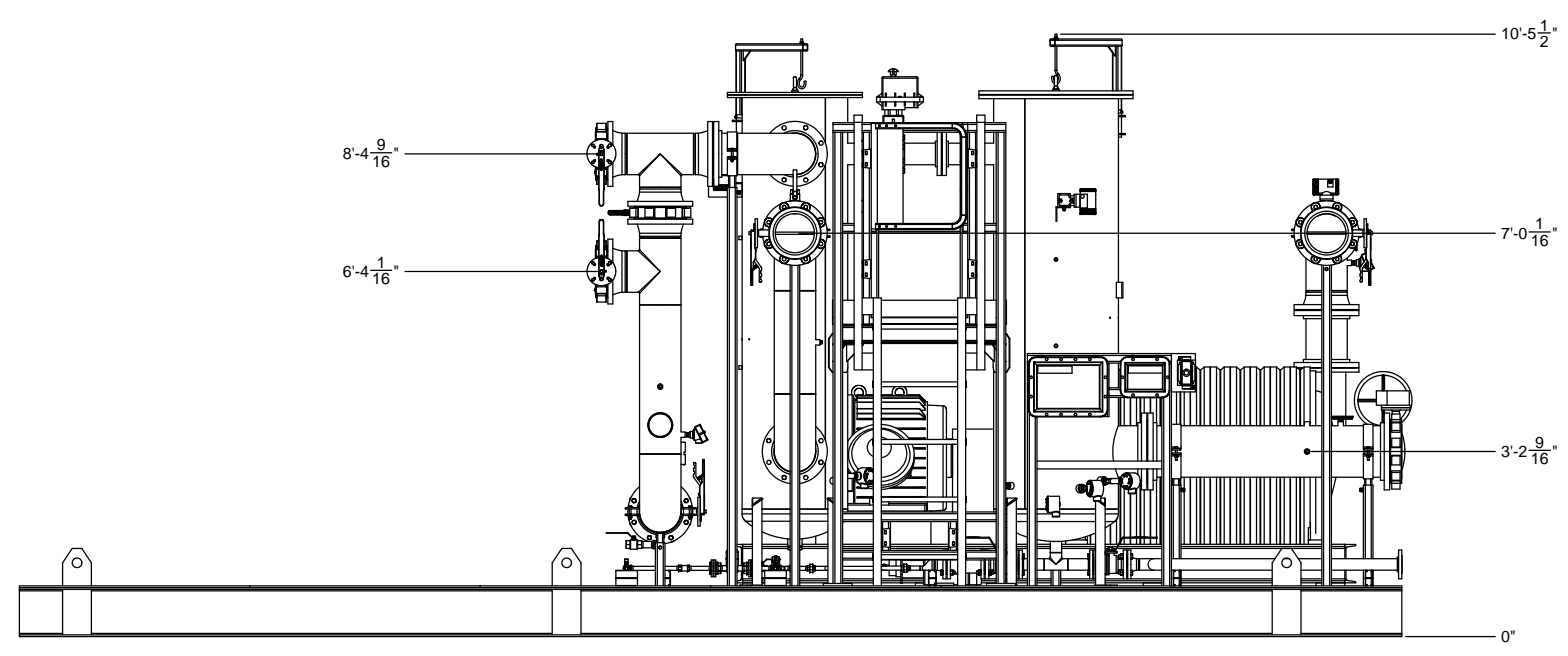
Enclosures: Drawing 6 – Gas Compression Equipment & Pipe Locations

REVISIONS				
REV. SYMBOL	REV. BY	APPR. BY	DATE	DESCRIPTION OF CHANGE

PLAN VIEW



ELEVATION VIEW



APPROXIMATE WEIGHT OF SKID - 20,500 LBS.



Unison Solutions Inc.
5451 Chavenelle Road
Dubuque, IA 52002
PHONE: 563-585-0967 FAX: 563-585-0970

PROPRIETARY AND CONFIDENTIAL DESIGN AND CONTENT OF THIS DRAWING REMAINS THE PROPERTY OF UNISON SOLUTIONS INC. THIS DRAWING MAY NOT BE DISTRIBUTED TO A THIRD PARTY WITHOUT THE CONSENT OF UNISON SOLUTIONS INC.			
PROJECT	081 - DANE CO.		
DESCRIPTION	BLOWER SKID - PRE FAB LAYOUT		
DRAWN BY	MLM	DATE	7/28/2009
REVISION	-	DWG. NO.	6L-081-13