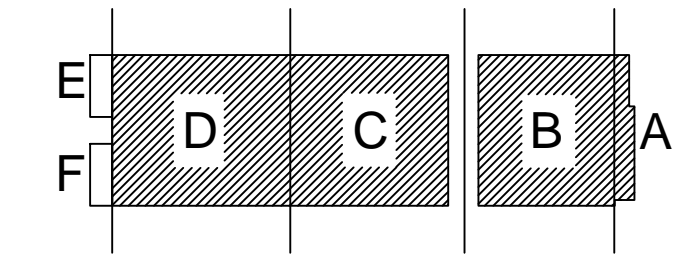


**ROOF REFERENCE PLAN**  
SCALE: 1/32" = 1'-0"

GENERAL NOTES	ROOF PLAN - SPECIFIC NOTES
1. ALL DIMENSIONS ARE GIVEN TO FACE OF WALL OR CENTERLINES. SEE WALL SECTIONS AND PARTITION TYPE SECTIONS FOR CONSTRUCTION.	1 THROUGH WALL ROOF OPENING
2. HOLD DOOR FRAMES 4" FROM ADJACENT WALLS. U.N.O.	2 MECHANICAL EQUIPMENT WITH INSULATED CURB
3. GENERAL CONTRACTOR TO PROVIDE BLOCKING FOR ALL WALL MOUNTED ITEMS INCLUDING OWNER FURNISHED ITEMS. COORDINATE WITH OWNER. VERIFY WITH OWNER THE EXACT HEIGHT AND LOCATION OF ALL WALL-MOUNTED AND CEILING MOUNTED EQUIPMENT.	3 MEP ROOF PENETRATION
4. REFER TO LOOSE LINTEL SCHEDULE ON SHEET S201 FOR LINTEL REQUIREMENTS AT HVAC OPENINGS IN MASONRY WALLS.	4 GAS FIRED EQUIPMENT VENT - SEE MECHANICAL DRAWINGS
5. ALL WOOD FRAMING AND/OR BLOCKING USED IN EXTERIOR WALL SYSTEMS TO BE PRESSURE TREATED "TR" TYPE.	5 ROOF DRAIN WITH 24" X 24" SLUMP
6. FLOOR SLAB IN MILKING PARLOR TO ACCOMMODATE EQUIPOTENTIAL GROUNDING (SEE STRUCTURAL AND ELECTRICAL DRAWINGS FOR DETAILS)	6 OVERFLOW ROOF DRAIN
7. REFER TO STRUCTURAL PLANS, S201B, S201C & S201D FOR INTERIOR CONCRETE SLAB JOINT LAYOUT	7 PLUMBING VENT - SEE PLUMBING DRAWINGS
8. OWNER PROVIDED CONCESSION AND MILK HOUSE/ PARLOR EQUIPMENT SHOWN FOR ROUGH IN LOCATIONS. COORDINATE FINAL EQUIPMENT SELECTION / SPECIFICATIONS PRIOR TO WORK.	8 INTEGRAL PEMB SKYLIGHT
9. EXTERIOR ENVELOPE @ MILK HOUSE/ PARLOR/ MECHANICAL ROOMS, 140-142 AND CONCESSION ROOM 143, PROVIDE CODE MINIMUM R-VALUES, SEE 1/A507, 1/A509 FOR DETAILS.	9 NOT USED
10. OFD RUBBER FLOORMATS FOR MILK PARLOR	10 NOT USED
11. PROVIDE 18 GA. SHEET METAL STRAPPING BY 8" WIDE AT ALL WALL MOUNTED ITEMS LOCATED ON GWS OVER METAL STUDS. FROMS 129,129A,130,132,132A,133,149,149A AND 150. THE UPPER PORTION OF ALL PARTITIONS IS TO BE PROVIDED AS PRE-ENGINEERED METAL BUILDING CONSTRUCTION PER SECTION 1/A507	11 PRE-FINISHED SHEET METAL GUTTER
12. ALTERNATE #1: ALL ABOVE SLAB WORK INCLUDING BUT NOT LIMITED TO: PLUMBING FIXTURES, CMU WALL ASSEMBLIES, LIGHT GAGE METAL CEILING ASSEMBLIES, INTERIOR FINISHES, SPECIALTIES, MECHANICAL AND ELECTRICAL EQUIPMENT TO BE CONSIDERED PART OF ADD ALTERNATE #1. UNDER SLAB WORK INCLUDING FOUNDATION AND PLUMBING ROUGH WORK TO THE PERIMETER OF TOILET ROOM 134-136, TO BE INSTALLED AS PART OF BASE BUILDING CONSTRUCTION WITH FUTURE PLUMBING SANITARY WORK TYING INTO EXISTING BRANCH PIPING VIA SLAB REWORK BE PART OF ADD ALTERNATE #1.	12 PRE-FINISHED SHEET METAL DOWNSPOUT
	13 WALK WAY PADS
	14 48" X 48" ROOF ACCESS HATCH
	15 OVERFLOW SCUPPER

DRAWING SET	CD
COPYRIGHT	2013
FILE NAME	2013027_02-A203.DWG
REVISIONS	
DRAWN	JB
CHECKED	RG
DATE	10-29-13
PROJECT NO.	2013027_02
PROJECT TITLE	ALLIANT ENERGY CENTER PAVILIONS BID # 313072

1919 ALLIANT ENERGY CENTER WAY  
MADISON, WISCONSIN 53713



SHEET TITLE  
**ROOF REFERENCE PLAN**



SHEET NO.  
**A203**

CARLOS RUIZ 2009-03-30 2:27 PM PL\_A\_201302702 - ALLIANT ENERGY CENTER LIVESTOCK & EXHIBITION SPACE EXPANSION 2013027\_02 - A203.DWG

GENERAL NOTES	
1.	ALL DIMENSIONS ARE GIVEN TO FACE OF WALL OR CENTERLINES. SEE WALL SECTIONS AND PARTITION TYPE SECTIONS FOR CONSTRUCTION.
2.	HOLD DOOR FRAMES 4" FROM ADJACENT WALLS, U.N.O.
3.	GENERAL CONTRACTOR TO PROVIDE BECEWDING FOR ALL WALL MOUNTED ITEMS INCLUDING OWNER FURNISHED ITEMS. COORDINATE WITH OWNER. VERIFY WITH OWNER THE EXACT HEIGHT AND LOCATION OF ALL WALL-MOUNTED AND CEILING MOUNTED EQUIPMENT.
4.	REFER TO LOOSE LINTEL SCHEDULE ON SHEET S001 FOR LINTEL REQUIREMENTS AT HVAC OPENINGS IN MASONRY WALLS.
5.	ALL WOOD FRAMING AND/OR BLOCKING USED IN EXTERIOR WALL SYSTEMS TO BE PRESSURE TREATED "FR" TYPE.
6.	FLOOR SLAB IN MILKING PARLOR TO ACCOMMODATE EQUIPOTENTIAL GROUNDING (SEE STRUCTURAL AND ELECTRICAL DRAWINGS FOR DETAILS)
7.	REFER TO STRUCTURAL PLANS, S201B, S201C & S201D FOR INTERIOR CONCRETE SLAB JOINT LAYOUT
8.	OWNER PROVIDED CONCESSION AND MILK HOUSE/ PARLOR EQUIPMENT SHOWN FOR ROUGH IN LOCATIONS. COORDINATE FINAL EQUIPMENT SELECTION / SPECIFICATIONS PRIOR TO WORK.
9.	EXTERIOR ENVELOPE @ MILK HOUSE/ PARLOR/ MECHANICAL ROOMS, 140-142 AND CONCESSION ROOM 143, PROVIDE CODE MINIMUM R- VALUES, SEE 1/A507, 1/A508 FOR DETAILS.
10.	OPDI RUBBER FLOORMATS FOR MILK PARLOR
11.	PROVIDE 18 GA. SHEET METAL STRAPPING BY 6" WIDE AT ALL WALL MOUNTED ITEMS LOCATED ON OWB OVER METAL STUDS.
12.	ROOMS 123, 129A, 130, 131, 132, 133, 148, 149A AND 150, THE UPPER PORTION OF ALL PARTITIONS IS TO BE PROVIDED AS PRE-ENGINEERED METAL BUILDING CONSTRUCTION PER SECTION 1/A507
13.	ALTERNATE #1: ALL ABOVE SLAB WORK INCLUDING BUT NOT LIMITED TO: PLUMBING FIXTURES, CMU WALL ASSEMBLIES, LIGHT GAGE METAL CEILING ASSEMBLIES, INTERIOR FINISHES, SPECIALTIES, MECHANICAL AND ELECTRICAL EQUIPMENT TO BE CONSIDERED PART OF ADD ALTERNATE #1. UNDER SLAB WORK INCLUDING FOUNDATION AND PLUMBING ROUGH WORK TO THE PERIMETER OF TOILET ROOM 134-136, TO BE INSTALLED AS PART OF BASE BUILDING CONSTRUCTION WITH FUTURE PLUMBING SANITARY WORK TYING INTO EXISTING BRANCH PIPING VIA SLAB REMOVAL BE PART OF ADD ALTERNATE #1.

#	ROOF PLAN - SPECIFIC NOTES
1	THROUGH WALL ROOF OPENING
2	MECHANICAL EQUIPMENT WITH INSULATED CURB
3	MEP ROOF PENETRATION
4	GAS FIRED EQUIPMENT VENT - SEE MECHANICAL DRAWINGS
5	ROOF DRAIN WITH 24" X 24" SUMP
6	OVERFLOW ROOF DRAIN
7	PLUMBING VENT - SEE PLUMBING DRAWINGS
8	INTEGRAL PEMB SKYLIGHT
9	NOT USED
10	NOT USED
11	PRE-FINISHED SHEET METAL GUTTER
12	PRE-FINISHED SHEET METAL DOWNSPOUT
13	WALK WAY PADS
14	48" x 48" ROOF ACCESS HATCH
15	OVERFLOW SCUPPER

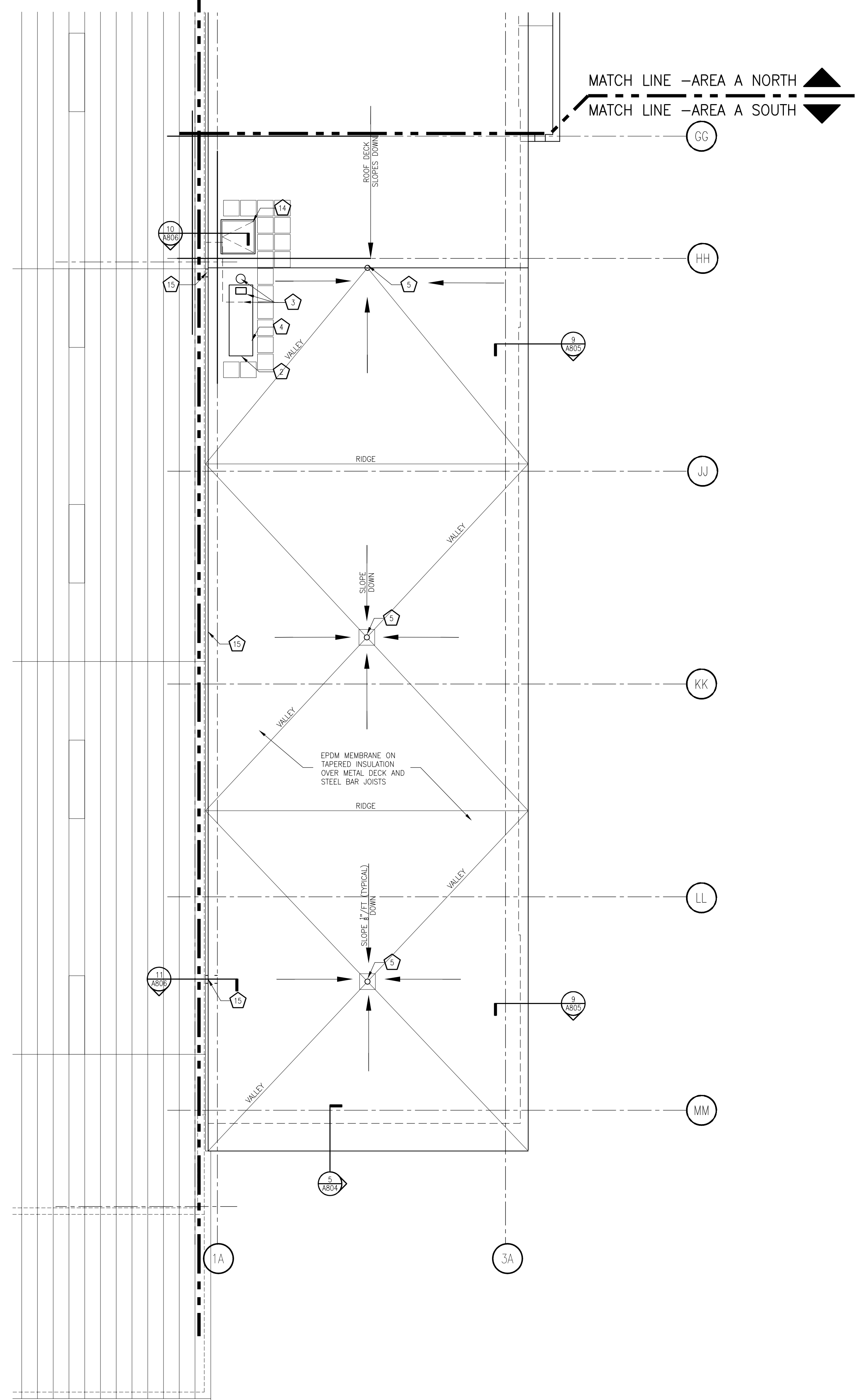
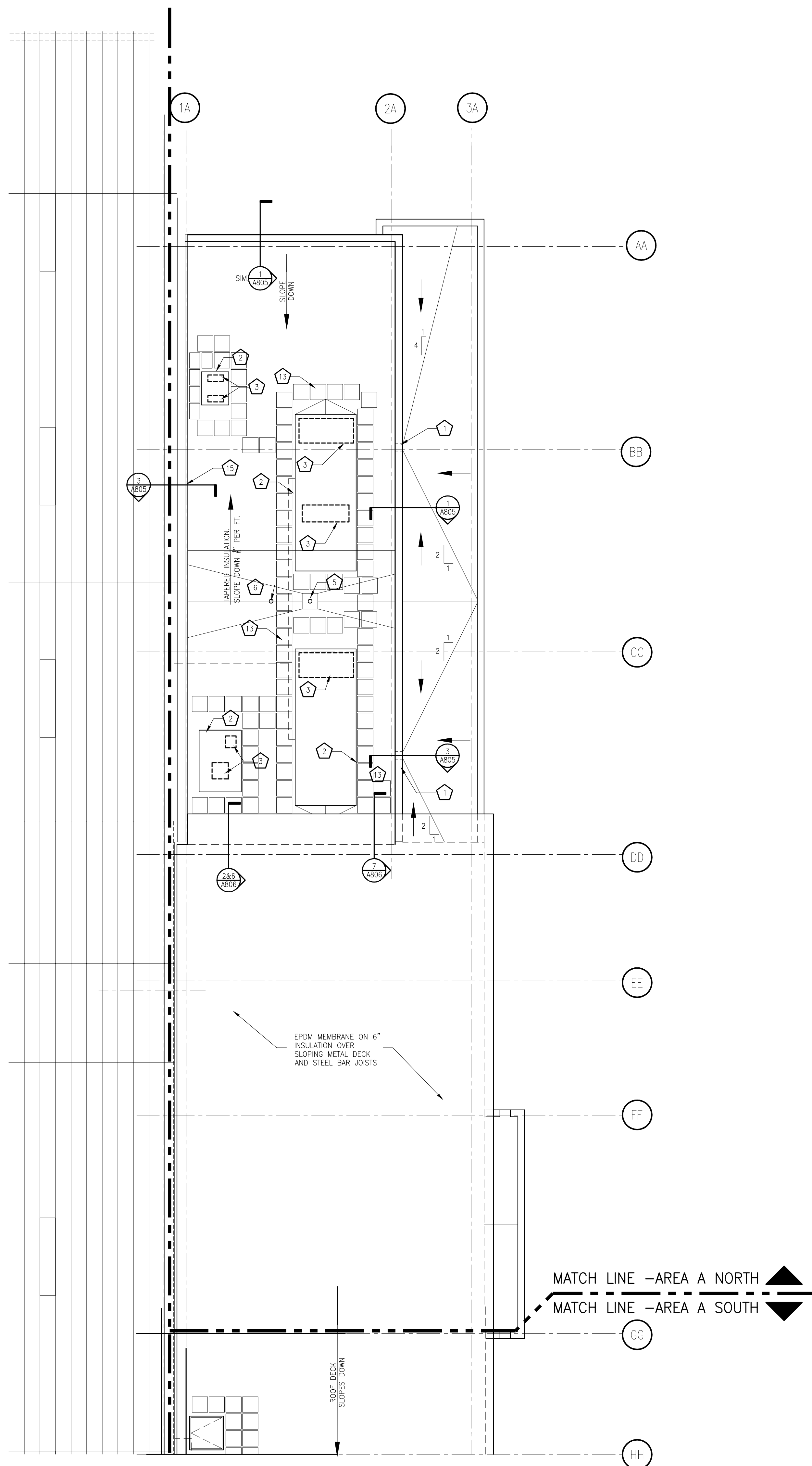
DRAWING SET	CD
COPYRIGHT	2013
FILE NAME	2013027_02-A203A.DWG
REVISIONS	
DRAWN	MJ
CHECKED	RG
DATE	10-29-13
PROJECT NO.	2013027_02
PROJECT TITLE	

**ALLIANT ENERGY CENTER PAVILIONS  
BID # 313072**

1919 ALLIANT ENERGY CENTER WAY  
MADISON, WISCONSIN 53713

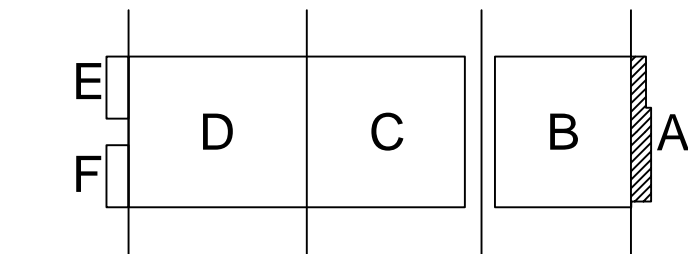
SHEET TITLE  
**ROOF PLAN  
AREA A**

SHEET NO.  
**A203A**



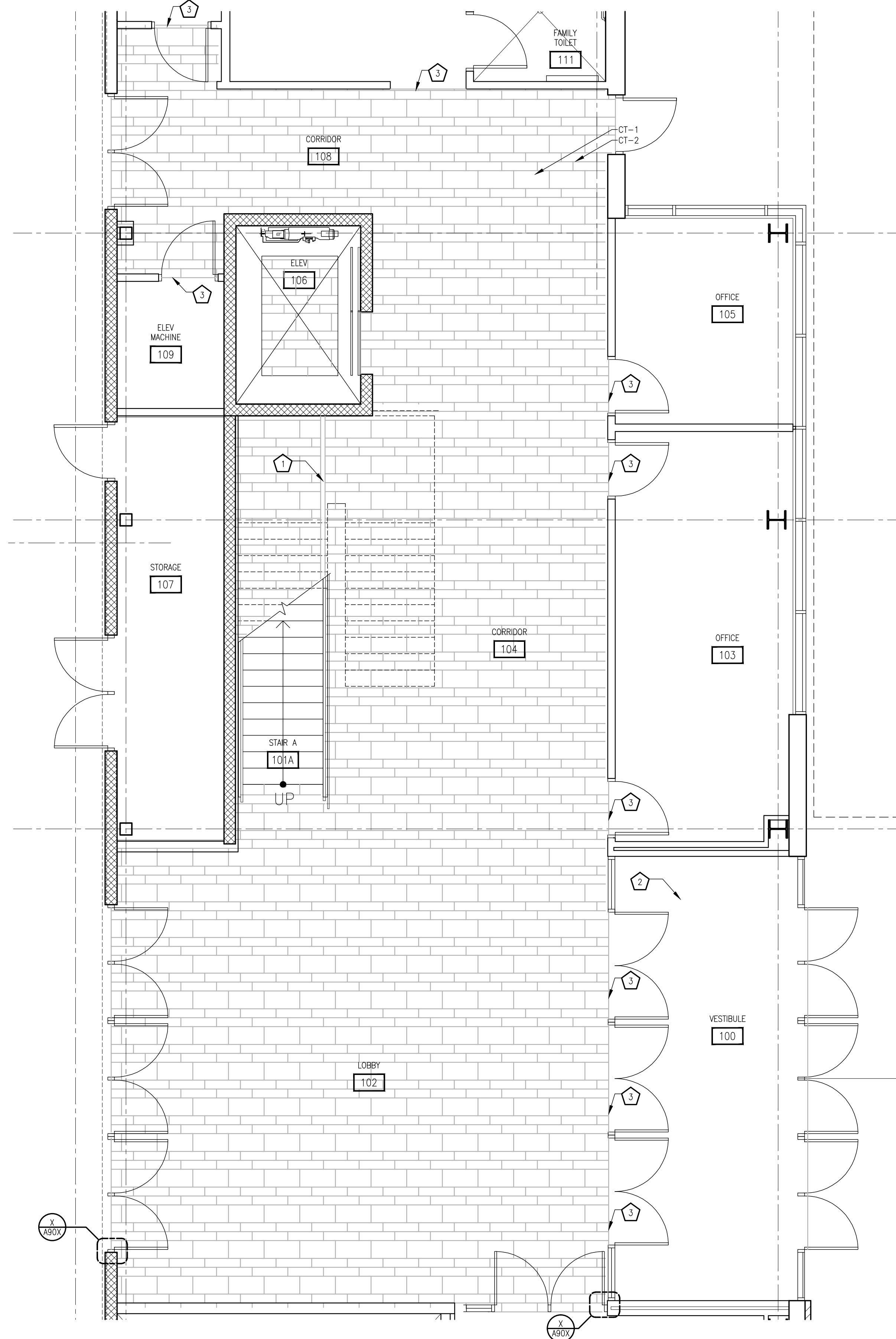
**ROOF PLAN - AREA A - NORTH**  
SCALE: 1/8" = 1'-0"

**ROOF PLAN - AREA A - SOUTH**  
SCALE: 1/8" = 1'-0"



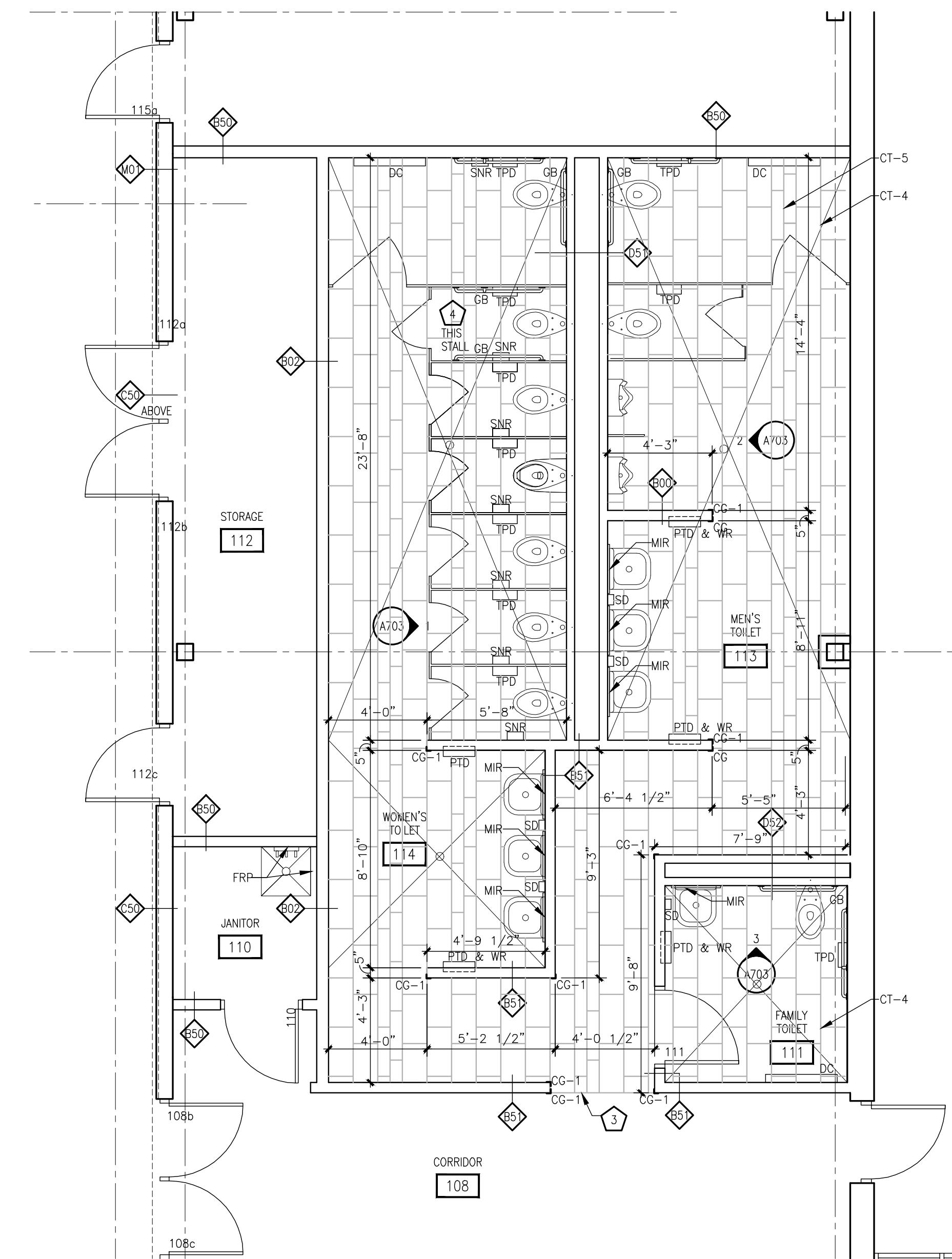
**KEY PLAN**

TC:JUN 2008:6-30 2:27 PM K:\2013027\_02-ALLIANT ENERGY CENTER LIVESTOCK & EXHIBITION HALLDRAWINGS\2013027\_02-A203A.DWG

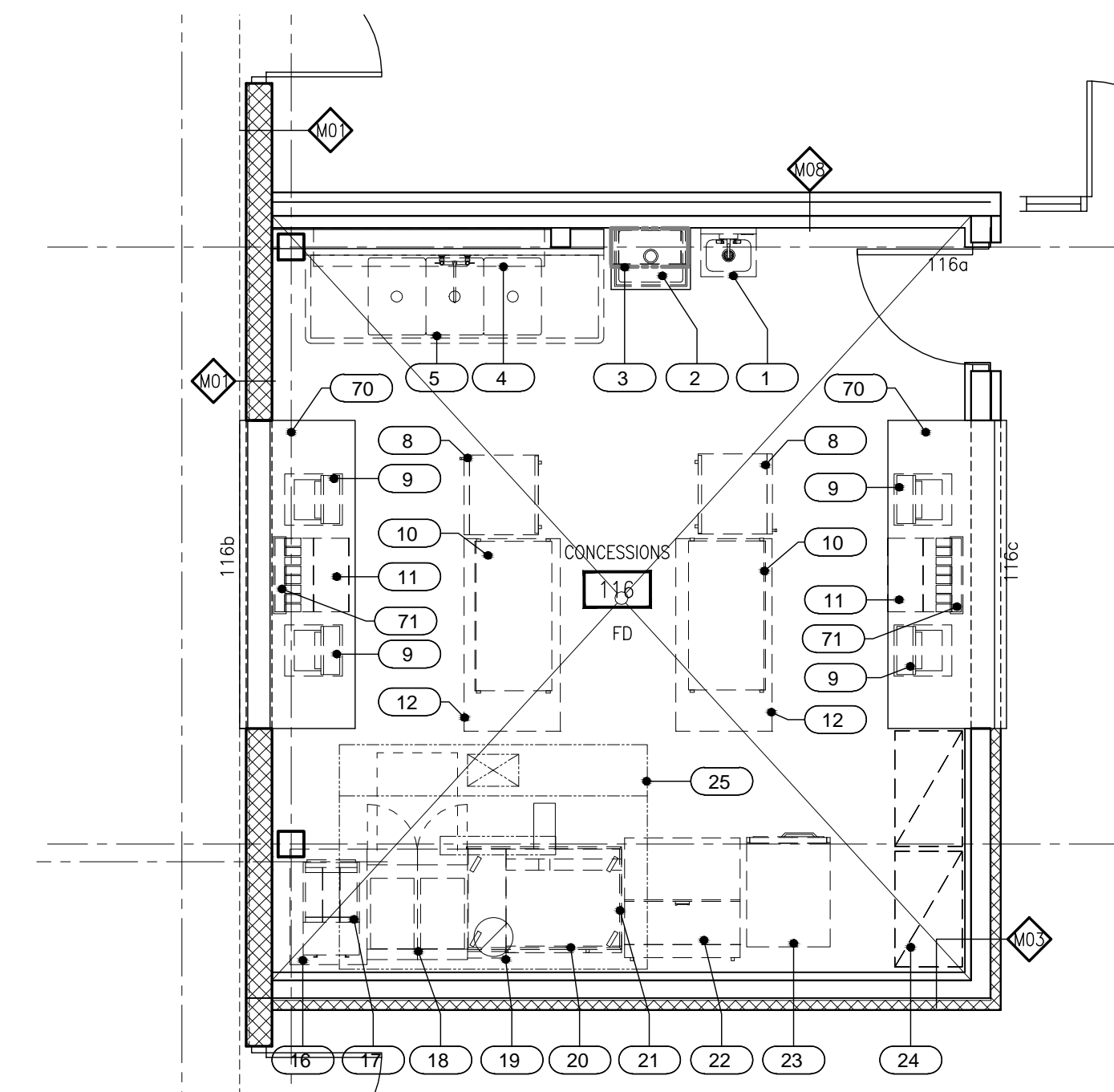


**ENLARGED FLOOR PLAN - LOBBY**  
SCALE: 1/4" = 1'-0"

#	PLAN NOTES
1	STEEL TUBE ALONG FLOOR AS ADA CANE STRIP.
2	ENTRANCE MAT (MAT-1); SEE ROOM FINISH SCHEDULE.
3	PROVIDE STAINLESS STEEL METAL EDGE STRIP.
4	PROVIDE SIDE WALL GRAB BARS ON BOTH SIDES OF TOILET STALL. PROVIDE SELF-CLOSING TOILET STALL DOOR. PROVIDE PULL HANDLE ON BOTH SIDES OF DOOR NEAR THE LATCH.



**ENLARGED FLOOR PLAN - TOILET ROOMS**  
SCALE: 1/4" = 1'-0"



**ENLARGED FLOOR PLAN - CONCESSIONS**  
SCALE: 1/4" = 1'-0"

ITEM	QTY	DESCRIPTION	NOTES
1	1	HANDSINK	1
2	1	MOP SINK & SERVICE FAUCET	1, 2
3	1	CHEMICAL SHELF	
4	1	WALL SHELF	
5	1	3 COMPARTMENT SINK W/FAUCET & LEVER WASTE	1
6	1	SPARE NUMBER	
7	1	SPARE NUMBER	
8	2	REACH-IN REFRIGERATOR	
9	4	POINT OF SALE REGISTER	
10	2	FOOD WARMERS	
11	2	SODA DISPENSER	
12	2	WORK TABLE	
13	1	SPARE NUMBER	
14	1	SPARE NUMBER	
15	1	SPARE NUMBER	
16	1	WORK TABLE	
17	1	FRENCH FRY WARMER	
18	1	DOUBLE FRYER BATTERY	
19	1	SPREADER	
20	1	CHEF BASE W/ FREEZER DRAWERS	
21	1	GAS GRIDDLE	1
22	1	REFRIGERATED MAKEUP TABLE	
23	1	REFRIGERATOR, REACH-IN	
24	2	WIRE SHELVING	
25	1	TYPE 1 HOOD	3, 4
26	1	SPARE NUMBER	
27	1	SPARE NUMBER	
28	1	SPARE NUMBER	
29	1	WIRE SHELVING	
30	4	POINT OF SALE REGISTER	
31	2	SODA DISPENSER	
32	2	WORK TABLE W/ UNDERSHELF	
33	2	FOOD WARMER	
34	2	REACH-IN REFRIGERATOR	
35	2	WORK TABLE	
36	2	DOUBLE TABLE MOUNTED OVERSHELF	
37	1	SPARE NUMBER	
38	1	SPARE NUMBER	
39	1	SPARE NUMBER	
40	2	HANDSINK	1
41	1	REFRIGERATOR, REACH-IN	
42	1	REFRIGERATED MAKEUP TABLE	
43	1	EQUIPMENT STAND WITH RACK SLIDES	
44	1	COMBI OVEN	
45	1	CHEF BASE W/ FREEZER DRAWERS	
46	1	GAS GRIDDLE	
47	1	SPREADER	1
48	1	DOUBLE FRYER BATTERY	
49	1	TYPE 1 HOOD	3, 4
50	1	WORK TABLE	
51	1	FRENCH FRY WARMER	
52	1	FREEZER, REACH-IN	
53	1	SPARE NUMBER	
54	1	SPARE NUMBER	
55	1	SPARE NUMBER	
56	1	3 COMPARTMENT SINK W/FAUCET & LEVER WASTE	1
57	1	WIRE SHELVING	
58	1	BAGN BOX (BY VENDOR)	
59	1	CHEMICAL SHELF	
60	1	MOP SINK & SERVICE FAUCET	1, 2
61	1	ICE MACHINE W/ FILTER	1
62	1	ICE BIN	
ITEMS ABOVE PROVIDED & INSTALLED BY FOOD SERVICE VENDOR			
ITEMS BELOW PROVIDED BY GENERAL CONTRACTOR			
70	1	STAINLESS STEEL SERVICE COUNTER	
71	1	UTILITY OPENING. SEE XX/XXXX	

- NOTES
- FINAL CONNECTIONS BY PLUMBING CONTRACTOR
  - MOP BASIN PROVIDED & INSTALLED BY PLUMBING CONTRACTOR
  - POWER CONNECTION BY ELECTRICAL CONTRACTOR
  - EXHAUST FAN BY HVAC CONTRACTOR. FINAL CONNECTION COORDINATE BY HVAC CONTRACTOR & FOOD SERVICE VENDOR

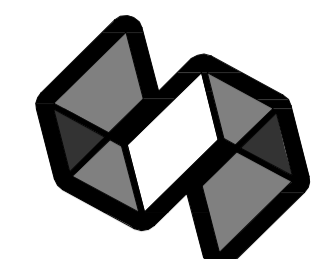
DRAWING SET	CD
COPYRIGHT	2013
FILE NAME	2013027_02-A211A.DWG
REVISIONS	
DRAWN	MJ
CHECKED	RG
DATE	10-29-13
PROJECT NO.	2013027_02
PROJECT TITLE	

**ALLIANT ENERGY CENTER PAVILIONS  
BID # 313072**

1919 ALLIANT ENERGY CENTER WAY  
MADISON, WISCONSIN 53713

SHEET TITLE  
**ENLARGED PLANS  
AREA A**

SHEET NO.  
**A211A**



**STRANG**

ARCHITECTURE  
ENGINEERING  
INTERIOR DESIGN

STRANG INC.  
8411 MINERAL POINT ROAD  
MADISON, WI 53705-4395  
T/ 608 276 9200  
F/ 608 276 9204

DRAWING SET CD  
COPYRIGHT 2013  
FILE NAME 2013027\_02-A211B.DWG  
REVISIONS

DRAWN  
CHECKED RG  
DATE 10-29-13  
PROJECT NO. 2013027\_02  
PROJECT TITLE

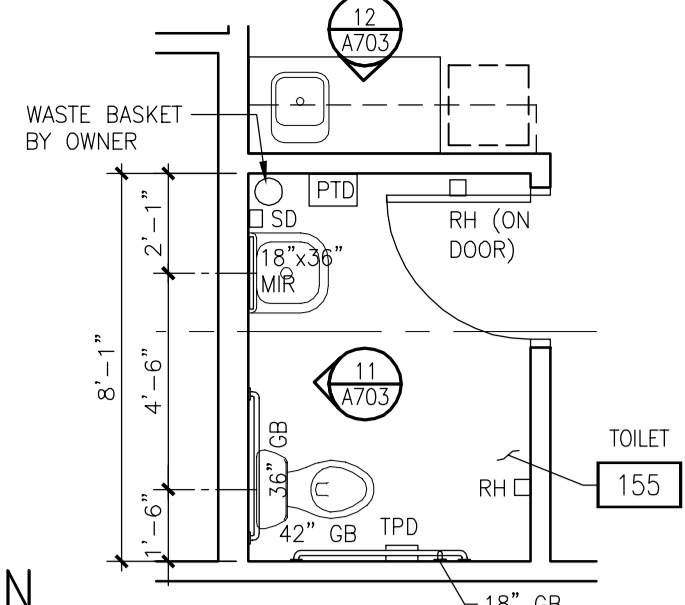
**ALLIANT ENERGY  
CENTER PAVILIONS  
BID # 313072**

1919 ALLIANT ENERGY CENTER WAY  
MADISON, WISCONSIN 53713

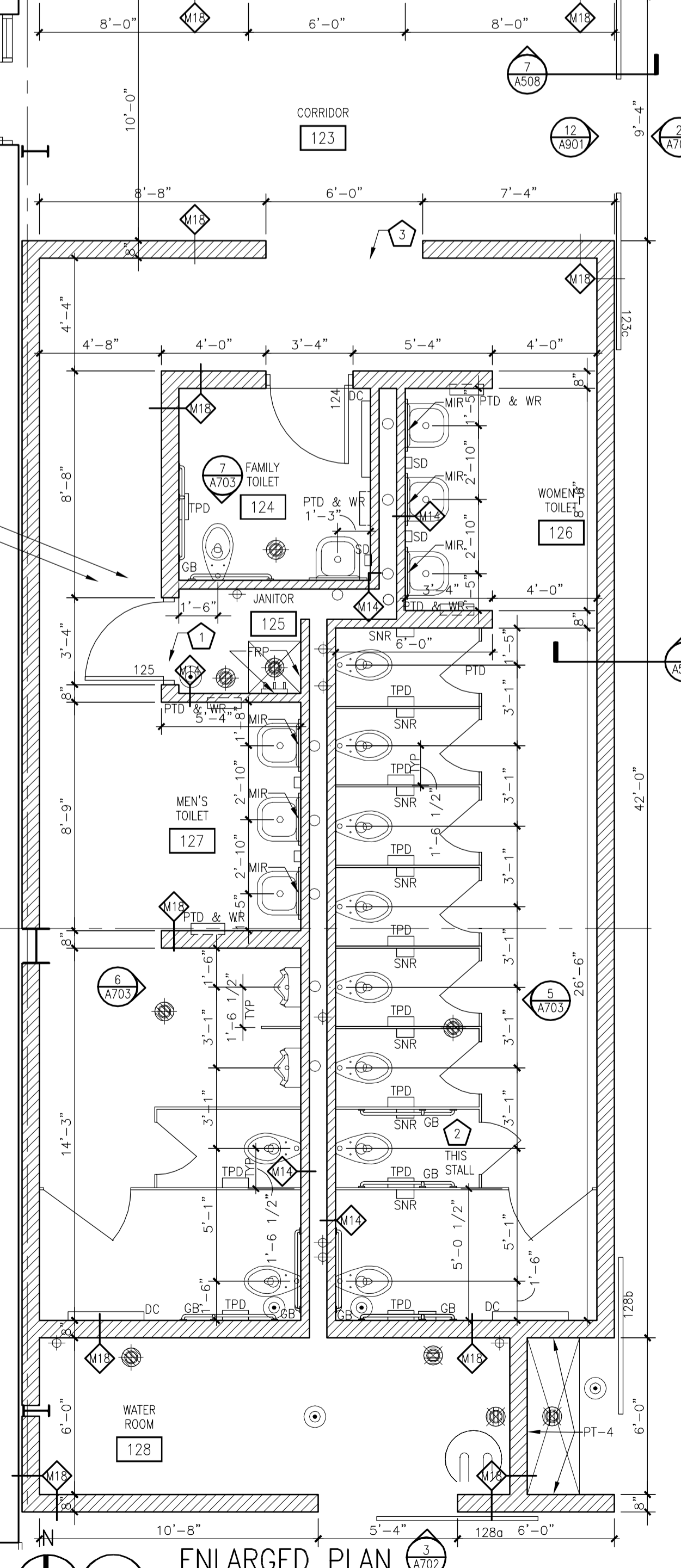
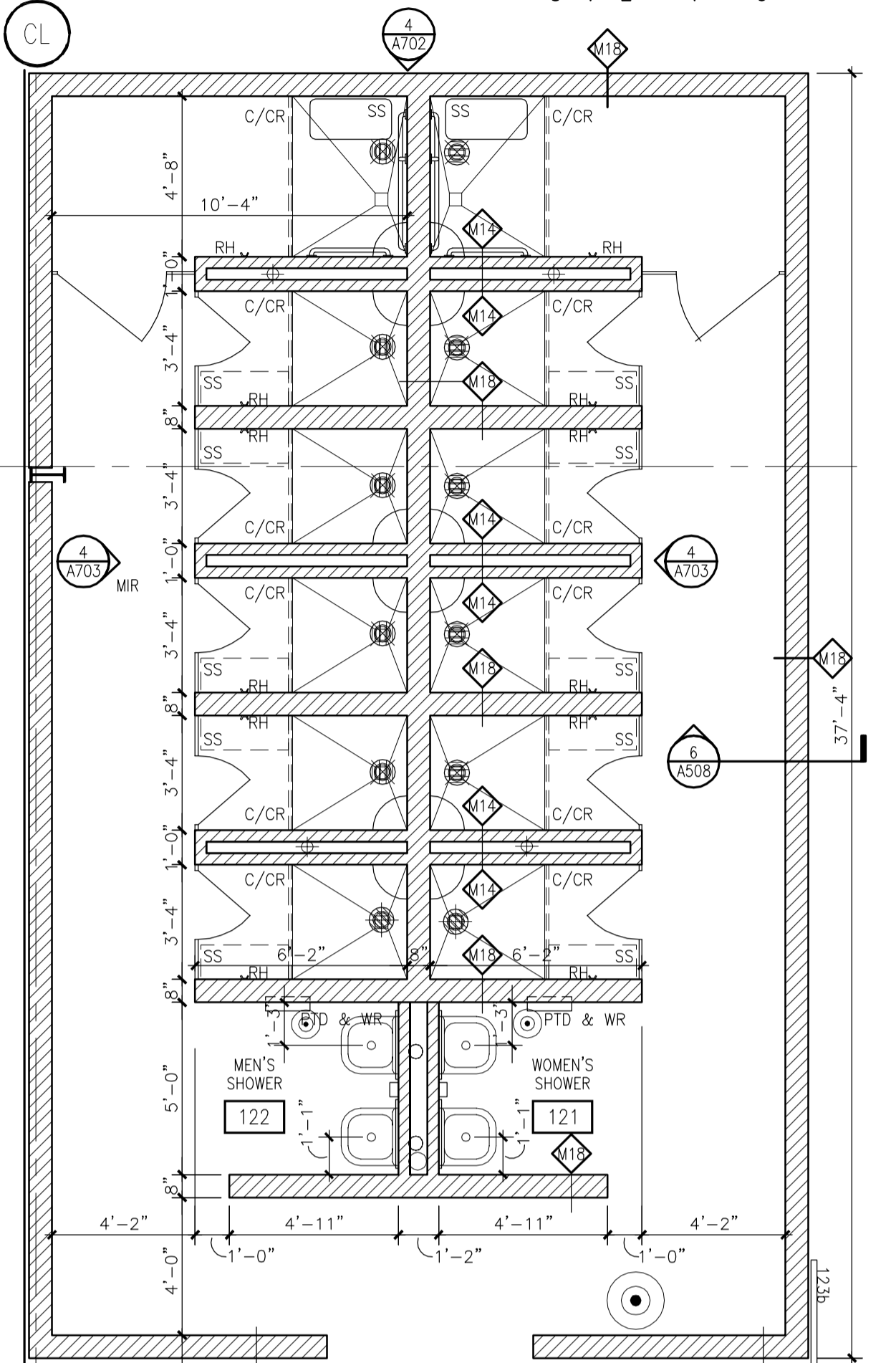
SHEET TITLE  
**ENLARGED  
TYPICAL FLOOR  
PLANS**

SHEET NO.  
**A211B**

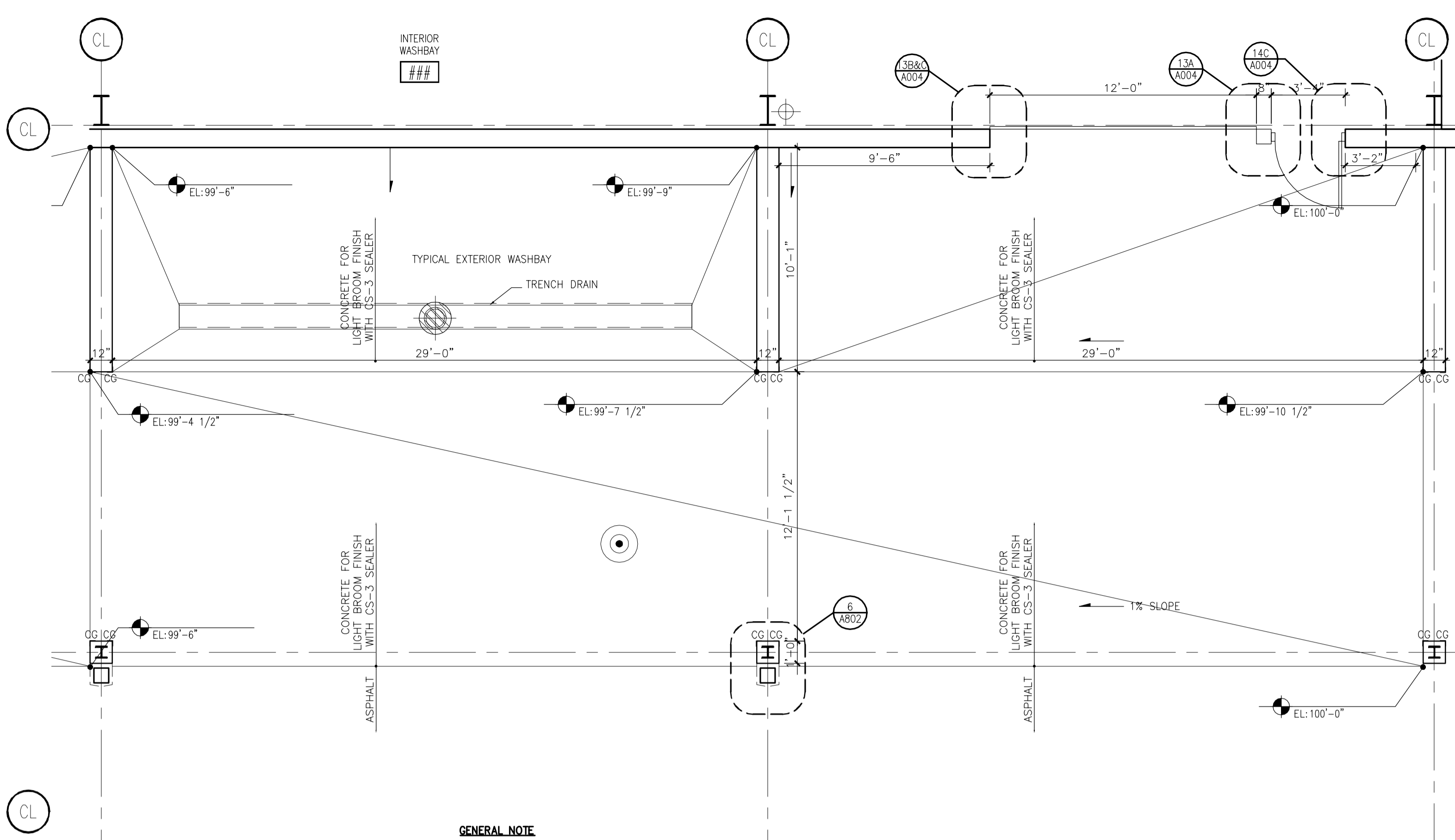
**TOILET ROOM PLAN GENERAL NOTES**  
1. TOILET ACCESSORIES ARE IDENTIFIED ON PLANS WITH ALPHA-NUMERIC ABBREVIATIONS. REFER TO SPECIFICATIONS FOR KEY TO ABBREVIATIONS AND FOR DESCRIPTION OF ACCESSORIES.  
2. PROVIDE CONCEALED BLOCKING IN STUD CAVITIES FOR ALL WALL-MOUNTED AND CEILING MOUNTED ACCESSORIES.  
3. REFER TO 13/A703 FOR MOUNTING LOCATIONS FOR TOILET ACCESSORIES.



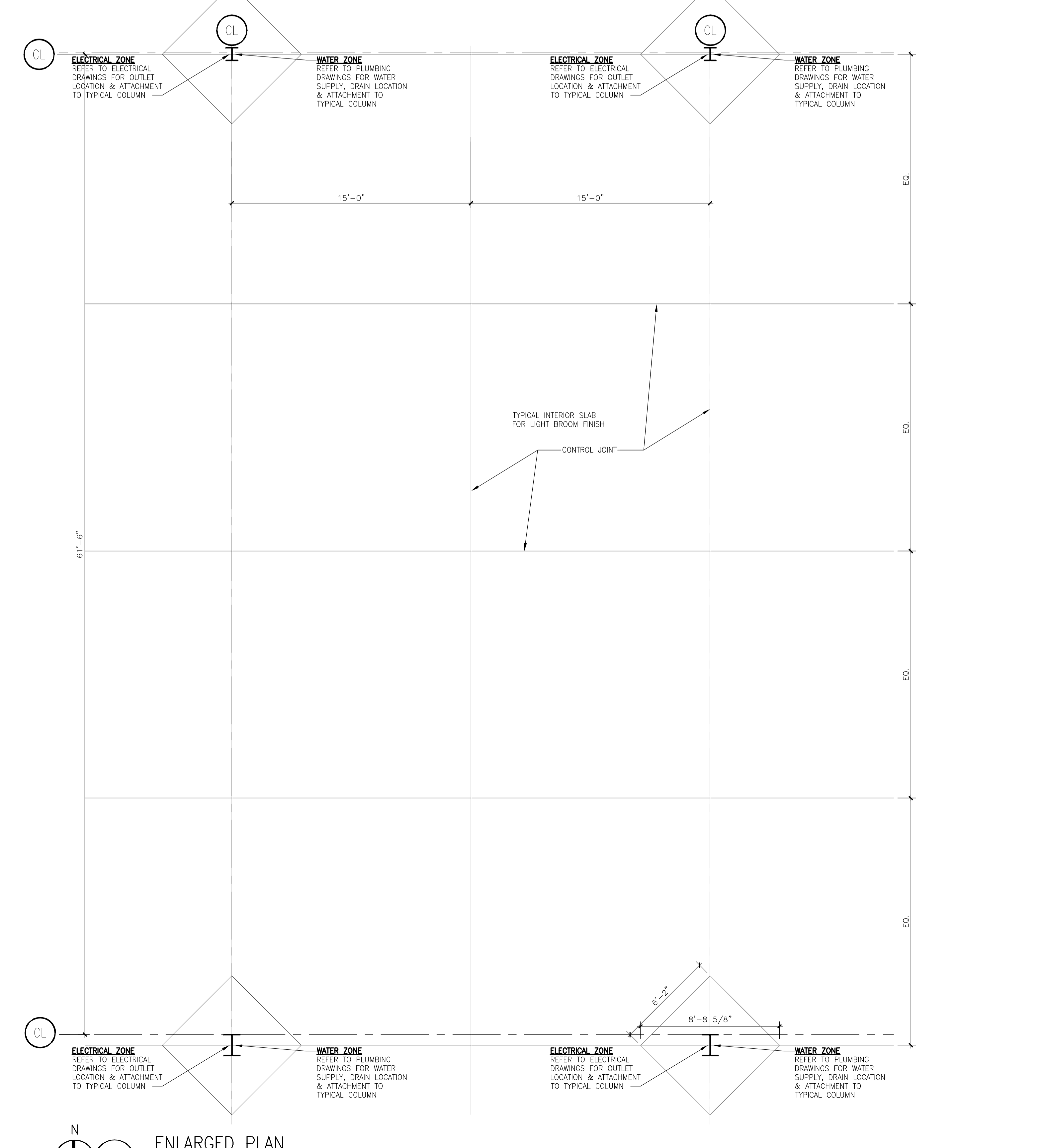
**ENLARGED PLAN**  
SCALE: 1/4" = 1'-0"  
0' 1' 2' 4' 6'



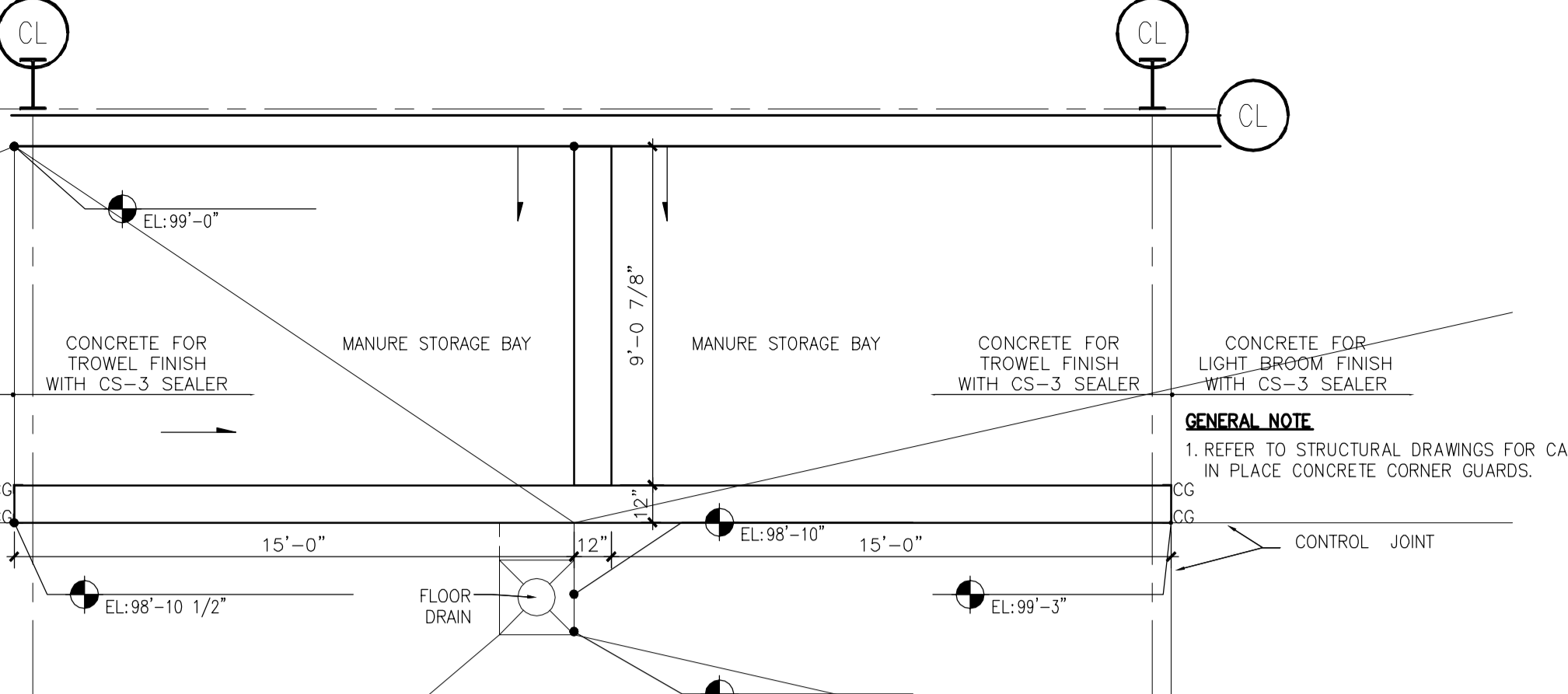
**ENLARGED PLAN**  
SCALE: 1/4" = 1'-0"  
0' 1' 2' 4' 6'



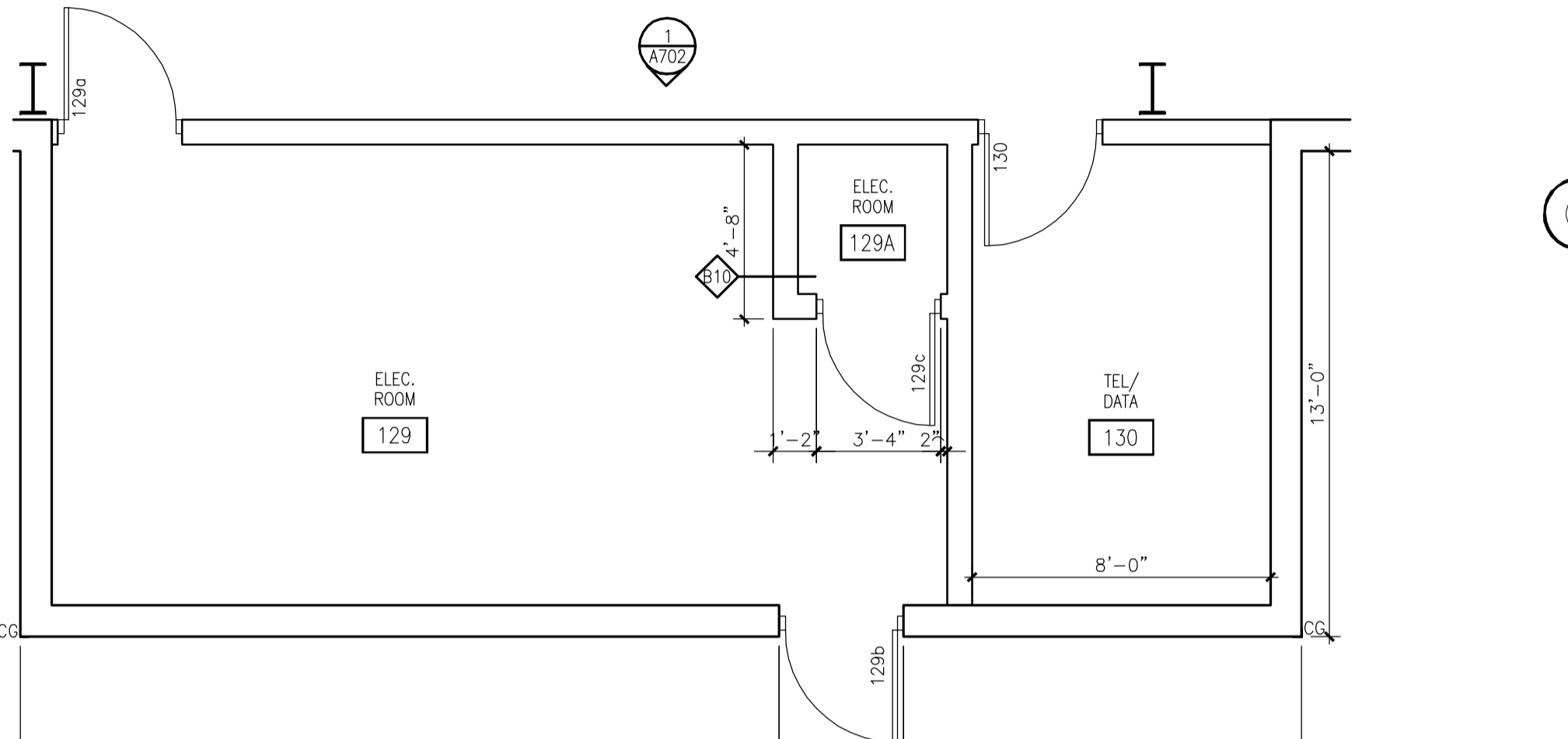
**ENLARGED PLAN**  
SCALE: 1/4" = 1'-0"  
0' 1' 2' 4' 6'



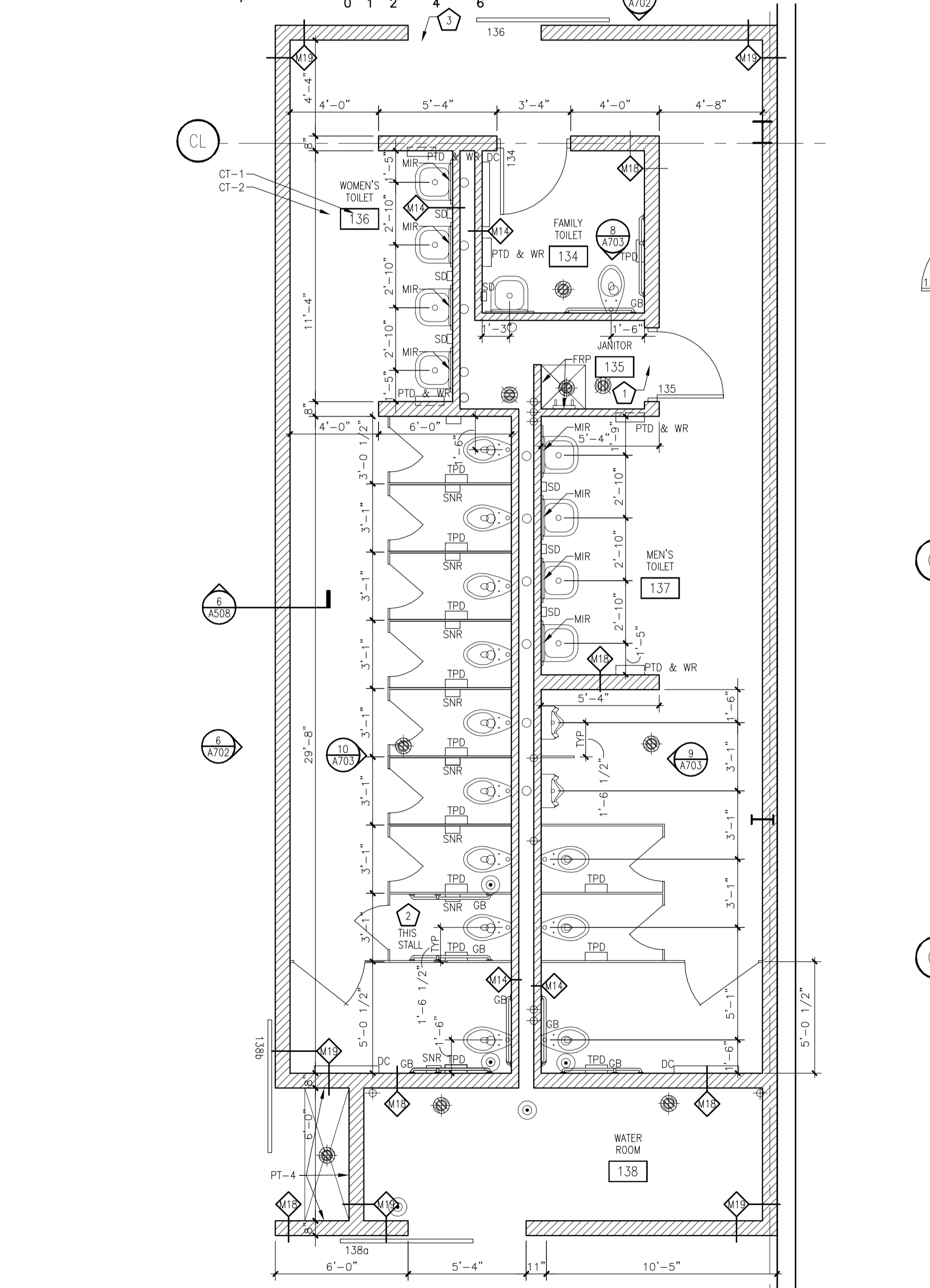
**ENLARGED PLAN**  
SCALE: 1/4" = 1'-0"  
0' 1' 2' 4' 6'



**ENLARGED PLAN**  
SCALE: 1/4" = 1'-0"  
0' 1' 2' 4' 6'



**ENLARGED PLAN**  
SCALE: 1/4" = 1'-0"  
0' 1' 2' 4' 6'



**ENLARGED PLAN**  
SCALE: 1/4" = 1'-0"  
0' 1' 2' 4' 6'



**ENLARGED PLAN**  
SCALE: 1/4" = 1'-0"  
0' 1' 2' 4' 6'

PLAN NOTES

1	PROVIDE STAINLESS STEEL METAL EDGE STRIP.
2	PROVIDE SIDE WALL GRAB BARS ON BOTH SIDES OF TOILET STALL. PROVIDE SELF-CLOSING TOILET STALL DOOR. PROVIDE PULL HANDLE ON BOTH SIDES OF DOOR NEAR THE LATCH.
3	PROVIDE MOP HOLDER AND FRP PANELS AT BOTH WALL BEHIND MOP SINK TO A HEIGHT OF 5'-0" AFF.

CARLOS RUIZ 2009-5-30 2:27 PM K:\2013\3013027 - ALLIANT ENERGY CENTER LIVESTOCK & EXHIBITION SPACE EXPANSION\2013027\_02 - A211B.DWG

MILKING SYSTEM										
Tag	Qty	Voltage	Current	Phase	Suggested Circuit Size	Wire Size Minimum	Number of Conductors	Typical Conduit	Comments	
1	Master Control Panel	Model MCP-200	1							
	power input	8516833	1	230 vac	20 amp max.	1 ph	1 X 20 amp	12 awg	2 wire + grd	EMT
	vac pump control circuit		1	230 vac	5 amp max.	1 ph	--	18 awg	2 wire + grd	EMT/Flex
2	Pipeline Washer	Guardian II	1	230 vac	15 amp max.	1 ph	15 amp	14 awg	2 wire + grd	EMT
	power input	8515271	1	230 vac	15 amp max.	1 ph	--	18 awg	2 wire	EMT
	control circuit		2	220/230 vac	5 amp max.	1 ph	--	18 awg	3 wire + grd	EMT
	water valves		2	230 vac	less than 0.5 amp	1 ph	--	18 awg	3 wire + grd	EMT
	pump module		1	230 vac	5 amp	1 ph	--	22 awg	2 wire	None
	temp sensor		1	minimal	less than 0.5 amp	1 ph	--	16 awg	3 wire + grd	EMT/Flex
	diverter valve	8518594	1	230 vac	0.2 amp	1 ph	--	18 awg	2 wire + grd	EMT/Flex
	drain valve	8518176	1	230 vac	0.2 amp	1 ph	--	18 awg	2 wire + grd	EMT/Flex
3	Water Heater		1	115 vac	15 amp		15 amp	14 awg	2 wire + grd	
			1	115 vac	15 amp		15 amp	14 awg	2 wire + grd	
4	Milk Pump Speed Control	Opti-Flu CF	1	230 vac	4.1 amp	3 ph	1 X 15 amp	12 awg	3 wire, shield, grd	EMT
	power input		1	230 vac	3.8 amp max.	3 ph	--	12 awg	3 wire, shield, grd	Liq. Trk
	mk pump output for 2 hp		1	230 vac						
5	Vac Pump Speed Control	15 hp	1	230 vac	46.0 amp	3 ph	60 amp	4 awg	3 wire + grd	EMT/Flex
	Power Input		1	230 vac						mount controller adjacent to motor
6	Vacuum Pump Motors	15 hp	1	230 vac	46 amp	3 ph	--	8 awg	3 wire + grd	Flex
	Power Input		1	230 vac						
7	Vacuum Pump Motors	10 hp	1	230 vac	27 amp	3 ph	50 amp	8 awg	3 wire + grd	Flex
	Power Input		1	230 vac						

AUTOMATION SYSTEM										
Tag	Qty	Voltage	Current	Phase	Suggested Circuit Size	Wire Size Minimum	Number of Conductors	Typical Conduit	Comments	
8	Smart Dairy		1		See notes 1 & 2					
	input power plug-in		1	120 vac	0.3 amp	1 ph	15 amp	14 awg	2 wire + grd	120V - Wall receptacle
	plug-in output		1	120 vac	1.2 amp	--	--	18 awg	3 wire	6 ft leads supplied by B-M dedicated circuit
9	Laptop		1	115 vac	0.5 amp	1 ph	15 amp	14 awg	2 wire + grd	None
	power input		1	115 vac	0.5 amp	1 ph	15 amp	14 awg	2 wire + grd	120V - Wall receptacle share with SD control
10	Power Supply		7							
	power input		1	200/220/240 vac	1.9 amp	1 ph	2 X 15 amp	12 awg	2 wire + grd	EMT
	output		1	24 vac	8 amp	--	--	12 awg	3 wire	EMT suggest 2 circuits (TP & Backflush)
11	TouchPoint with Smart		24							
	power input		1	24 vdc	0.78/0.42 amp	--	--	12/10 awg	3 wire	PVC
	mk meter		1	24 vdc	--	--	--	20 awg	6 wire + shield	None/PVC
	communication		1	3.1 to 3.6 vdc	--	--	--	18 awg	3 wire + shield	PVC
12	Backflush		24							
	power input		1	24 vdc	0.78/0.42 amp	--	--	12 awg	3 wire	PVC
13	Air Compressor	2 hp	2	115 vac	10 amp	1 ph	20 amp	12 awg	3 wire + grd	none
	Power Input		1	115 vac	10 amp	1 ph	20 amp	12 awg	3 wire + grd	120V - Wall receptacle

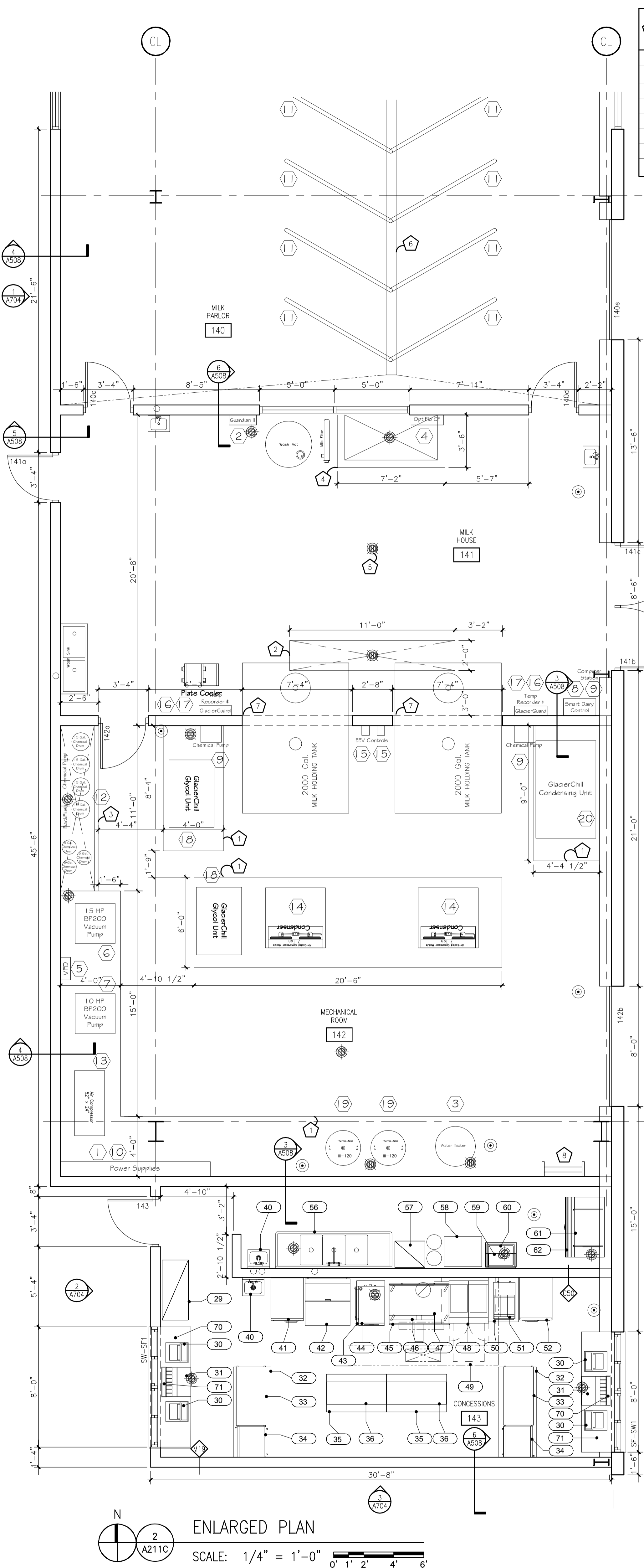
  

COOLING SYSTEM										
Tag	Qty	Voltage	Current	Phase	Suggested Circuit Size	Wire Size Minimum	Number of Conductors	Typical Conduit	Comments	
14	Condensing Units	7.5 Hp	2	208/230 vac	27.6 RLA	3 ph	50 amp	6 awg	3 wire + grd	EMT/Flex
	power input		1	208/230 vac						motor disconnect recommended
15	EEV Controls		2	230 vac	5 amp max	1 ph	15 amp	14 awg	2 wire + grd	EMT/Flex
	Power Input		1	230 vac	5 amp max	1 ph	15 amp	14 awg	2 wire + grd	EMT/Flex
16	Glacier Controller		2							
	power input		2	230 vac	15 amp max.	1 ph	15 amp	12 awg	2 wire + grd	EMT
	control circuit		2	220/230 vac	5 amp max.	1 ph	--	18 awg	2 wire	EMT
	water valves		4	230 vac	less than 0.5 amp	1 ph	--	18 awg	3 wire + grd	EMT
	pump module		2	230 vac	5 amp	1 ph	--	18 awg	3 wire + grd	EMT
	temp sensor		2	minimal	less than 0.5 amp	1 ph	--	22 awg	2 wire	None
17	Temp Recorder		2	230 vac	0.2 amp	1 ph	--	16 awg	3 wire + grd	EMT/Flex
	drain valve		2	230 vac	0.2 amp	1 ph	--	18 awg	2 wire + grd	EMT/Flex
18	Modular Chiller 10 HP		1	230 vac	MCA 55	3 ph	MOP 90	#2	3 wire + grd	EMT/Flex
	Compressor Mod.		1	230 vac	MCA 30	3 ph	MOP 40	8 awg	3 wire + grd	EMT/Flex
19	Therma-Stor									
	Power Input		4013620	2	115 vac	less than 5 amp	1 ph	15 amp	14 awg	2 wire + grd
20	Motorized dampers	dealer supplied	6	120/240 vac	less than 5 amp	1 ph	15 amp	12 awg	2 wire + grd	EMT/Flex
	Power Input		6	120/240 vac	less than 5 amp	1 ph	15 amp	12 awg	2 wire + grd	dealer supplied - check nameplate

Information in this guide is intended to assist those responsible for design of the electrical supply system. All electrical wiring must conform to local requirements. Minimum wire size based on using minimum 75 Deg C wire. Specifications are subject to change without notice. Refer to the electrical requirements on all product nameplates prior to installing. High voltage AC power wiring must be done by a qualified (licensed) electrician and according to applicable codes (state, local and other).

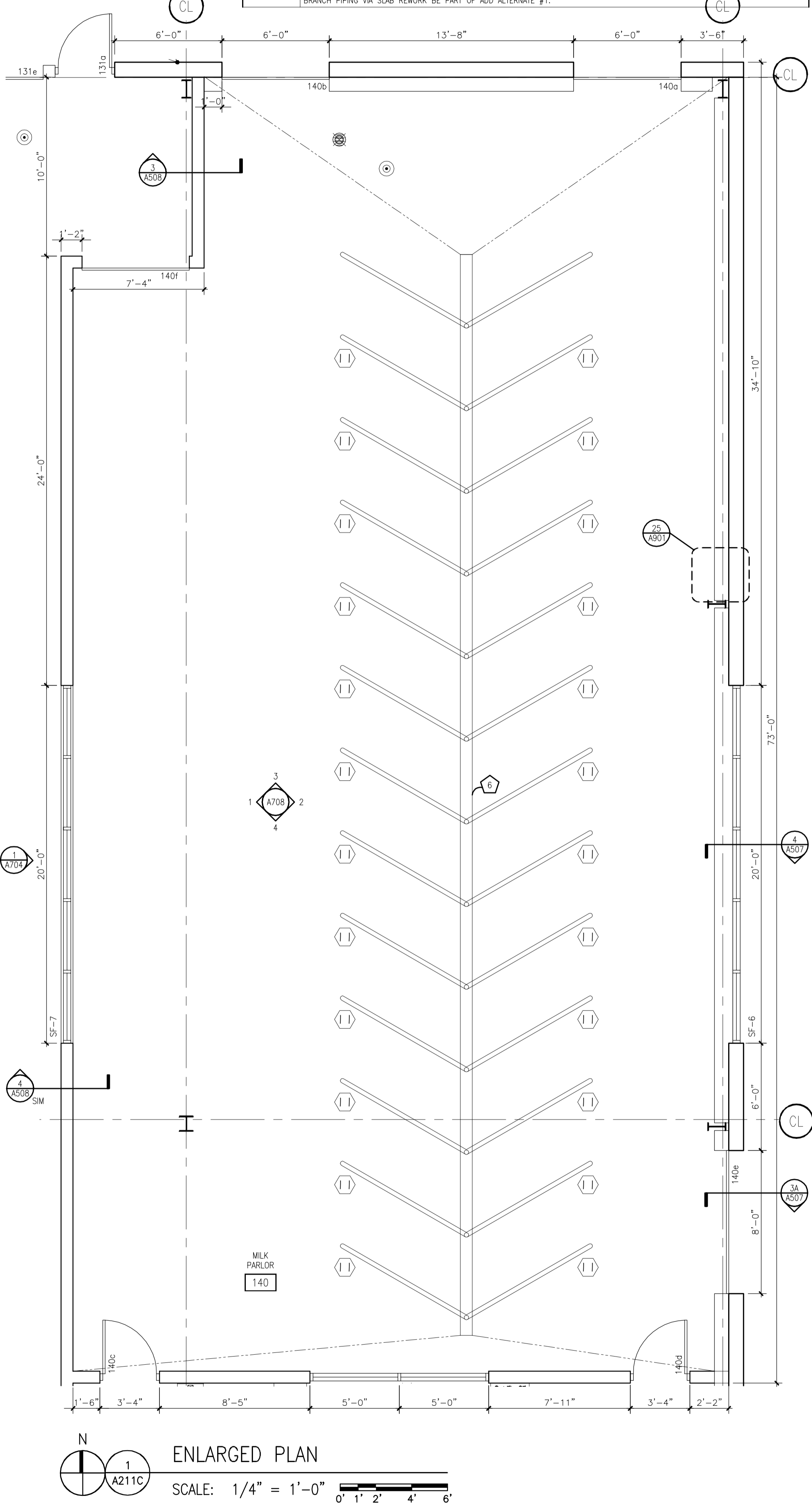
ITEM	QTY	DESCRIPTION	NOTES
1	1	HANDSINK	1
2	1	MOP SINK & SERVICE FAUCET	1, 2
3	1	CHEMICAL SHELF	
4	1	WALL SHELF	
5	1	3 COMPARTMENT SINK W/FAUCET & LEVER WASTE	1
6	1	SPARE NUMBER	
7	1	SPARE NUMBER	
8	2	REACH-IN REFRIGERATOR	
9	4	POINT OF SALE REGISTER	
10	2	FOOD WARMERS	
11	2	SODA DISPENSER	
12	2	WORK TABLE	
13	1	SPARE NUMBER	
14	1	SPARE NUMBER	
15	1	SPARE NUMBER	
16	1	WORK TABLE	
17	1	FRENCH FRY WARMER	
18	1	DOUBLE FRYER BATTERY	
19	1	SPREADER	
20	1	CHEF BASE W/ FREEZER DRAWERS	
21	1	GAS GRIDDLE	1
22	1	REFRIGERATED MAKEUP TABLE	
23	1	REFRIGERATOR REACH-IN	
24	2	WIRE SHELVING	3, 4
25	1	TYPE 1 HOOD	
26	1	SPARE NUMBER	
27	1	SPARE NUMBER	
28	1	SPARE NUMBER	
29	1	WIRE SHELVING	
30	4	POINT OF SALE REGISTER	
31	2	SODA DISPENSER	
32	2	WORK TABLE W/ UNDERSHELF	
33	2	FOOD WARMER	
34	2	REACH-IN REFRIGERATOR	
35	2	WORK TABLE	
36	2	DOUBLE TABLE MOUNTED OVERSHELF	
37	1	SPARE NUMBER	
38	1	SPARE NUMBER	
39	1	SPARE NUMBER	
40	2	HANDSINK	1
41	1	REFRIGERATOR REACH-IN	
42	1	REFRIGERATED MAKEUP TABLE	
43	1	EQUIPMENT STAND WITH RACK SLIDES	
44	1	COMB OVEN	
45	1	CHEF BASE W/ FREEZER DRAWERS	
46	1	GAS GRIDDLE	1
47	1	SPREADER	1
48	1	DOUBLE FRYER BATTERY	
49	1	TYPE 1 HOOD	
50	1	WORK TABLE	3, 4
51	1	FRENCH FRY WARMER	
52	1	FREEZER REACH-IN	
53	1	SPARE NUMBER	
54	1	SPARE NUMBER	
55	1	SPARE NUMBER	
56	1	3 COMPARTMENT SINK W/FAUCET & LEVER WASTE	1
57	1	WIRE SHELVING	
58	1	BAGINBOX (BY VENDOR)	
59	1	CHEMICAL SHELF	
60	1	MOP SINK & SERVICE FAUCET	1, 2
61	1	ICE MACHINE W/ FILTER	1
62	1	ICE BIN	
ITEMS ABOVE PROVIDED & INSTALLED BY FOOD SERVICE VENDOR			
ITEMS BELOW PROVIDED BY GENERAL CONTRACTOR			
70	1	STAINLESS STEEL SERVICE CONTRCTOR	
71	1	COORDINATE POWER REQUIREMENTS AND LOCATION WITH FOOD SERVICE VENDOR. PROVIDE COUNTERTOP GROMMET AS REQUIRED.	

- NOTES
- FINAL CONNECTIONS BY PLUMBING CONTRACTOR
  - MOP BASIN PROVIDED & INSTALLED BY PLUMBING CONTRACTOR
  - POWER CONNECTION BY ELECTRICAL CONTRACTOR
  - EXHAUST FAN BY HVAC CONTRACTOR. FINAL CONNECTION COORDINATION BY HVAC CONTRACTOR & FOOD SERVICE VENDOR

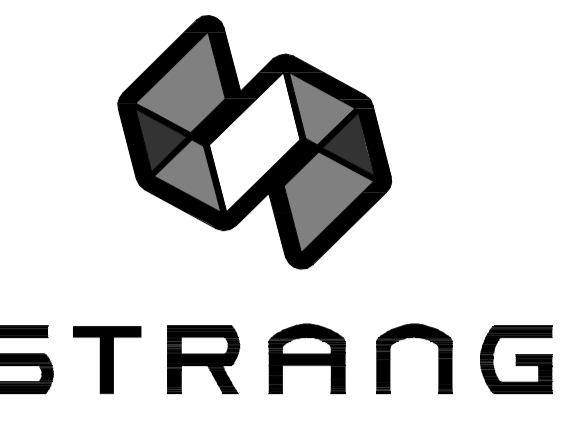


2 A211C  
ENLARGED PLAN  
SCALE: 1/4" = 1'-0"  
0' 1' 2' 4' 6'

#	PLAN - SPECIFIC NOTES	GENERAL NOTES
1	6" RAISED CONC. EQUIPMENT PAD	1. ALL DIMENSIONS ARE GIVEN TO FACE OF WALL OR CENTERLINES. SEE WALL SECTIONS AND PARTITION TYPE SECTIONS FOR CONSTRUCTION.
2	24" DEEP DERESSED CONC. SLAB W/ 6" H X 6" W CURB EDGE TO ACCOMMODATE FLOOR DRAIN REFER TO STRUCTURAL DRAWINGS	2. HOLD DOOR FRAMES 4" FROM ADJACENT WALLS, U.N.O.
3	6" RAISED CURB	3. GENERAL CONTRACTOR TO PROVIDE BLOCKING FOR ALL WALL MOUNTED ITEMS INCLUDING OWNER FURNISHED ITEMS. COORDINATE WITH OWNER. VERIFY WITH OWNER THE EXACT HEIGHT AND LOCATION OF ALL WALL-MOUNTED AND CEILING MOUNTED EQUIPMENT.
4	34" DERESSED CONC. SLAB W/ 6" CURB EDGE TO ACCOMMODATE FLOOR DRAIN	4. REFER TO LOOSE LINTEL SCHEDULE ON SHEET S001 FOR LINTEL REQUIREMENTS AT HVAC OPENINGS IN MASONRY WALLS.
5	FLOOR DRAIN REFER TO PLUMBING	5. ALL WOOD FRAMING AND/OR BLOCKING USED IN EXTERIOR WALL SYSTEMS TO BE PRESSURE TREATED "TR" TYPE.
6	8" DERESSED CUT IN HALF PVC PIPE SLOPED TO DRAIN (SEE PLUMBING FOR DETAILS)	6. FLOOR SLAB IN MILKING PARLOR TO ACCOMMODATE EQUIPOTENTIAL GROUNDING (SEE STRUCTURAL AND ELECTRICAL DRAWINGS FOR DETAILS)
7	ROUGH OPENING DIMENSIONS SHOWN FOR REFERENCE COORDINATE WITH EQUIPMENT	7. REFER TO STRUCTURAL PLANS, S201B, S201C & S201D FOR INTERIOR CONCRETE SLAB JOINT LAYOUT
8	PROVIDE ROOF LADDER W/ GAGE ATTACHED TO REND GRIS SYSTEM & 4'-0" X 4'-0" ROOF ACCESS HATCH TO WALKABLE PLENUM - SEE SPECIFICATIONS	8. OWNER PROVIDED CONCESSION AND MILK HOUSE/ PARLOR EQUIPMENT SHOWN FOR ROUGH IN LOCATIONS. COORDINATE FINAL EQUIPMENT SELECTION / SPECIFICATIONS PRIOR TO WORK.
		9. EXTERIOR ENVELOPE @ MILK HOUSE/ PARLOR/ MECHANICAL ROOMS, 140-142 AND CONCESSION ROOM 143, PROVIDE CODE MINIMUM R- VALUES, SEE 1/A507, 1/A508 FOR DETAILS.
		10. OFDI RUBBER FLOORMATS FOR MILK PARLOR
		11. PROVIDE 18 GA. SHEET METAL STRAPPING BY 6" WIDE AT ALL WALL MOUNTED ITEMS LOCATED ON GWB OVER METAL STUDS.
		12. ROOMS 129,129A,130,132,132A,133,149,149A AND 150, THE UPPER PORTION OF ALL PARTITIONS IS TO BE PROVIDED AS PRE-ENGINEERED METAL BUILDING CONSTRUCTION PER SECTION 1/A507
		ALTERNATE #1 ALL ABOVE SLAB WORK INCLUDING BUT NOT LIMITED TO PLUMBING FIXTURES, DWL WALL ASSEMBLIES, LIGHT GAGE METAL CEILING ASSEMBLIES, INTERIOR FINISHES, SPECIALTIES, MECHANICAL AND ELECTRICAL EQUIPMENT TO BE CONSIDERED PART OF ADD ALTERNATE #1. UNDER SLAB WORK INCLUDING FOUNDATION AND PLUMBING ROUGH WORK TO THE PERIMETER OF TOILET ROOM 134-136, TO BE INSTALLED AS PART OF BICE BUILDING CONSTRUCTION WITH FUTURE PLUMBING SANITARY WORKING INTO EXISTING BRANCH PIPING VIA SLAB REWORK. BE PART OF ADD ALTERNATE #1.



1 A211C  
ENLARGED PLAN  
SCALE: 1/4" = 1'-0"  
0' 1' 2' 4' 6'



ARCHITECTURE  
ENGINEERING  
INTERIOR DESIGN

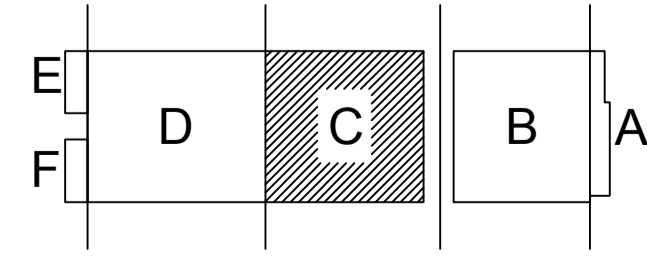
STRANG INC.  
8411 MINERAL POINT ROAD  
MADISON, WI 53705-4395  
T/ 608 276 9200  
F/ 608 276 9204

DRAWING SET CD  
COPYRIGHT 2013  
STRANG, INC.  
FILE NAME 2013027\_02\_A211C.DWG  
REVISIONS

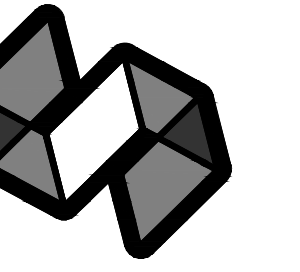
DRAWN  
CHECKED RG  
DATE 10-29-13  
PROJECT NO. 2013027\_02  
PROJECT TITLE

ALLIANT ENERGY  
CENTER PAVILIONS  
BID # 313072

1919 ALLIANT ENERGY CENTER WAY  
MADISON, WISCONSIN 53713



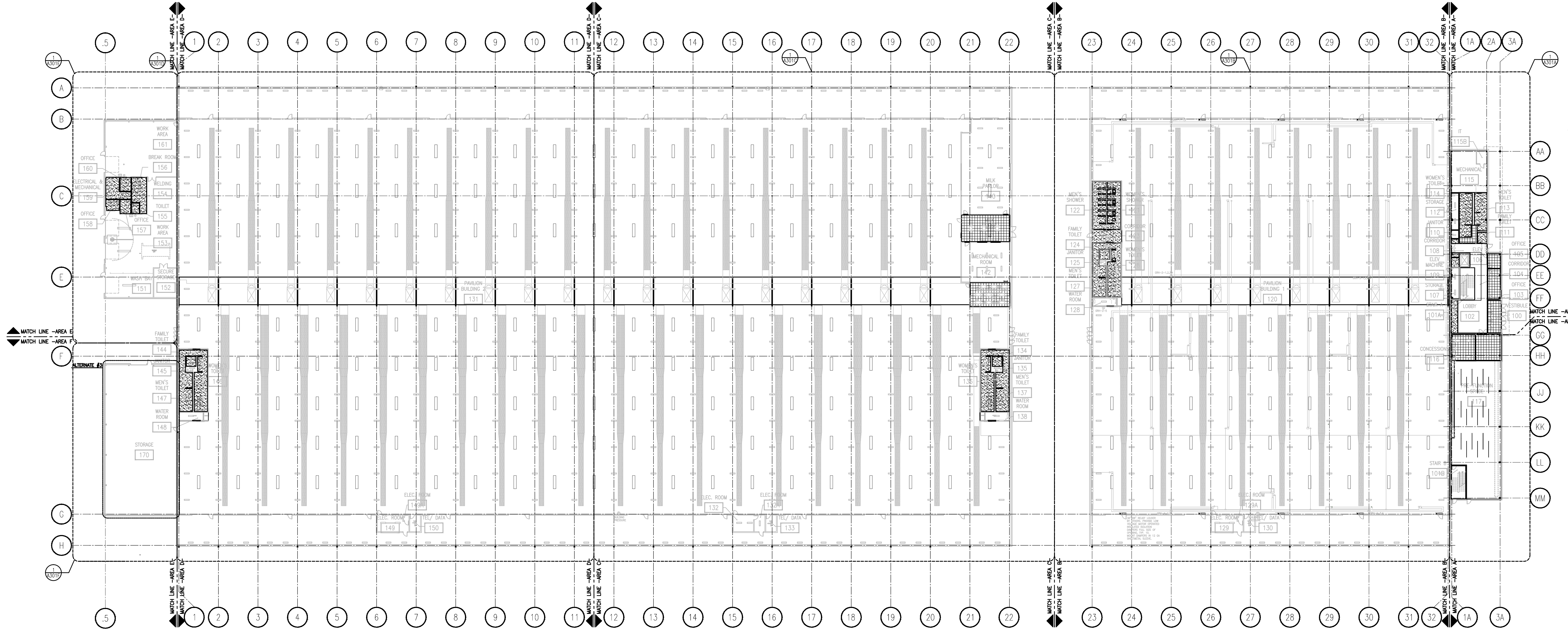
KEY PLAN  
SHEET TITLE  
ENLARGED MILKING PARLOR PLAN  
SHEET NO.  
A211C

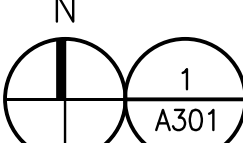


STRANG

ARCHITECTURE  
ENGINEERING  
INTERIOR DESIGN

STRANG INC.  
8411 MINERAL POINT ROAD  
MADISON, WI 53705-4395  
T/ 608 276 9200  
F/ 608 276 9204



 FIRST FLOOR REFLECTED CEILING REFERENCE PLAN  
SCALE: 1/32" = 1'-0"

REFLECTED CEILING PLAN LEGEND	
	CEILING HEIGHT LABEL
	LINEAR FLUORESCENT FIXTURE - RECESSED
	2'x4' FLUORESCENT FIXTURE (RECESSED)
	FLUORESCENT FIXTURE - STRIP
	WALL MOUNTED SURFACE LIGHT
	RECESSED DOWNLIGHT
	PENDANT FIXTURE
	EXIT LIGHT
	CEILING-MOUNTED SPEAKER-STROBE
	SELF-CONTAINED EMERGENCY LIGHTING UNIT
	FIRE ALARM HORN/STROBES
	FIRE ALARM STROBES
	TRACK LIGHTING FIXTURE
	OCCUPANCY SENSOR
	HARD SERVICE DROP CORD
	RETURN AIR GRILLE
	SUPPLY AIR DIFFUSER
	ACCESS PANEL
	GYPHUM WALLBOARD OR PLASTER
	2'x2' ACOUSTICAL CEILING PANEL (ACP-3)
	12'x2'x48' ACOUSTICAL CEILING PANEL (ACP-1)

DRAWING SET	CD
COPYRIGHT	2013
FILE NAME	2013027_02-A301.DWG
REVISIONS	

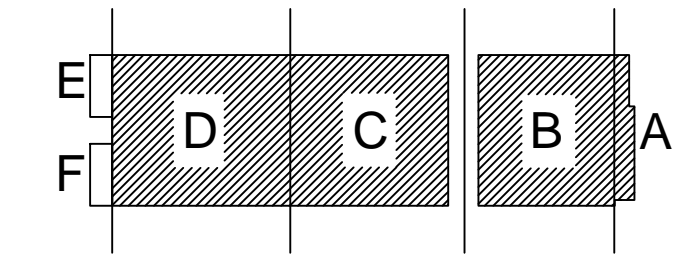
DRAWN	MJ
CHECKED	RG
DATE	10-29-13
PROJECT NO.	2013027_02
PROJECT TITLE	

ALLIANT ENERGY CENTER PAVILIONS  
BID # 313072

1919 ALLIANT ENERGY CENTER WAY  
MADISON, WISCONSIN 53713

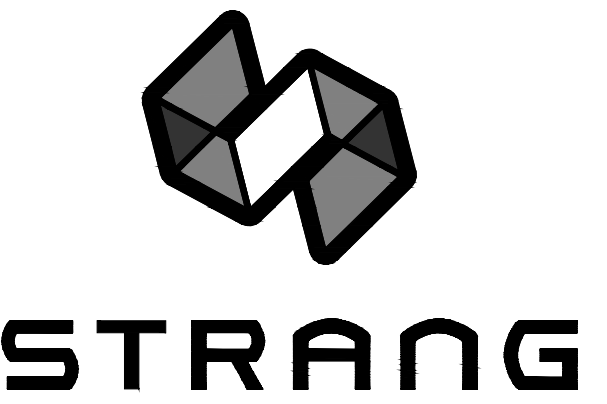
SHEET TITLE  
FIRST FLOOR REFLECTED CEILING REFERENCE PLAN

SHEET NO.  
A301



KEY PLAN

CARLOS RUIZ 2013-10-29 9:17 AM K:\2013027\_02-A301.DWG



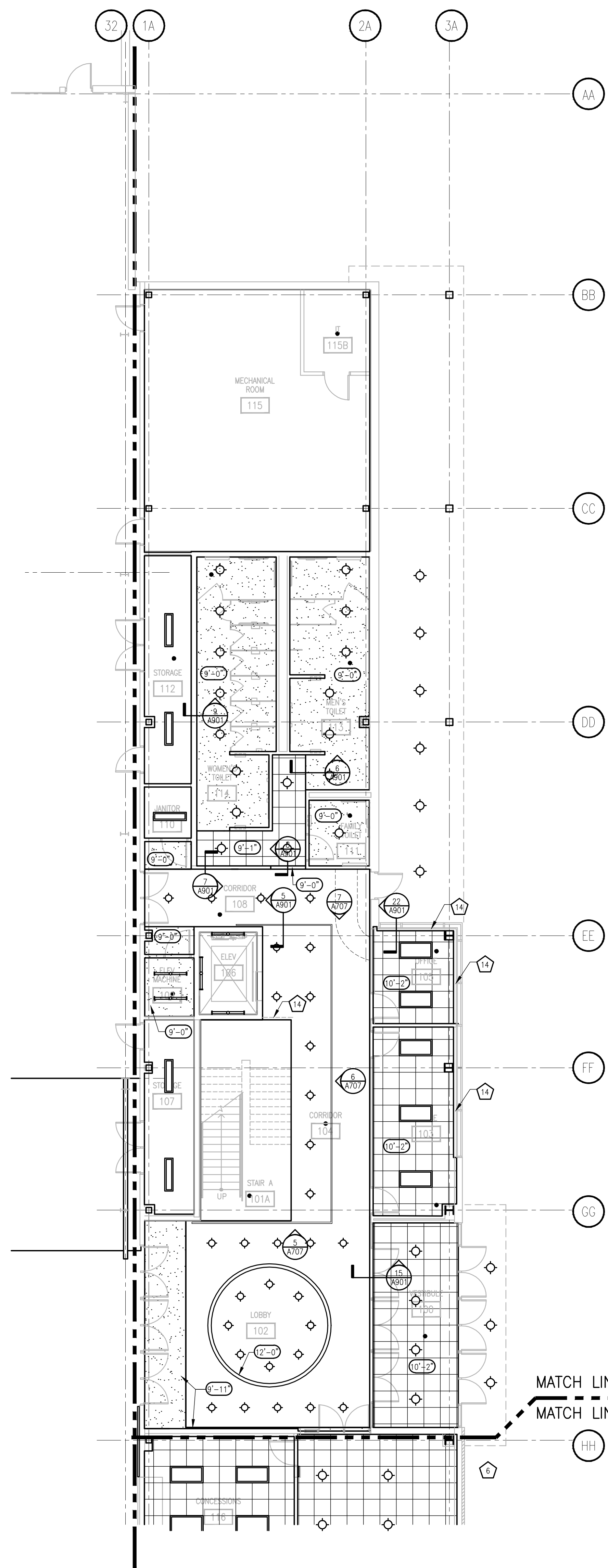
ARCHITECTURE  
ENGINEERING  
INTERIOR DESIGN

STRANG INC.  
8411 MINERAL POINT ROAD  
MADISON, WI 53705-4395  
T/ 608 276 9200  
F/ 608 276 9204

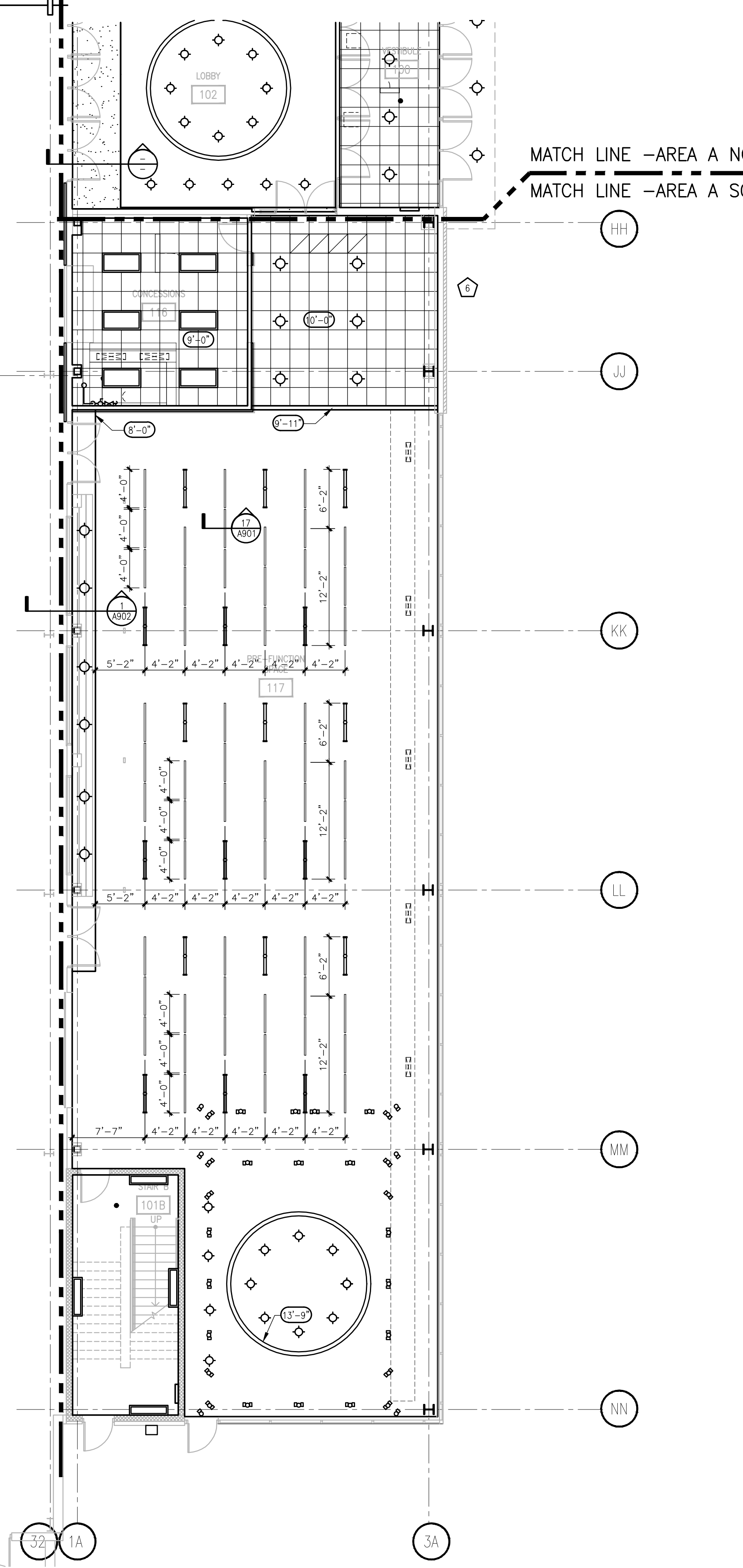
REFLECTED CEILING PLAN LEGEND	
	CEILING HEIGHT LABEL
	LINEAR FLUORESCENT FIXTURE - RECESSED
	2'x4' FLUORESCENT FIXTURE (RECESSED)
	FLUORESCENT FIXTURE-STRIP
	WALL MOUNTED SURFACE LIGHT
	RECESSED DOWNLIGHT
	PENDANT FIXTURE
	EXIT LIGHT
	CEILING-MOUNTED SPEAKER-STROBE
	SELF-CONTAINED EMERGENCY LIGHTING UNIT
	FIRE ALARM HORN-STROBES
	FIRE ALARM STROBES
	TRACK LIGHTING FIXTURE
	OCCUPANCY SENSOR
	HARD SERVICE DROP CORD
	RETURN AIR GRILLE
	SUPPLY AIR DIFFUSER
	ACCESS PANEL
	GYPSUM WALLBOARD OR PLASTER
	2'x2' ACOUSTICAL CEILING PANEL (ACP-3)
	12'x2'x48' ACOUSTICAL CEILING PANEL (ACP-1)

GENERAL REFLECTED CEILING PLAN NOTES	
1	ROOMS ARE OPEN TO STRUCTURE UNLESS SHOWN OTHERWISE.
2	LIGHT FIXTURES SHOWN FOR COORDINATION ONLY. SEE LIGHTING PLAN FOR FIXTURE INFORMATION.
3	SEE FP DRAWINGS FOR FIRE PROTECTION PLANS AND NOTES.
4	ALL ACP-1 TO BE MOUNTED 13'-9" AFF U.N.O. REFER TO DETAIL 19/A901.
5	ALTERNATE BID #2: ALL ACP-1 @ MEZZANINE LEVEL.

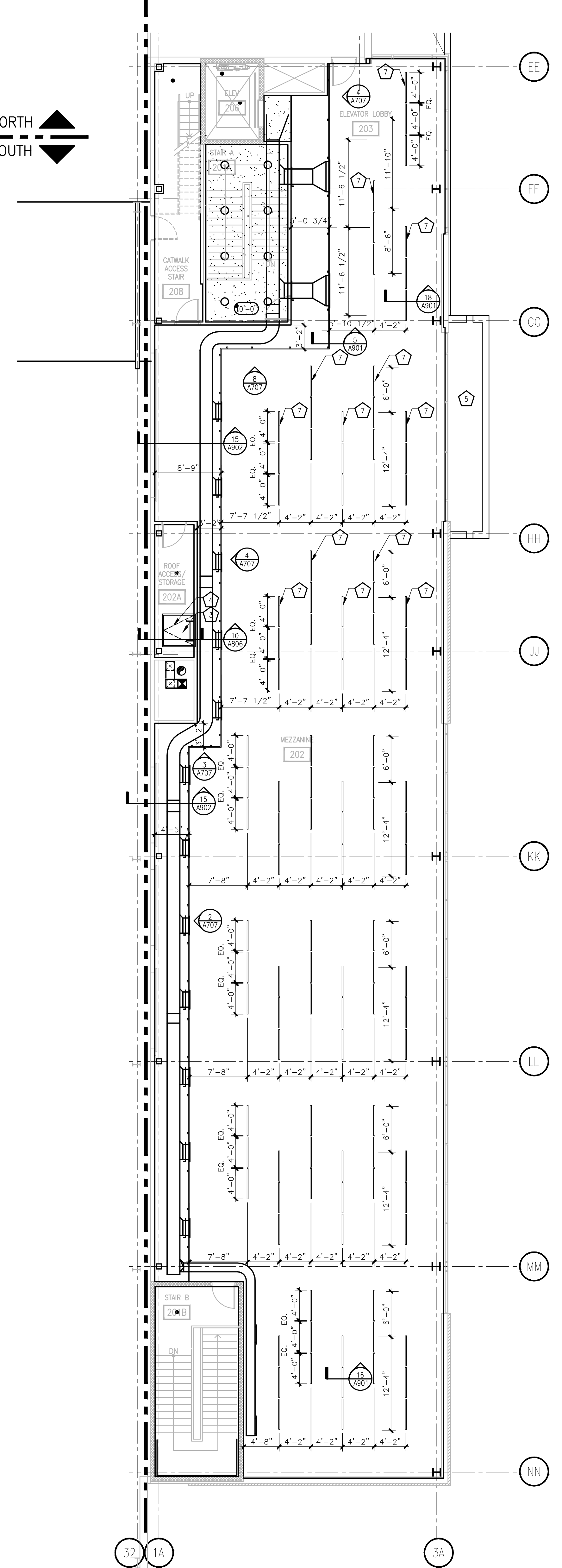
REFLECTED CEILING PLAN-SPECIFIC NOTES	
1	PROVIDE ACCESS PANEL, COORD. WITH MECH. DRAWINGS
2	SUSPENDED OPEN CEILING GRID SYSTEM WITH 10"-HIGH ALUMINUM PERIMETER TRIM, TYP.
3	WALL-MOUNTED LADDER TO ROOF
4	INSULATED ROOF HATCH.
5	EXTERIOR CANOPY BELOW.
6	EXTERIOR CANOPY ABOVE.
7	MOUNT TOP OF ACP-1 @ 2'-3" FROM BOTTOM OF CEILING STRUCTURE. SEE DETAIL 19/A901 FOR HANGING ANGLE. SEE SECTION 1/A501 FOR REFERENCE.
8	ROOF MOUNTED SKYLIGHT, TYP.
9	FABRIC DIFFUSER, TYP. - SEE MECHANICAL DWGS.
10	SUSPENDED LIGHT FIXTURE, TYP. - SEE ELECTRICAL DWGS.
11	SUPPLY OR WASTE/VENT PIPING, TYP. - SEE PLUMBING DWGS.
12	RADIANT HEATER, TYP. - SEE MECHANICAL DWGS.
13	PROVIDE STEEL EXTENSION AS DRAFT CURTAIN. SEE DETAIL 10/A901
14	PROVIDE SHADE POCKET; SEE DETAIL X/A90X



MATCH LINE -AREA A NORTH  
MATCH LINE -AREA A SOUTH



MATCH LINE -AREA A NORTH  
MATCH LINE -AREA A SOUTH

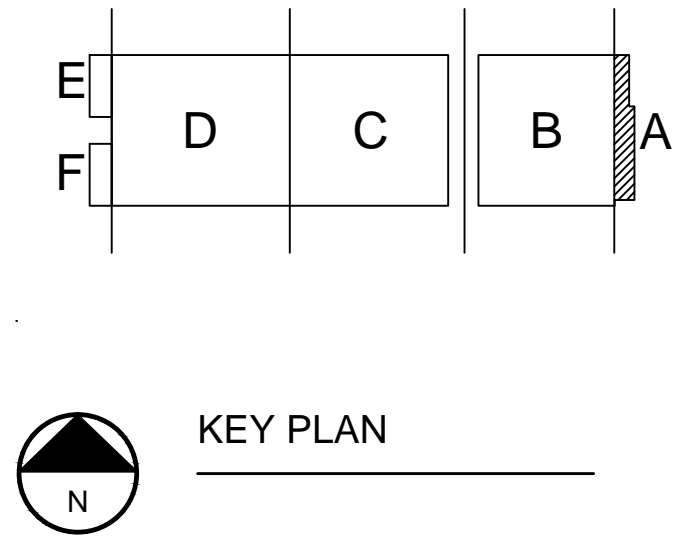


MATCH LINE -AREA A NORTH  
MATCH LINE -AREA A SOUTH

FIRST FLOOR REFLECTED CEILING PLAN - AREA A - NORTH  
SCALE: 1/8" = 1'-0"

FIRST FLOOR REFLECTED CEILING PLAN - AREA A - SOUTH  
SCALE: 1/8" = 1'-0"

MEZZANINE REFLECTED CEILING PLAN - AREA A - SOUTH  
SCALE: 1/8" = 1'-0"



DRAWING SET	CD
COPYRIGHT	2013
FILE NAME	2013027_02-A301A.DWG
REVISIONS	

DRAWN	MJ
CHECKED	RG
DATE	10-29-13
PROJECT NO.	2013027_02
PROJECT TITLE	

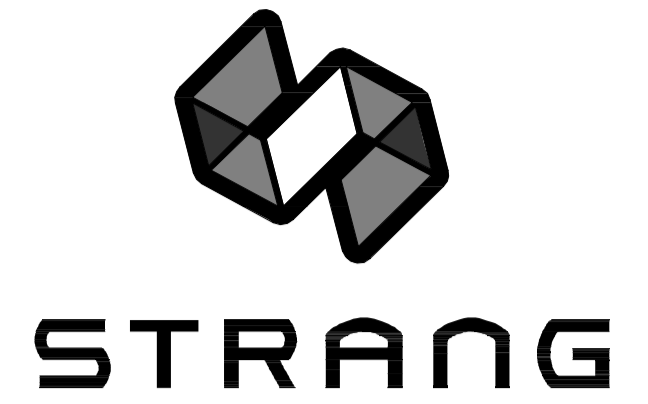
ALLIANT ENERGY CENTER PAVILIONS  
BID # 313072

1919 ALLIANT ENERGY CENTER WAY  
MADISON, WISCONSIN 53713

SHEET TITLE  
REFLECTED CEILING PLANS  
AREA A

SHEET NO.  
A301A

CARLOS RUIZ - 2/27/14 11:30 AM PL\_A301A.DWG - ALLIANT ENERGY CENTER LIBRSTOCK & EXHIBITION SPACE EXPANSION 2013027\_02 - ALLIANT ENERGY CENTER - LIBRSTOCK AND EXHIBITION HALL DRAWINGS 2013027\_02-A301A.DWG



ARCHITECTURE  
ENGINEERING  
INTERIOR DESIGN

STRANG INC.  
8411 MINERAL POINT ROAD  
MADISON, WI 53705-4395  
T/ 608 276 9200  
F/ 608 276 9244

REFLECTED CEILING PLAN LEGEND			
	CEILING HEIGHT LABEL		OCCUPANCY SENSOR
	LINEAR FLUORESCENT FIXTURE - RECESSED		HARD SERVICE DROP CORD
	2'X4' FLUORESCENT FIXTURE (RECESSED)		RETURN AIR GRILLE
	FLUORESCENT FIXTURE-STRIP		SUPPLY AIR DIFFUSER
	WALL MOUNTED SURFACE LIGHT		ACCESS PANEL
	RECESSED DOWNLIGHT		GYPSUM WALLBOARD OR PLASTER
	PENDANT FIXTURE		2'X2' ACOUSTICAL CEILING PANEL (ACP-3)
	EXIT LIGHT		12'X2'X48' ACOUSTICAL CEILING PANEL (ACP-1)
	CEILING-MOUNTED SPEAKER-STROBE		
	SELF-CONTAINED EMERGENCY LIGHTING UNIT		
	FIRE ALARM HORN-STROBES		
	FIRE ALARM STROBES		
	TRACK LIGHTING FIXTURE		

GENERAL REFLECTED CEILING PLAN NOTES	
1	ROOMS ARE OPEN TO STRUCTURE UNLESS SHOWN OTHERWISE.
2	LIGHT FIXTURES SHOWN FOR COORDINATION ONLY. SEE LIGHTING PLAN FOR FIXTURE INFORMATION.
3	SEE FP DRAWINGS FOR FIRE PROTECTION PLANS AND NOTES.
4	ALL ACP-1 TO BE MOUNTED 13"-9" AFF U.N.O. REFER TO DETAIL 19/A901.
5	ALTERNATE BID #2: ALL ACP-1 @ MEZZANINE LEVEL.

REFLECTED CEILING PLAN-SPECIFIC NOTES	
1	PROVIDE ACCESS PANEL, COORD. WITH MECH. DRAWINGS
2	SUSPENDED OPEN CEILING GRID SYSTEM WITH 10"-HIGH ALUMINUM PERIMETER TRIM, TYP.
3	WALL-MOUNTED LADDER TO ROOF
4	INSULATED ROOF HATCH.
5	EXTERIOR CANOPY BELOW.
6	EXTERIOR CANOPY ABOVE.
7	MOUNT TOP OF ACP-1 @ 2'-3" FROM BOTTOM OF CEILING STRUCTURE. SEE DETAIL 19/A901 FOR HANGING ANGLE. SEE SECTION 1/A501 FOR REFERENCE.
8	ROOF MOUNTED SKYLIGHT, TYP.
9	FABRIC DIFFUSER, TYP. - SEE MECHANICAL DWGS.
10	SUSPENDED LIGHT FIXTURE, TYP. - SEE ELECTRICAL DWGS.
11	SUPPLY OR WASTE/VENT PIPING, TYP. - SEE PLUMBING DWGS.
12	RADIANT HEATER, TYP. - SEE MECHANICAL DWGS.
13	PROVIDE STEEL EXTENSION AS DRAFT CURTAIN. SEE DETAIL 10/A901
14	PROVIDE SHADE POCKET. SEE DETAIL X/A90X

DRAWING SET	CD
COPYRIGHT	2013
FILE NAME	2013027_02-A301B.DWG
REVISIONS	

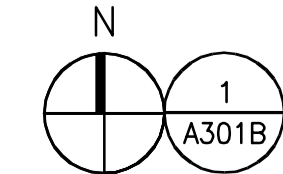
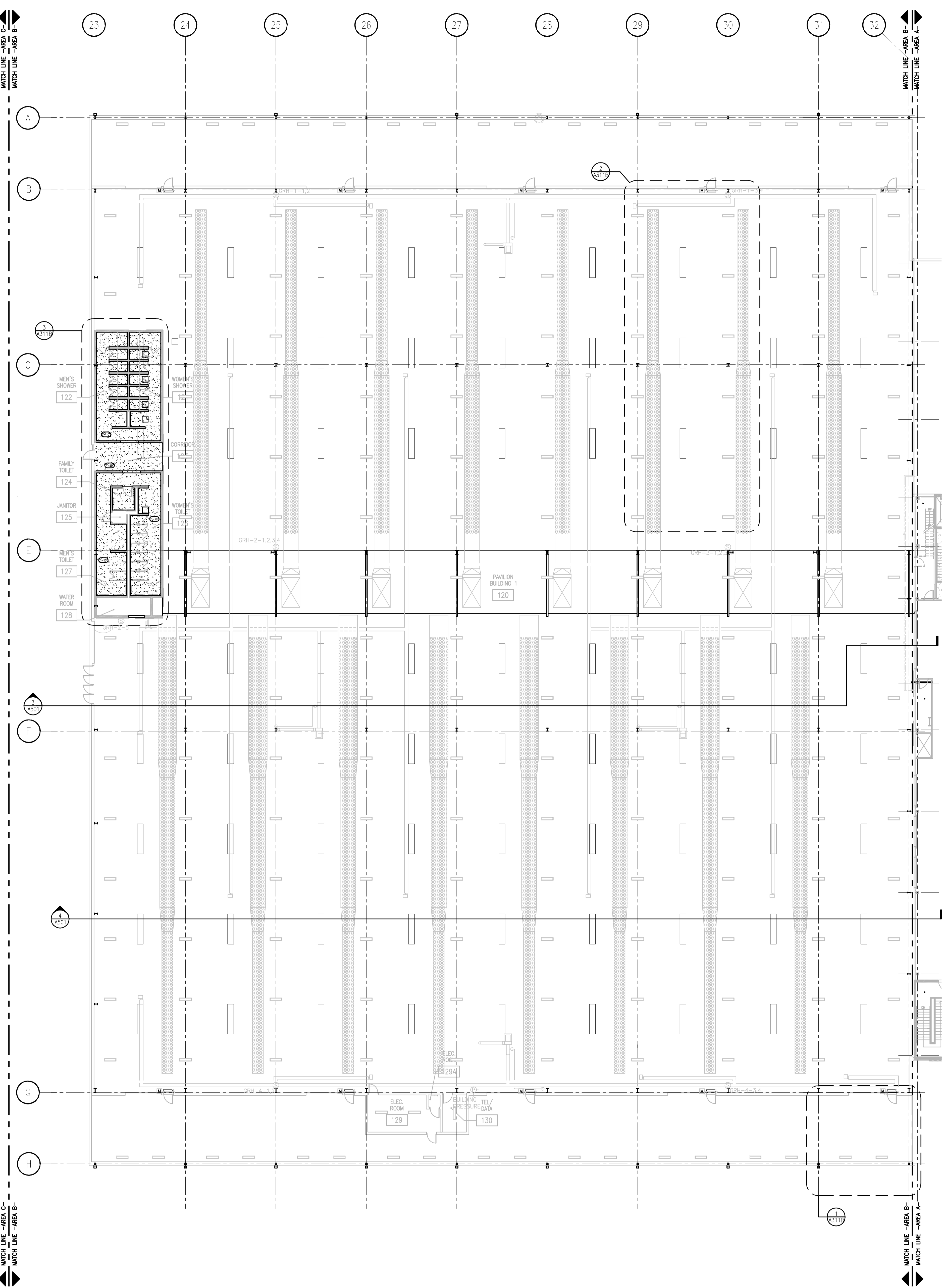
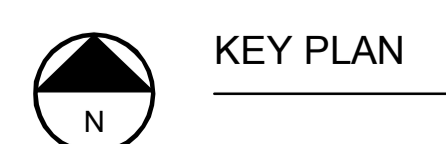
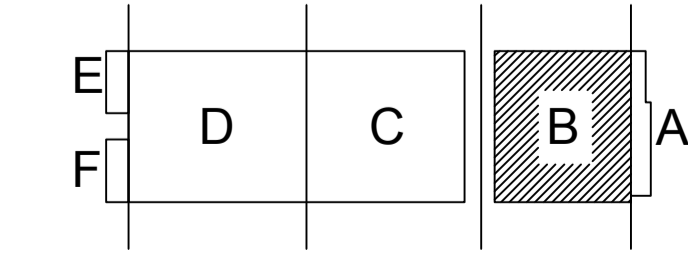
DRAWN	
CHECKED	RG
DATE	10-29-13
PROJECT NO.	2013027_02
PROJECT TITLE	

**ALLIANT ENERGY CENTER PAVILIONS  
BID # 313072**

1919 ALLIANT ENERGY CENTER WAY  
MADISON, WISCONSIN 53713

SHEET TITLE  
**FIRST FLOOR  
REFLECTED CEILING PLAN  
AREA B**

SHEET NO.  
**A301B**

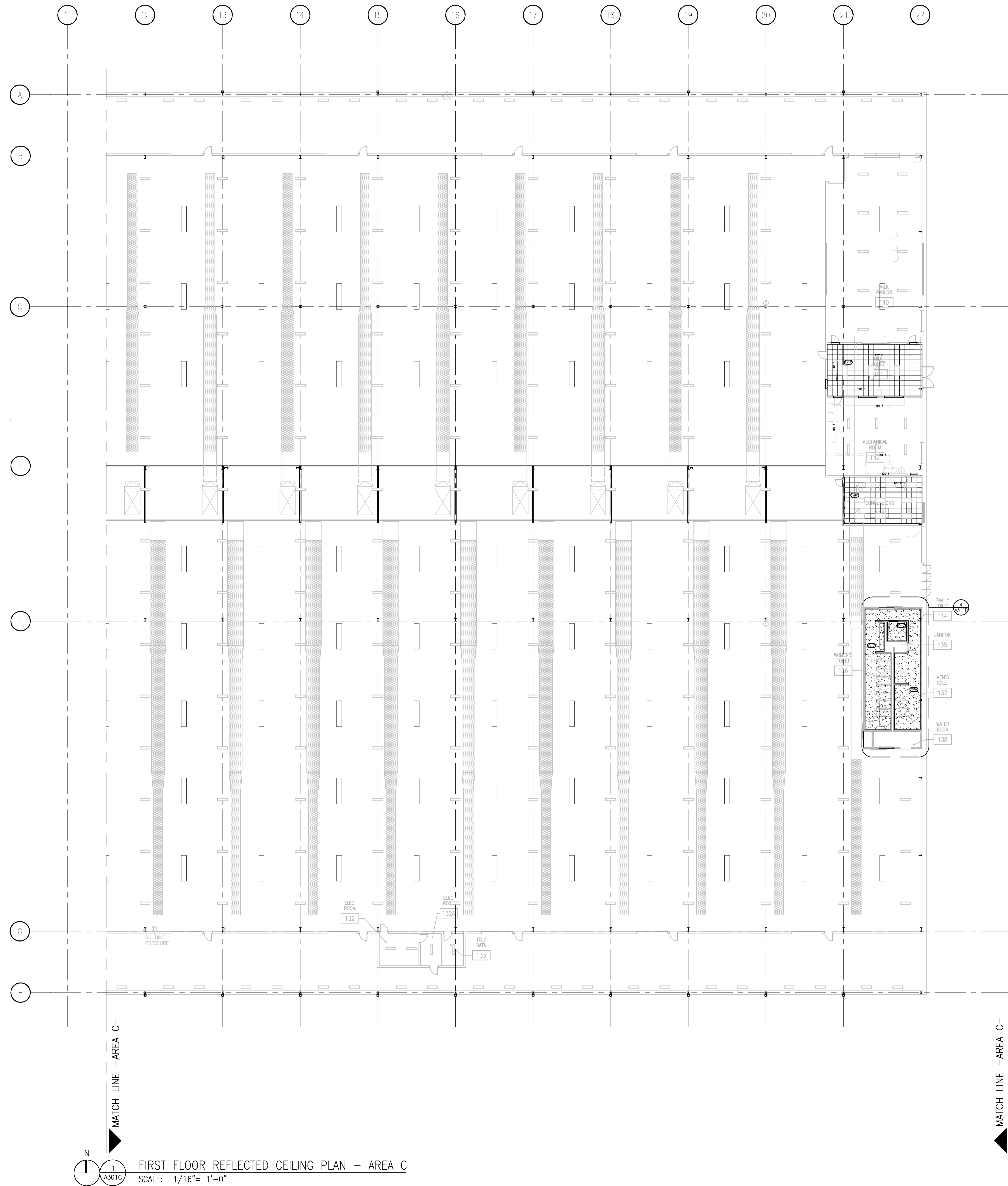


**FIRST FLOOR REFLECTED CEILING PLAN - AREA B**  
SCALE: 1/16" = 1'-0"

CARLOS RUIZ 2009-5-30 2:27 PM K:\2013027\_02-A301B.DWG  
ALLIANT ENERGY CENTER LIVESTOCK & EXHIBITION SPACE EXPANSION 2013027\_02 - ALLIANT ENERGY CENTER LIVESTOCK AND EXHIBITION HALLDRAWINGS2013027\_02-A301B.DWG  
DATE PLOTTED: 10/29/13 10:58:44 AM  
PLOTTER: HP DesignJet T1100PS  
SCALE: 1/16" = 1'-0"  
SHEET NO.: A301B



CARLOS RUIZ 2025-5-30 2:27 PM K:\\_2013027\_02-A301C-DWG  
 ALLIANT ENERGY CENTER LIVES TOCK & EXHIBITION SPACE EXPANSION 2013027\_02-A301C-DWG  
 ALLIANT ENERGY CENTER LIVES TOCK AND EXHIBITION HALL DRAWINGS 2013027\_02-A301C-DWG



REFLECTED CEILING PLAN LEGEND			
	CEILING HEIGHT LABEL		OCCUPANCY SENSOR
	LINEAR FLUORESCENT FIXTURE - RECESSED		HARD SERVICE DROP CORD
	2'X4' FLUORESCENT FIXTURE (RECESSED)		RETURN AIR GRILLE
	FLUORESCENT FIXTURE - STRIP		SUPPLY AIR DIFFUSER
	WALL MOUNTED SURFACE LIGHT		ACCESS PANEL
	RECESSED DOWNLIGHT		GYPSUM WALLBOARD OR PLASTER
	PENDANT FIXTURE		2'X2' ACOUSTICAL CEILING PANEL (ACP-3)
	EXIT LIGHT		12'X2'X48' ACOUSTICAL CEILING PANEL (ACP-1)
	CEILING-MOUNTED SPEAKER-STROBE		
	SELF-CONTAINED EMERGENCY LIGHTING UNIT		
	FIRE ALARM HORN-STROBES		
	FIRE ALARM STROBES		
	TRACK LIGHTING FIXTURE		

GENERAL REFLECTED CEILING PLAN NOTES	
1	ROOMS ARE OPEN TO STRUCTURE UNLESS SHOWN OTHERWISE.
2	LIGHT FIXTURES SHOWN FOR COORDINATION ONLY. SEE LIGHTING PLAN FOR FIXTURE INFORMATION.
3	SEE FP DRAWINGS FOR FIRE PROTECTION PLANS AND NOTES.
4	ALL ACP-1 TO BE MOUNTED 13"-9" AFF U.O.D. REFER TO DETAIL 19/A901.
5	ALTERNATE BID #2: ALL ACP-1 @ MEZZANINE LEVEL.

REFLECTED CEILING PLAN-SPECIFIC NOTES	
1	PROVIDE ACCESS PANEL, COORD. WITH MECH. DRAWINGS.
2	SUSPENDED OPEN CEILING GRID SYSTEM WITH 10"-HIGH ALUMINUM PERIMETER TRIM, TYP.
3	WALL-MOUNTED LADDER TO ROOF.
4	INSULATED ROOF HATCH.
5	EXTERIOR CANOPY BELOW.
6	EXTERIOR CANOPY ABOVE.
7	MOUNT TOP OF ACP-1 @ 2'-3" FROM BOTTOM OF CEILING STRUCTURE. SEE DETAIL 19/A901 FOR HANGING ANGLE. SEE SECTION 1/A501 FOR REFERENCE.
8	ROOF MOUNTED SKYLIGHT, TYP.
9	FABRIC DIFFUSER, TYP. - SEE MECHANICAL DWGS.
10	SUSPENDED LIGHT FIXTURE, TYP. - SEE ELECTRICAL DWGS.
11	SUPPLY OR WASTE/VENT PIPING, TYP. - SEE PLUMBING DWGS.
12	RADIANT HEATER, TYP. - SEE MECHANICAL DWGS.
13	PROVIDE STEEL EXTENSION AS DRAFT CURTAIN. SEE DETAIL 10/A901.
14	PROVIDE SHADE POCKET. SEE DETAIL X/A90X.



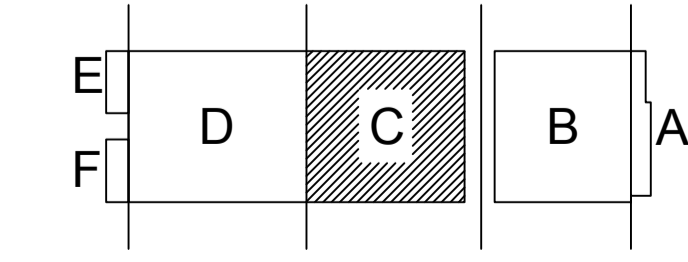
STRANG INC.  
8413 MINERAL POINT ROAD  
MADISON, WI 53705-4395  
T/ 608 276 9200  
F/ 608 276 9204

DRAWING SET	CD
COPYRIGHT	2013
FILE NAME	2013027_02 A301C.DWG

REVISIONS	

DRAWN  
CHECKED RG  
DATE 10-29-13  
PROJECT NO. 2013027\_02  
PROJECT TITLE

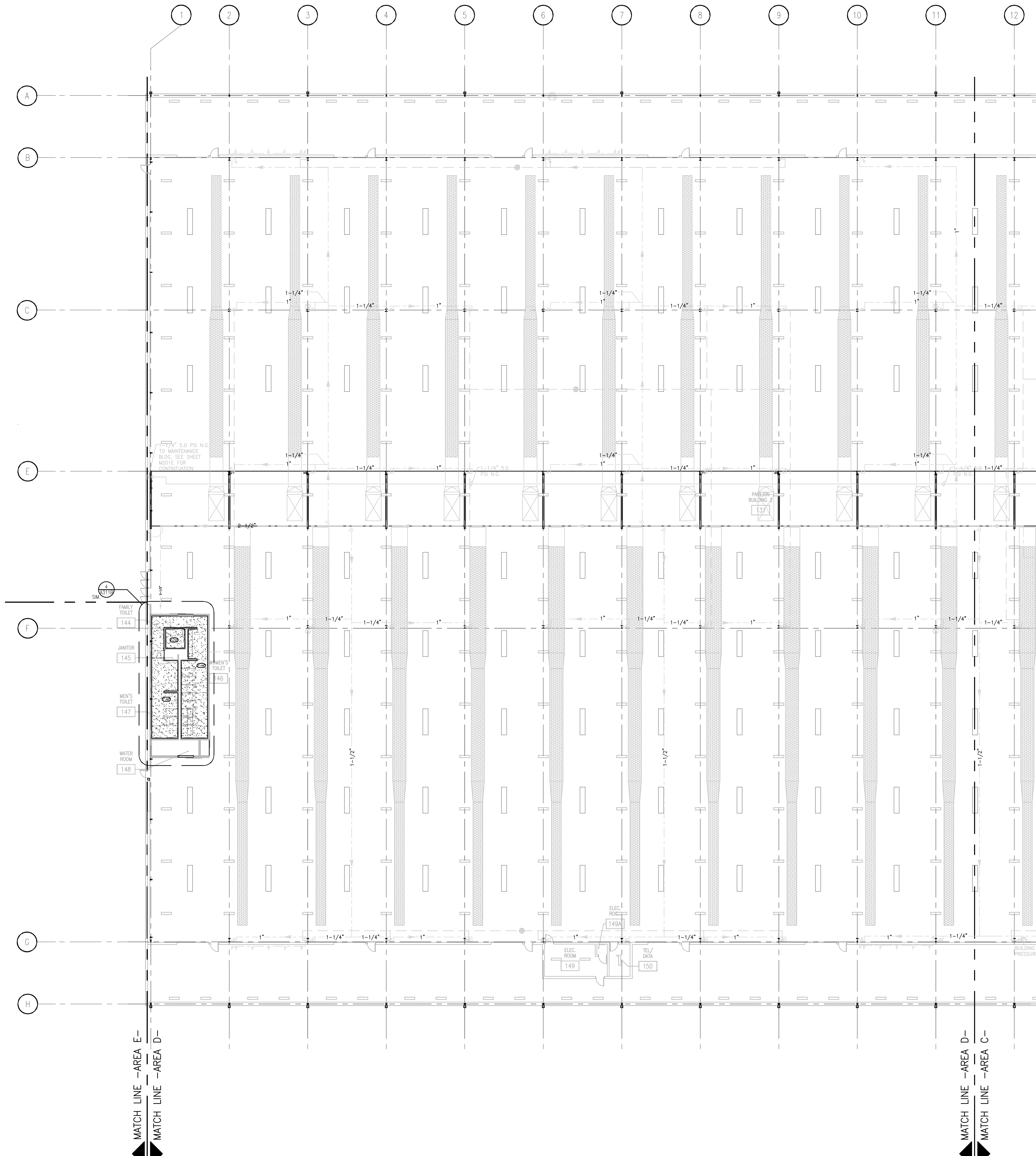
1919 ALLIANT ENERGY CENTER WAY  
MADISON, WISCONSIN 53713



SHEET TITLE  
**FIRST FLOOR REFLECTED CEILING PLAN AREA C**



SHEET NO.  
**A301C**



REFLECTED CEILING PLAN LEGEND	
	CEILING HEIGHT LABEL
	LINEAR FLUORESCENT FIXTURE - RECESSED
	2'x4' FLUORESCENT FIXTURE (RECESSED)
	FLUORESCENT FIXTURE - STRIP
	WALL MOUNTED SURFACE LIGHT
	RECESSED DOWNLIGHT
	PENDANT FIXTURE
	EXIT LIGHT
	CEILING-MOUNTED SPEAKER-STROBE
	SELF-CONTAINED EMERGENCY LIGHTING UNIT
	FIRE ALARM HORN-STROBES
	FIRE ALARM STROBES
	TRACK LIGHTING FIXTURE
	OCCUPANCY SENSOR
	DROP HARD SERVICE DROP CORD
	RETURN AIR GRILLE
	SUPPLY AIR DIFFUSER
	ACCESS PANEL
	GYPSUM WALLBOARD OR PLASTER
	2'x2' ACOUSTICAL CEILING PANEL (ACP-3)
	12'x2'x48\"/>

GENERAL REFLECTED CEILING PLAN NOTES	
1	ROOMS ARE OPEN TO STRUCTURE UNLESS SHOWN OTHERWISE.
2	LIGHT FIXTURES SHOWN FOR COORDINATION ONLY. SEE LIGHTING PLAN FOR FIXTURE INFORMATION.
3	SEE FP DRAWINGS FOR FIRE PROTECTION PLANS AND NOTES.
4	ALL ACP-1 TO BE MOUNTED 13\"/>
5	ALTERNATE BID #2: ALL ACP-1 @ MEZZANINE LEVEL.

REFLECTED CEILING PLAN - SPECIFIC NOTES	
1	PROVIDE ACCESS PANEL, COORD. WITH MECH. DRAWINGS
2	SUSPENDED OPEN CEILING GRID SYSTEM WITH 10\"/>
3	WALL-MOUNTED LADDER TO ROOF
4	INSULATED ROOF HATCH
5	EXTERIOR CANOPY BELOW
6	EXTERIOR CANOPY ABOVE
7	MOUNT TOP OF ACP-1 @ 2\"/>
8	ROOF MOUNTED SKYLIGHT, TYP.
9	FABRIC DIFFUSER, TYP. - SEE MECHANICAL DWGS.
10	SUSPENDED LIGHT FIXTURE, TYP. - SEE ELECTRICAL DWGS.
11	SUPPLY OR WASTE/VENT PIPING, TYP. - SEE PLUMBING DWGS.
12	RADIANT HEATER, TYP. - SEE MECHANICAL DWGS.
13	PROVIDE STEEL EXTENSION AS DRAFT CURTAIN. SEE DETAIL 10/A901
14	PROVIDE SHADE POCKET; SEE DETAIL X/A90X



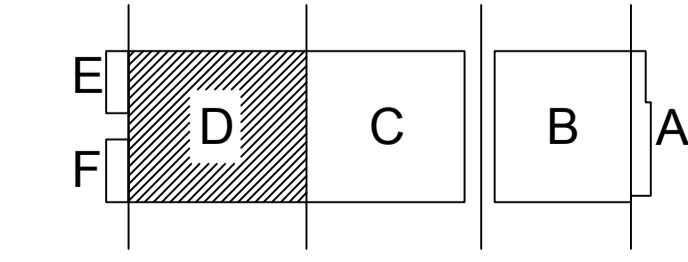
CARLOS RUZ 2009-5-30 2:27 PM K:\2013\313027 - ALLIANT ENERGY CENTER LIVESTOCK & EXHIBITION SPACE EXPANSION\2013027\_02 - ALLIANT ENERGY CENTER LIVESTOCK AND EXHIBITION HALL\DRAWINGS\2013027\_02-A301D.DWG  
 01/10/2013 10:00:00 AM  
 02/10/2013 10:00:00 AM  
 03/10/2013 10:00:00 AM  
 04/10/2013 10:00:00 AM  
 05/10/2013 10:00:00 AM  
 06/10/2013 10:00:00 AM  
 07/10/2013 10:00:00 AM  
 08/10/2013 10:00:00 AM  
 09/10/2013 10:00:00 AM  
 10/10/2013 10:00:00 AM  
 11/10/2013 10:00:00 AM  
 12/10/2013 10:00:00 AM  
 01/11/2013 10:00:00 AM  
 02/11/2013 10:00:00 AM  
 03/11/2013 10:00:00 AM  
 04/11/2013 10:00:00 AM  
 05/11/2013 10:00:00 AM  
 06/11/2013 10:00:00 AM  
 07/11/2013 10:00:00 AM  
 08/11/2013 10:00:00 AM  
 09/11/2013 10:00:00 AM  
 10/11/2013 10:00:00 AM  
 11/11/2013 10:00:00 AM  
 12/11/2013 10:00:00 AM  
 01/12/2013 10:00:00 AM  
 02/12/2013 10:00:00 AM  
 03/12/2013 10:00:00 AM  
 04/12/2013 10:00:00 AM  
 05/12/2013 10:00:00 AM  
 06/12/2013 10:00:00 AM  
 07/12/2013 10:00:00 AM  
 08/12/2013 10:00:00 AM  
 09/12/2013 10:00:00 AM  
 10/12/2013 10:00:00 AM  
 11/12/2013 10:00:00 AM  
 12/12/2013 10:00:00 AM  
 01/13/2013 10:00:00 AM  
 02/13/2013 10:00:00 AM  
 03/13/2013 10:00:00 AM  
 04/13/2013 10:00:00 AM  
 05/13/2013 10:00:00 AM  
 06/13/2013 10:00:00 AM  
 07/13/2013 10:00:00 AM  
 08/13/2013 10:00:00 AM  
 09/13/2013 10:00:00 AM  
 10/13/2013 10:00:00 AM  
 11/13/2013 10:00:00 AM  
 12/13/2013 10:00:00 AM  
 01/14/2013 10:00:00 AM  
 02/14/2013 10:00:00 AM  
 03/14/2013 10:00:00 AM  
 04/14/2013 10:00:00 AM  
 05/14/2013 10:00:00 AM  
 06/14/2013 10:00:00 AM  
 07/14/2013 10:00:00 AM  
 08/14/2013 10:00:00 AM  
 09/14/2013 10:00:00 AM  
 10/14/2013 10:00:00 AM  
 11/14/2013 10:00:00 AM  
 12/14/2013 10:00:00 AM  
 01/15/2013 10:00:00 AM  
 02/15/2013 10:00:00 AM  
 03/15/2013 10:00:00 AM  
 04/15/2013 10:00:00 AM  
 05/15/2013 10:00:00 AM  
 06/15/2013 10:00:00 AM  
 07/15/2013 10:00:00 AM  
 08/15/2013 10:00:00 AM  
 09/15/2013 10:00:00 AM  
 10/15/2013 10:00:00 AM  
 11/15/2013 10:00:00 AM  
 12/15/2013 10:00:00 AM  
 01/16/2013 10:00:00 AM  
 02/16/2013 10:00:00 AM  
 03/16/2013 10:00:00 AM  
 04/16/2013 10:00:00 AM  
 05/16/2013 10:00:00 AM  
 06/16/2013 10:00:00 AM  
 07/16/2013 10:00:00 AM  
 08/16/2013 10:00:00 AM  
 09/16/2013 10:00:00 AM  
 10/16/2013 10:00:00 AM  
 11/16/2013 10:00:00 AM  
 12/16/2013 10:00:00 AM  
 01/17/2013 10:00:00 AM  
 02/17/2013 10:00:00 AM  
 03/17/2013 10:00:00 AM  
 04/17/2013 10:00:00 AM  
 05/17/2013 10:00:00 AM  
 06/17/2013 10:00:00 AM  
 07/17/2013 10:00:00 AM  
 08/17/2013 10:00:00 AM  
 09/17/2013 10:00:00 AM  
 10/17/2013 10:00:00 AM  
 11/17/2013 10:00:00 AM  
 12/17/2013 10:00:00 AM  
 01/18/2013 10:00:00 AM  
 02/18/2013 10:00:00 AM  
 03/18/2013 10:00:00 AM  
 04/18/2013 10:00:00 AM  
 05/18/2013 10:00:00 AM  
 06/18/2013 10:00:00 AM  
 07/18/2013 10:00:00 AM  
 08/18/2013 10:00:00 AM  
 09/18/2013 10:00:00 AM  
 10/18/2013 10:00:00 AM  
 11/18/2013 10:00:00 AM  
 12/18/2013 10:00:00 AM  
 01/19/2013 10:00:00 AM  
 02/19/2013 10:00:00 AM  
 03/19/2013 10:00:00 AM  
 04/19/2013 10:00:00 AM  
 05/19/2013 10:00:00 AM  
 06/19/2013 10:00:00 AM  
 07/19/2013 10:00:00 AM  
 08/19/2013 10:00:00 AM  
 09/19/2013 10:00:00 AM  
 10/19/2013 10:00:00 AM  
 11/19/2013 10:00:00 AM  
 12/19/2013 10:00:00 AM  
 01/20/2013 10:00:00 AM  
 02/20/2013 10:00:00 AM  
 03/20/2013 10:00:00 AM  
 04/20/2013 10:00:00 AM  
 05/20/2013 10:00:00 AM  
 06/20/2013 10:00:00 AM  
 07/20/2013 10:00:00 AM  
 08/20/2013 10:00:00 AM  
 09/20/2013 10:00:00 AM  
 10/20/2013 10:00:00 AM  
 11/20/2013 10:00:00 AM  
 12/20/2013 10:00:00 AM  
 01/21/2013 10:00:00 AM  
 02/21/2013 10:00:00 AM  
 03/21/2013 10:00:00 AM  
 04/21/2013 10:00:00 AM  
 05/21/2013 10:00:00 AM  
 06/21/2013 10:00:00 AM  
 07/21/2013 10:00:00 AM  
 08/21/2013 10:00:00 AM  
 09/21/2013 10:00:00 AM  
 10/21/2013 10:00:00 AM  
 11/21/2013 10:00:00 AM  
 12/21/2013 10:00:00 AM  
 01/22/2013 10:00:00 AM  
 02/22/2013 10:00:00 AM  
 03/22/2013 10:00:00 AM  
 04/22/2013 10:00:00 AM  
 05/22/2013 10:00:00 AM  
 06/22/2013 10:00:00 AM  
 07/22/2013 10:00:00 AM  
 08/22/2013 10:00:00 AM  
 09/22/2013 10:00:00 AM  
 10/22/2013 10:00:00 AM  
 11/22/2013 10:00:00 AM  
 12/22/2013 10:00:00 AM  
 01/23/2013 10:00:00 AM  
 02/23/2013 10:00:00 AM  
 03/23/2013 10:00:00 AM  
 04/23/2013 10:00:00 AM  
 05/23/2013 10:00:00 AM  
 06/23/2013 10:00:00 AM  
 07/23/2013 10:00:00 AM  
 08/23/2013 10:00:00 AM  
 09/23/2013 10:00:00 AM  
 10/23/2013 10:00:00 AM  
 11/23/2013 10:00:00 AM  
 12/23/2013 10:00:00 AM  
 01/24/2013 10:00:00 AM  
 02/24/2013 10:00:00 AM  
 03/24/2013 10:00:00 AM  
 04/24/2013 10:00:00 AM  
 05/24/2013 10:00:00 AM  
 06/24/2013 10:00:00 AM  
 07/24/2013 10:00:00 AM  
 08/24/2013 10:00:00 AM  
 09/24/2013 10:00:00 AM  
 10/24/2013 10:00:00 AM  
 11/24/2013 10:00:00 AM  
 12/24/2013 10:00:00 AM  
 01/25/2013 10:00:00 AM  
 02/25/2013 10:00:00 AM  
 03/25/2013 10:00:00 AM  
 04/25/2013 10:00:00 AM  
 05/25/2013 10:00:00 AM  
 06/25/2013 10:00:00 AM  
 07/25/2013 10:00:00 AM  
 08/25/2013 10:00:00 AM  
 09/25/2013 10:00:00 AM  
 10/25/2013 10:00:00 AM  
 11/25/2013 10:00:00 AM  
 12/25/2013 10:00:00 AM  
 01/26/2013 10:00:00 AM  
 02/26/2013 10:00:00 AM  
 03/26/2013 10:00:00 AM  
 04/26/2013 10:00:00 AM  
 05/26/2013 10:00:00 AM  
 06/26/2013 10:00:00 AM  
 07/26/2013 10:00:00 AM  
 08/26/2013 10:00:00 AM  
 09/26/2013 10:00:00 AM  
 10/26/2013 10:00:00 AM  
 11/26/2013 10:00:00 AM  
 12/26/2013 10:00:00 AM  
 01/27/2013 10:00:00 AM  
 02/27/2013 10:00:00 AM  
 03/27/2013 10:00:00 AM  
 04/27/2013 10:00:00 AM  
 05/27/2013 10:00:00 AM  
 06/27/2013 10:00:00 AM  
 07/27/2013 10:00:00 AM  
 08/27/2013 10:00:00 AM  
 09/27/2013 10:00:00 AM  
 10/27/2013 10:00:00 AM  
 11/27/2013 10:00:00 AM  
 12/27/2013 10:00:00 AM  
 01/28/2013 10:00:00 AM  
 02/28/2013 10:00:00 AM  
 03/28/2013 10:00:00 AM  
 04/28/2013 10:00:00 AM  
 05/28/2013 10:00:00 AM  
 06/28/2013 10:00:00 AM  
 07/28/2013 10:00:00 AM  
 08/28/2013 10:00:00 AM  
 09/28/2013 10:00:00 AM  
 10/28/2013 10:00:00 AM  
 11/28/2013 10:00:00 AM  
 12/28/2013 10:00:00 AM  
 01/29/2013 10:00:00 AM  
 02/29/2013 10:00:00 AM  
 03/29/2013 10:00:00 AM  
 04/29/2013 10:00:00 AM  
 05/29/2013 10:00:00 AM  
 06/29/2013 10:00:00 AM  
 07/29/2013 10:00:00 AM  
 08/29/2013 10:00:00 AM  
 09/29/2013 10:00:00 AM  
 10/29/2013 10:00:00 AM  
 11/29/2013 10:00:00 AM  
 12/29/2013 10:00:00 AM  
 01/30/2013 10:00:00 AM  
 02/30/2013 10:00:00 AM  
 03/30/2013 10:00:00 AM  
 04/30/2013 10:00:00 AM  
 05/30/2013 10:00:00 AM  
 06/30/2013 10:00:00 AM  
 07/30/2013 10:00:00 AM  
 08/30/2013 10:00:00 AM  
 09/30/2013 10:00:00 AM  
 10/30/2013 10:00:00 AM  
 11/30/2013 10:00:00 AM  
 12/30/2013 10:00:00 AM  
 01/31/2013 10:00:00 AM  
 02/31/2013 10:00:00 AM  
 03/31/2013 10:00:00 AM  
 04/31/2013 10:00:00 AM  
 05/31/2013 10:00:00 AM  
 06/31/2013 10:00:00 AM  
 07/31/2013 10:00:00 AM  
 08/31/2013 10:00:00 AM  
 09/31/2013 10:00:00 AM  
 10/31/2013 10:00:00 AM  
 11/31/2013 10:00:00 AM  
 12/31/2013 10:00:00 AM

DRAWING SET	CD
COPYRIGHT	2013
FILE NAME	2013027_02-A301D.DWG
REVISIONS	

DRAWN	
CHECKED	RG
DATE	10-29-13
PROJECT NO.	2013027_02
PROJECT TITLE	

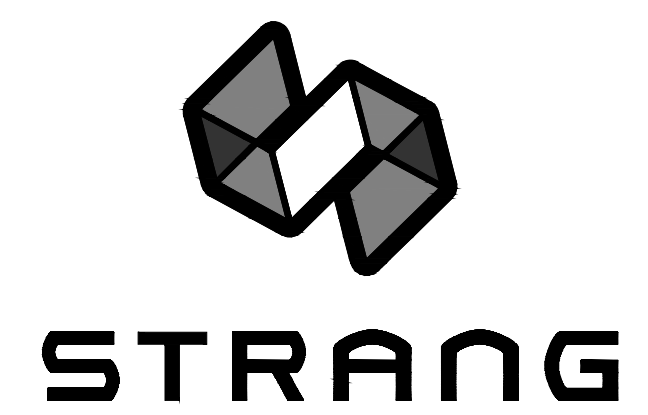
**ALLIANT ENERGY CENTER PAVILIONS  
 BID # 313027**

1919 ALLIANT ENERGY CENTER WAY  
 MADISON, WISCONSIN 53713



**FIRST FLOOR REFLECTED CEILING PLAN - AREA D**  
 SCALE: 1/16" = 1'-0"

SHEET TITLE  
**FIRST FLOOR  
 REFLECTED CEILING PLAN  
 AREA D**  
 SHEET NO.  
**A301D**



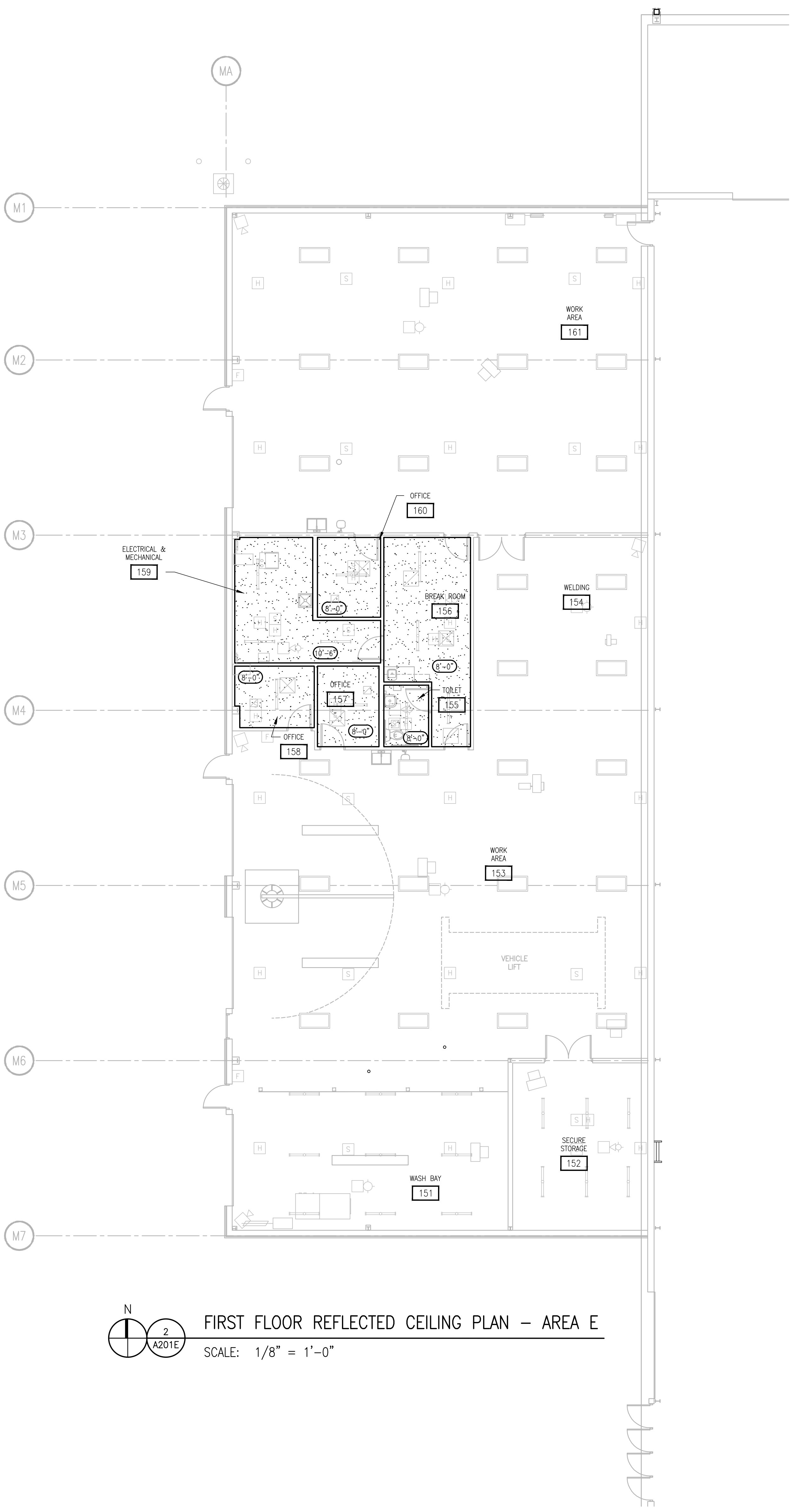
ARCHITECTURE  
ENGINEERING  
INTERIOR DESIGN

STRANG INC.  
6411 MINERAL POINT ROAD  
MADISON, WI 53705-4395  
T/ 608 276 9200  
F/ 608 276 9204

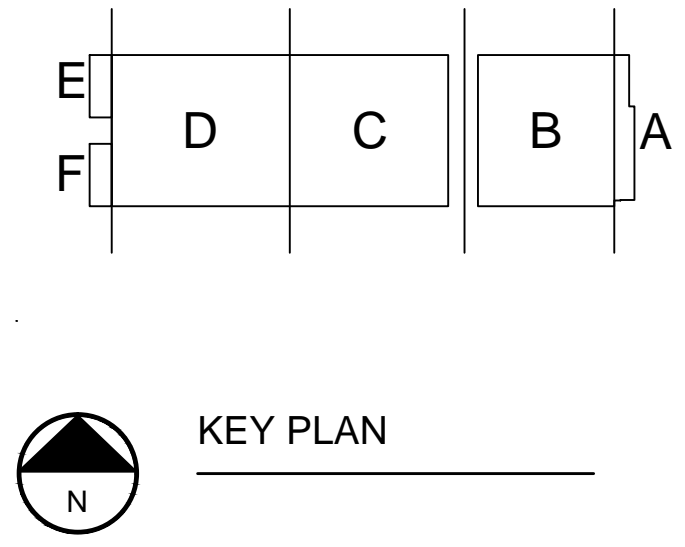
REFLECTED CEILING PLAN LEGEND	
	CEILING HEIGHT LABEL
	LINEAR FLUORESCENT FIXTURE - RECESSED
	2'X4' FLUORESCENT FIXTURE (RECESSED)
	FLUORESCENT FIXTURE-STRIP
	WALL MOUNTED SURFACE LIGHT
	RECESSED DOWNLIGHT
	PENDANT FIXTURE
	EXIT LIGHT
	CEILING-MOUNTED SPEAKER-STROBE
	SELF-CONTAINED EMERGENCY LIGHTING UNIT
	FIRE ALARM HORN/STROBES
	FIRE ALARM STROBES
	TRACK LIGHTING FIXTURE
	OCCUPANCY SENSOR
	DROP HARD SERVICE DROP CORD
	RETURN AIR GRILLE
	SUPPLY AIR DIFFUSER
	ACCESS PANEL
	GYPSUM WALLBOARD OR PLASTER
	2'X2' ACOUSTICAL CEILING PANEL (ACP-3)
	12'X2'X48' ACOUSTICAL CEILING PANEL (ACP-1)

GENERAL REFLECTED CEILING PLAN NOTES	
1	ROOMS ARE OPEN TO STRUCTURE UNLESS SHOWN OTHERWISE.
2	LIGHT FIXTURES SHOWN FOR COORDINATION ONLY. SEE LIGHTING PLAN FOR FIXTURE INFORMATION.
3	SEE FP DRAWINGS FOR FIRE PROTECTION PLANS AND NOTES.
4	ALL ACP-1 TO BE MOUNTED 13'-9" AFF. U.N.D. REFER TO DETAIL 19/A901.
5	ALTERNATE BID #2: ALL ACP-1 @ MEZZANINE LEVEL.

REFLECTED CEILING PLAN-SPECIFIC NOTES	
1	PROVIDE ACCESS PANEL, COORD. WITH MECH. DRAWINGS.
2	SUSPENDED OPEN CEILING GRID SYSTEM WITH 10"-HIGH ALUMINUM PERIMETER TRIM, TYP.
3	WALL-MOUNTED LADDER TO ROOF.
4	INSULATED ROOF HATCH.
5	EXTERIOR CANOPY BELOW.
6	EXTERIOR CANOPY ABOVE.
7	MOUNT TOP OF ACP-1 @ 2'-3" FROM BOTTOM OF CEILING STRUCTURE. SEE DETAIL 19/A901 FOR HANGING ANGLE. SEE SECTION 1/A901 FOR REFERENCE.
8	ROOF MOUNTED SKYLIGHT, TYP.
9	FABRIC DIFFUSER, TYP. - SEE MECHANICAL DWGS.
10	SUSPENDED LIGHT FIXTURE, TYP. - SEE ELECTRICAL DWGS.
11	SUPPLY OR WASTE/VENT PIPING, TYP. - SEE PLUMBING DWGS.
12	RADIANT HEATER, TYP. - SEE MECHANICAL DWGS.
13	PROVIDE STEEL EXTENSION AS DRAFT CURTAIN. SEE DETAIL 10/A901
14	PROVIDE SHADE POCKET; SEE DETAIL X/A90X



N  
FIRST FLOOR REFLECTED CEILING PLAN - AREA E  
SCALE: 1/8" = 1'-0"



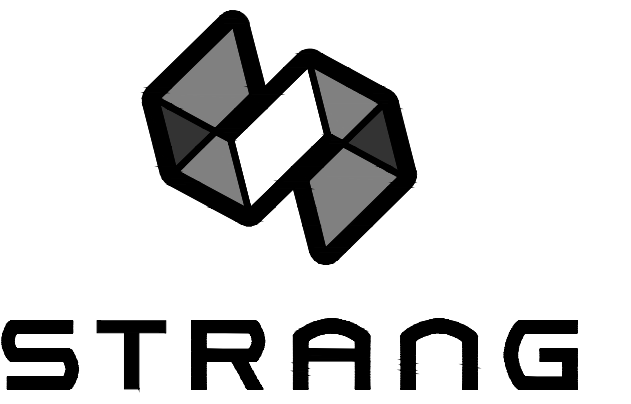
DRAWING SET	CD
COPYRIGHT	2013
FILE NAME	2013027_02-A301E.DWG
REVISIONS	
DRAWN	
CHECKED	RG
DATE	10-29-13
PROJECT NO.	2013027_02
PROJECT TITLE	

ALLIANT ENERGY CENTER PAVILIONS  
BID # 313072

1919 ALLIANT ENERGY CENTER WAY  
MADISON, WISCONSIN 53713

SHEET TITLE  
**FIRST FLOOR  
REFLECTED CEILING PLAN  
AREA E**

SHEET NO.  
**A301E**



ARCHITECTURE  
ENGINEERING  
INTERIOR DESIGN

STRANG INC.  
8411 MINERAL POINT ROAD  
MADISON, WI 53705-4395  
T/ 608 276 9200  
F/ 608 276 9204

### REFLECTED CEILING PLAN LEGEND

- |  |  |  |  |
|--|--|--|--|
|  | CEILING HEIGHT LABEL                   |  | OCCUPANCY SENSOR                             |
|  | LINEAR FLUORESCENT FIXTURE - RECESSED  |  | HARD SERVICE DROP CORD                       |
|  | 2x4 FLUORESCENT FIXTURE (RECESSED)     |  | RETURN AIR GRILLE                            |
|  | FLUORESCENT FIXTURE-STRIP              |  | SUPPLY AIR DIFFUSER                          |
|  | WALL MOUNTED SURFACE LIGHT             |  | ACCESS PANEL                                 |
|  | RECESSED DOWNLIGHT                     |  | GYPSUM WALLBOARD OR PLASTER                  |
|  | PENDANT FIXTURE                        |  | 2'x2' ACOUSTICAL CEILING PANEL (ACP-3)       |
|  | EXIT LIGHT                             |  | 12'x27'x48" ACOUSTICAL CEILING PANEL (ACP-1) |
|  | CEILING-MOUNTED SPEAKER-STROBE         |  |  |
|  | SELF-CONTAINED EMERGENCY LIGHTING UNIT |  |  |
|  | FIRE ALARM HORN/STROBES                |  |  |
|  | FIRE ALARM STROBES                     |  |  |
|  | TRACK LIGHTING FIXTURE                 |  |  |

### GENERAL REFLECTED CEILING PLAN NOTES

- ROOMS ARE OPEN TO STRUCTURE UNLESS SHOWN OTHERWISE.
- LIGHT FIXTURES SHOWN FOR COORDINATION ONLY. SEE LIGHTING PLAN FOR FIXTURE INFORMATION.
- SEE FP DRAWINGS FOR FIRE PROTECTION PLANS AND NOTES.
- ALL ACP-1 TO BE MOUNTED 13"-9" AFF U.N.O. REFER TO DETAIL 19/A901.
- ALTERNATE BID #2: ALL ACP-1 @ MEZZANINE LEVEL.

### REFLECTED CEILING PLAN-SPECIFIC NOTES

- PROVIDE ACCESS PANEL, COORD. WITH MECH. DRAWINGS.
- SUSPENDED OPEN CEILING GRID SYSTEM WITH 10"-HIGH ALUMINUM PERIMETER TRIM, TYP.
- WALL-MOUNTED LADDER TO ROOF.
- INSULATED ROOF HATCH.
- EXTERIOR CANOPY BELOW.
- EXTERIOR CANOPY ABOVE.
- MOUNT TOP OF ACP-1 @ 2'-3" FROM BOTTOM OF CEILING STRUCTURE; SEE DETAIL 19/A901 FOR HANGING ANGLE. SEE SECTION 1/A901 FOR REFERENCE.
- ROOF MOUNTED SKYLIGHT, TYP.
- FABRIC DIFFUSER, TYP. - SEE MECHANICAL DWGS.
- SUSPENDED LIGHT FIXTURE, TYP. - SEE ELECTRICAL DWGS.
- SUPPLY OR WASTE/VENT PIPING, TYP. - SEE PLUMBING DWGS.
- RADIANT HEATER, TYP. - SEE MECHANICAL DWGS.
- PROVIDE STEEL EXTENSION AS DRAFT CURTAIN. SEE DETAIL 10/A901
- PROVIDE SHADE POCKET; SEE DETAIL X/A90X

DRAWING SET CD

COPYRIGHT STRANG, INC. 2013

FILE NAME 2013027\_02-A311B.DWG

REVISIONS

DRAWN

CHECKED RG

DATE 10-29-13

PROJECT NO. 2013027\_02

PROJECT TITLE

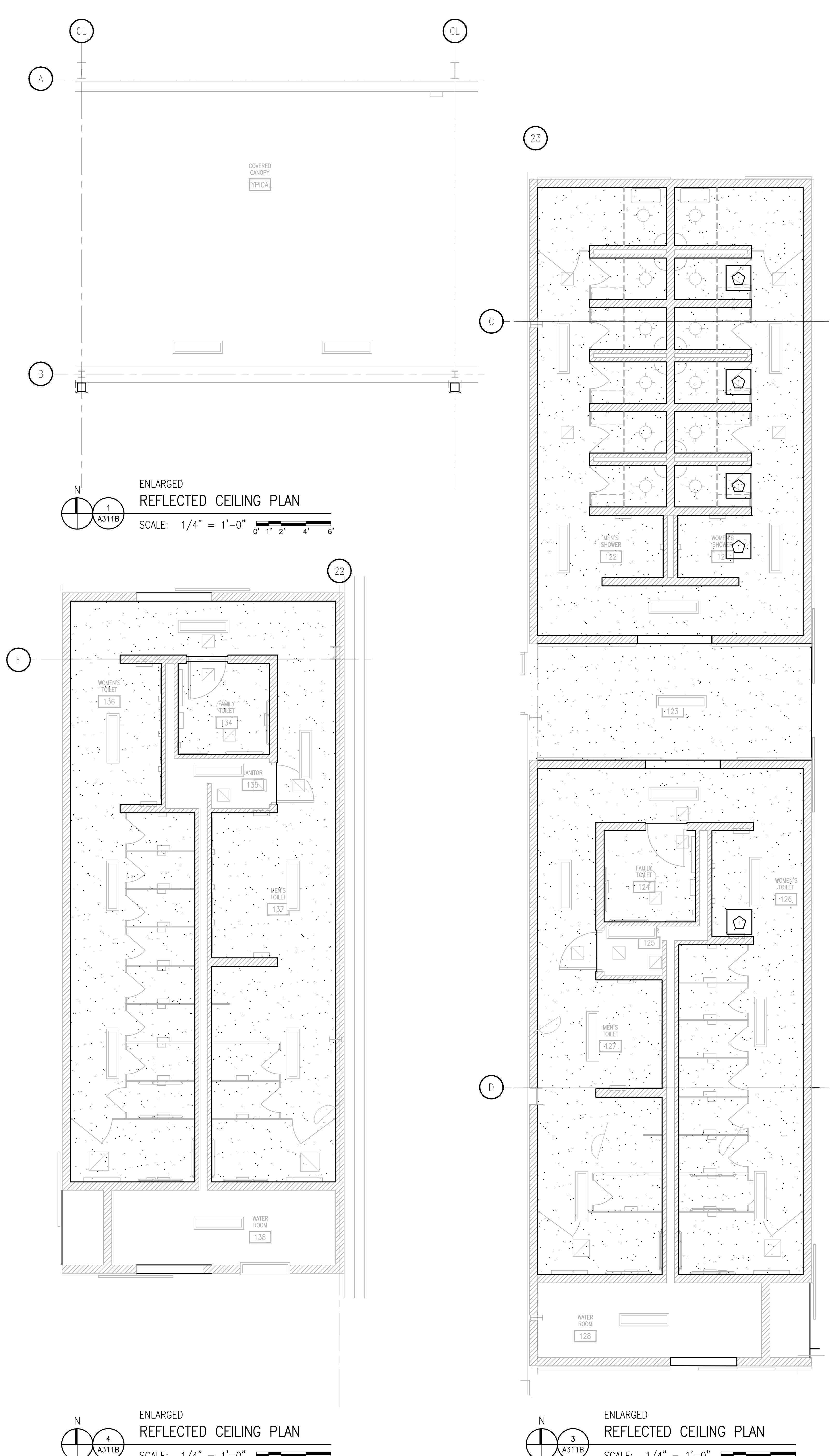
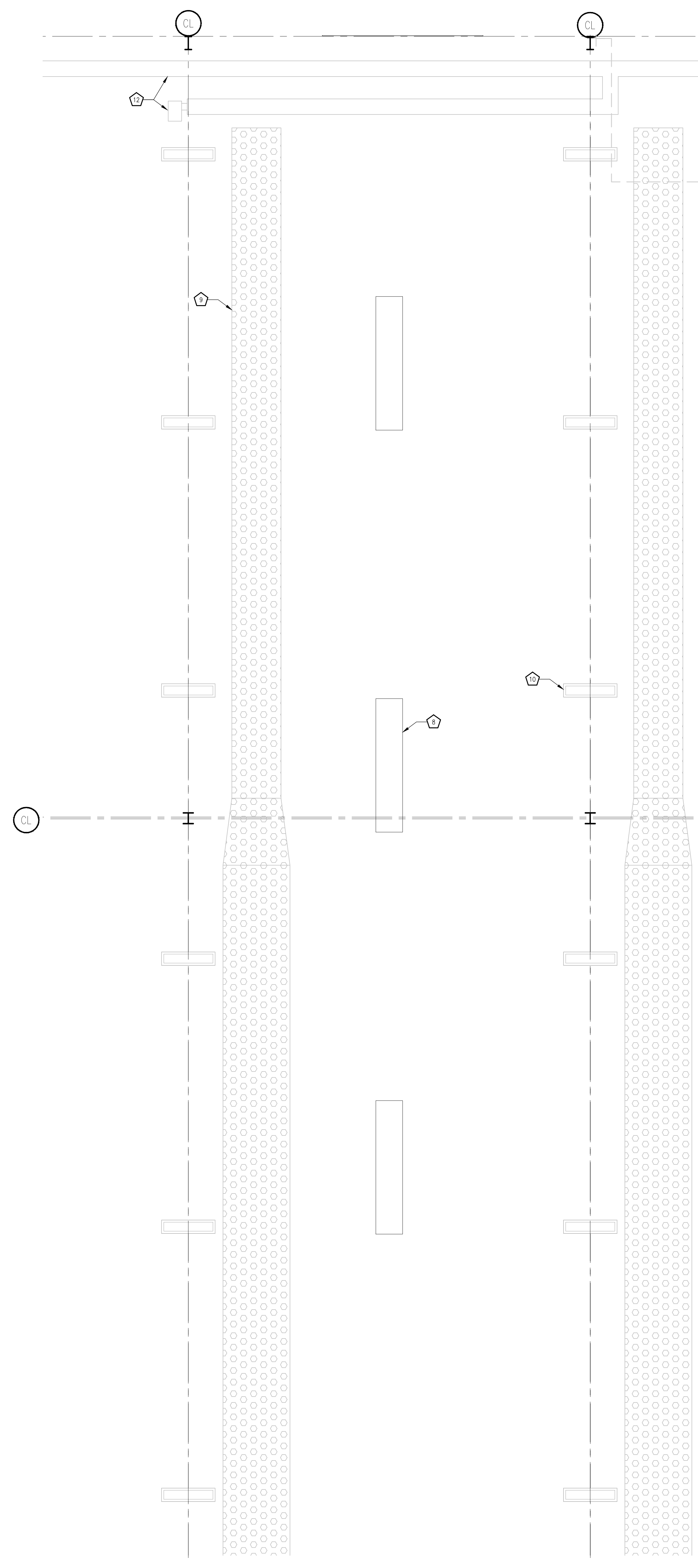
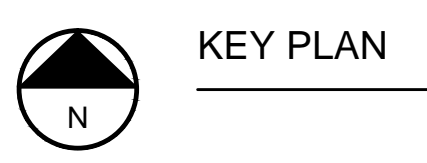
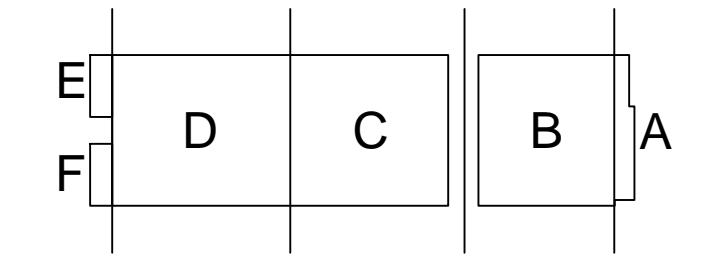
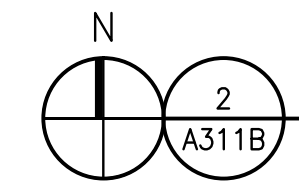
ALLIANT ENERGY CENTER PAVILIONS  
BID # 313072

1919 ALLIANT ENERGY CENTER WAY  
MADISON, WISCONSIN 53713

SHEET TITLE  
ENLARGED TYPICAL  
REFLECTED CEILING  
PLANS

SHEET NO.  
A311B

ENLARGED  
REFLECTED CEILING PLAN  
SCALE: 1/4" = 1'-0" 0' 1' 2' 4' 6'



ENLARGED REFLECTED CEILING PLAN

SCALE: 1/4" = 1'-0" 0' 1' 2' 4' 6'

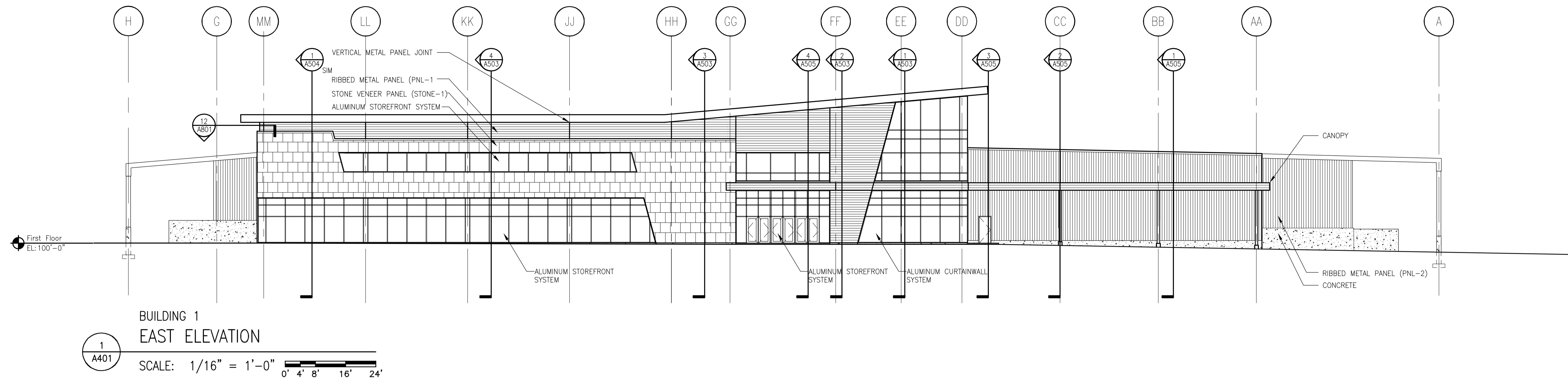
ENLARGED REFLECTED CEILING PLAN

SCALE: 1/4" = 1'-0" 0' 1' 2' 4' 6'

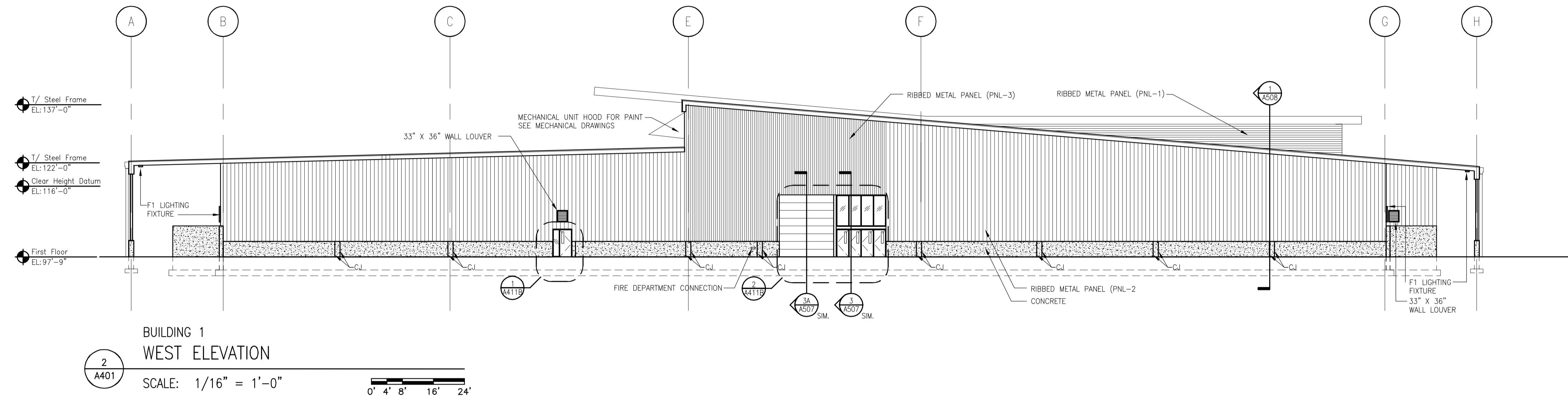
ENLARGED REFLECTED CEILING PLAN

SCALE: 1/4" = 1'-0" 0' 1' 2' 4' 6'

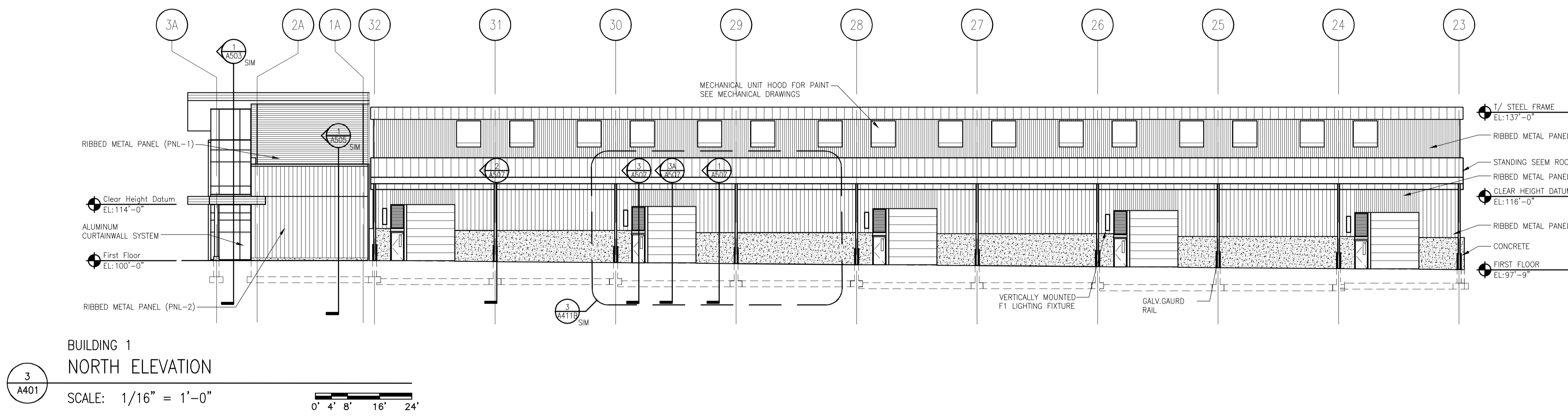
CARLOS RUIZ 2009-03-03 2:27 PM A:\2013027\_02-ALLIANT ENERGY CENTER- LIVES TOCK AND EXHIBITION HALL DRAWINGS\2013027\_02-A311B.DWG



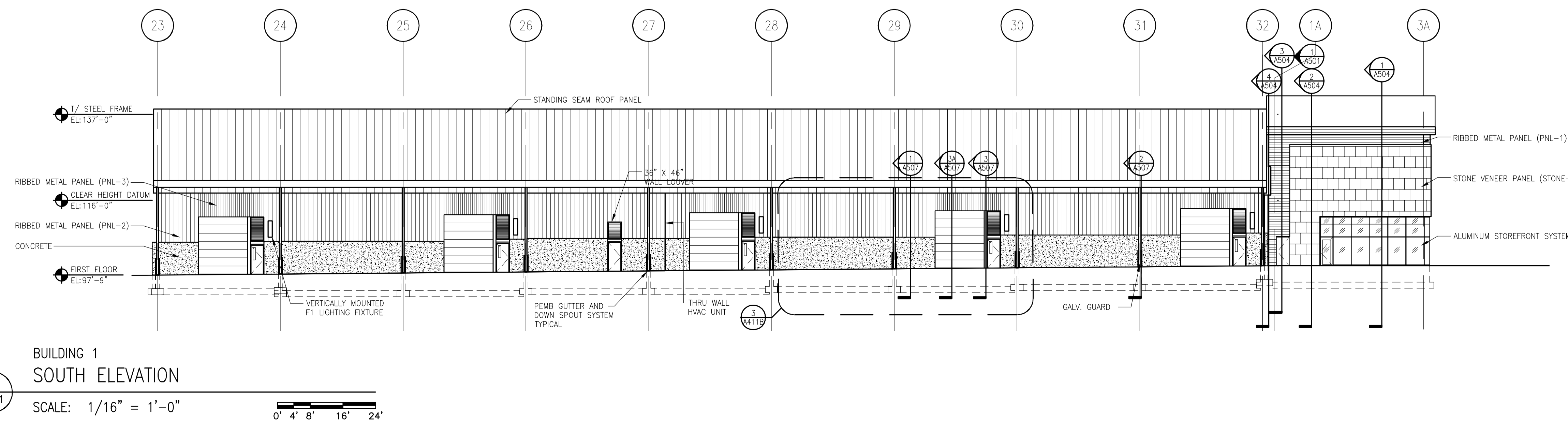
**BUILDING 1  
EAST ELEVATION**  
SCALE: 1/16" = 1'-0"  
0' 4' 8' 16' 24'



**BUILDING 1  
WEST ELEVATION**  
SCALE: 1/16" = 1'-0"  
0' 4' 8' 16' 24'

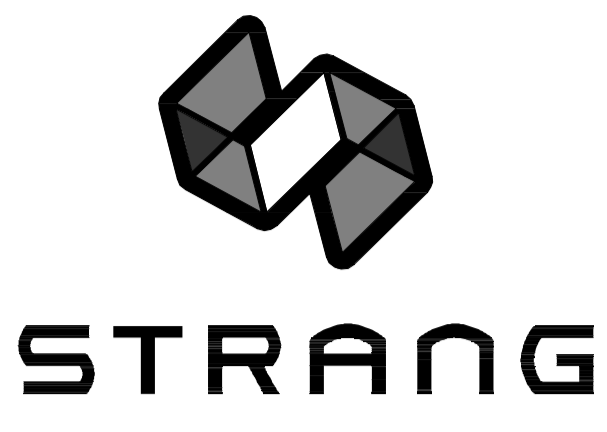


**BUILDING 1  
NORTH ELEVATION**  
SCALE: 1/16" = 1'-0"  
0' 4' 8' 16' 24'



**BUILDING 1  
SOUTH ELEVATION**  
SCALE: 1/16" = 1'-0"  
0' 4' 8' 16' 24'

- MATERIAL KEY**
- RIBBED METAL PANEL (PNL-1)
  - RIBBED METAL PANEL (PNL-2)
  - RIBBED METAL PANEL (PNL-3)
  - STANDING SEAM ROOF PANEL
  - STONE VENEER PANEL (STONE-1)
  - VISION GLASS-G1, UNO.
  - CONCRETE - SMOOTH RUBBED FINISH
  - GRATING



**ARCHITECTURE  
ENGINEERING  
INTERIOR DESIGN**

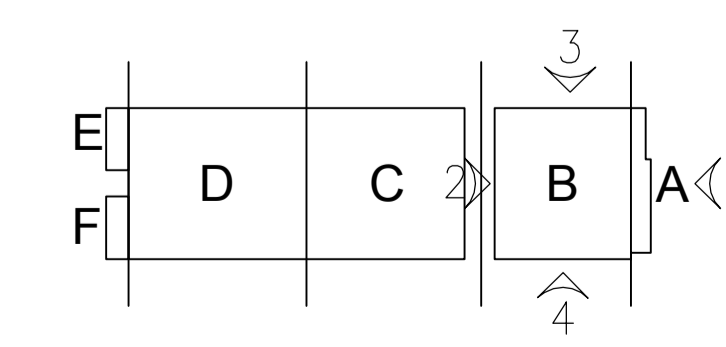
STRANG INC.  
8411 MINERAL POINT ROAD  
MADISON, WI 53705-4395  
T/ 608 276 9200  
F/ 608 276 9204

DRAWING SET	CD
COPYRIGHT	2013
FILE NAME	2013027_02-A401.DWG
REVISIONS	

DRAWN	TCL
CHECKED	RG
DATE	10-29-13
PROJECT NO.	2013027_02
PROJECT TITLE	

**ALLIANT ENERGY  
CENTER PAVILIONS  
BID # 313072**

1919 ALLIANT ENERGY CENTER WAY  
MADISON, WISCONSIN 53713



**KEY PLAN**

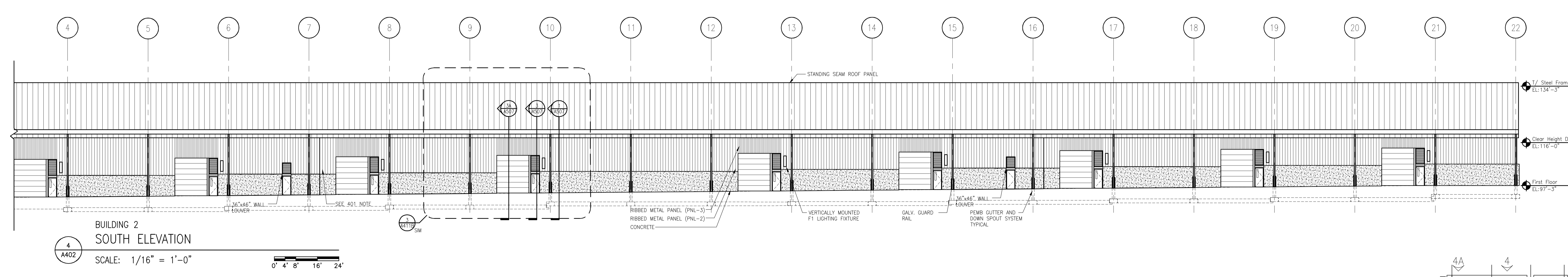
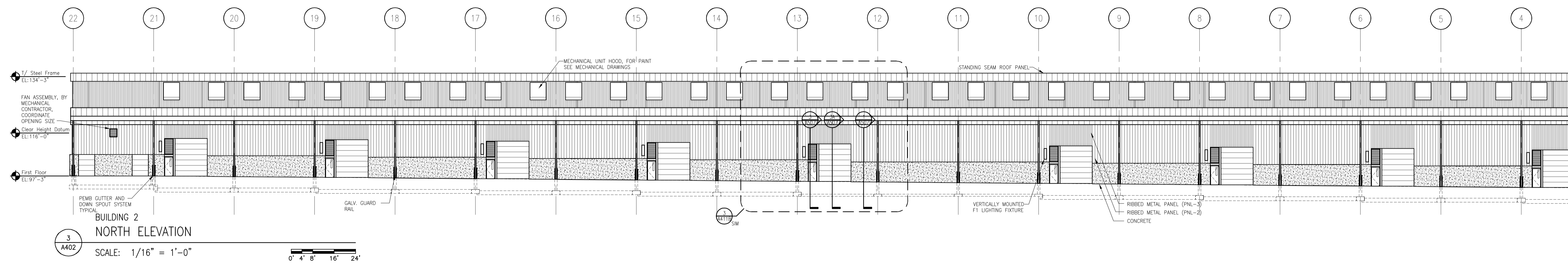
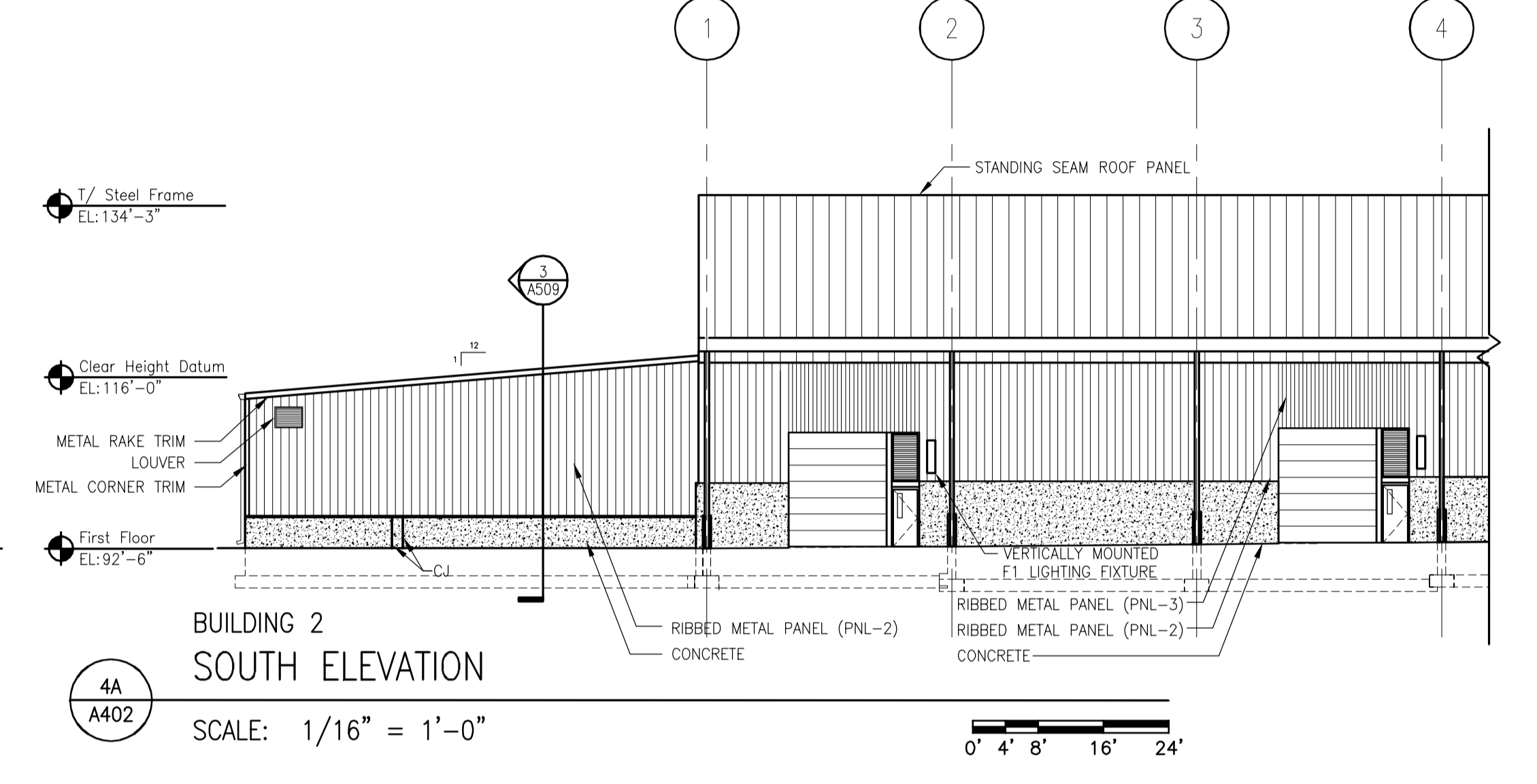
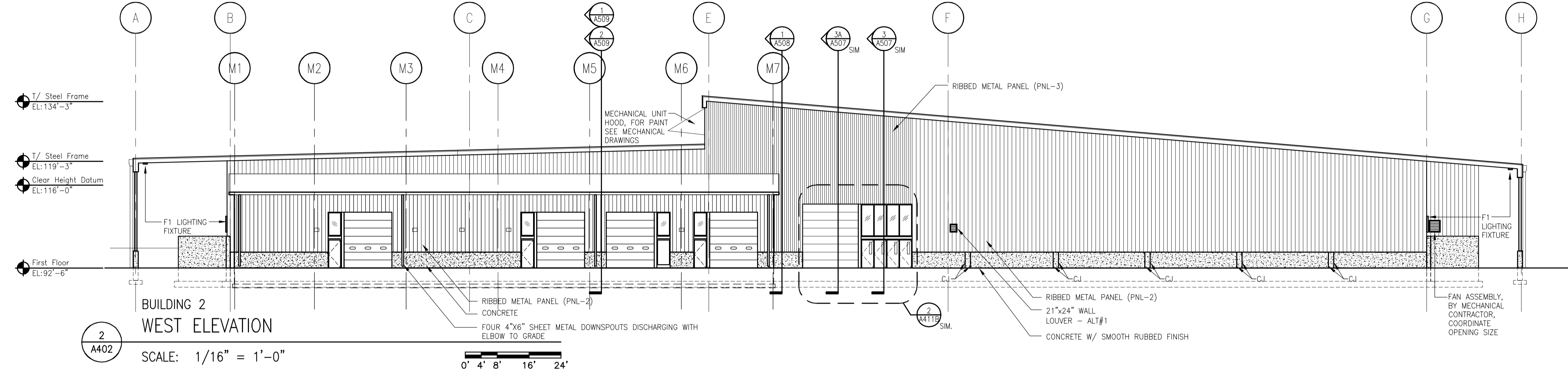
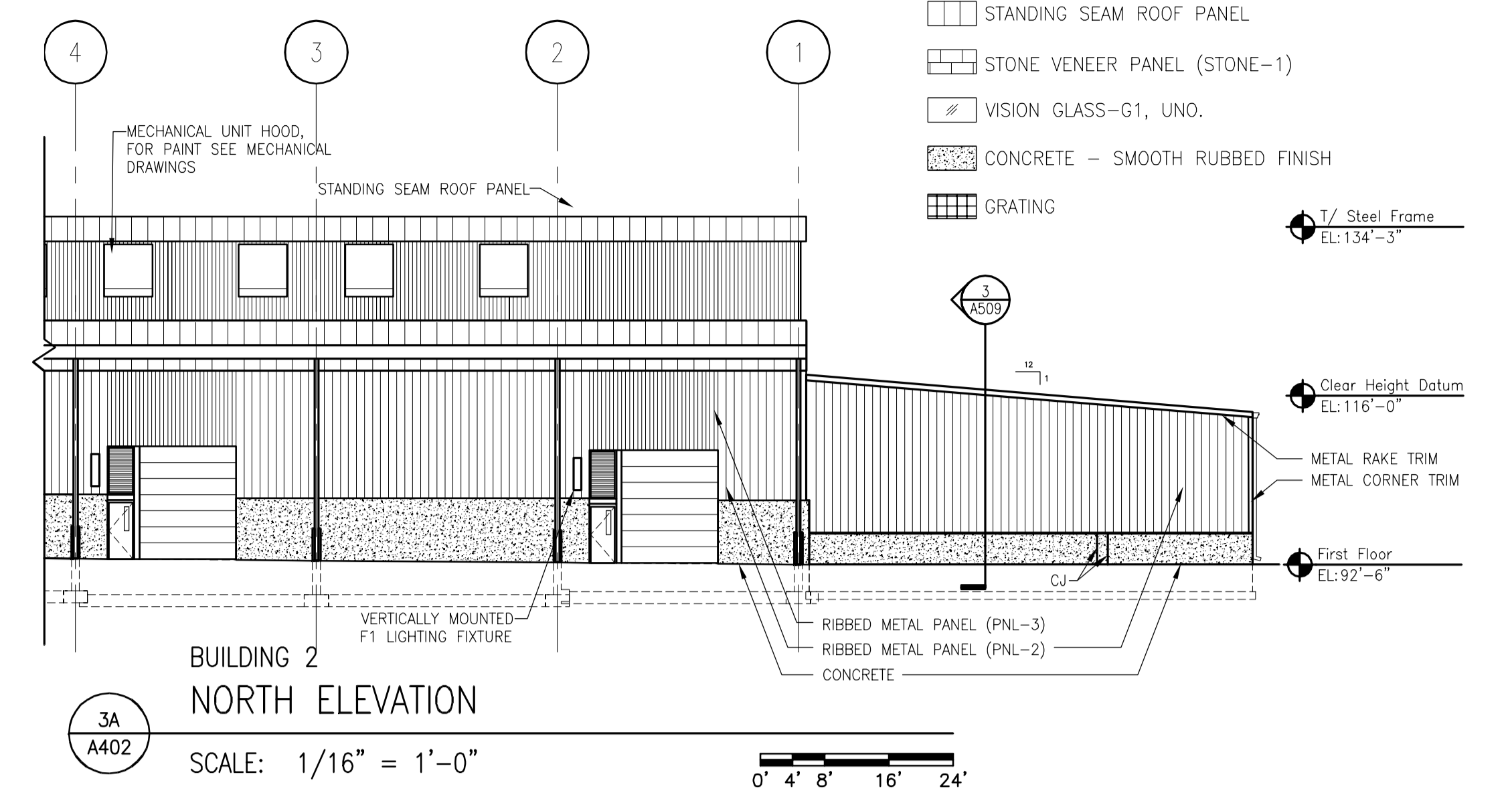
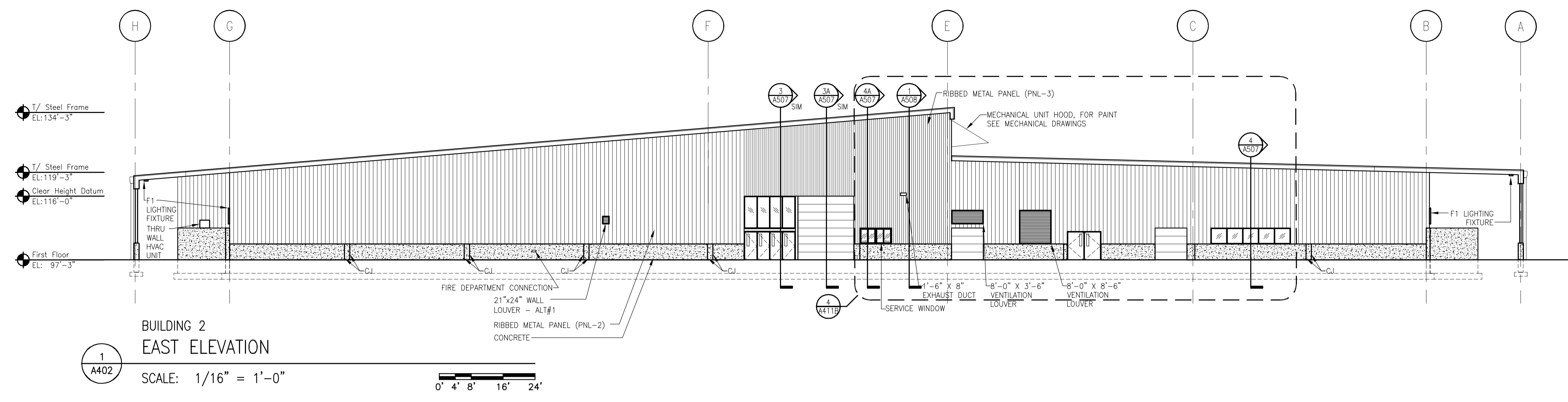
**SHEET TITLE**  
**BUILDING 1  
EXTERIOR  
ELEVATIONS**

**SHEET NO.**  
**A401**

CARLOS RUZ 2008.5.30 2:27 PM K:\20130313027 - ALLIANT ENERGY CENTER LIVESTOCK & EXHIBITION SPACE EXPANSION\2013027\_02 - ALLIANT ENERGY CENTER LIVESTOCK AND EXHIBITION HALL\DRAWINGS\2013027\_02-A401.DWG

MATERIAL KEY

- RIBBED METAL PANEL (PNL-2)
- RIBBED METAL PANEL (PNL-3)
- STANDING SEAM ROOF PANEL
- STONE VENEER PANEL (STONE-1)
- VISION GLASS-G1, UNO.
- CONCRETE - SMOOTH RUBBED FINISH
- GRATING



DRAWING SET	CD
COPYRIGHT	2013
FILE NAME	2013027_02-A402.DWG
REVISIONS	

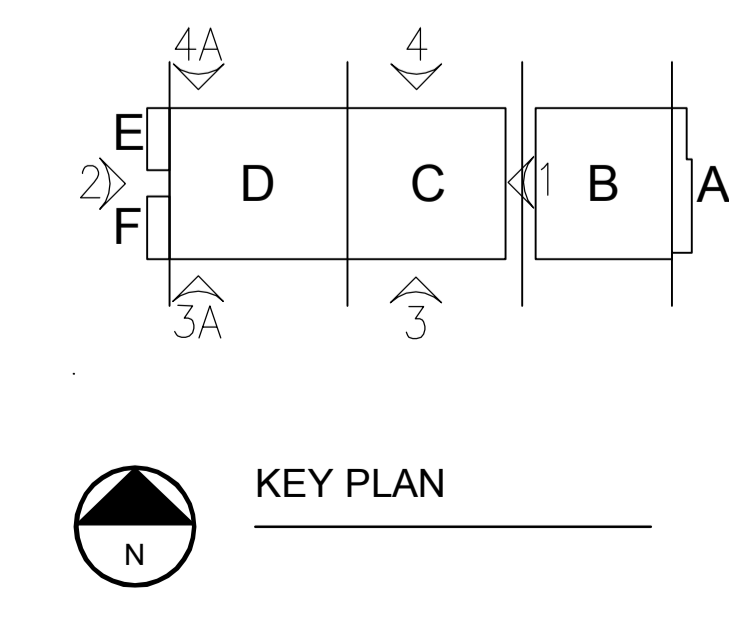
DRAWN	
CHECKED	RG
DATE	10-29-13
PROJECT NO.	2013027_02
PROJECT TITLE	

**ALLIANT ENERGY  
CENTER PAVILIONS  
BID # 313072**

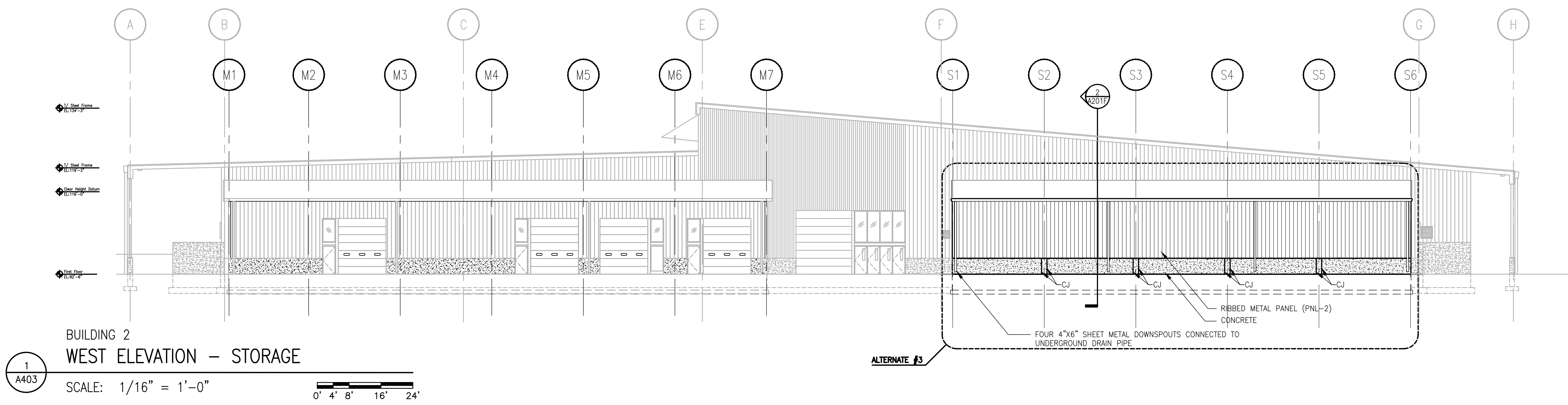
1919 ALLIANT ENERGY CENTER WAY  
MADISON, WISCONSIN 53713

SHEET TITLE  
**BUILDING 2  
EXTERIOR  
ELEVATIONS**

SHEET NO.  
**A402**

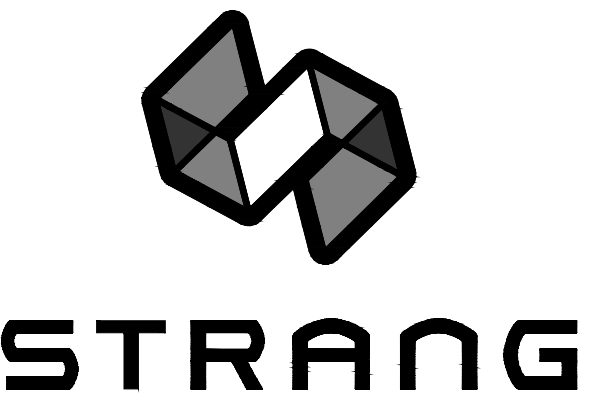


CARLOS RUZ 2009.6.30 2:27 PM K:\201301307 - ALLIANT ENERGY CENTER LIVES TOCK AND EXHIBITION SPACE EXPANSION\2013027\_02-A402.DWG



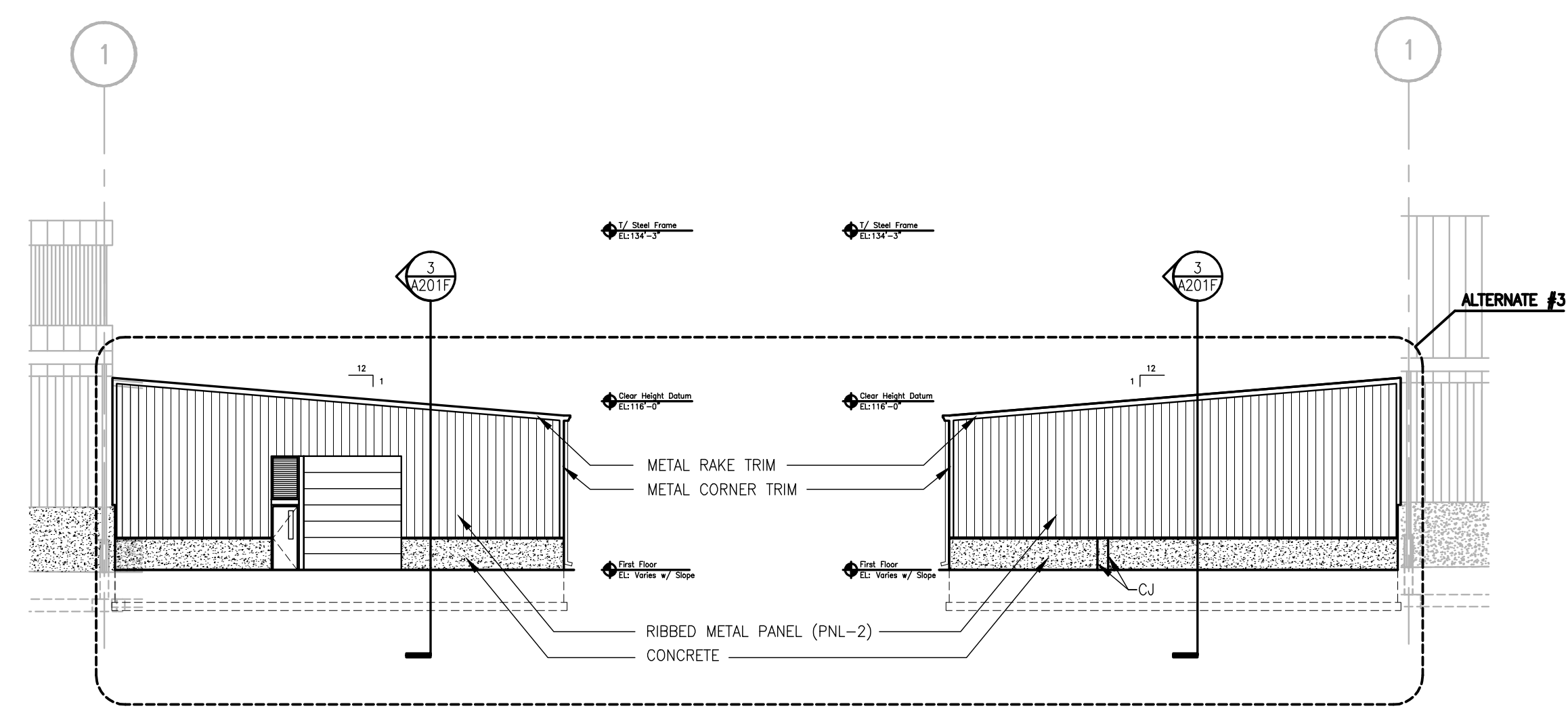
MATERIAL KEY

- RIBBED METAL PANEL (PNL-2)
- RIBBED METAL PANEL (PNL-3)
- STANDING SEAM ROOF PANEL
- STONE VENEER PANEL (STONE-1)
- VISION GLASS-G1, UNO.
- CONCRETE
- GRATING



ARCHITECTURE  
ENGINEERING  
INTERIOR DESIGN

STRANG, INC.  
6411 MINERAL POINT ROAD  
MADISON, WI 53705-4395  
T/ 608 276 9200  
F/ 608 276 9204



2  
A403

BUILDING 2  
NORTH ELEVATION - STORAGE

SCALE: 1/16" = 1'-0"

0' 4' 8' 16' 24'

3  
A403

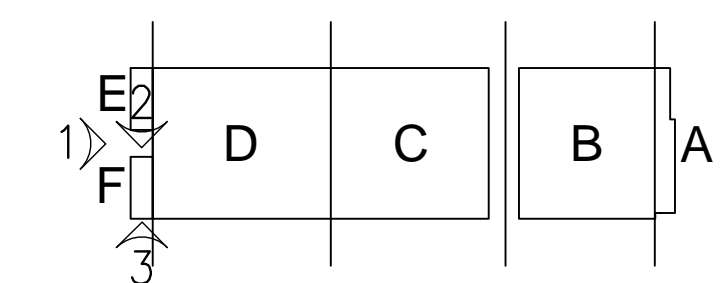
BUILDING 2  
SOUTH ELEVATION - STORAGE

SCALE: 1/16" = 1'-0"

0' 4' 8' 16' 24'

DRAWING SET	CD
COPYRIGHT	2013
STRANG, INC.	
FILE NAME	2013027_02-A403.DWG
REVISIONS	
DRAWN	
CHECKED	RG
DATE	10-29-13
PROJECT NO.	2013027_02
PROJECT TITLE	
<b>ALLIANT ENERGY CENTER PAVILIONS</b>	
<b>BID # 313072</b>	

1919 ALLIANT ENERGY CENTER WAY  
MADISON, WISCONSIN 53713



KEY PLAN

SHEET TITLE

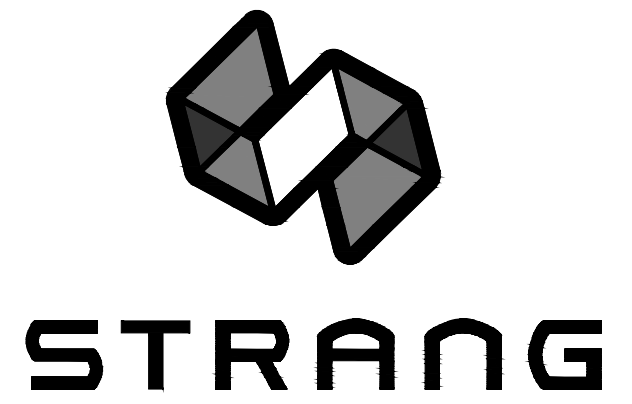
**BUILDING 2 - STORAGE  
EXTERIOR  
ELEVATIONS**

SHEET NO.  
**A403**

01  
02  
03  
04  
05  
06  
07  
08  
09  
10  
11  
12  
13  
14  
15  
16  
17  
18  
19  
20  
21  
22  
23  
24  
25  
26  
27  
28  
29  
30  
31  
32  
33  
34  
35  
36  
37  
38  
39  
40  
41  
42  
43  
44  
45  
46  
47  
48  
49  
50  
51  
52  
53  
54  
55  
56  
57  
58  
59  
60  
61  
62  
63  
64  
65  
66  
67  
68  
69  
70  
71  
72  
73  
74  
75  
76  
77  
78  
79  
80  
81  
82  
83  
84  
85  
86  
87  
88  
89  
90  
91  
92  
93  
94  
95  
96  
97  
98  
99  
100  
101  
102  
103  
104  
105  
106  
107  
108  
109  
110  
111  
112  
113  
114  
115  
116  
117  
118  
119  
120  
121  
122  
123  
124  
125  
126  
127  
128  
129  
130  
131  
132  
133  
134  
135  
136  
137  
138  
139  
140  
141  
142  
143  
144  
145  
146  
147  
148  
149  
150  
151  
152  
153  
154  
155  
156  
157  
158  
159  
160  
161  
162  
163  
164  
165  
166  
167  
168  
169  
170  
171  
172  
173  
174  
175  
176  
177  
178  
179  
180  
181  
182  
183  
184  
185  
186  
187  
188  
189  
190  
191  
192  
193  
194  
195  
196  
197  
198  
199  
200  
201  
202  
203  
204  
205  
206  
207  
208  
209  
210  
211  
212  
213  
214  
215  
216  
217  
218  
219  
220  
221  
222  
223  
224  
225  
226  
227  
228  
229  
230  
231  
232  
233  
234  
235  
236  
237  
238  
239  
240  
241  
242  
243  
244  
245  
246  
247  
248  
249  
250  
251  
252  
253  
254  
255  
256  
257  
258  
259  
260  
261  
262  
263  
264  
265  
266  
267  
268  
269  
270  
271  
272  
273  
274  
275  
276  
277  
278  
279  
280  
281  
282  
283  
284  
285  
286  
287  
288  
289  
290  
291  
292  
293  
294  
295  
296  
297  
298  
299  
300  
301  
302  
303  
304  
305  
306  
307  
308  
309  
310  
311  
312  
313  
314  
315  
316  
317  
318  
319  
320  
321  
322  
323  
324  
325  
326  
327  
328  
329  
330  
331  
332  
333  
334  
335  
336  
337  
338  
339  
340  
341  
342  
343  
344  
345  
346  
347  
348  
349  
350  
351  
352  
353  
354  
355  
356  
357  
358  
359  
360  
361  
362  
363  
364  
365  
366  
367  
368  
369  
370  
371  
372  
373  
374  
375  
376  
377  
378  
379  
380  
381  
382  
383  
384  
385  
386  
387  
388  
389  
390  
391  
392  
393  
394  
395  
396  
397  
398  
399  
400  
401  
402  
403  
404  
405  
406  
407  
408  
409  
410  
411  
412  
413  
414  
415  
416  
417  
418  
419  
420  
421  
422  
423  
424  
425  
426  
427  
428  
429  
430  
431  
432  
433  
434  
435  
436  
437  
438  
439  
440  
441  
442  
443  
444  
445  
446  
447  
448  
449  
450  
451  
452  
453  
454  
455  
456  
457  
458  
459  
460  
461  
462  
463  
464  
465  
466  
467  
468  
469  
470  
471  
472  
473  
474  
475  
476  
477  
478  
479  
480  
481  
482  
483  
484  
485  
486  
487  
488  
489  
490  
491  
492  
493  
494  
495  
496  
497  
498  
499  
500  
501  
502  
503  
504  
505  
506  
507  
508  
509  
510  
511  
512  
513  
514  
515  
516  
517  
518  
519  
520  
521  
522  
523  
524  
525  
526  
527  
528  
529  
530  
531  
532  
533  
534  
535  
536  
537  
538  
539  
540  
541  
542  
543  
544  
545  
546  
547  
548  
549  
550  
551  
552  
553  
554  
555  
556  
557  
558  
559  
560  
561  
562  
563  
564  
565  
566  
567  
568  
569  
570  
571  
572  
573  
574  
575  
576  
577  
578  
579  
580  
581  
582  
583  
584  
585  
586  
587  
588  
589  
590  
591  
592  
593  
594  
595  
596  
597  
598  
599  
600  
601  
602  
603  
604  
605  
606  
607  
608  
609  
610  
611  
612  
613  
614  
615  
616  
617  
618  
619  
620  
621  
622  
623  
624  
625  
626  
627  
628  
629  
630  
631  
632  
633  
634  
635  
636  
637  
638  
639  
640  
641  
642  
643  
644  
645  
646  
647  
648  
649  
650  
651  
652  
653  
654  
655  
656  
657  
658  
659  
660  
661  
662  
663  
664  
665  
666  
667  
668  
669  
670  
671  
672  
673  
674  
675  
676  
677  
678  
679  
680  
681  
682  
683  
684  
685  
686  
687  
688  
689  
690  
691  
692  
693  
694  
695  
696  
697  
698  
699  
700  
701  
702  
703  
704  
705  
706  
707  
708  
709  
710  
711  
712  
713  
714  
715  
716  
717  
718  
719  
720  
721  
722  
723  
724  
725  
726  
727  
728  
729  
730  
731  
732  
733  
734  
735  
736  
737  
738  
739  
740  
741  
742  
743  
744  
745  
746  
747  
748  
749  
750  
751  
752  
753  
754  
755  
756  
757  
758  
759  
760  
761  
762  
763  
764  
765  
766  
767  
768  
769  
770  
771  
772  
773  
774  
775  
776  
777  
778  
779  
780  
781  
782  
783  
784  
785  
786  
787  
788  
789  
790  
791  
792  
793  
794  
795  
796  
797  
798  
799  
800  
801  
802  
803  
804  
805  
806  
807  
808  
809  
810  
811  
812  
813  
814  
815  
816  
817  
818  
819  
820  
821  
822  
823  
824  
825  
826  
827  
828  
829  
830  
831  
832  
833  
834  
835  
836  
837  
838  
839  
840  
841  
842  
843  
844  
845  
846  
847  
848  
849  
850  
851  
852  
853  
854  
855  
856  
857  
858  
859  
860  
861  
862  
863  
864  
865  
866  
867  
868  
869  
870  
871  
872  
873  
874  
875  
876  
877  
878  
879  
880  
881  
882  
883  
884  
885  
886  
887  
888  
889  
890  
891  
892  
893  
894  
895  
896  
897  
898  
899  
900  
901  
902  
903  
904  
905  
906  
907  
908  
909  
910  
911  
912  
913  
914  
915  
916  
917  
918  
919  
920  
921  
922  
923  
924  
925  
926  
927  
928  
929  
930  
931  
932  
933  
934  
935  
936  
937  
938  
939  
940  
941  
942  
943  
944  
945  
946  
947  
948  
949  
950  
951  
952  
953  
954  
955  
956  
957  
958  
959  
960  
961  
962  
963  
964  
965  
966  
967  
968  
969  
970  
971  
972  
973  
974  
975  
976  
977  
978  
979  
980  
981  
982  
983  
984  
985  
986  
987  
988  
989  
990  
991  
992  
993  
994  
995  
996  
997  
998  
999  
1000

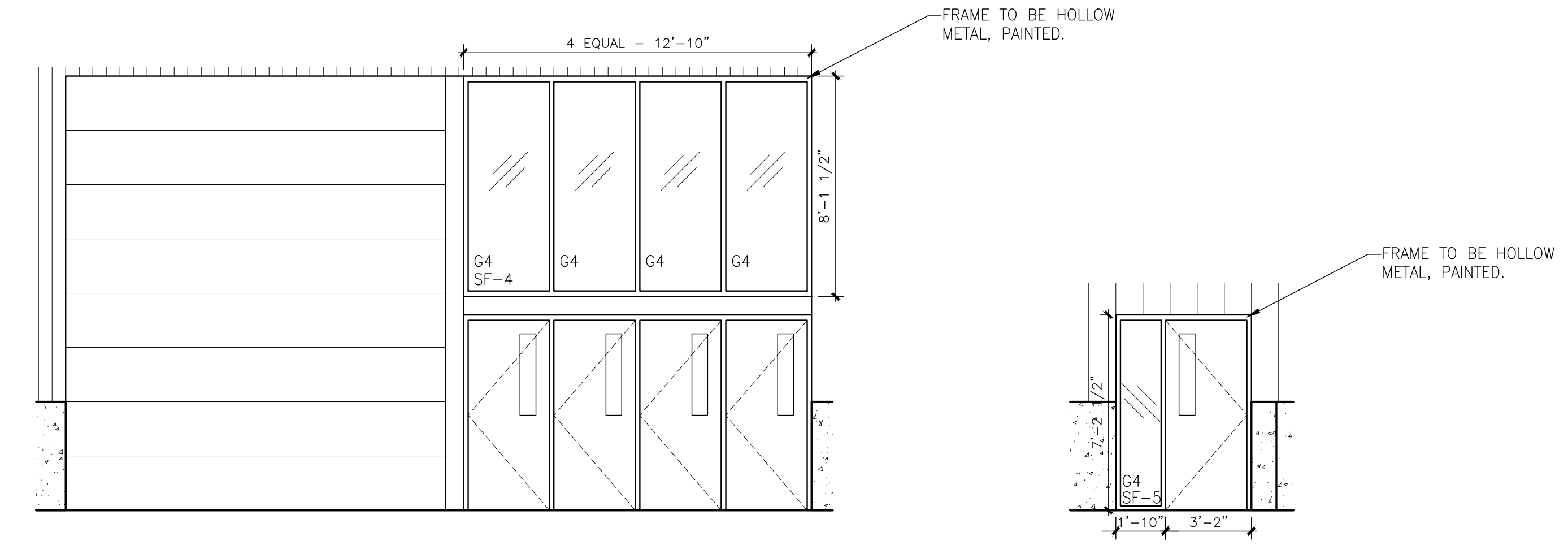
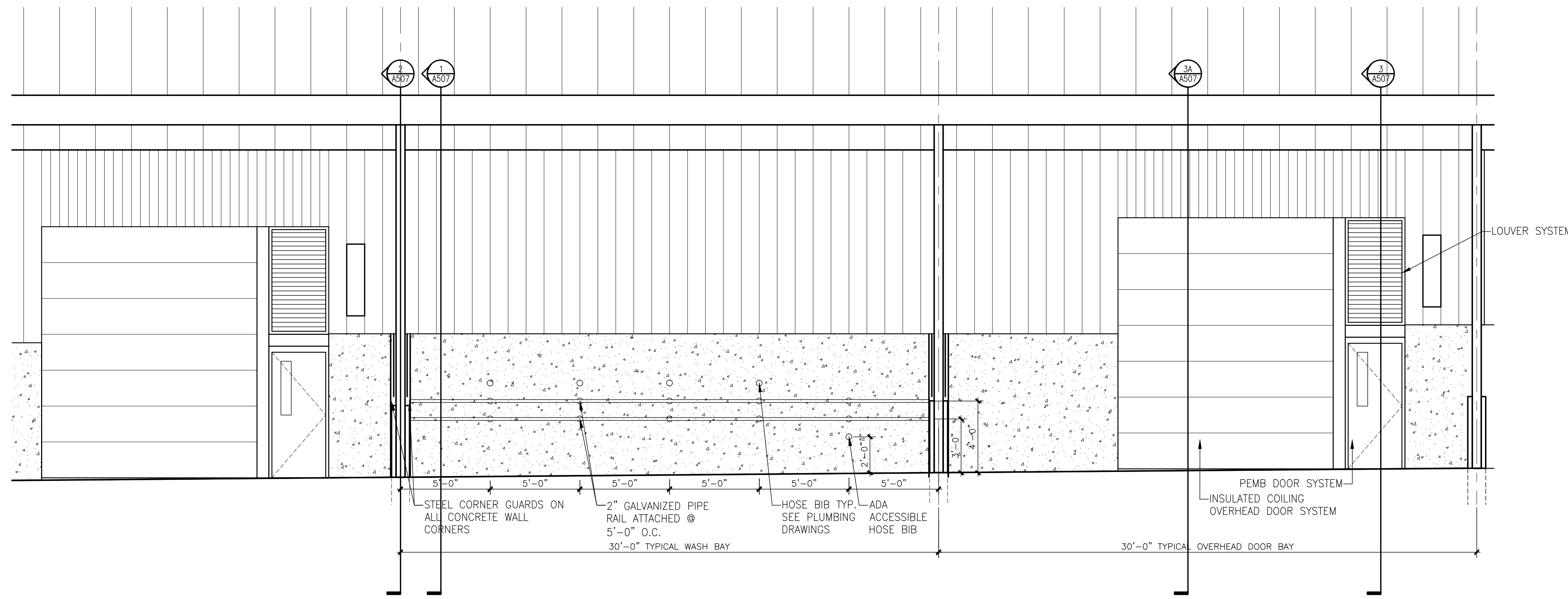
CARLOS RUIZ, 2009-4-30, 2:27 PM, A:\2013027 - ALLIANT ENERGY CENTER LUBERTOCK & EXHIBITION SPACE EXPANSION\2013027\_02 - ALLIANT ENERGY CENTER - LUBERTOCK AND EXHIBITION HALL\DRAWINGS\2013027\_02-A403.DWG

- MATERIAL KEY
- RIBBED METAL PANEL (PNL-1)
  - RIBBED METAL PANEL (PNL-2)
  - STANDING SEAM ROOF PANEL
  - STONE VENEER PANEL (STONE-1)
  - VISION GLASS-G1, UNO.
  - CONCRETE - SMOOTH RUBBED FINISH
  - GRATING



ARCHITECTURE  
ENGINEERING  
INTERIOR DESIGN

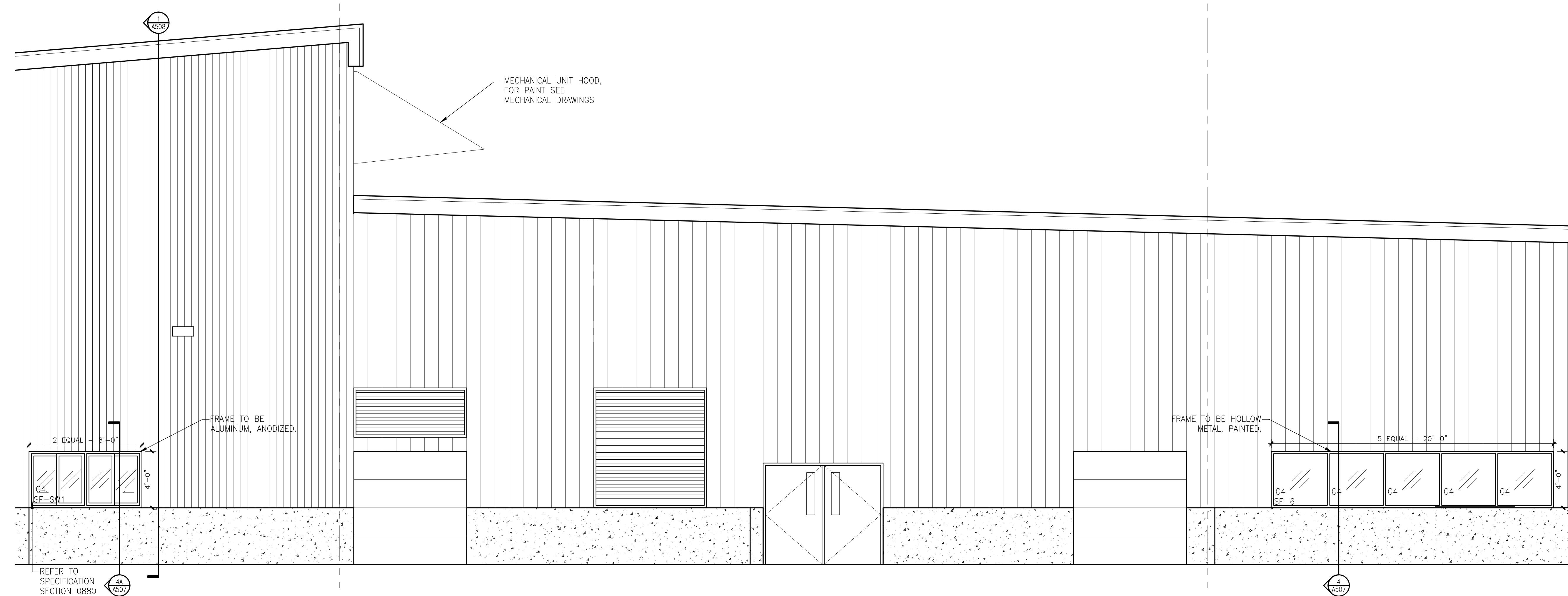
STRANG INC.  
6411 MINERAL POINT ROAD  
MADISON, WI 53705-4395  
T/ 608 276 9200  
F/ 608 276 9204



3  
A411B  
TYPICAL BAY  
ENLARGED ELEVATION  
SCALE: 1/4" = 1'-0"  
0' 1' 2' 4' 6'

2  
A411B  
TYPICAL END BAY  
ENLARGED ELEVATION  
SCALE: 1/4" = 1'-0"  
0' 1' 2' 4' 6'

1  
A411B  
ENLARGED ELEVATION  
SCALE: 1/4" = 1'-0"  
0' 1' 2' 4' 6'

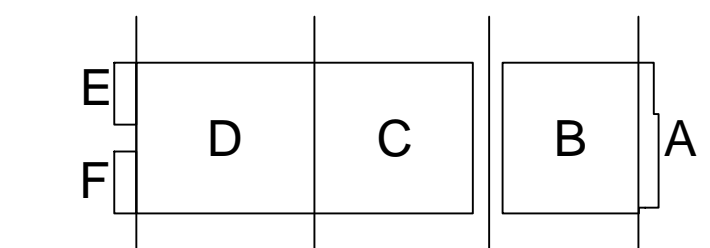


4  
A411B  
BUILDING 2  
ENLARGED ELEVATION  
SCALE: 1/4" = 1'-0"  
0' 1' 2' 4' 6'

DRAWING SET	CD
COPYRIGHT	2013
FILE NAME	2013027_02-A411B.DWG
REVISIONS	
DRAWN	
CHECKED	RG
DATE	10-29-13
PROJECT NO.	2013027_02
PROJECT TITLE	

ALLIANT ENERGY  
CENTER PAVILIONS  
BID # 313072

1919 ALLIANT ENERGY CENTER WAY  
MADISON, WISCONSIN 53713

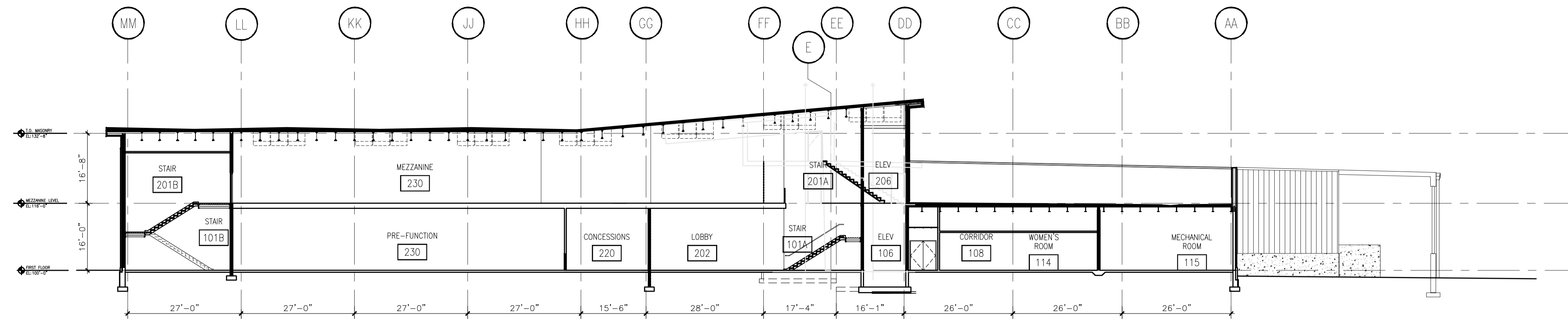


SHEET TITLE  
ENLARGED EXTERIOR  
ELEVATIONS

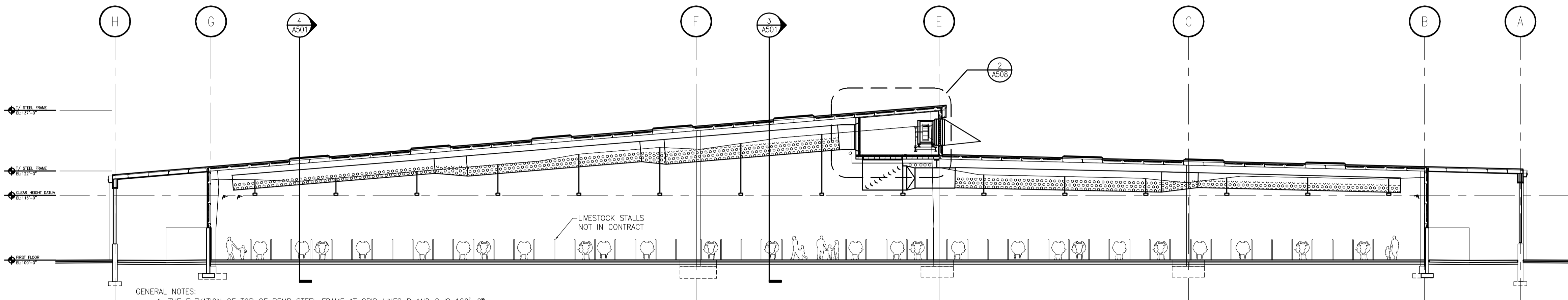
SHEET NO.  
A411B

C:\CS\BUIZ\_2008\6-30\_2:27 PM K1\_201302013027 - ALLIANT ENERGY CENTER LIFESTOCK & EXHIBITION SPACE EXPANSION\313072\_02 - ALLIANT ENERGY CENTER - LIFESTOCK AND EXHIBITION HALL DRAWINGS\313027\_02-A411B.DWG

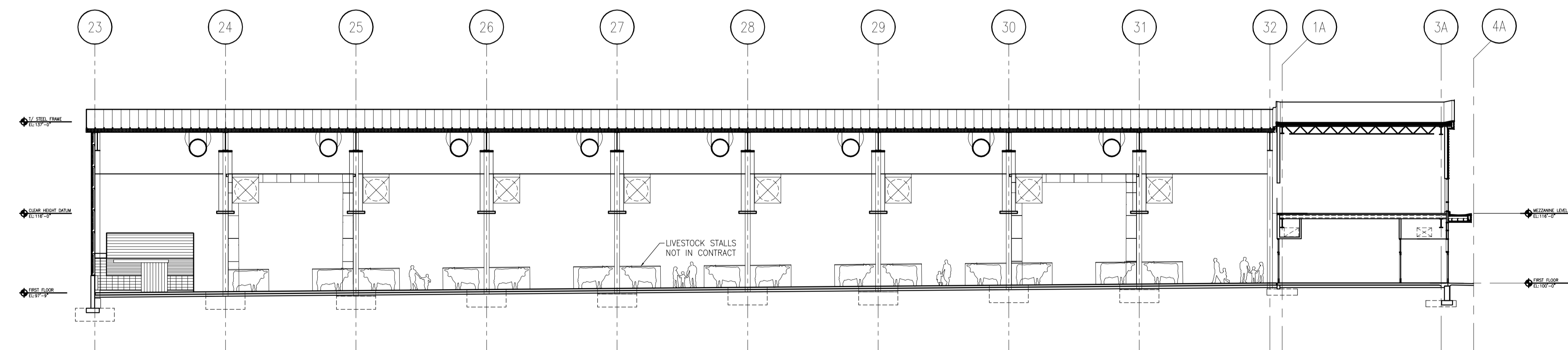




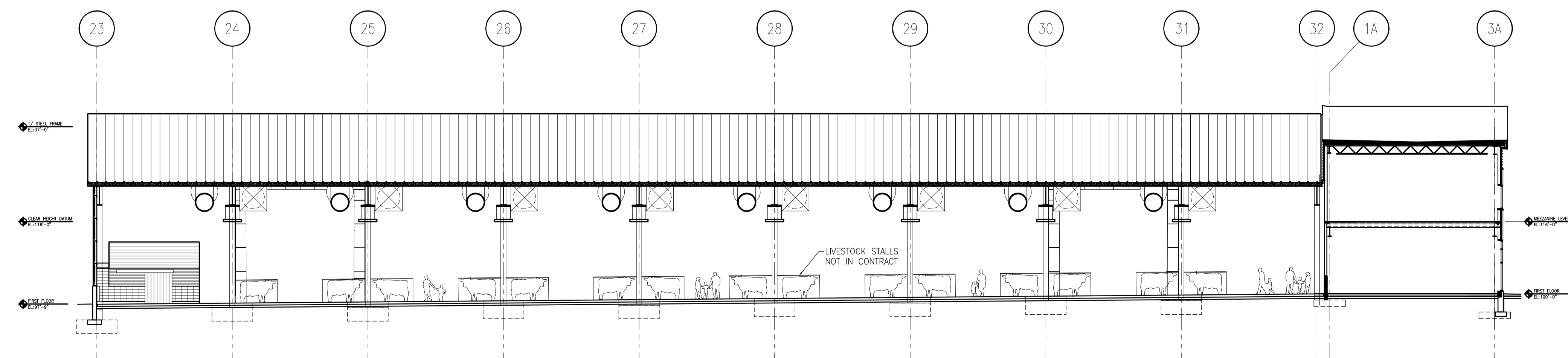
1  
A501  
PRE-FUNCTION BUILDING  
BUILDING SECTION  
SCALE: 1/16" = 1'-0"



2  
A501  
PAVILION BUILDING  
BUILDING SECTION  
SCALE: 1/16" = 1'-0"



3  
A501  
PAVILION BUILDING  
BUILDING SECTION  
SCALE: 1/16" = 1'-0"



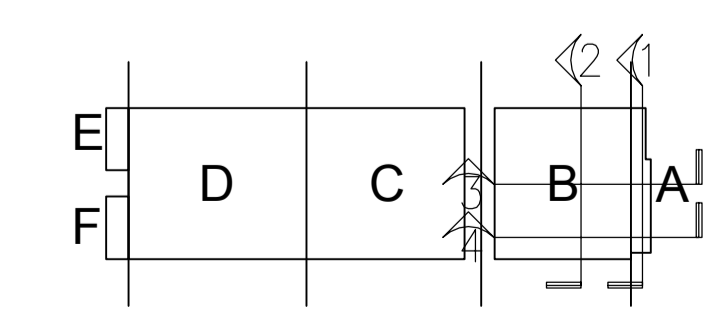
4  
A501  
PAVILION BUILDING  
BUILDING SECTION  
SCALE: 1/16" = 1'-0"

DRAWING SET	CD
COPYRIGHT	2013
FILE NAME	2013027_02-A501.DWG
REVISIONS	

DRAWN	
CHECKED	RG
DATE	10-29-13
PROJECT NO.	2013027_02
PROJECT TITLE	

**ALLIANT ENERGY  
CENTER PAVILIONS  
BID # 313072**

1919 ALLIANT ENERGY CENTER WAY  
MADISON, WISCONSIN 53713

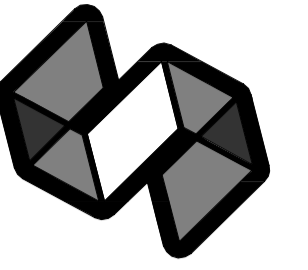


KEY PLAN

SHEET TITLE  
**BUILDING 1  
BUILDING  
SECTIONS**

SHEET NO.  
**A501**

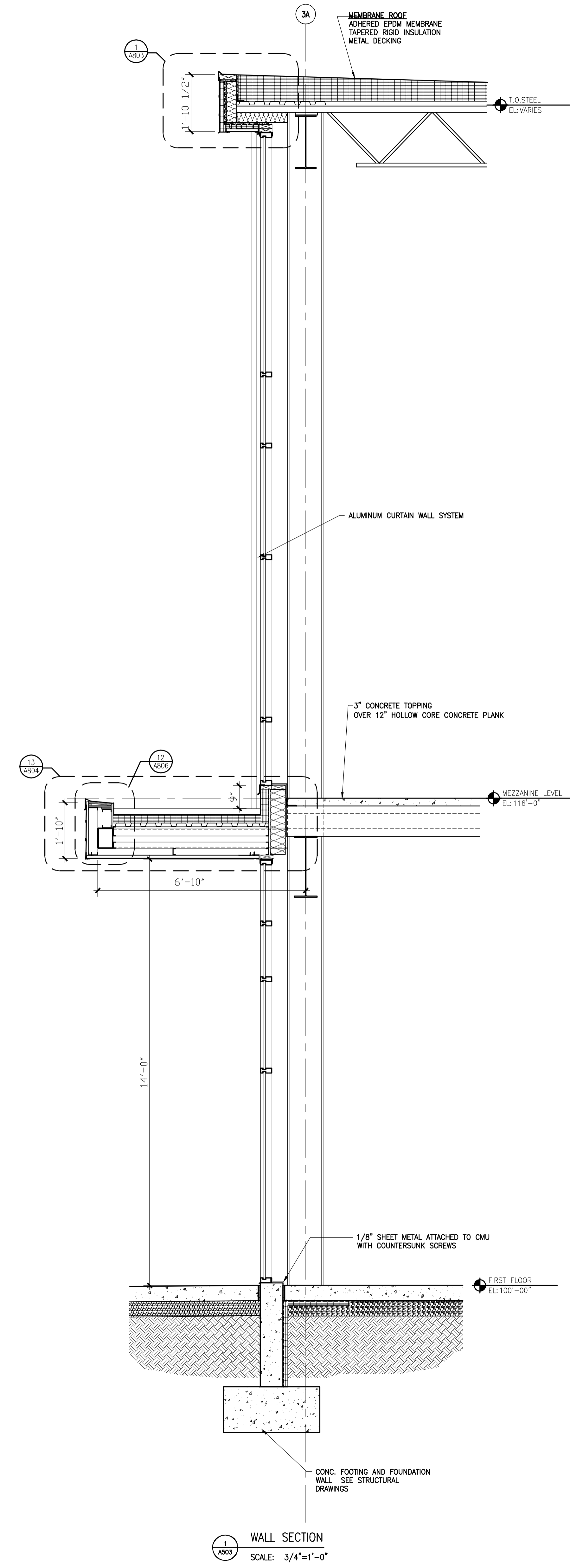
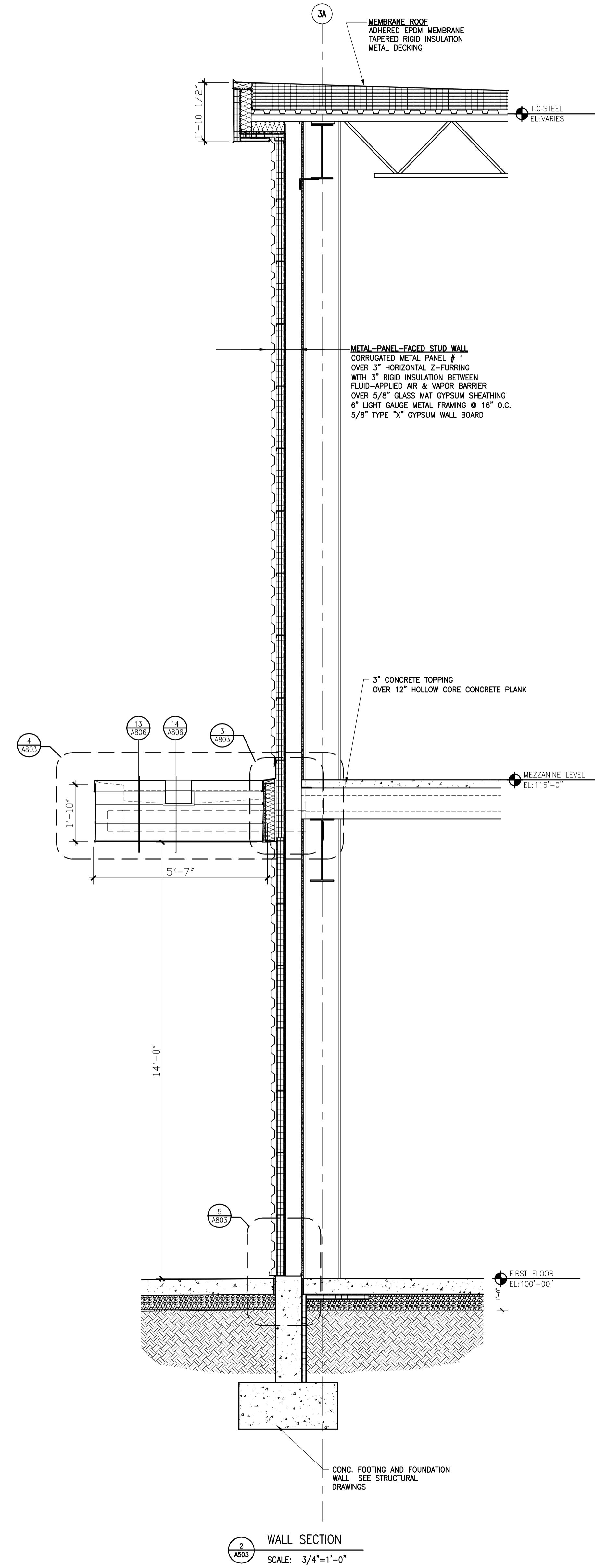
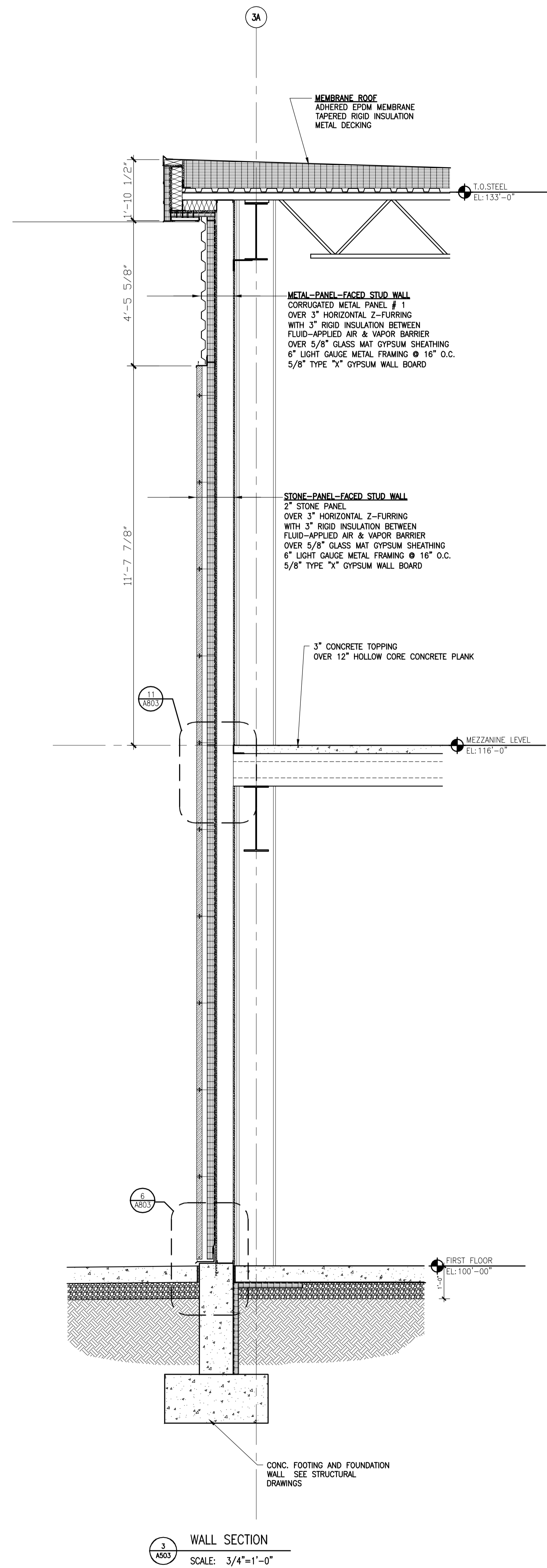
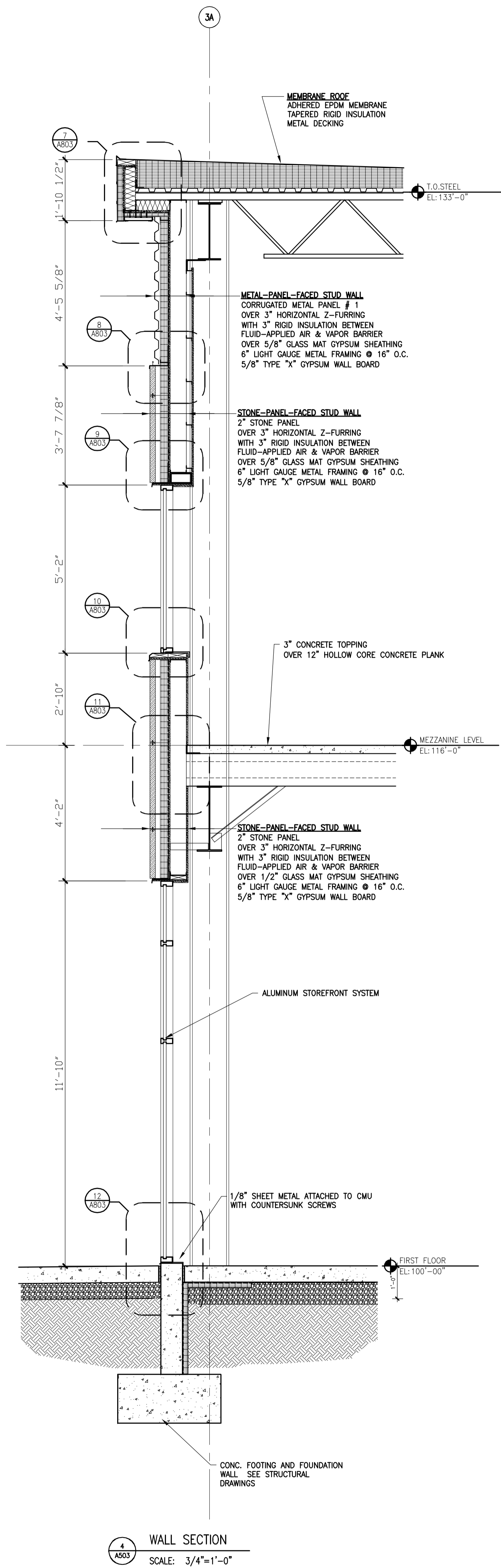
CARLOS RUIZ: 2009-5-30 2:27 PM K:\2013\3013027 - ALLIANT ENERGY CENTER LIVESTOCK & EXHIBITION SPACE EXPANSION\2013027\_02 - ALLIANT ENERGY CENTER LIVESTOCK AND EXHIBITION HALL\DRAWINGS\2013027\_02-A501.DWG



STRANG

ARCHITECTURE  
ENGINEERING  
INTERIOR DESIGN

STRANG INC.  
8411 MINERAL POINT ROAD  
MADISON, WI 53705-4395  
T/ 608 276 9200  
F/ 608 276 9204



DRAWING SET	CD
COPYRIGHT	2013
FILE NAME	2013027_02-A503.DWG
REVISIONS	
DRAWN	TCL
CHECKED	RG
DATE	10-29-13
PROJECT NO.	2013027_02
PROJECT TITLE	

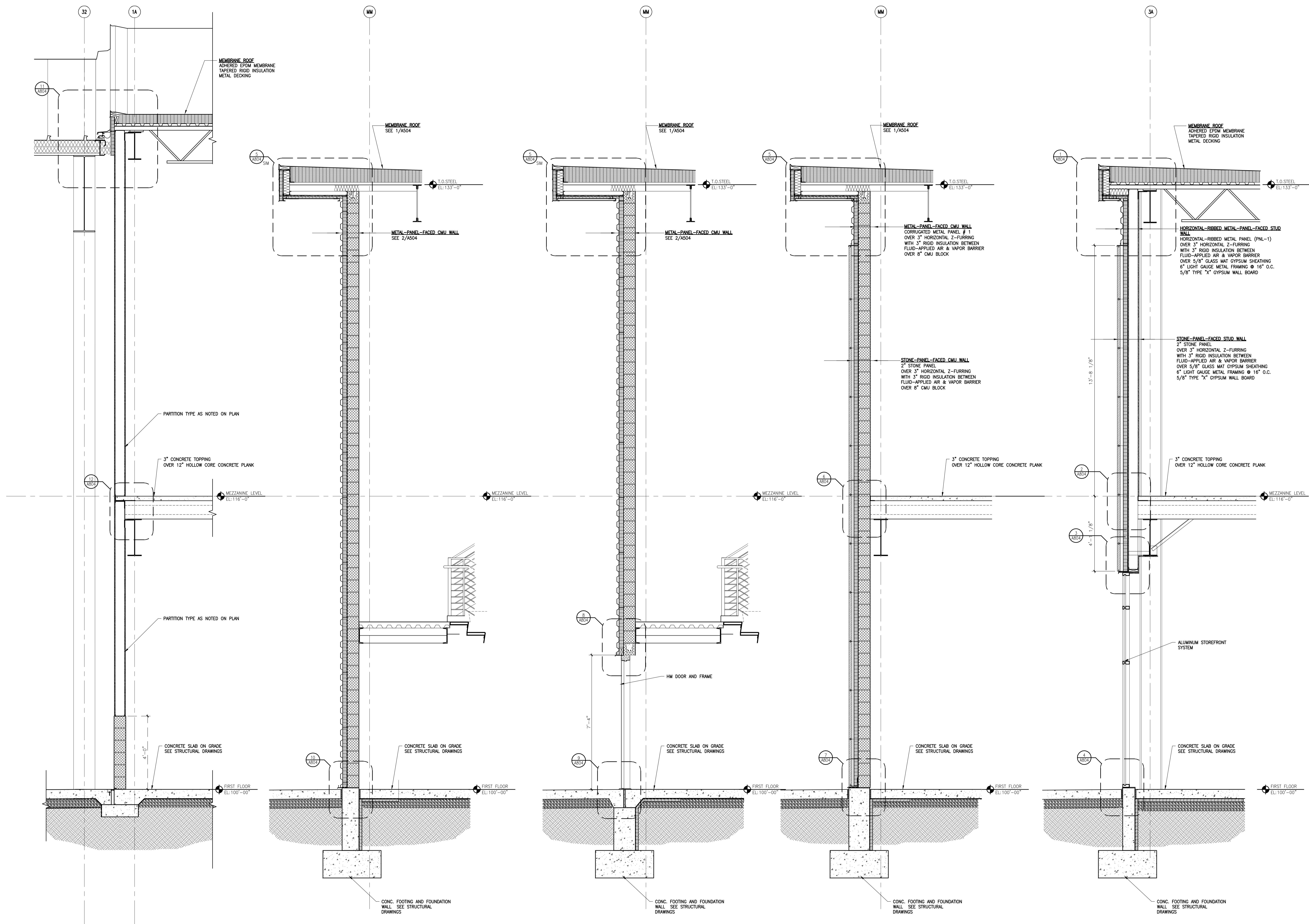
ALLIANT ENERGY  
CENTER PAVILIONS  
BID # 313072

1919 ALLIANT ENERGY CENTER WAY  
MADISON, WISCONSIN 53713

SHEET TITLE  
**WALL SECTIONS**

SHEET NO.  
**A503**

CARLOS RUIZ 2009-5-30 2:27 PM K:\2013\03\13027 - ALLIANT ENERGY CENTER LIVESTOCK & EXHIBITION SPACE EXPANSION\2013027\_02 - ALLIANT ENERGY CENTER LIVESTOCK AND EXHIBITION HALL\DRAWINGS\2013027\_02-A503.DWG



5 WALL SECTION  
SCALE: 1/2"=1'-0"

4 WALL SECTION  
SCALE: 1/2"=1'-0"

3 WALL SECTION  
SCALE: 1/2"=1'-0"

2 WALL SECTION  
SCALE: 1/2"=1'-0"

1 WALL SECTION  
SCALE: 1/2"=1'-0"

DRAWING SET	CD
COPYRIGHT	2013
FILE NAME	2013027_02-A504.DWG
REVISIONS	

DRAWN	TCL
CHECKED	RG
DATE	10-29-13
PROJECT NO.	2013027_02

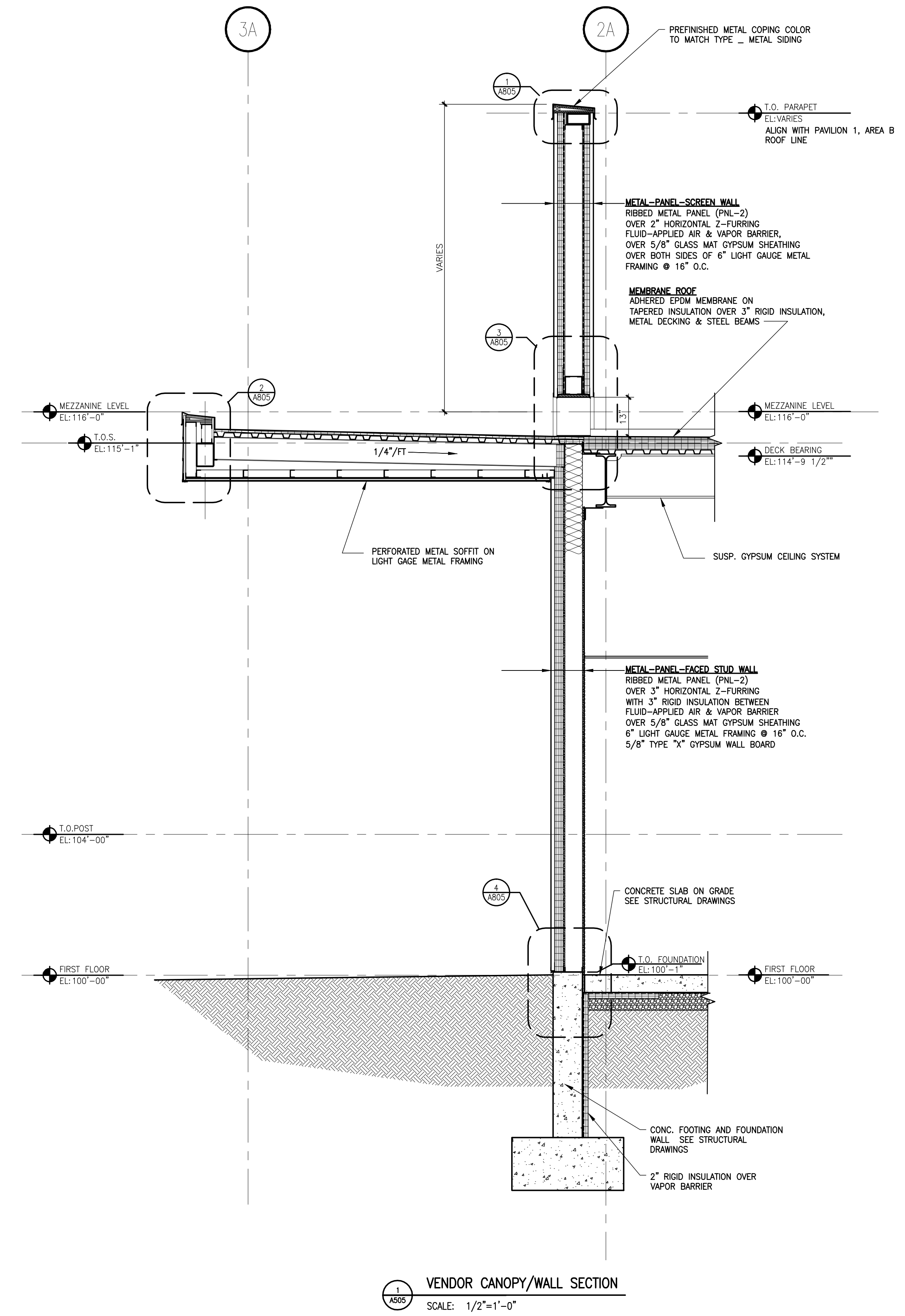
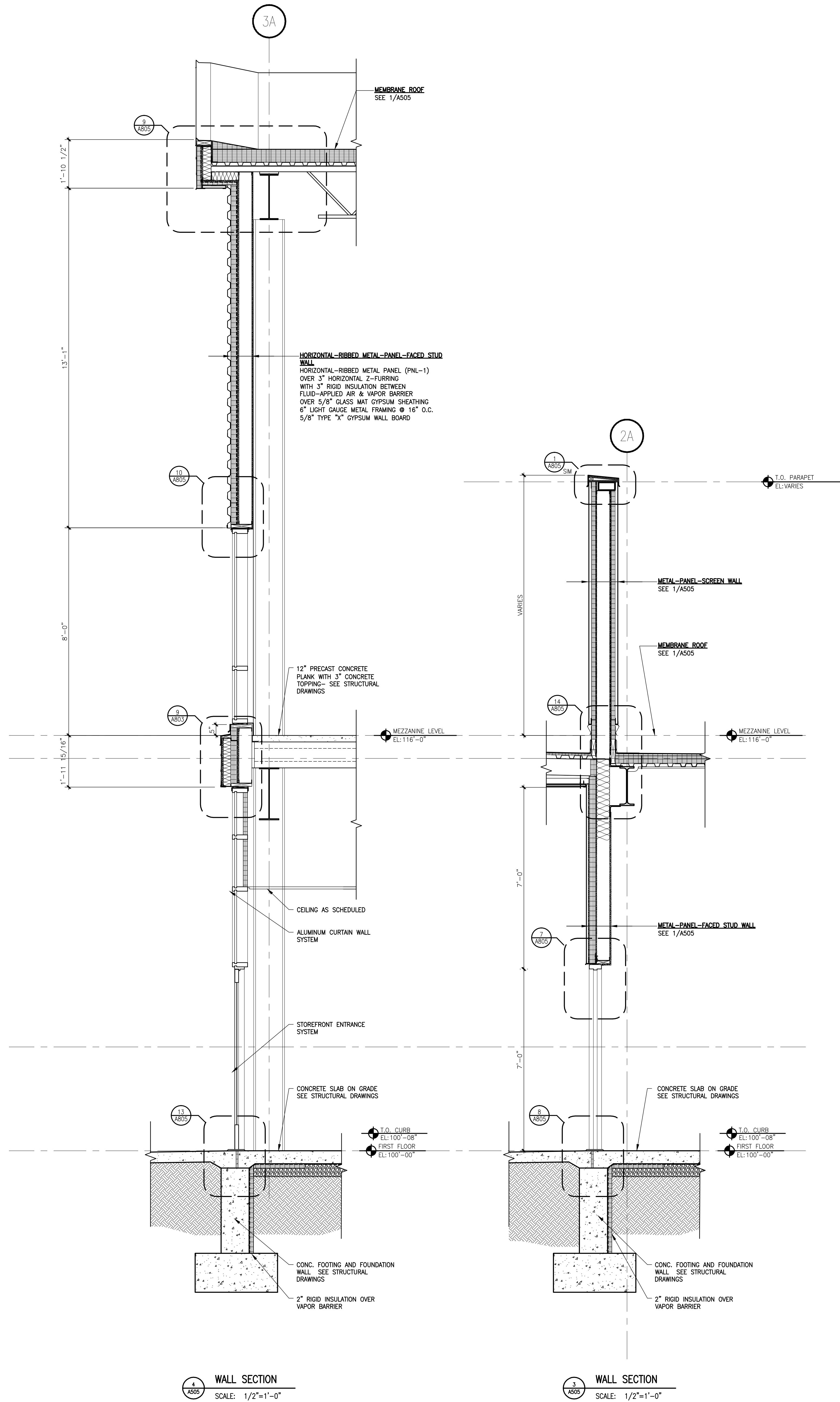
PROJECT TITLE  
**ALLIANT ENERGY CENTER PAVILIONS  
BID # 313072**

1919 ALLIANT ENERGY CENTER WAY  
MADISON, WISCONSIN 53713

SHEET TITLE  
**WALL SECTIONS**

SHEET NO.  
**A504**

CARLOS RUIZ, 2009.8.30, 2:27 PM K:\\_2013027\_02-ALLIANT ENERGY CENTER LIVESTOCK & EXHIBITION SPACE EXPANSION\2013027\_02-A504.DWG



DRAWING SET	CD
COPYRIGHT	2013
FILE NAME	2013027_02-A506.DWG
REVISIONS	

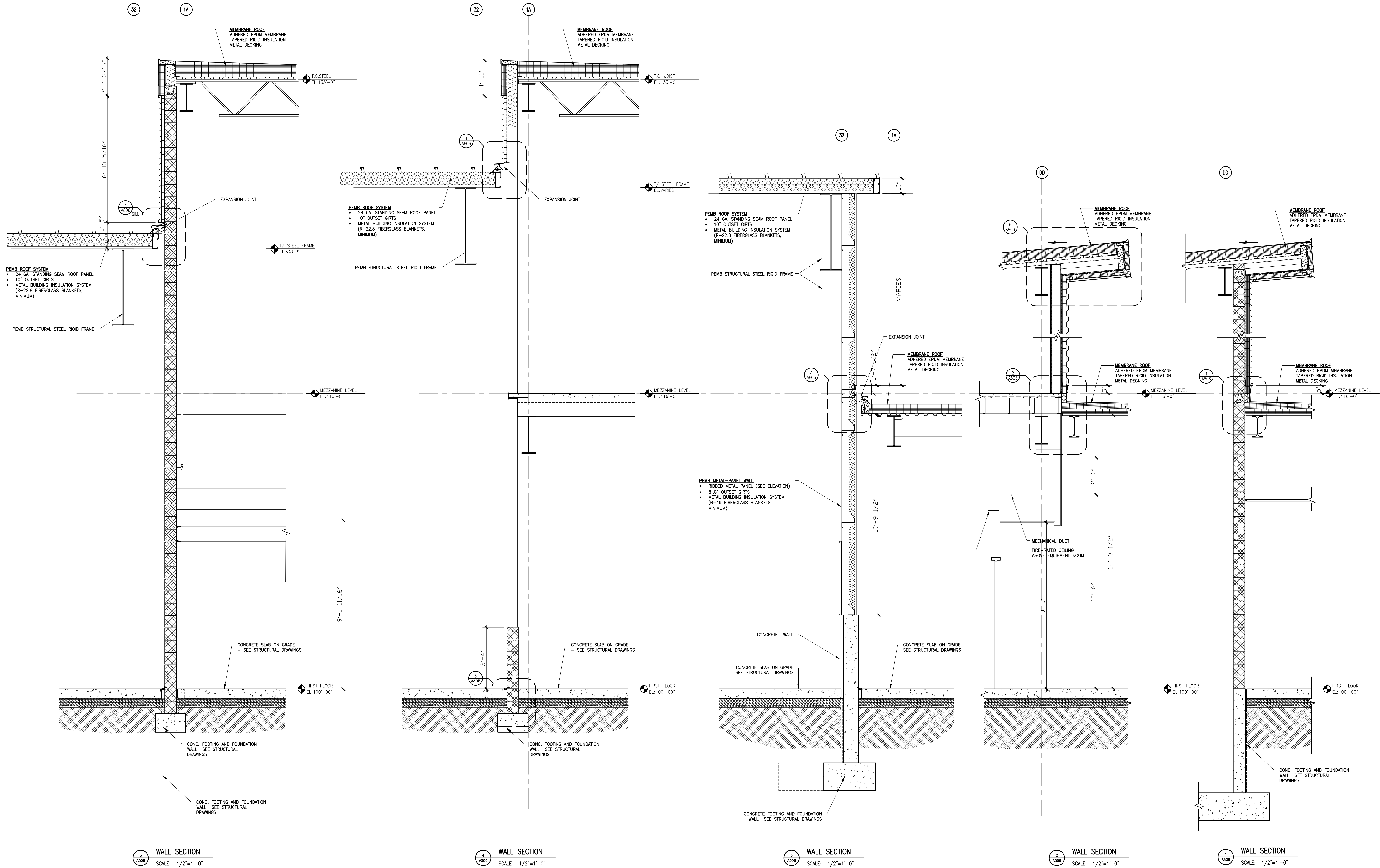
DRAWN	TCL
CHECKED	RG
DATE	10-29-13
PROJECT NO.	2013027_02
PROJECT TITLE	

ALLIANT ENERGY CENTER PAVILIONS  
BID # 313072

1919 ALLIANT ENERGY CENTER WAY  
MADISON, WISCONSIN 53713

SHEET TITLE  
WALL SECTIONS

SHEET NO.  
A505



DRAWING SET	CD
COPYRIGHT	2013
FILE NAME	2013027_02-A506.DWG
REVISIONS	

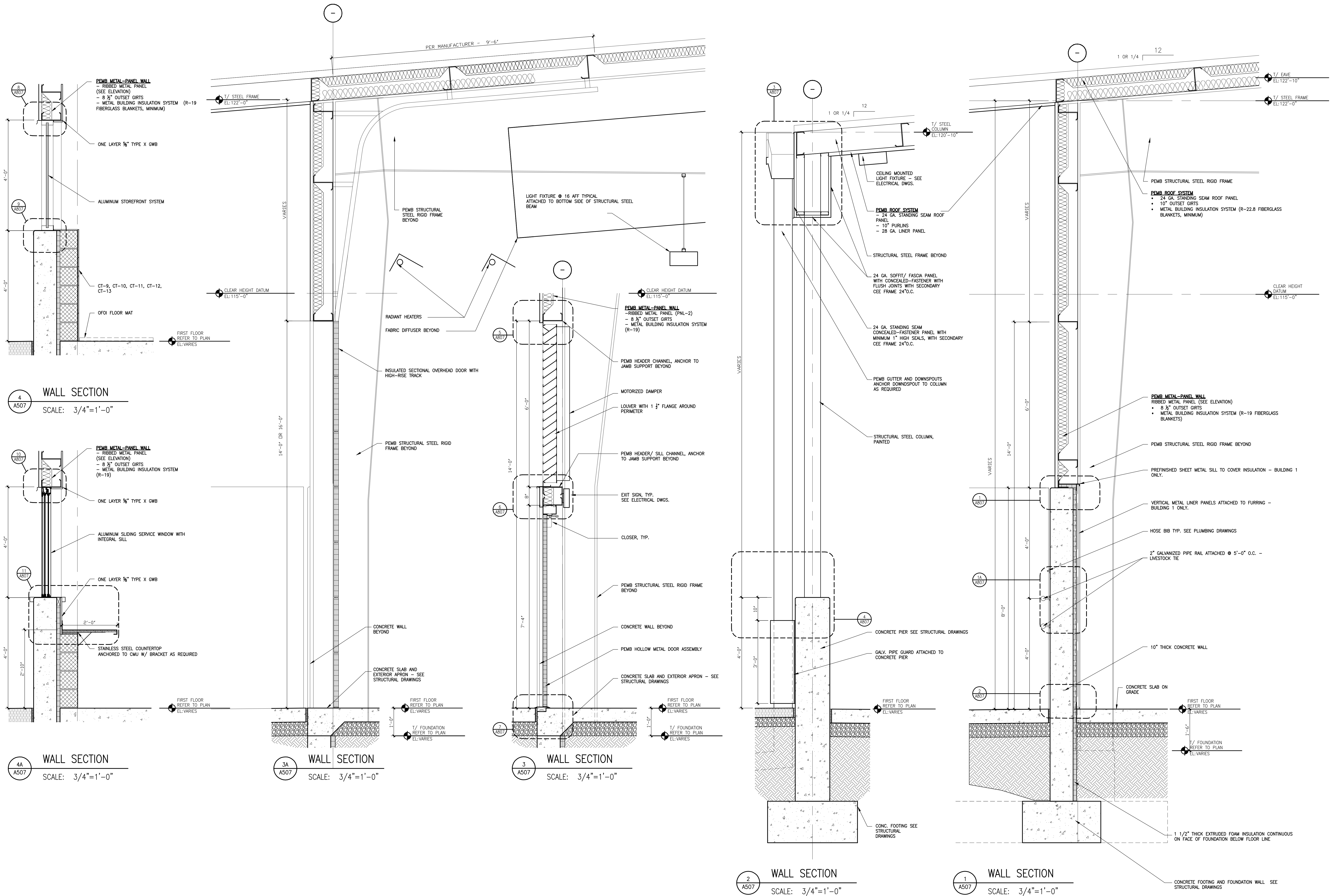
DRAWN	
CHECKED	RG
DATE	10-29-13
PROJECT NO.	2013027_02
PROJECT TITLE	

**ALLIANT ENERGY CENTER PAVILIONS  
BID # 313072**

1919 ALLIANT ENERGY CENTER WAY  
MADISON, WISCONSIN 53713

SHEET TITLE  
**WALL SECTIONS**

SHEET NO.  
**A506**



DRAWING SET	CD
COPYRIGHT	2013
FILE NAME	2013027_02-A507.DWG
REVISIONS	

DRAWN	
CHECKED	RG
DATE	10-29-13
PROJECT NO.	2013027_02
PROJECT TITLE	

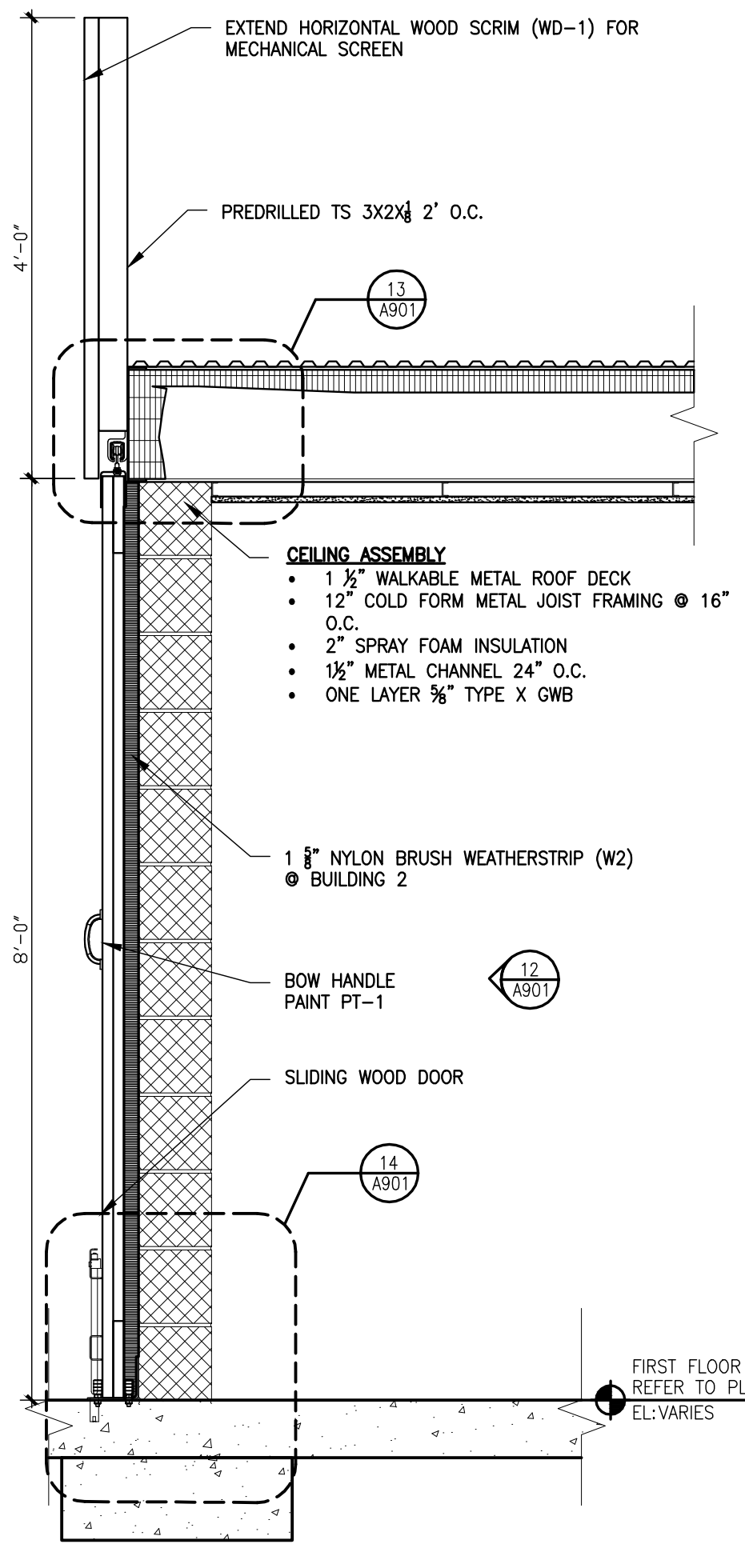
ALLIANT ENERGY CENTER PAVILIONS  
BID # 313072

1919 ALLIANT ENERGY CENTER WAY  
MADISON, WISCONSIN 53713

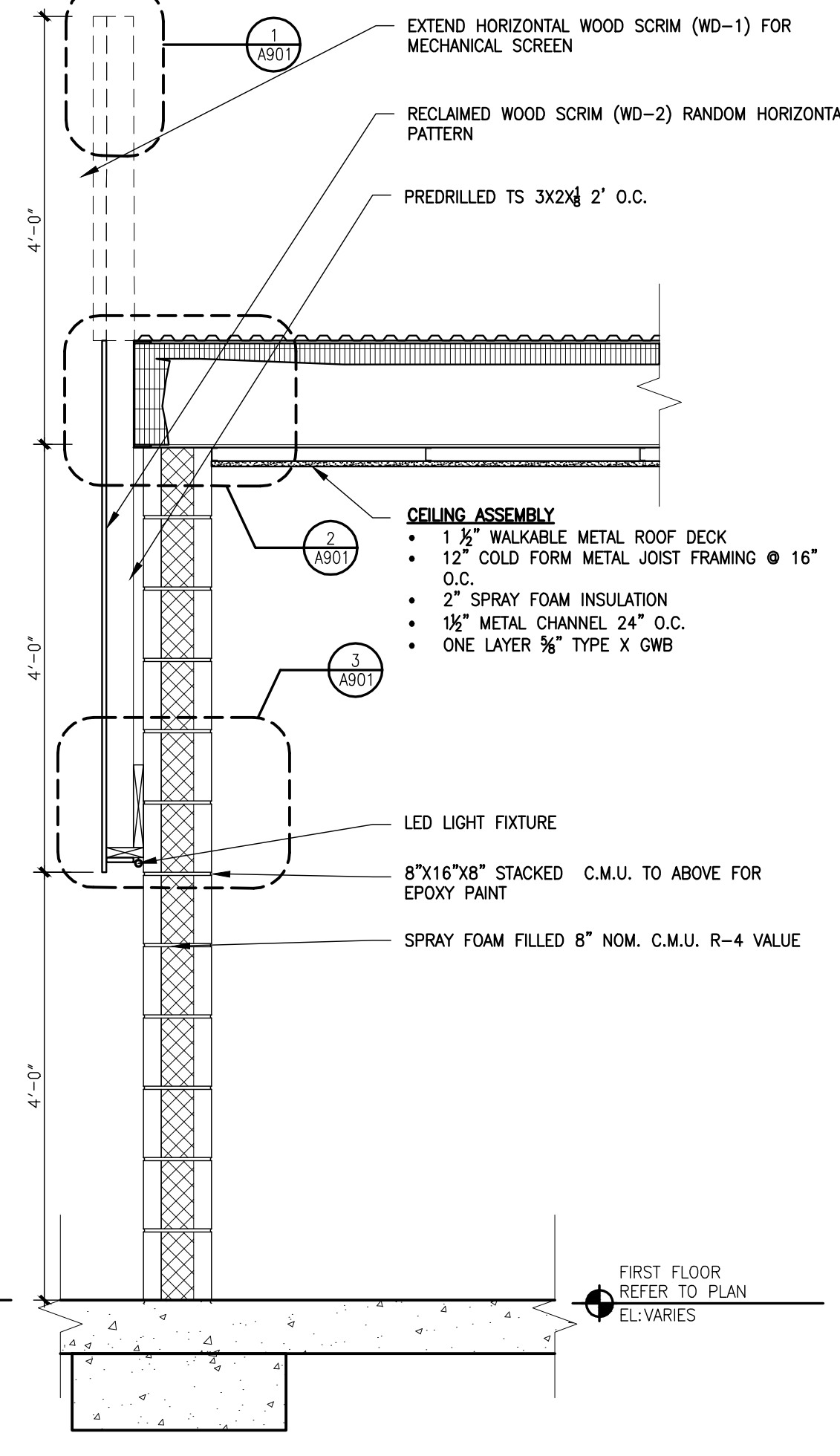
SHEET TITLE  
**WALL SECTIONS**

SHEET NO.  
**A507**

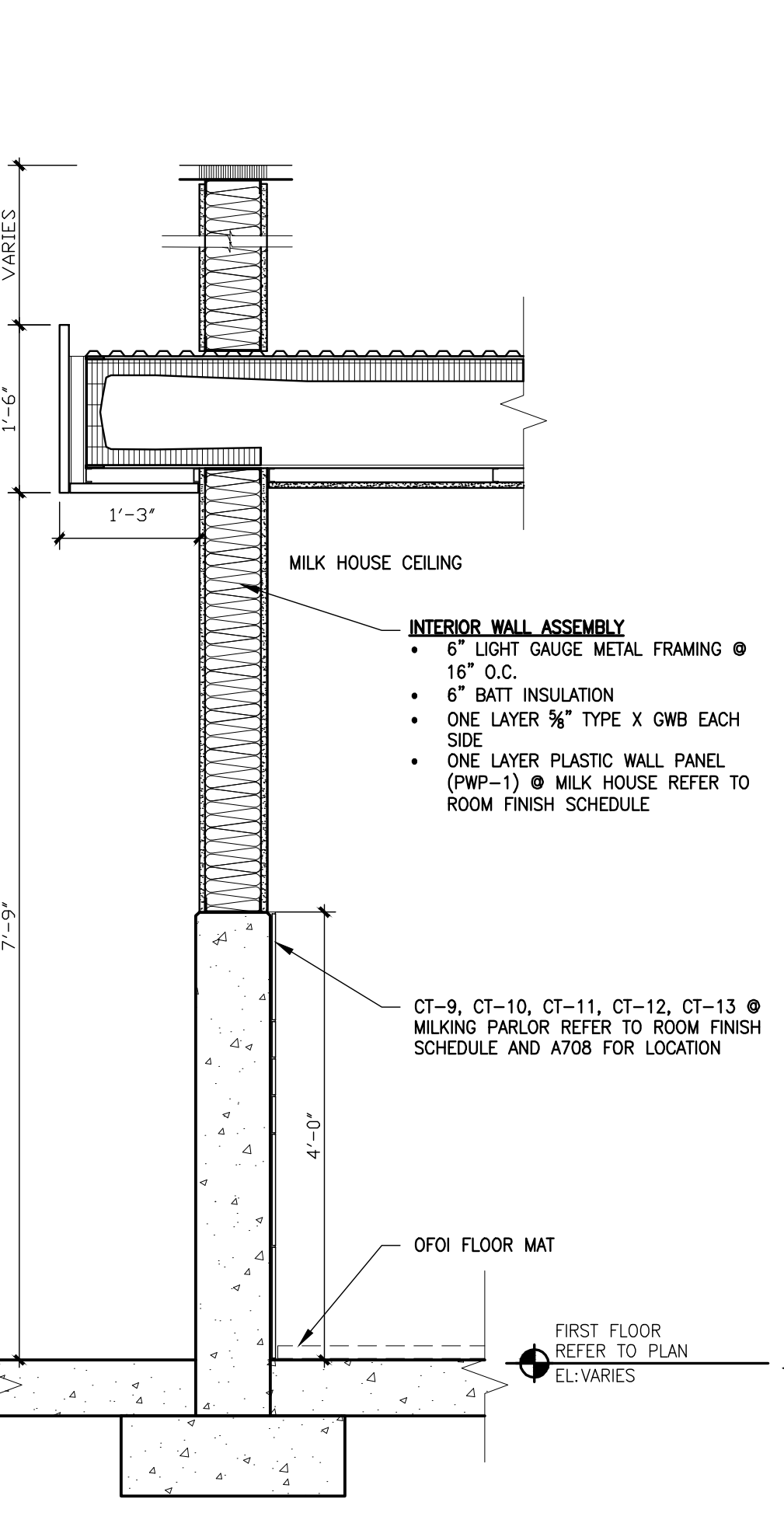
CARLOS RUIZ 2009-03-27 10:27 AM AL\_2013027\_02 - ALLIANT ENERGY CENTER LIVESTOCK & EXHIBITION SPACE EXPANSION 2013027\_02 - ALLIANT ENERGY CENTER - LIVESTOCK AND EXHIBITION HALL DRAWING 2013027\_02-A507.DWG



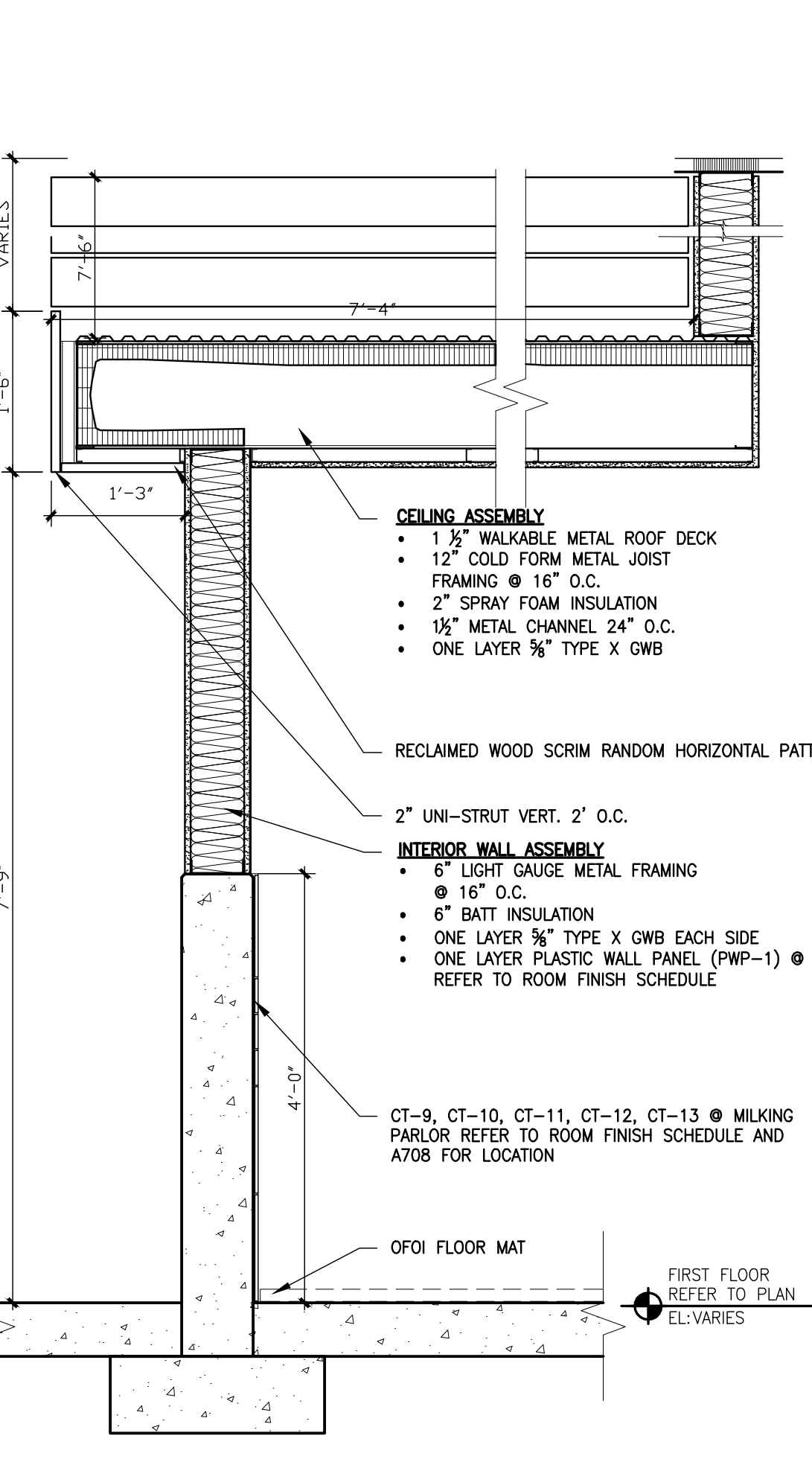
7 WALL SECTION  
SCALE: 3/4"=1'-0"



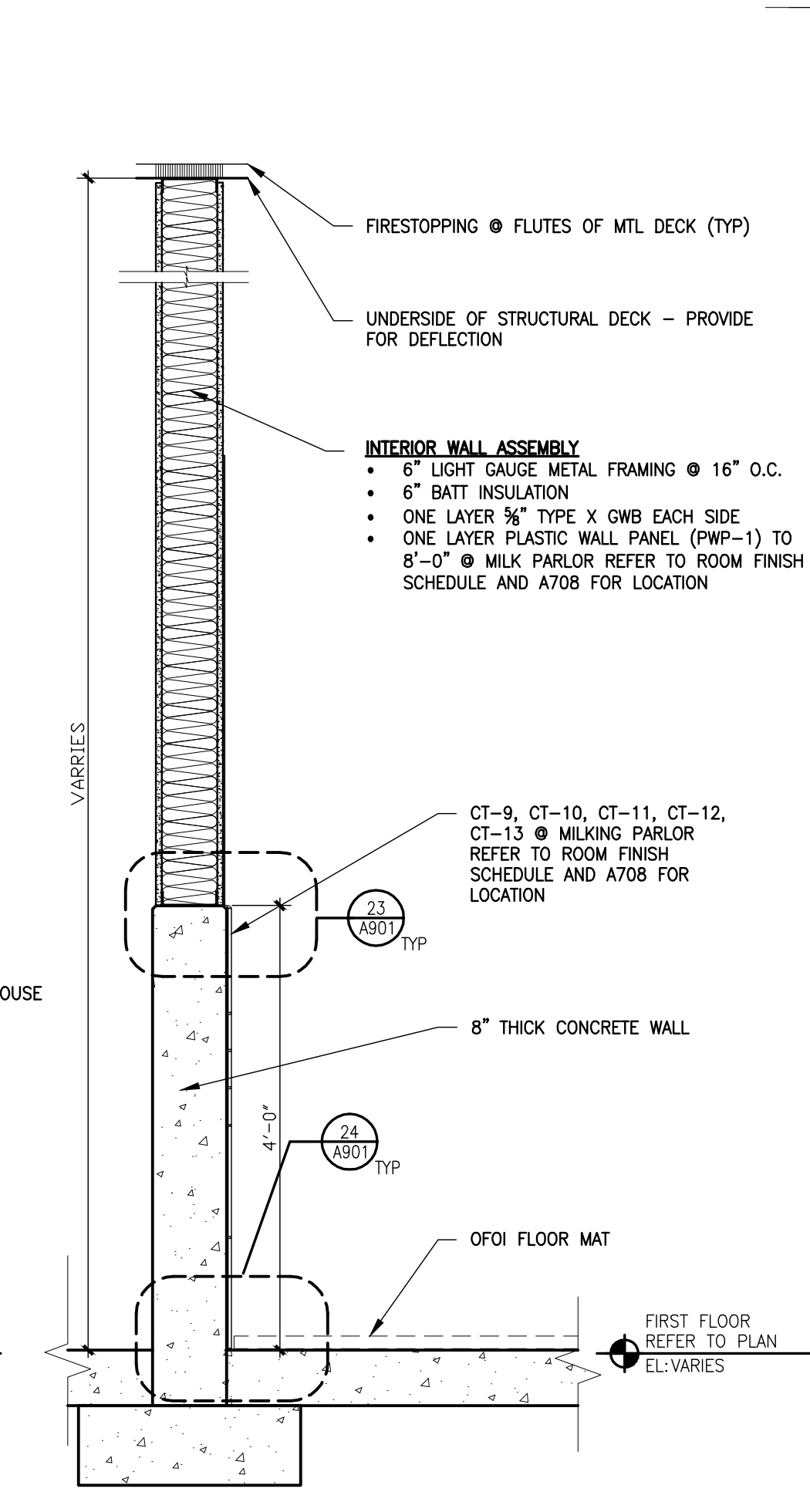
6 WALL SECTION  
SCALE: 3/4"=1'-0"



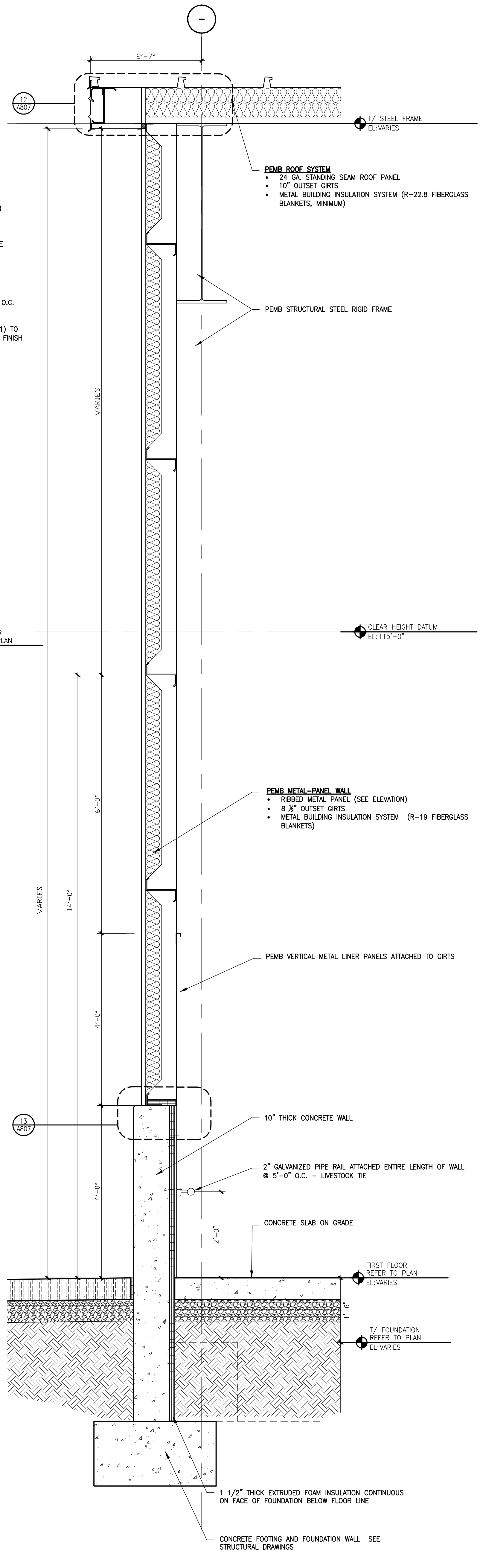
5 WALL SECTION  
SCALE: 3/4"=1'-0"



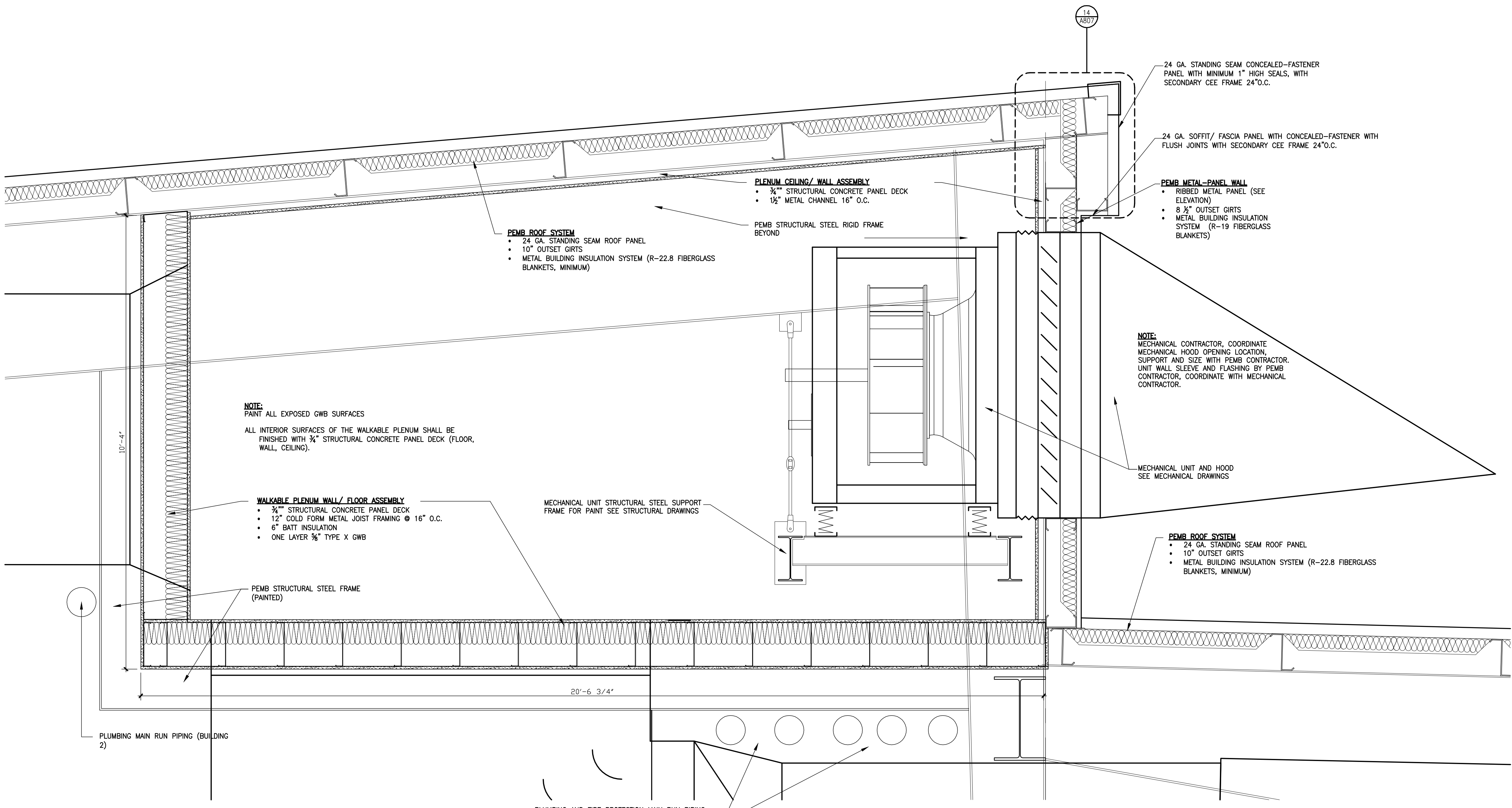
4 WALL SECTION  
SCALE: 3/4"=1'-0"



3 WALL SECTION  
SCALE: 3/4"=1'-0"



1 WALL SECTION  
SCALE: 3/4"=1'-0"



2 WALL SECTION  
SCALE: 3/4"=1'-0"

DRAWING SET	CD
COPYRIGHT	2013
FILE NAME	2013027_02-A508.DWG
REVISIONS	

DRAWN	
CHECKED	RG
DATE	10-29-13
PROJECT NO.	2013027_02
PROJECT TITLE	

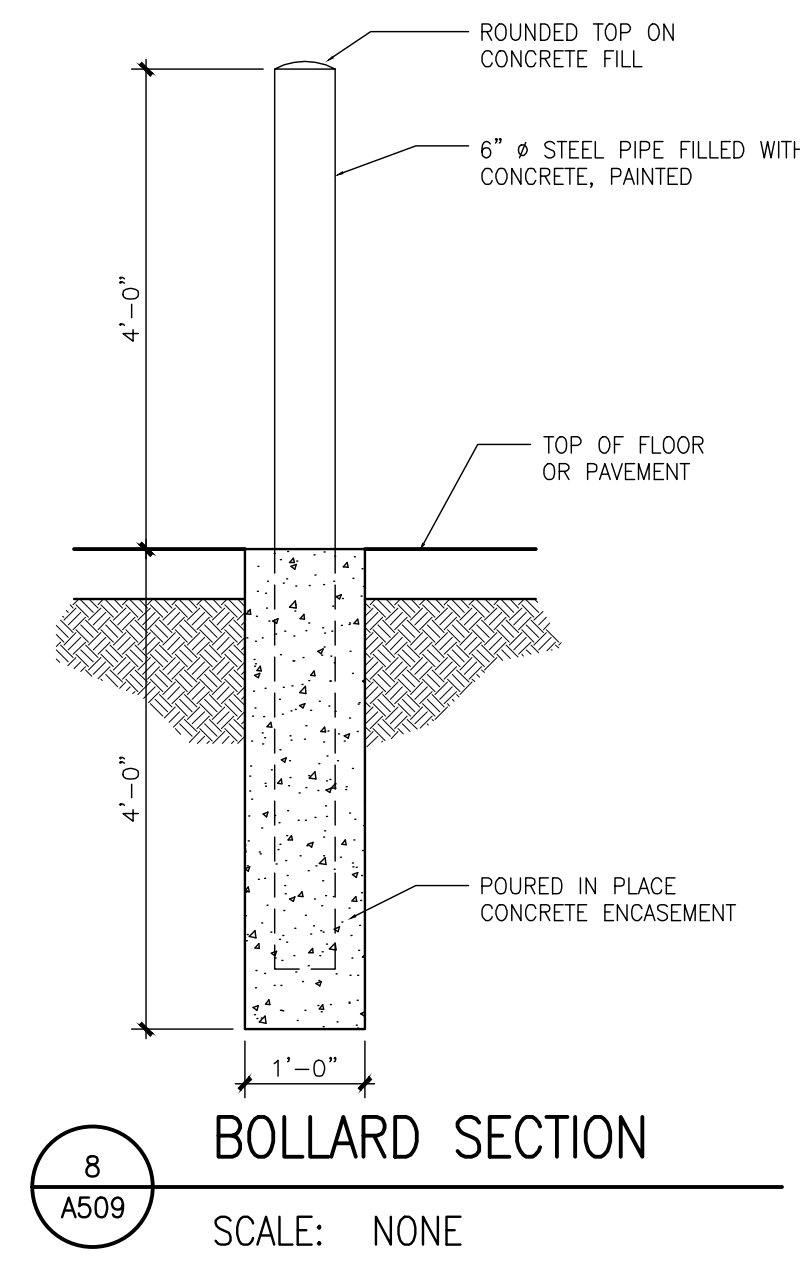
ALLIANT ENERGY CENTER PAVILIONS  
BID # 313072

1919 ALLIANT ENERGY CENTER WAY  
MADISON, WISCONSIN 53713

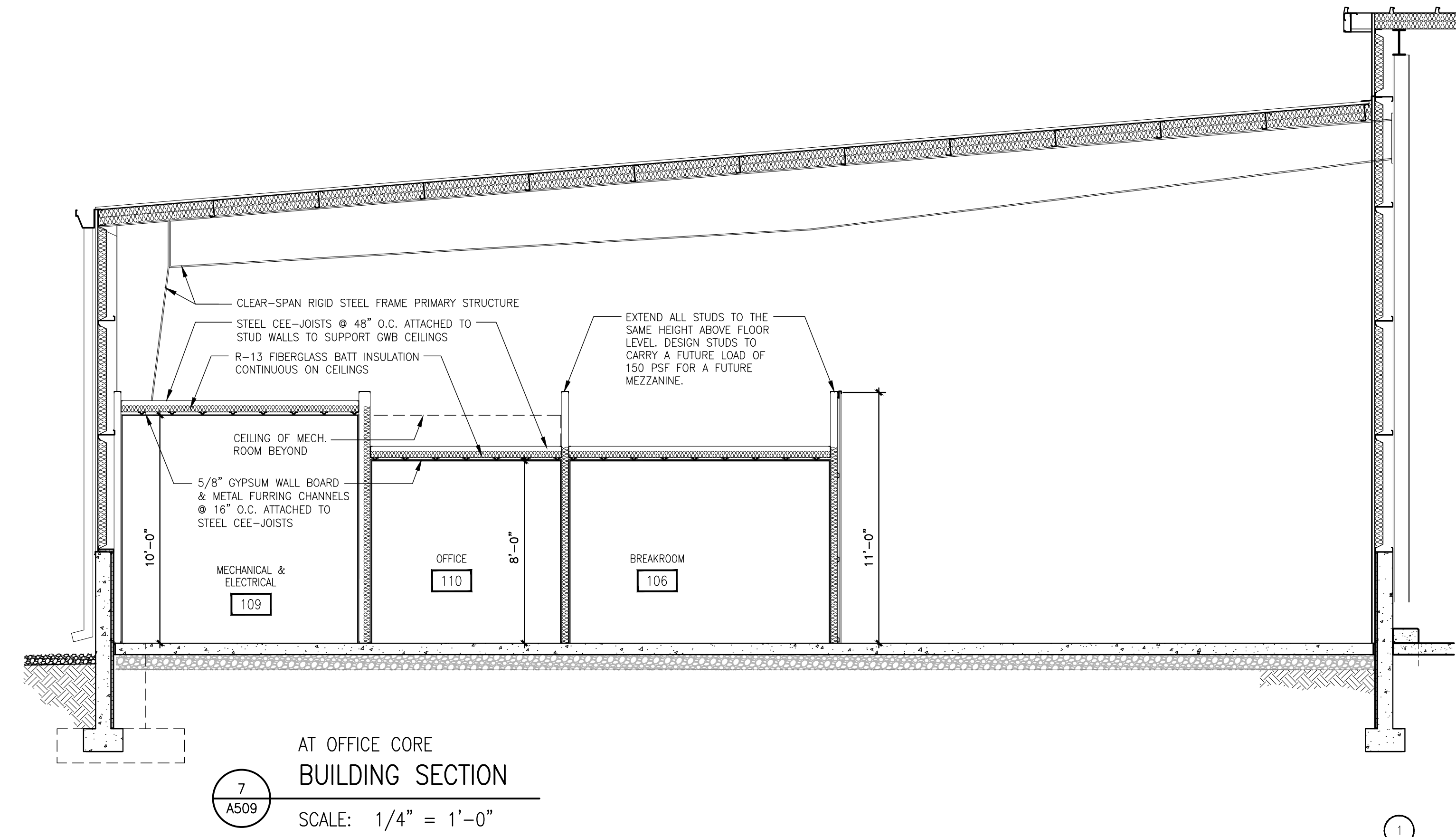
SHEET TITLE  
WALL SECTIONS

SHEET NO.  
A508

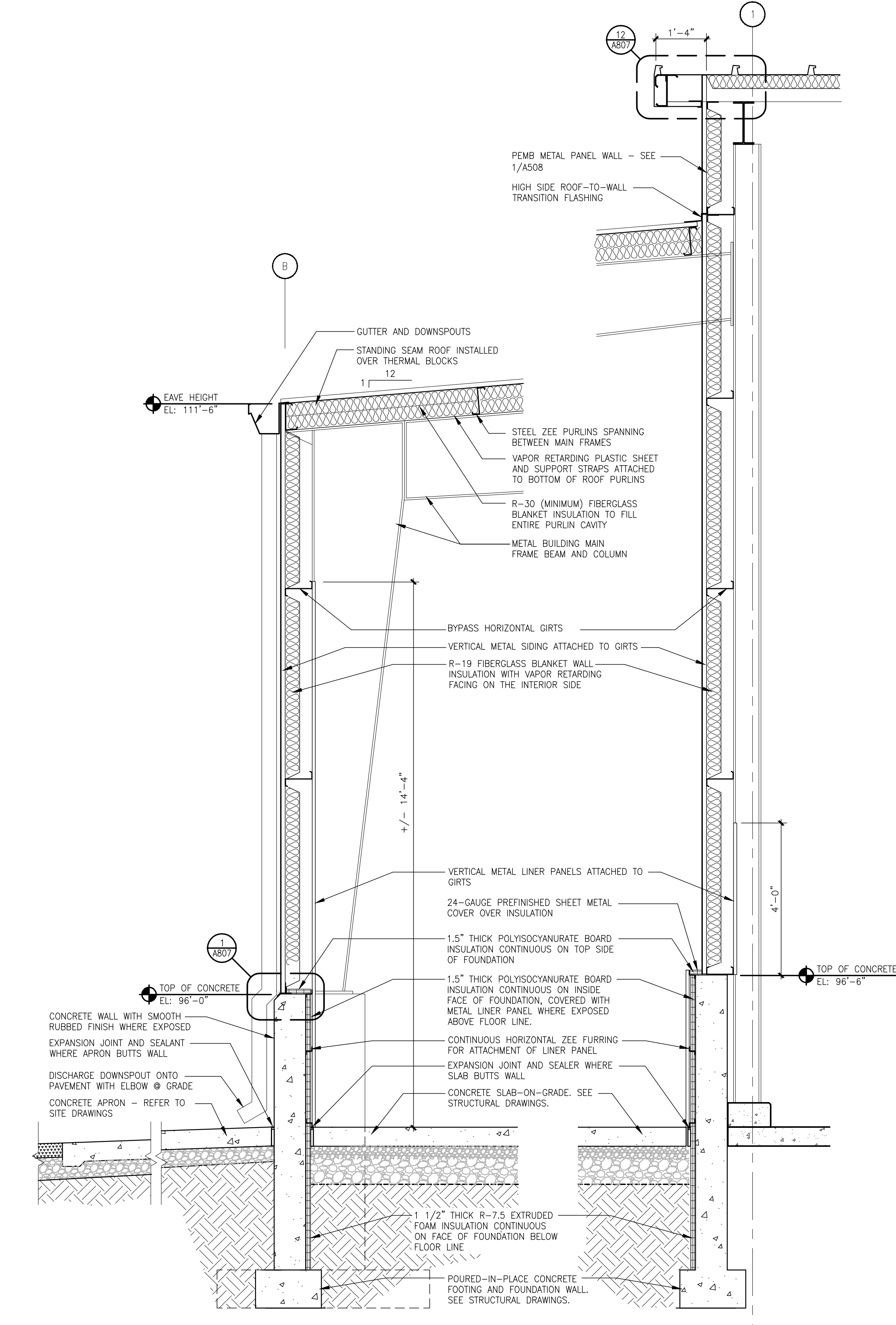
CARLOS RUIZ 2009-6-30 2:27 PM AL\_201302702\_02 - ALLIANT ENERGY CENTER LIVESTOCK & EXHIBITION SPACE EXPANSION 2013027\_02-A508.DWG  
 ALLIANT ENERGY CENTER LIVESTOCK & EXHIBITION SPACE EXPANSION 2013027\_02 - ALLIANT ENERGY CENTER - LIVESTOCK AND EXHIBITION HALL DRAWING 2013027\_02-A508.DWG



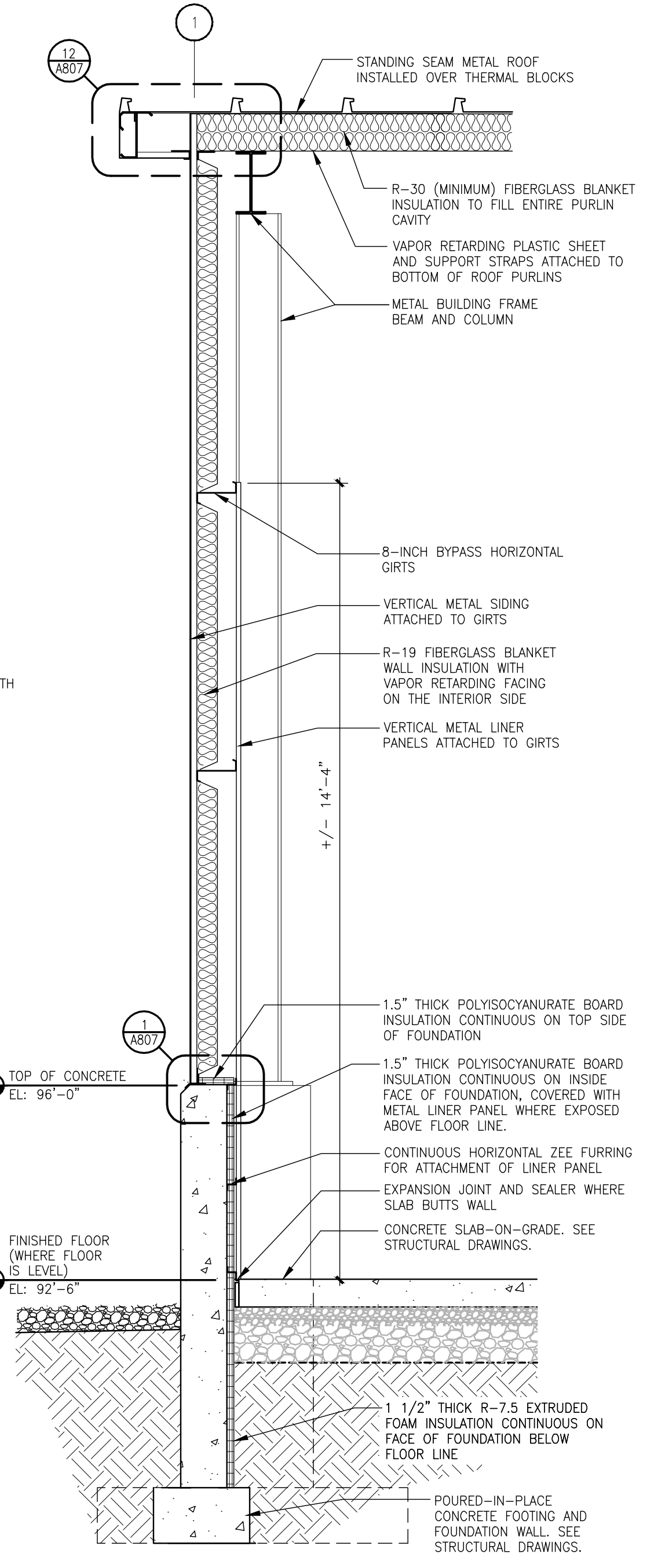
**8**  
A509 **BOLLARD SECTION**  
SCALE: NONE



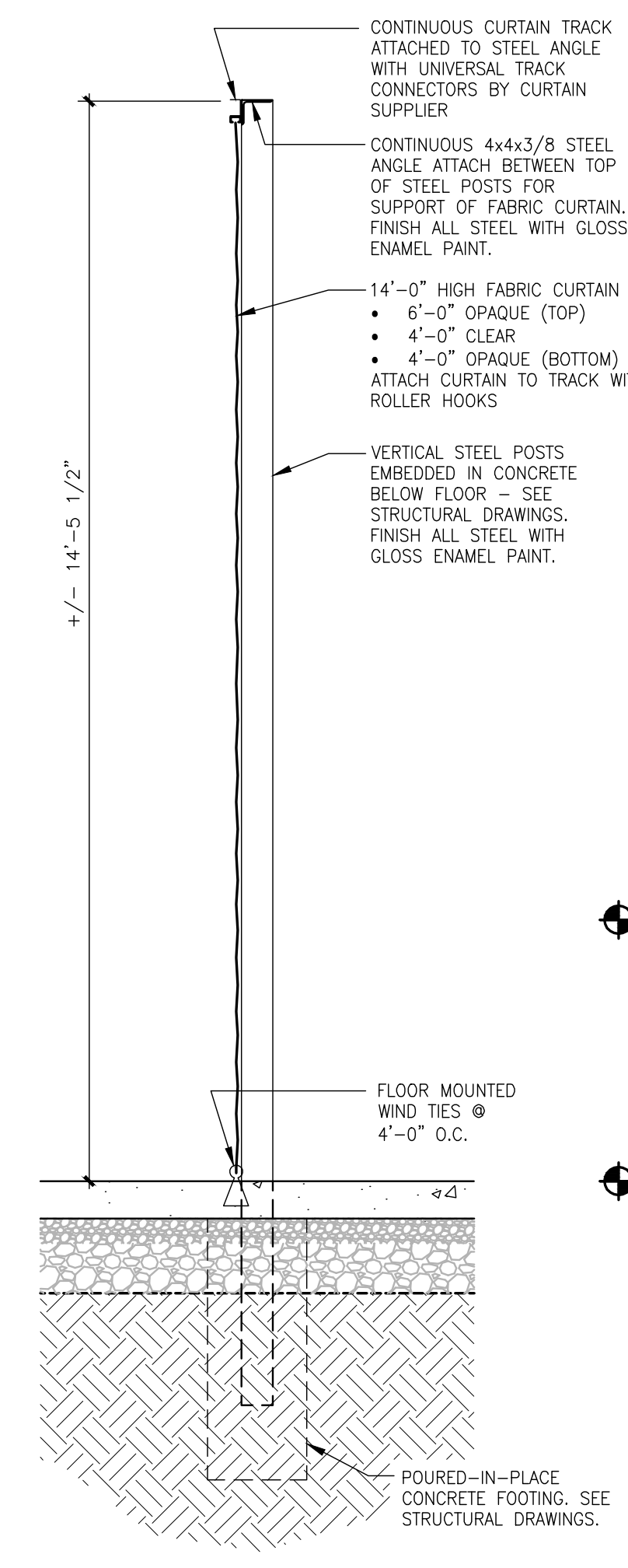
**7**  
A509 **AT OFFICE CORE BUILDING SECTION**  
SCALE: 1/4" = 1'-0"



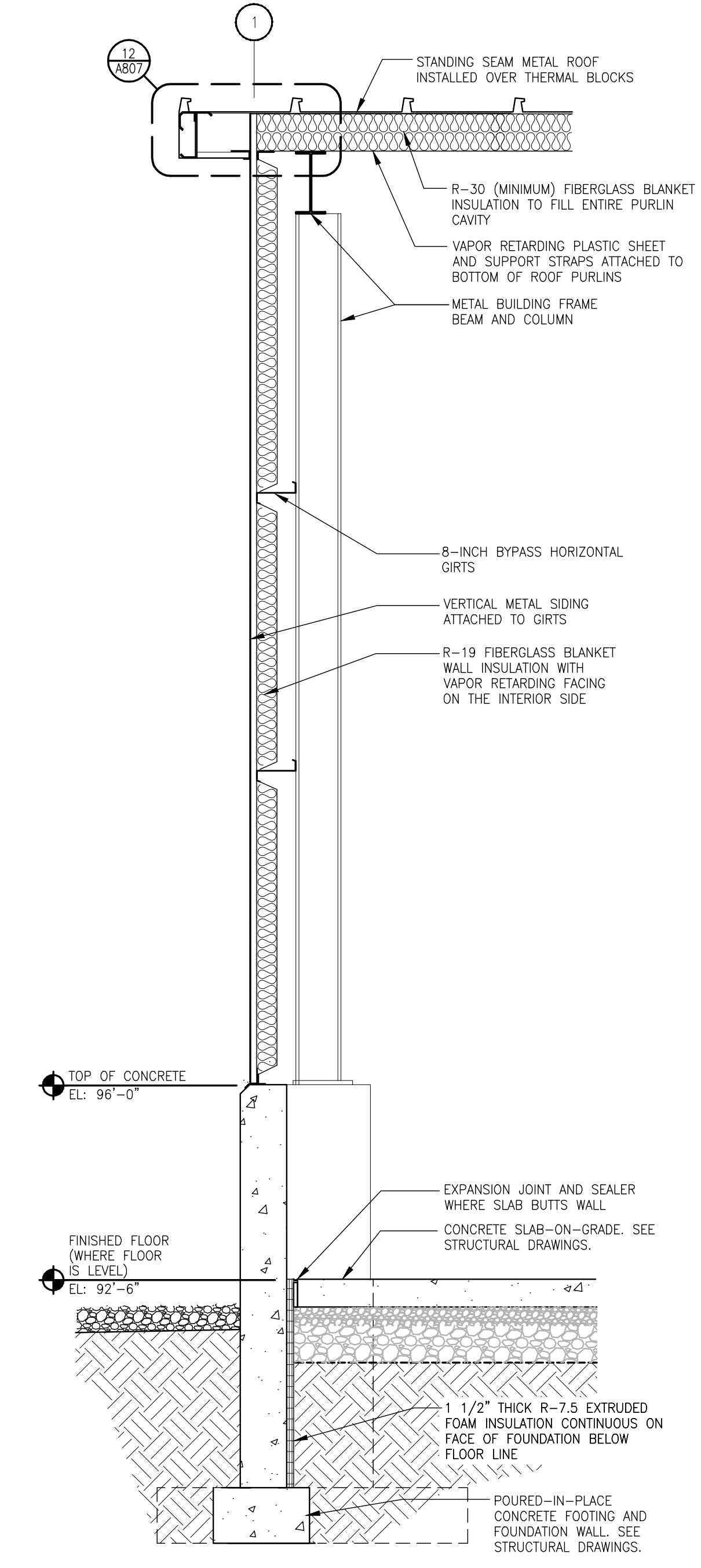
**1**  
A509 **WALL SECTION**  
SCALE: 1/2" = 1'-0"



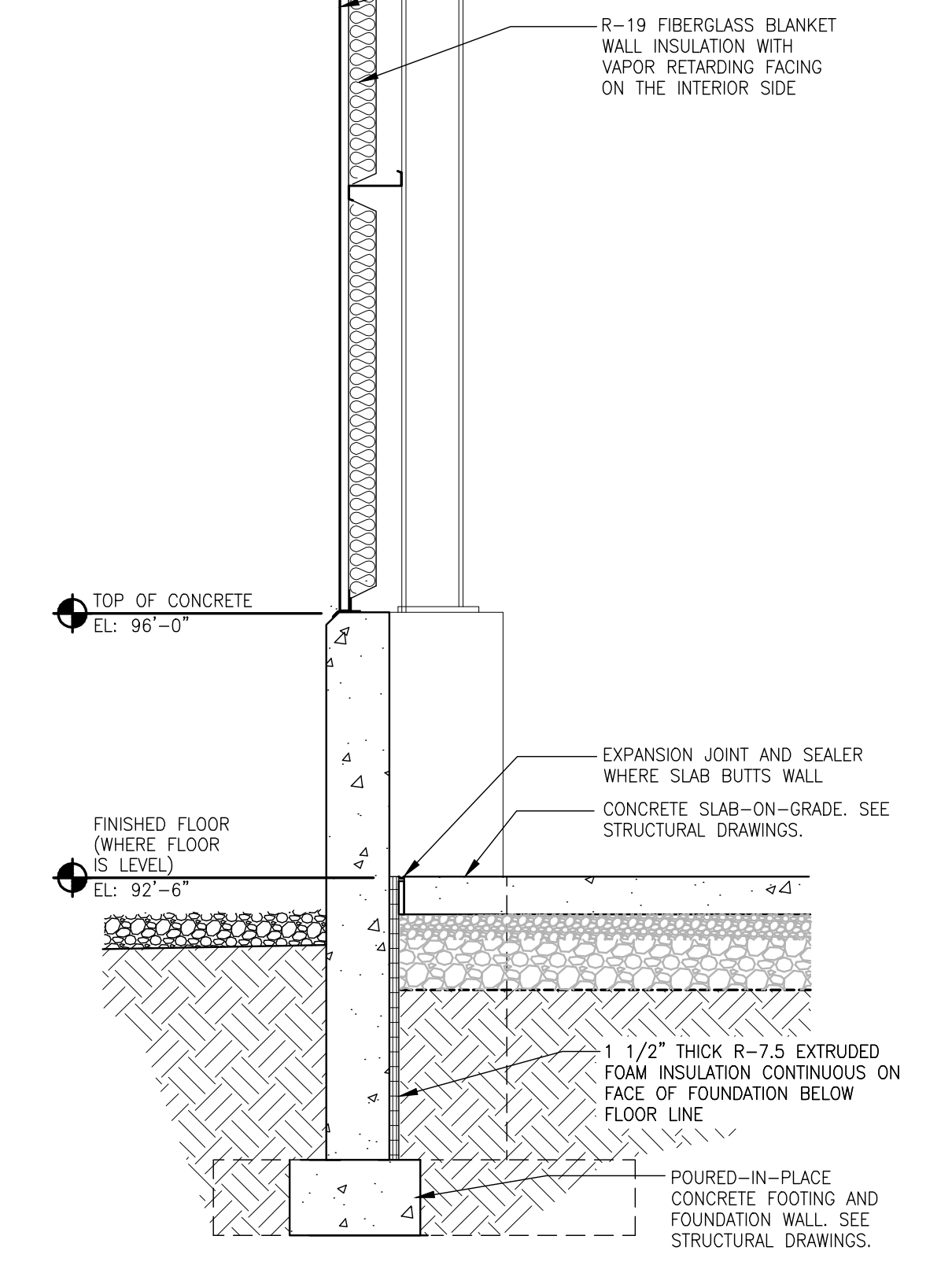
**2**  
A509 **WALL SECTION**  
SCALE: 1/2" = 1'-0"



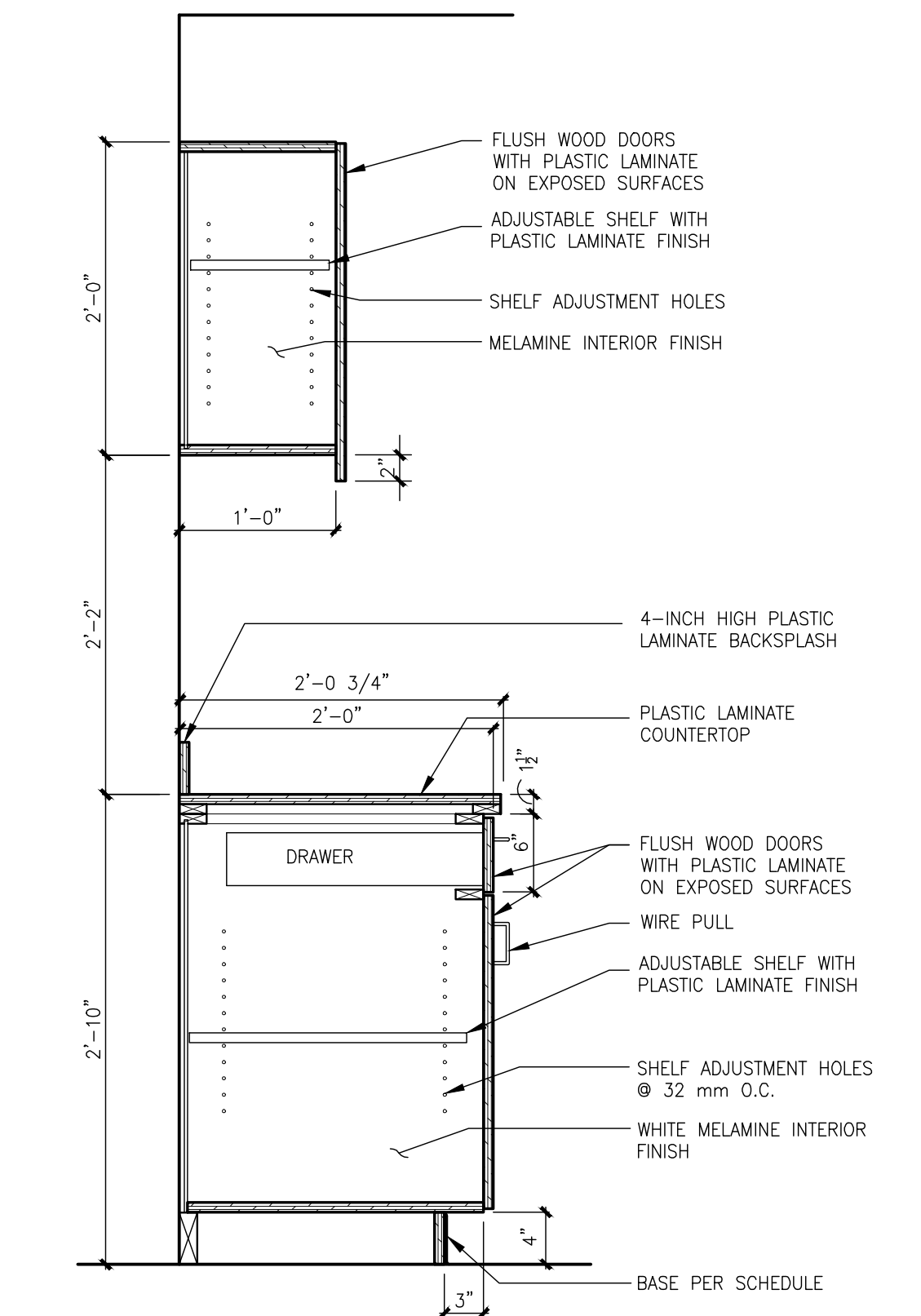
**3**  
A509 **WALL SECTION**  
SCALE: 1/2" = 1'-0"



**4**  
A509 **WALL SECTION**  
SCALE: 1/2" = 1'-0"



**5**  
A509 **WALL SECTION**  
SCALE: 1/2" = 1'-0"



**6**  
A509 **CABINETY SECTION**  
SCALE: 1" = 1'-0"

DRAWING SET	CD
COPYRIGHT	2013
FILE NAME	2013027_02-A509.DWG
REVISIONS	

DRAWN	DV
CHECKED	LB
DATE	10-29-13
PROJECT NO.	2013027_02
PROJECT TITLE	

**ALLIANT ENERGY CENTER PAVILIONS  
BID # 313072**

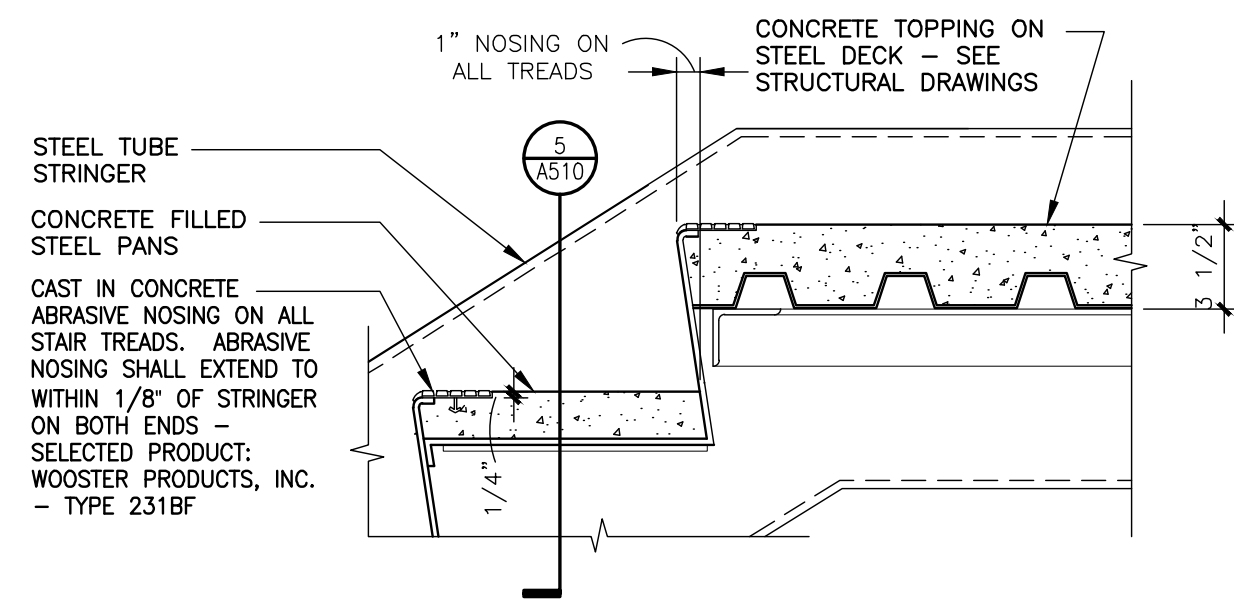
1919 ALLIANT ENERGY CENTER WAY  
MADISON, WISCONSIN 53713

SHEET TITLE  
**WALL SECTIONS  
AREA E**

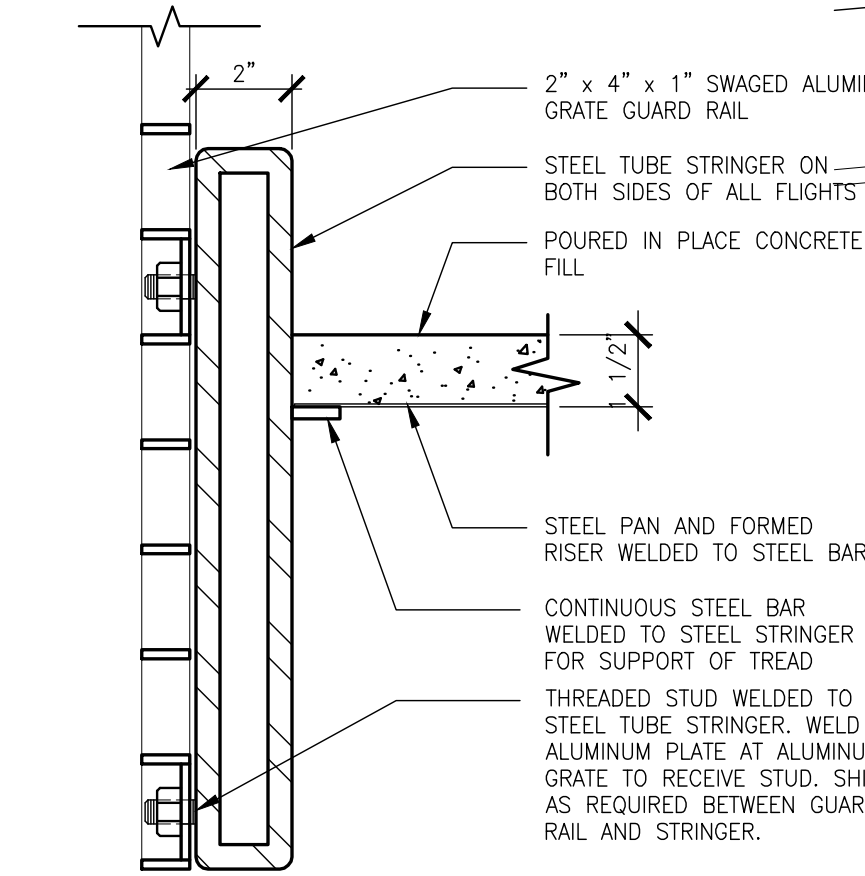
SHEET NO.  
**A509**

CARLOS RUIZ 2013.10.15 4:19 PM K:\20130207\_02-A509.DWG - ALLIANT ENERGY CENTER LIVESTOCK & EXHIBITION SPACE EXPANSION\201302\_02 - ALLIANT ENERGY CENTER - LIVESTOCK AND EXHIBITION HALL DRAWINGS\201302\_02-A509.DWG  
 20131015 04:19 PM  
 20131015 04:19 PM  
 20131015 04:19 PM

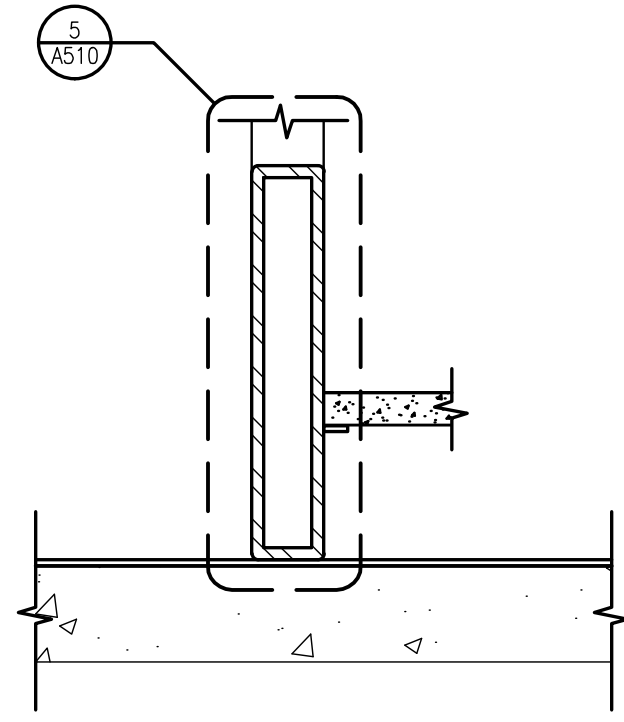




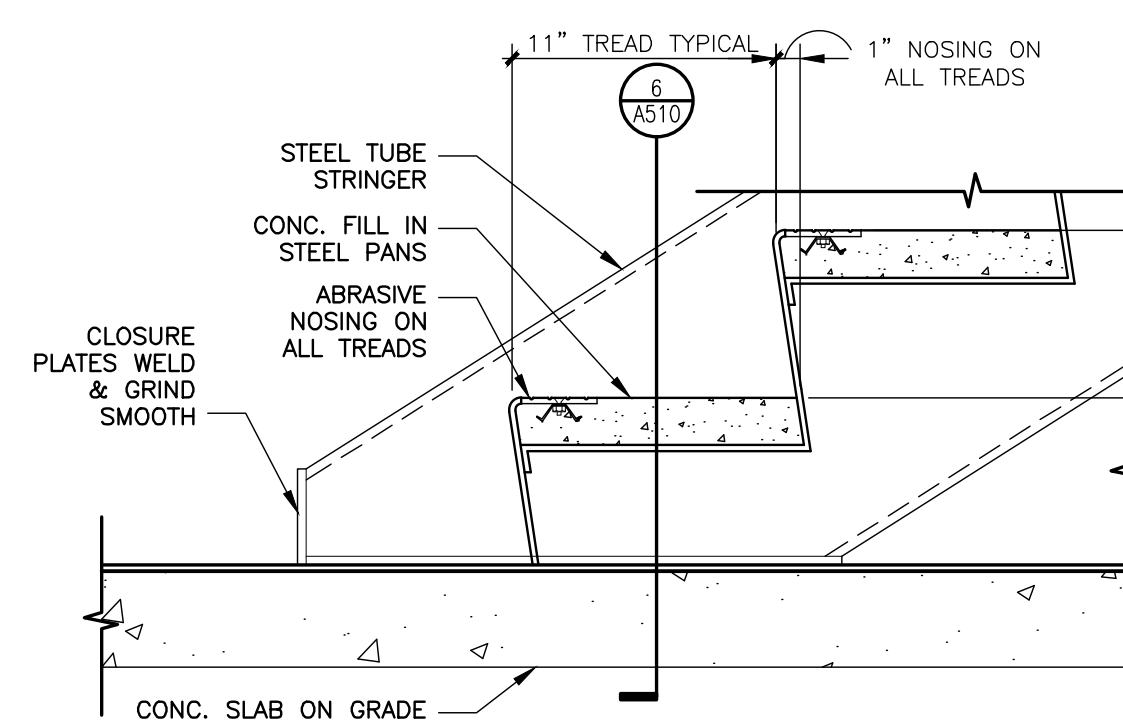
4 SECTION @ TOP STEP  
SCALE: 1 1/2" = 1'-0"



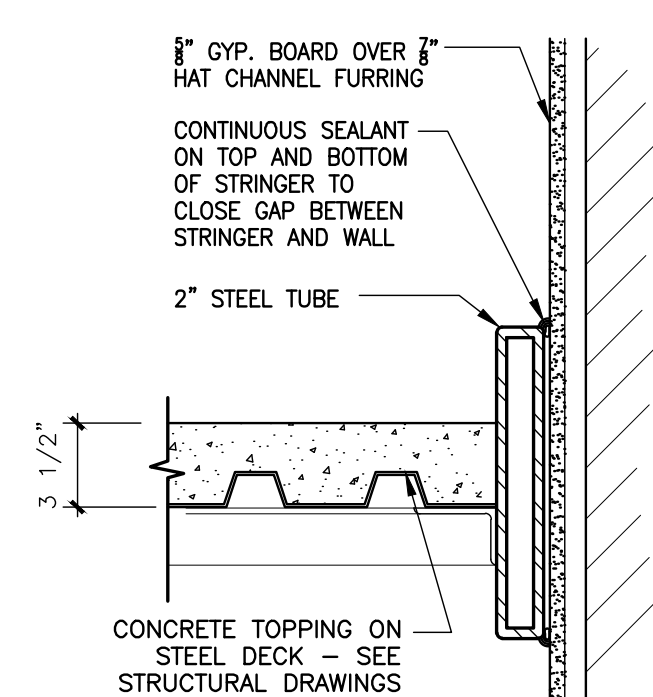
5 TREAD CONN. TO STRINGER  
SCALE: 3" = 1'-0"



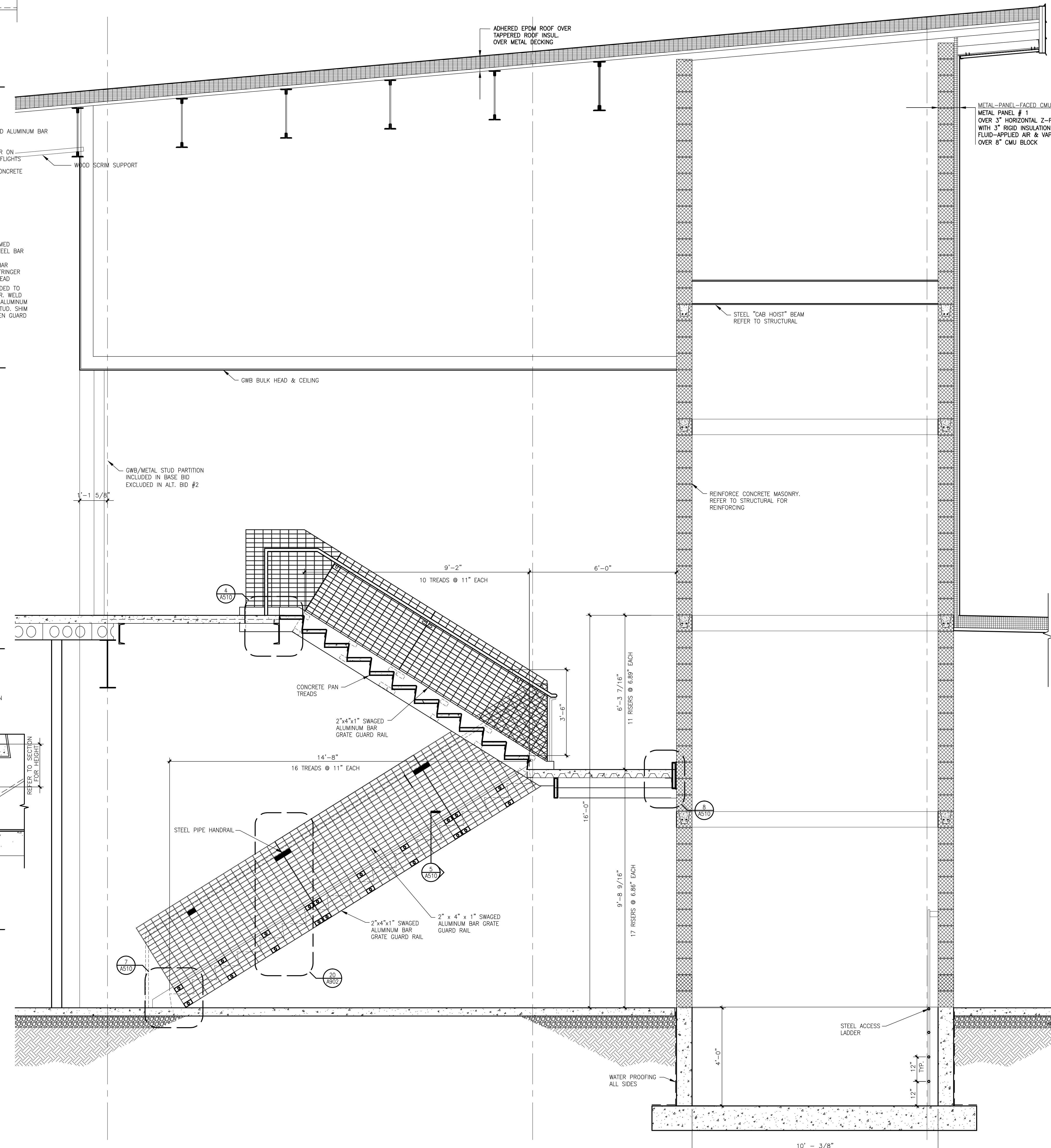
6 SECTION @ FIRST STEP  
SCALE: 1 1/2" = 1'-0"



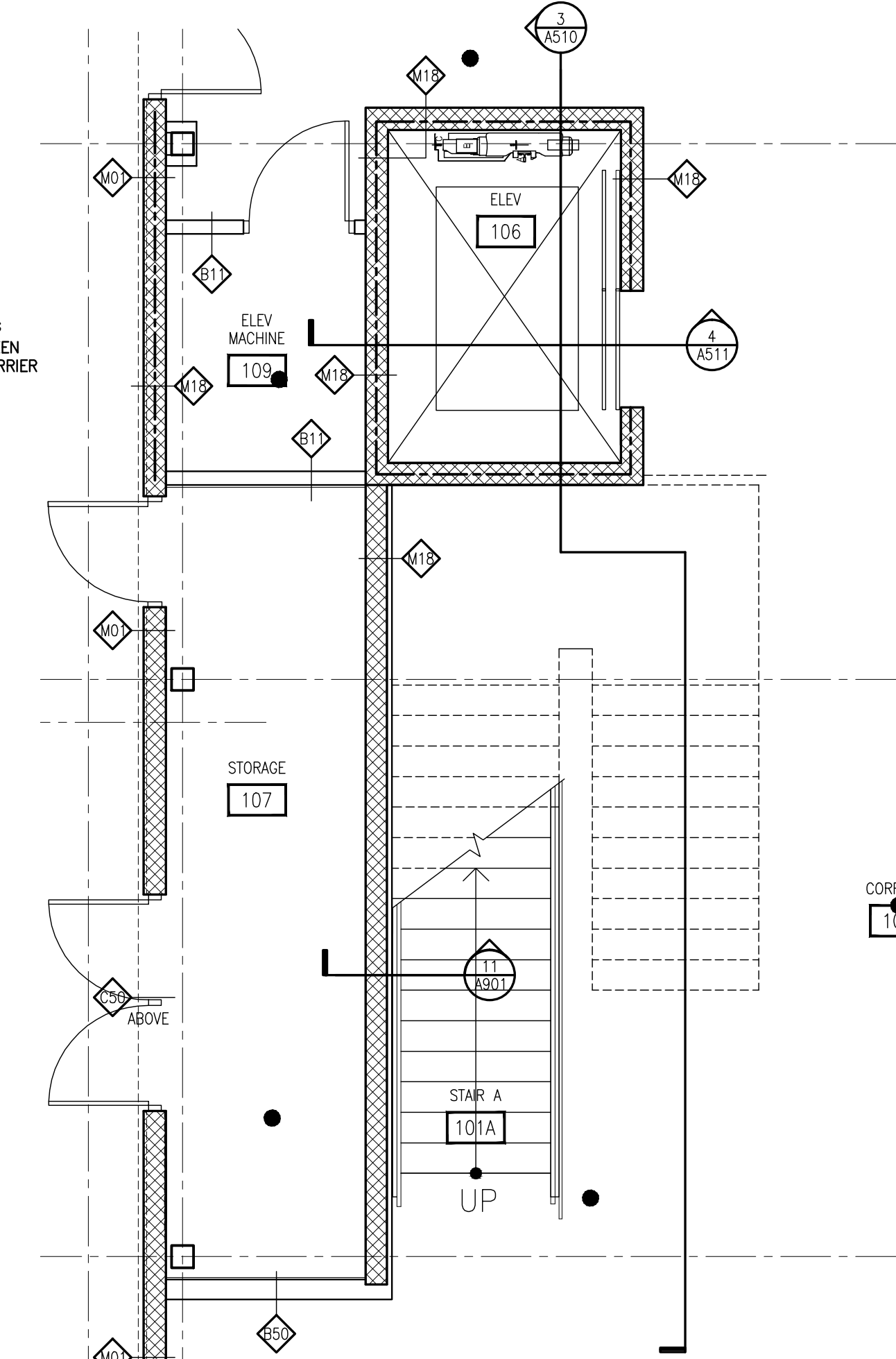
7 SECTION @ FIRST STEP  
SCALE: 1 1/2" = 1'-0"



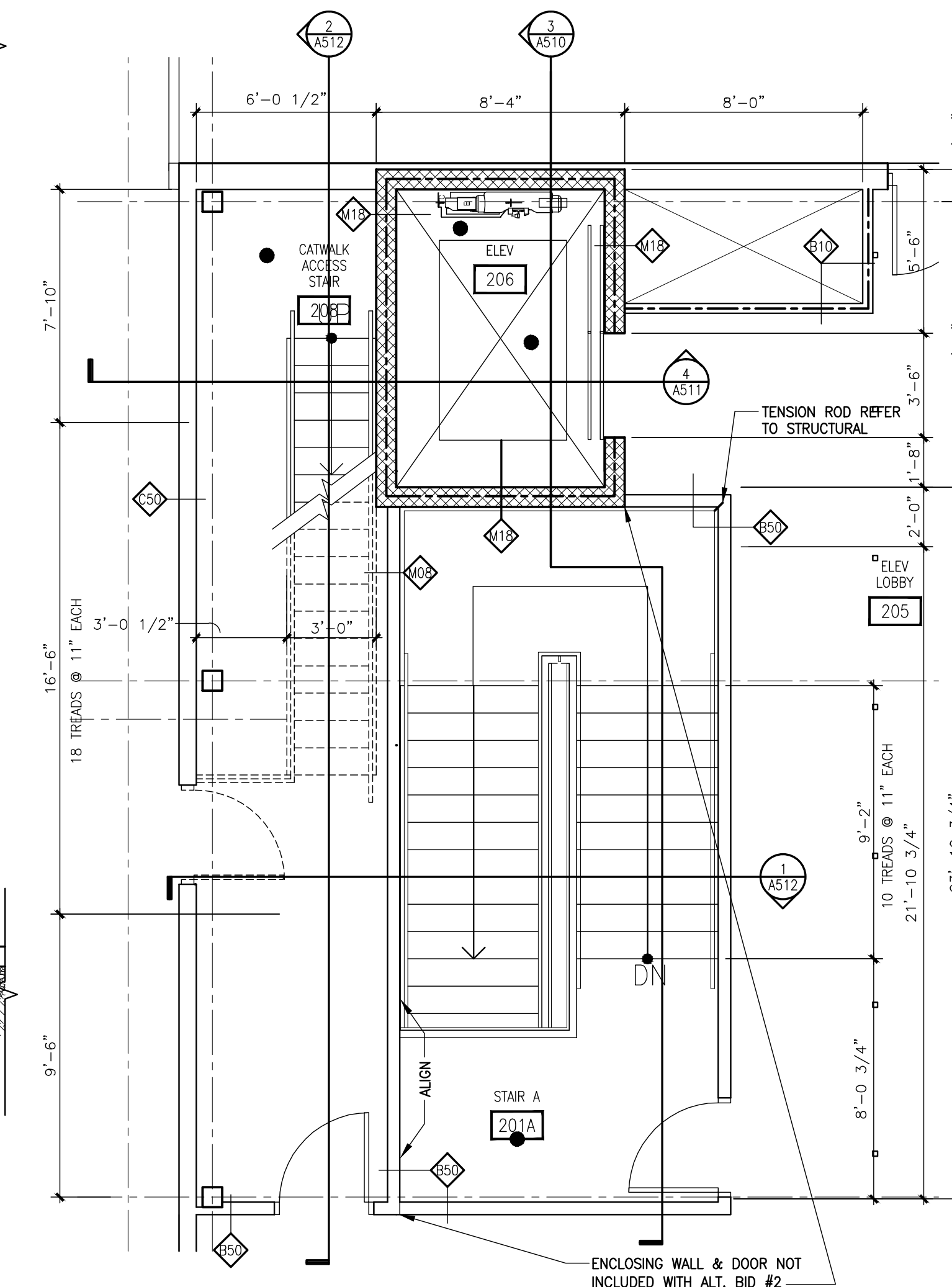
8 SECTION @ LANDING  
SCALE: 1 1/2" = 1'-0"



3 SECTION - STAIR A AND ELEVATOR  
SCALE: 1/2" = 1'-0"



1 FIRST FLOOR PLAN - STAIR A  
SCALE: 1/4" = 1'-0"



2 SECOND FLOOR PLAN - STAIR A  
SCALE: 1/4" = 1'-0"

DRAWING SET	CD
COPYRIGHT	2013
FILE NAME	2013027_02-A510.DWG
REVISIONS	

DRAWN	MJ
CHECKED	RG
DATE	10-29-13
PROJECT NO.	2013027_02
PROJECT TITLE	

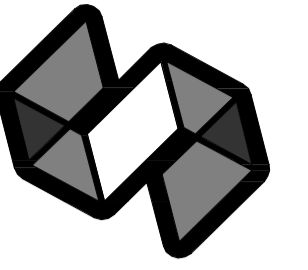
ALLIANT ENERGY CENTER PAVILIONS  
BID # 313072

1919 ALLIANT ENERGY CENTER WAY  
MADISON, WISCONSIN 53713

SHEET TITLE  
ELEVATOR  
& STAIR  
PLANS AND SECTIONS

SHEET NO.  
A510

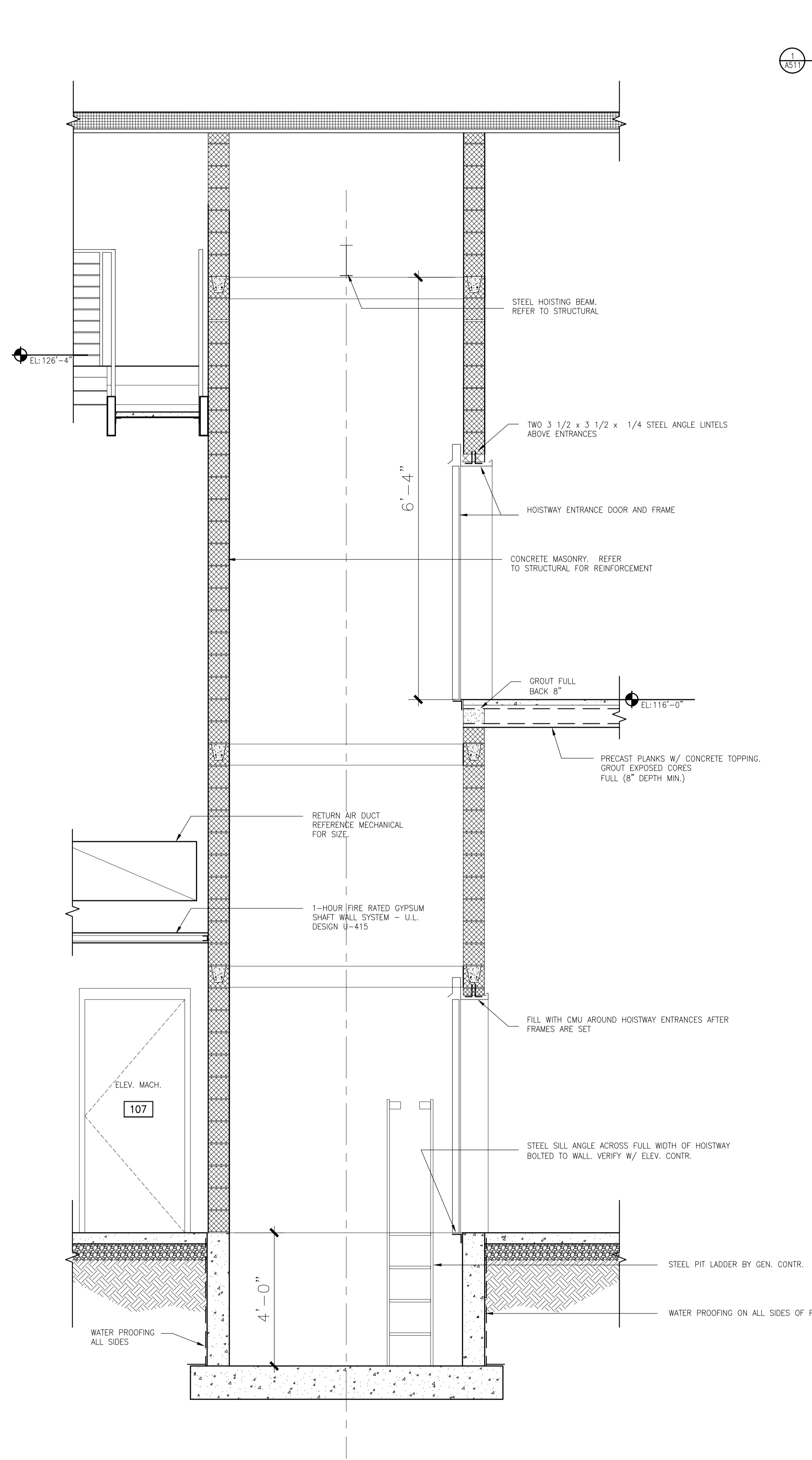
CARLOS RUIZ 2009-6-30 2:27 PM PL\_A510\_2013027\_02 - ALLIANT ENERGY CENTER - LIVERSTOCK AND EXHIBITION HALL DRAWING 2013027\_02-A510.DWG



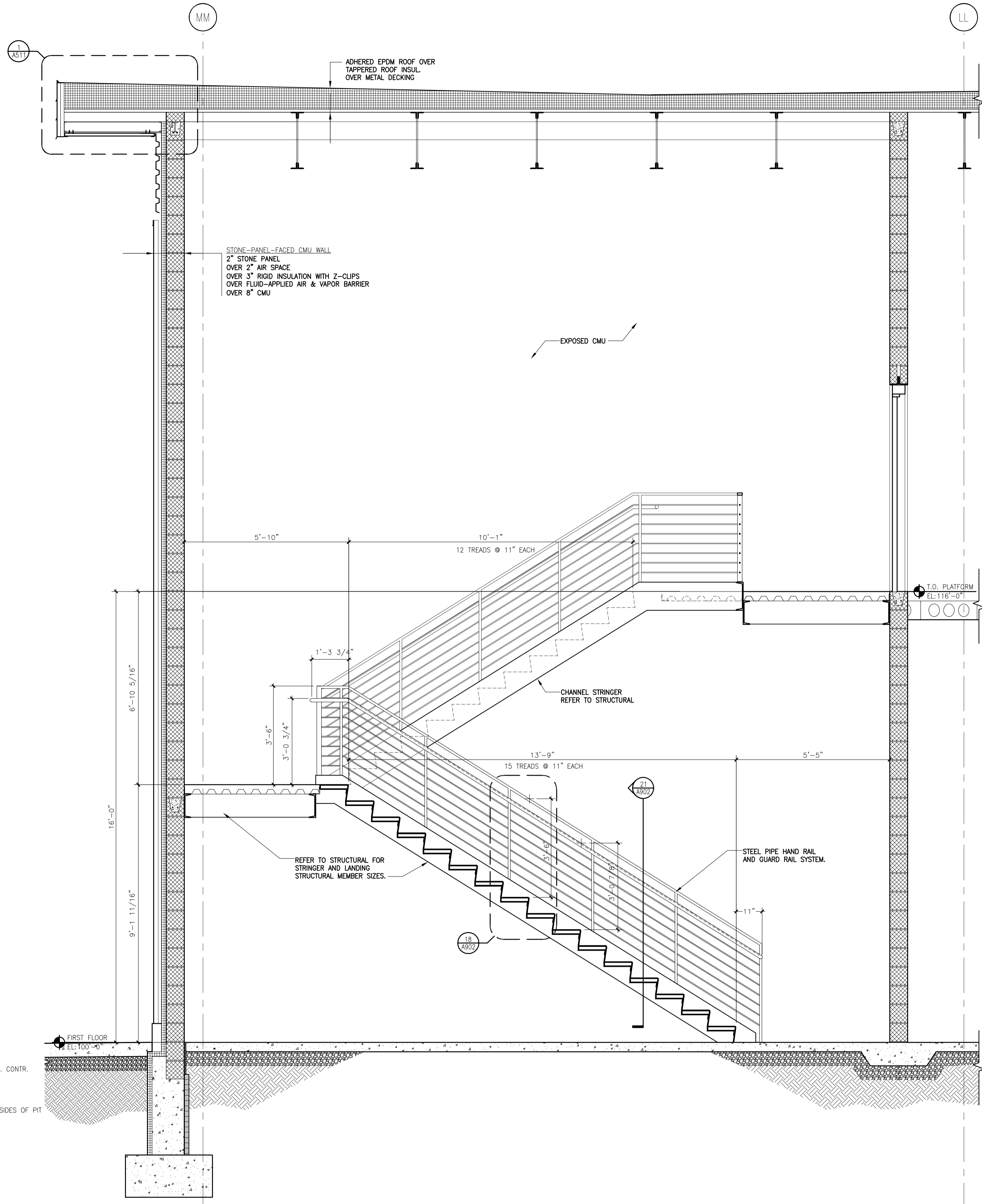
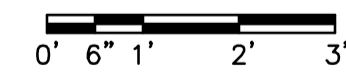
**STRANG**

ARCHITECTURE  
ENGINEERING  
INTERIOR DESIGN

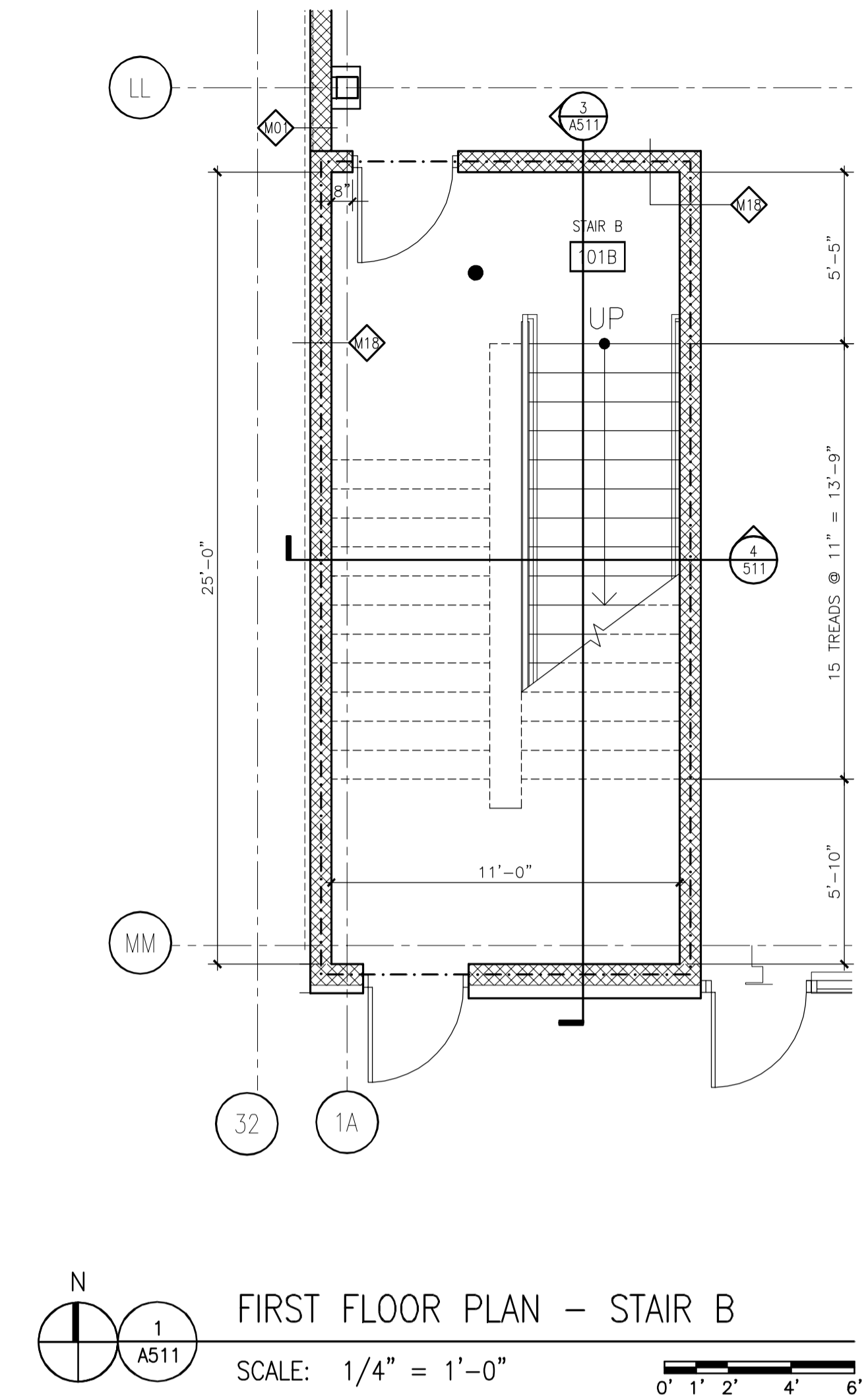
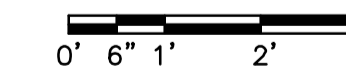
STRANG INC.  
8411 MINERAL POINT ROAD  
MADISON, WI 53705-4395  
T/ 608 276 9200  
F/ 608 276 9204



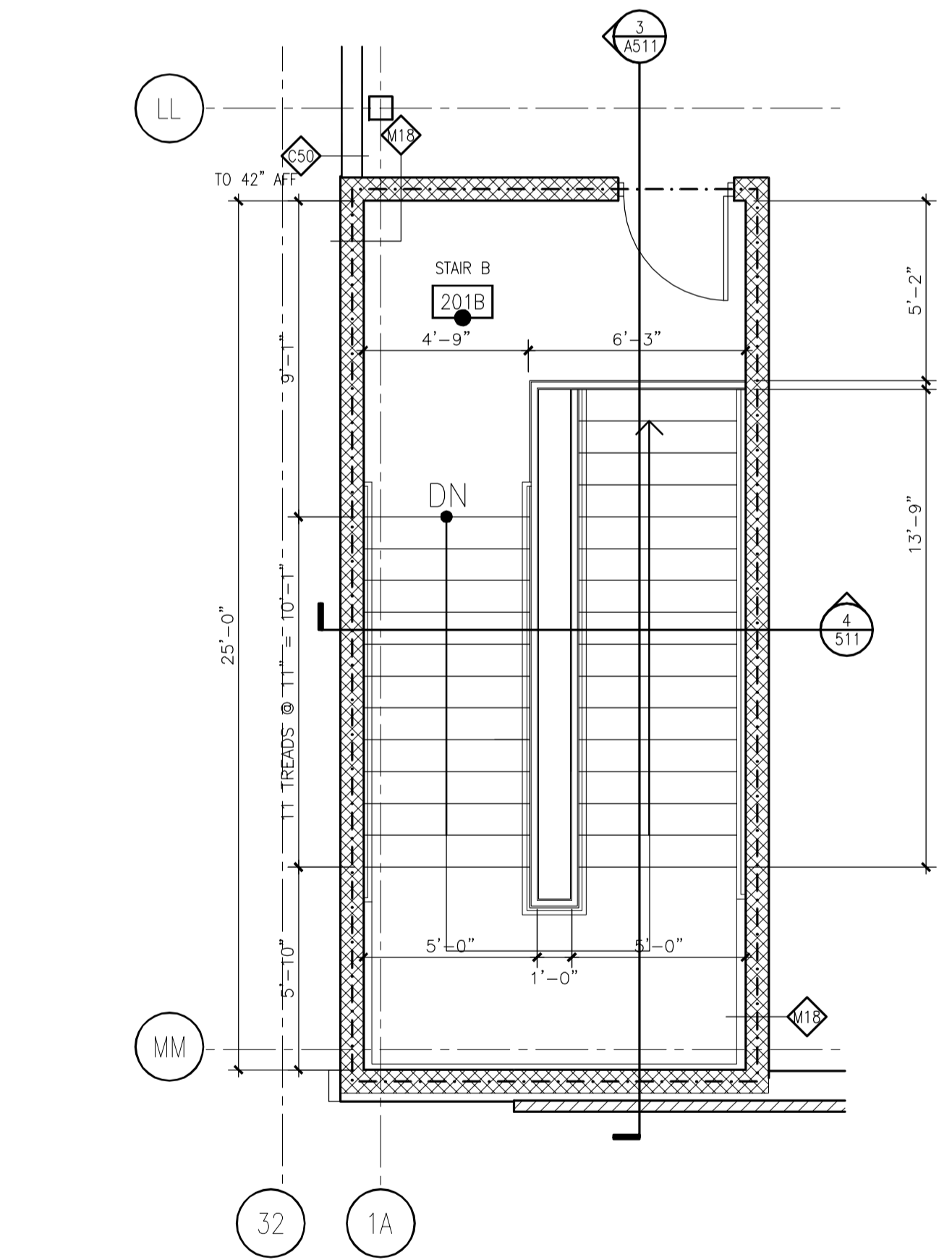
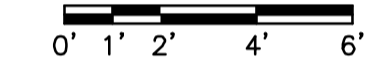
4  
A511  
ELEVATOR SECTION  
SCALE: 1/2" = 1'-0"



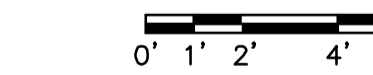
3  
A511  
STAIR SECTION - STAIR B  
SCALE: 1/2" = 1'-0"



1  
A511  
FIRST FLOOR PLAN - STAIR B  
SCALE: 1/4" = 1'-0"



2  
A511  
SECOND FLOOR PLAN - STAIR B  
SCALE: 1/4" = 1'-0"



DRAWING SET	CD
COPYRIGHT	2013
FILE NAME	2013027_02-A511.DWG
REVISIONS	
DRAWN	MJ
CHECKED	RG
DATE	10-29-13
PROJECT NO.	2013027_02
PROJECT TITLE	

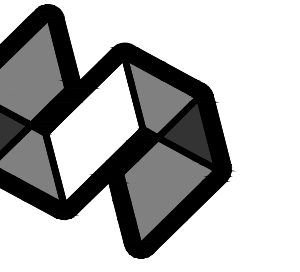
**ALLIANT ENERGY CENTER PAVILIONS  
BID # 313072**

1919 ALLIANT ENERGY CENTER WAY  
MADISON, WISCONSIN 53713

SHEET TITLE  
**ELEVATOR,  
STAIR PLANS,  
SECTIONS & DETAILS**

SHEET NO.  
**A511**

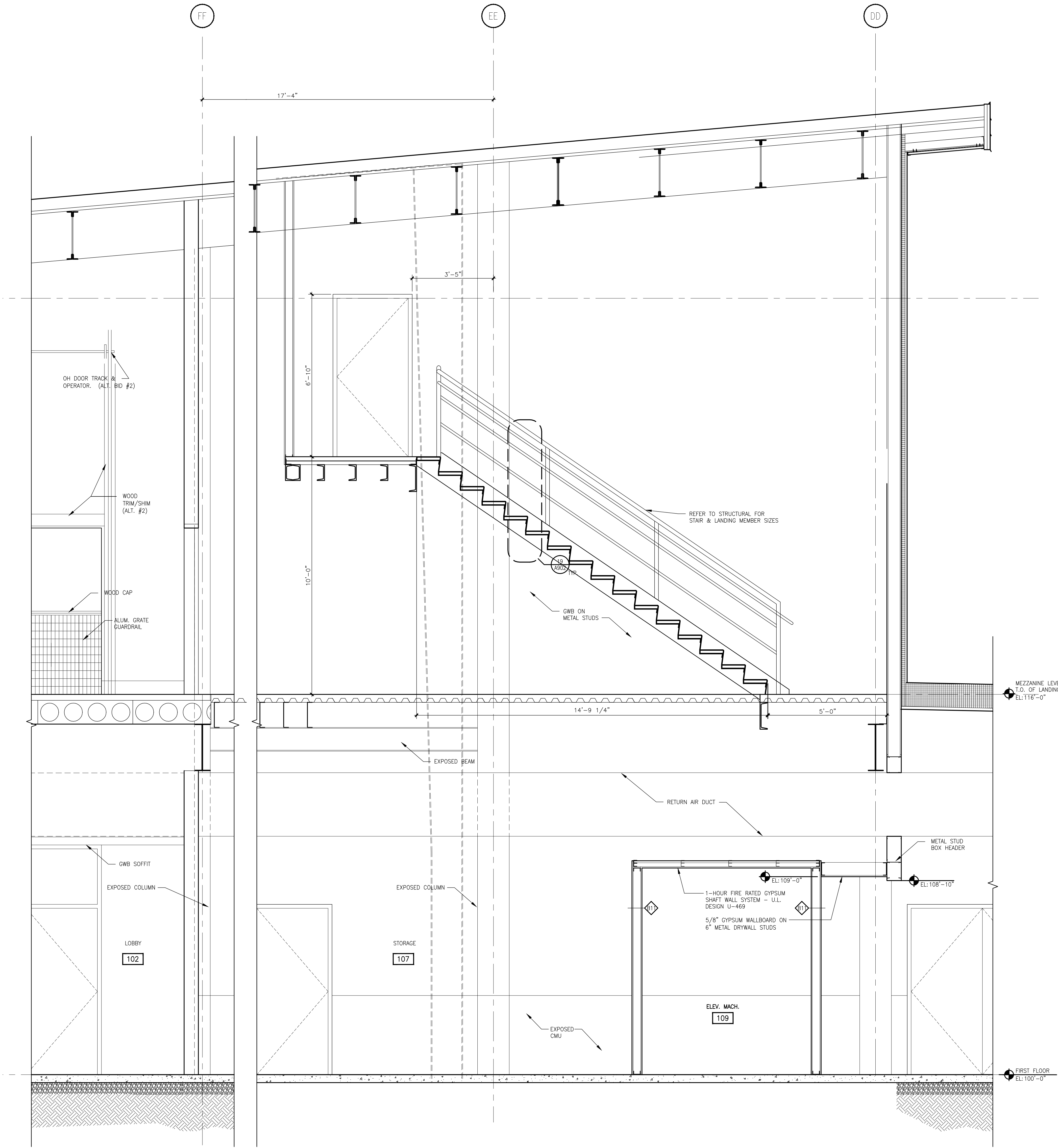
CARLOS RUIZ 2009.06.30 2:27 PM K:\2013\3013027 - ALLIANT ENERGY CENTER LIVESTOCK & EXHIBITION SPACE EXPANSION\2013027\_02 - ALLIANT ENERGY CENTER LIVESTOCK AND EXHIBITION HALL\DRAWINGS\2013027\_02-A511.DWG



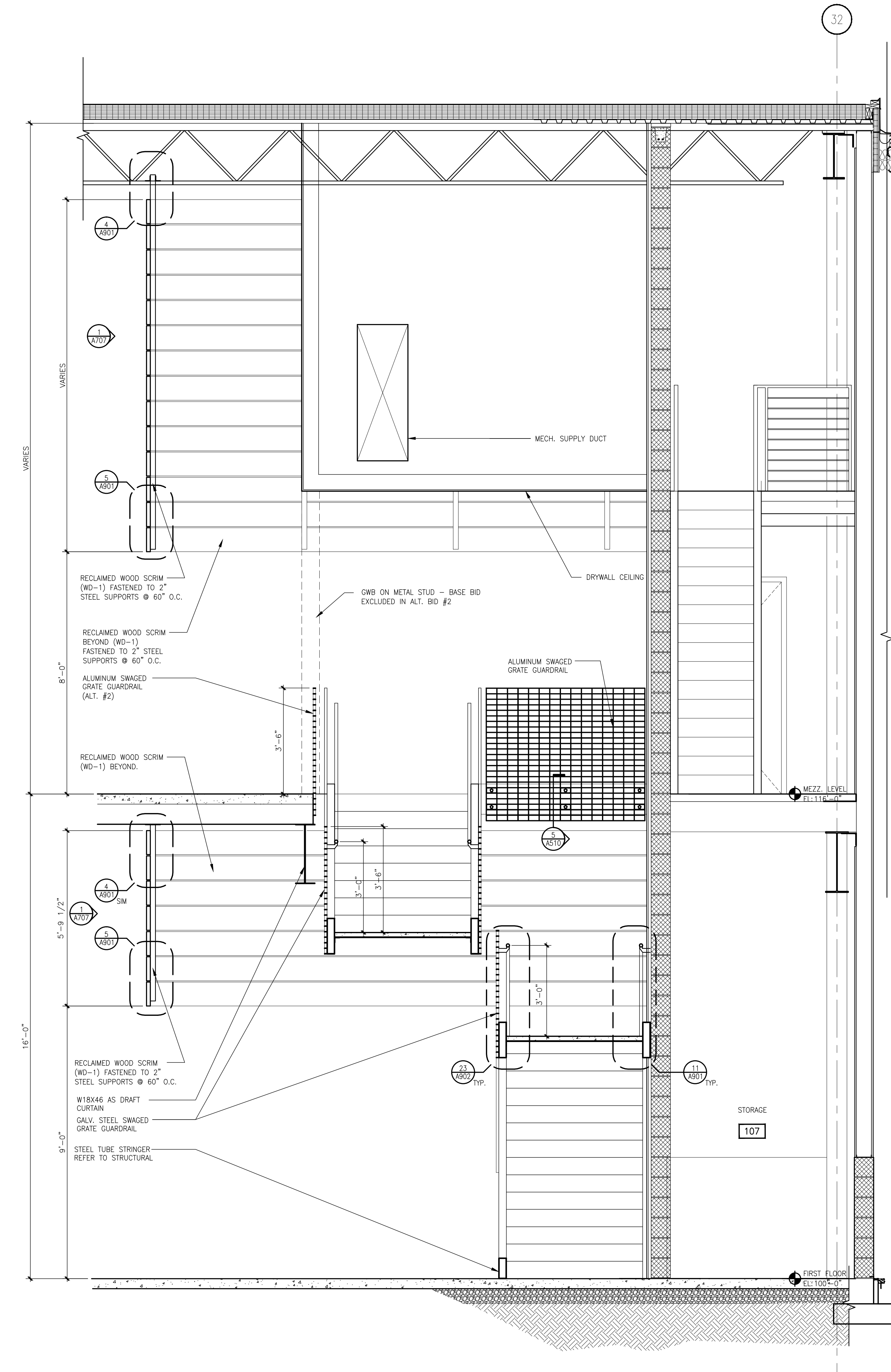
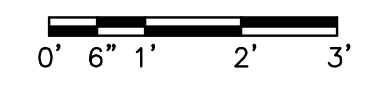
**STRANG**

ARCHITECTURE  
ENGINEERING  
INTERIOR DESIGN

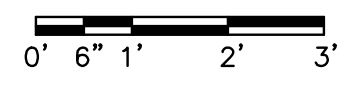
STRANG INC.  
6413 MINERAL POINT ROAD  
MADISON, WI 53705-4395  
T/ 608 276 9200  
F/ 608 276 9204



2  
A512  
STAIR SECTION - STAIR C  
SCALE: 1/2" = 1'-0"



1  
A512  
STAIR SECTION - STAIR A  
SCALE: 1/2" = 1'-0"



DRAWING SET	CD
COPYRIGHT	2013
FILE NAME	2013027_02-A512.DWG
REVISIONS	09-17-13
DRAWN	IR
CHECKED	DH
DATE	10-29-13
PROJECT NO.	2013027_02
PROJECT TITLE	

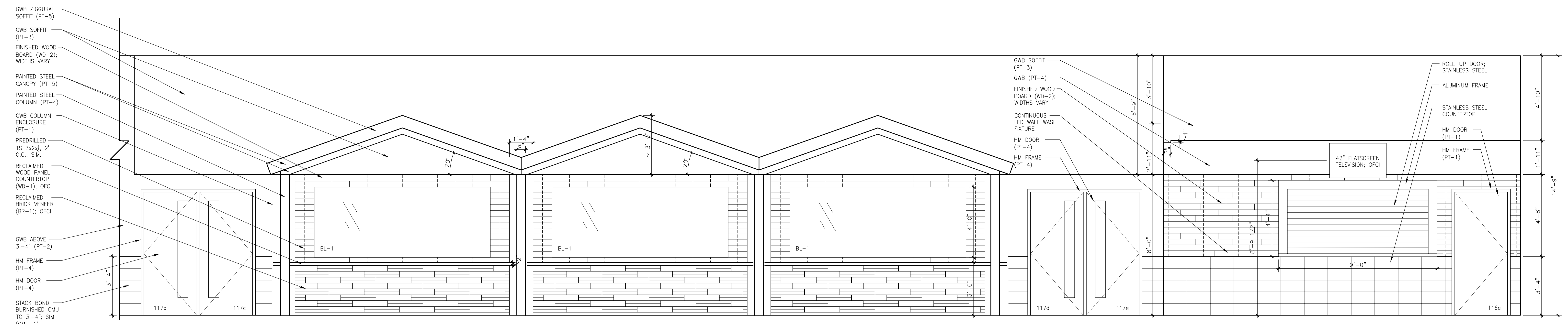
ALLIANT ENERGY CENTER PAVILIONS  
BID # 313072

1919 ALLIANT ENERGY CENTER WAY  
MADISON, WISCONSIN 53713

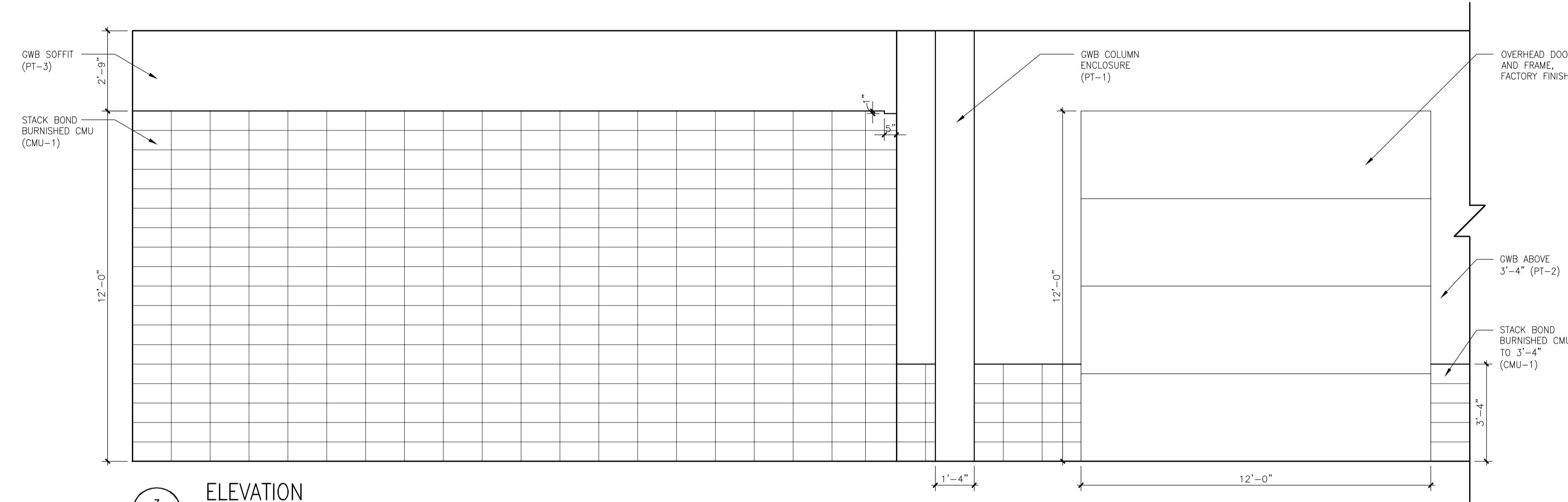
SHEET TITLE  
STAIR SECTIONS

SHEET NO.  
A512

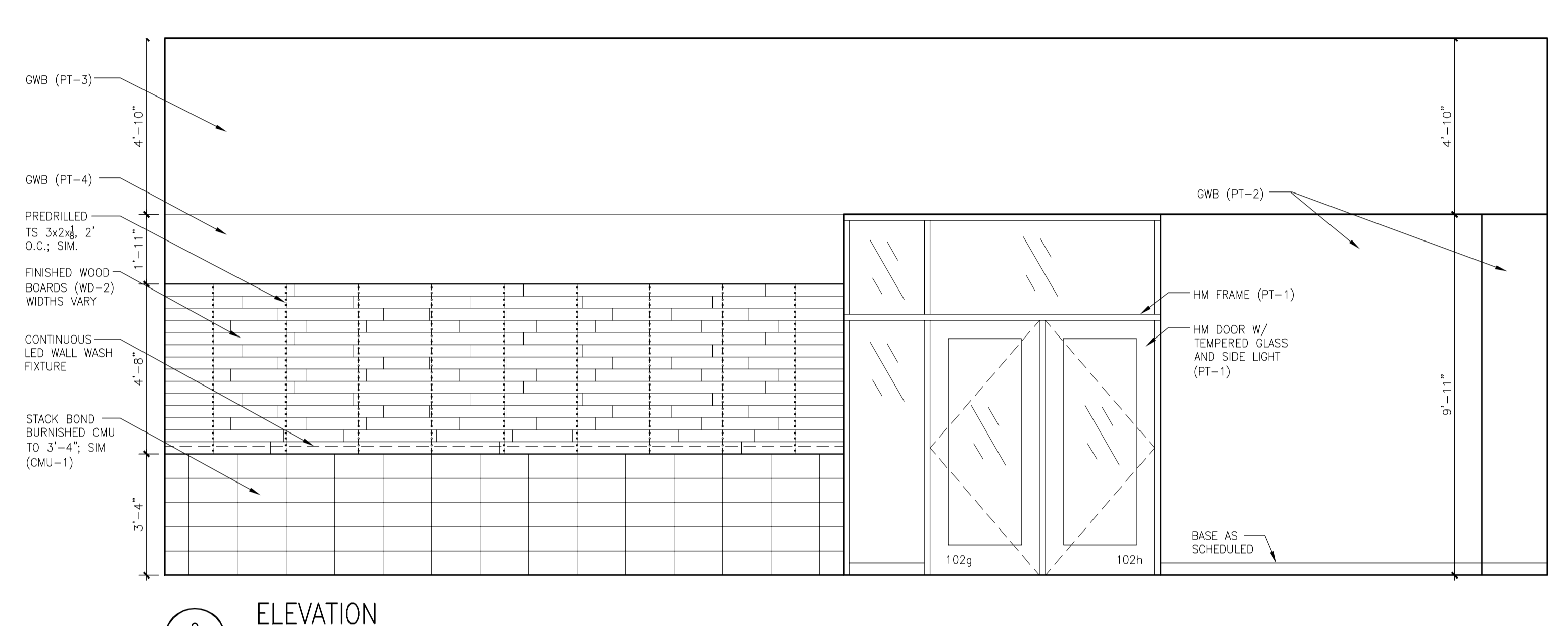
CARLOS RUIZ 2009-03-02 2:27 PM A:\2013027\_02 - ALLIANT ENERGY CENTER PAVILIONS BID # 313072 - LUSTOCK AND EXHIBITION HALL DRAWINGS\2013027\_02-A512.DWG



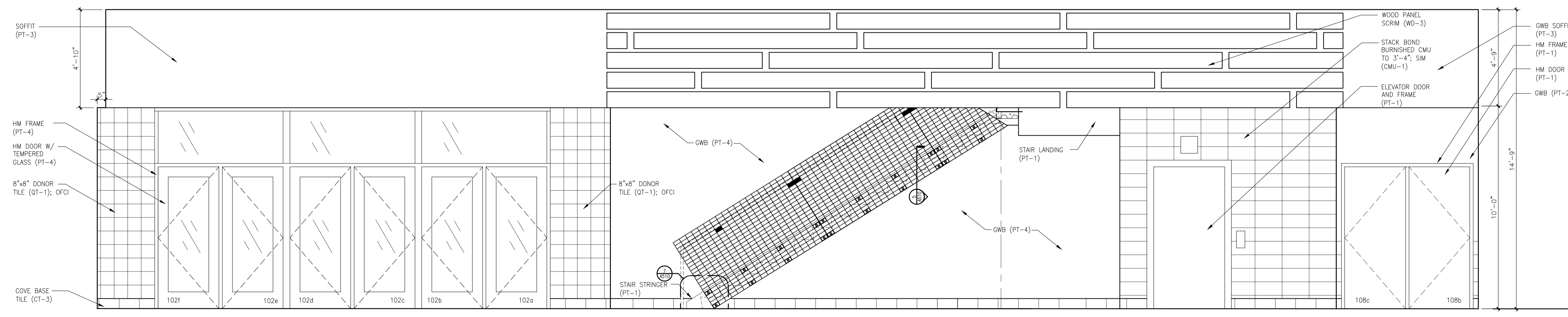
**1**  
A701  
ELEVATION  
SCALE: 3/8" = 1'-0"



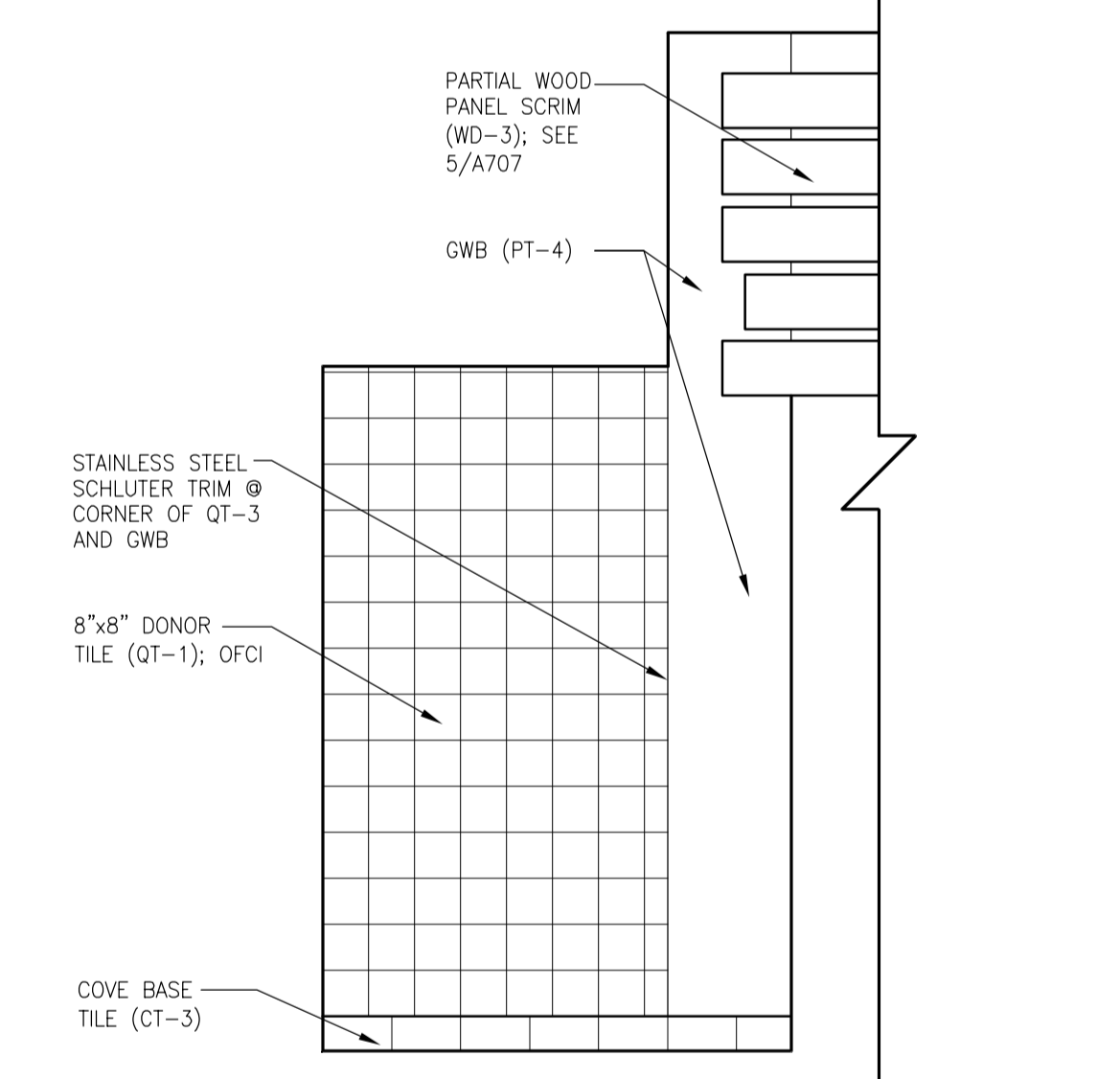
**3**  
A701  
ELEVATION  
SCALE: 3/8" = 1'-0"



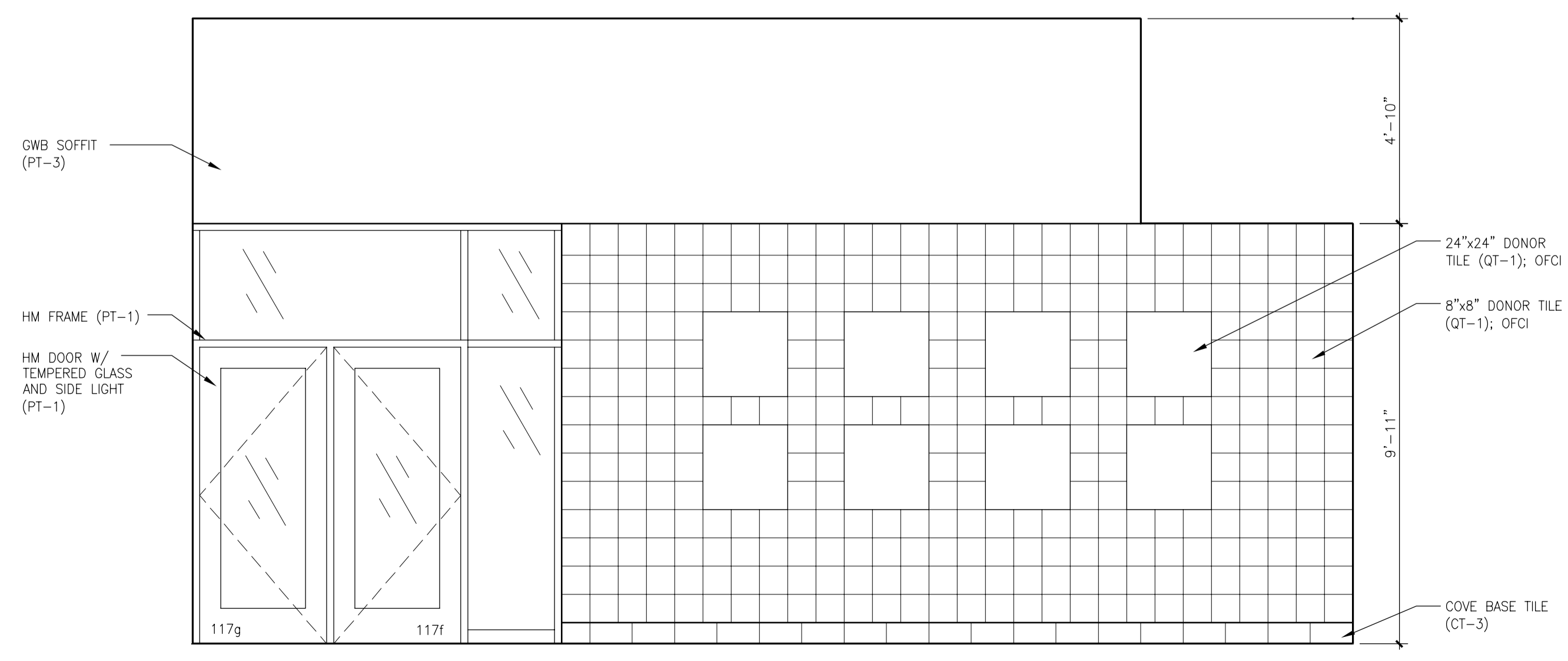
**2**  
A701  
ELEVATION  
SCALE: 3/8" = 1'-0"



**4**  
A701  
ELEVATION  
SCALE: 3/8" = 1'-0"



**5**  
A701  
ELEVATION  
SCALE: 3/8" = 1'-0"



**6**  
A701  
ELEVATION  
SCALE: 3/8" = 1'-0"

DRAWING SET	CD
COPYRIGHT	2013
FILE NAME	2013027_02-A701.DWG
REVISIONS	

DRAWN	MJ
CHECKED	RG
DATE	10-29-13
PROJECT NO.	2013027_02
PROJECT TITLE	

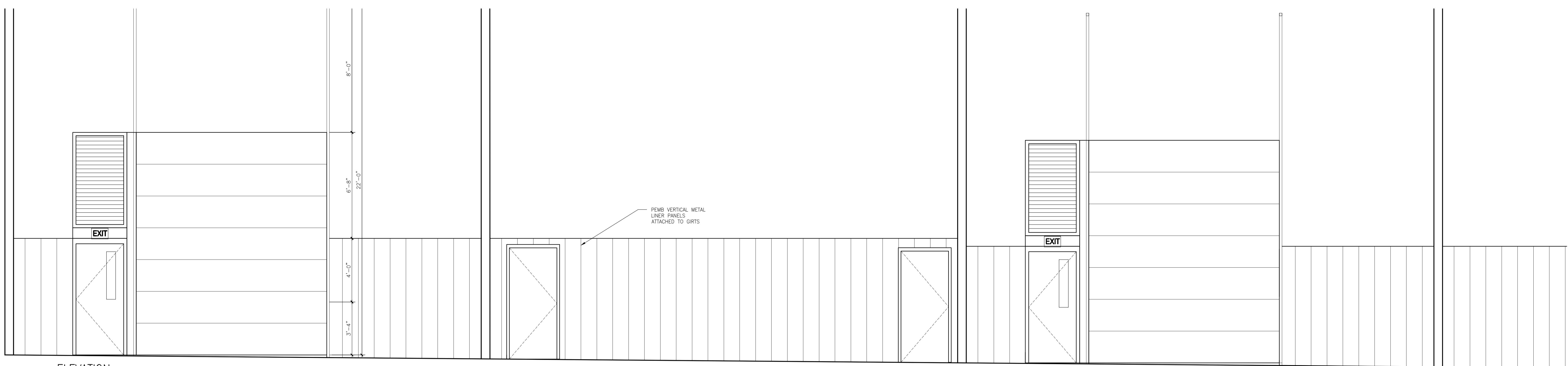
**ALLIANT ENERGY CENTER PAVILIONS  
BID # 313072**

1919 ALLIANT ENERGY CENTER WAY  
MADISON, WISCONSIN 53713

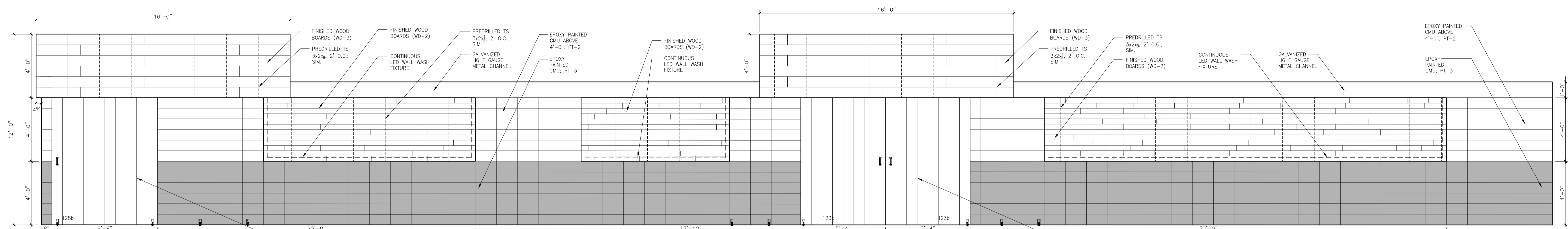
SHEET TITLE  
**INTERIOR ELEVATIONS**

SHEET NO.  
**A701**

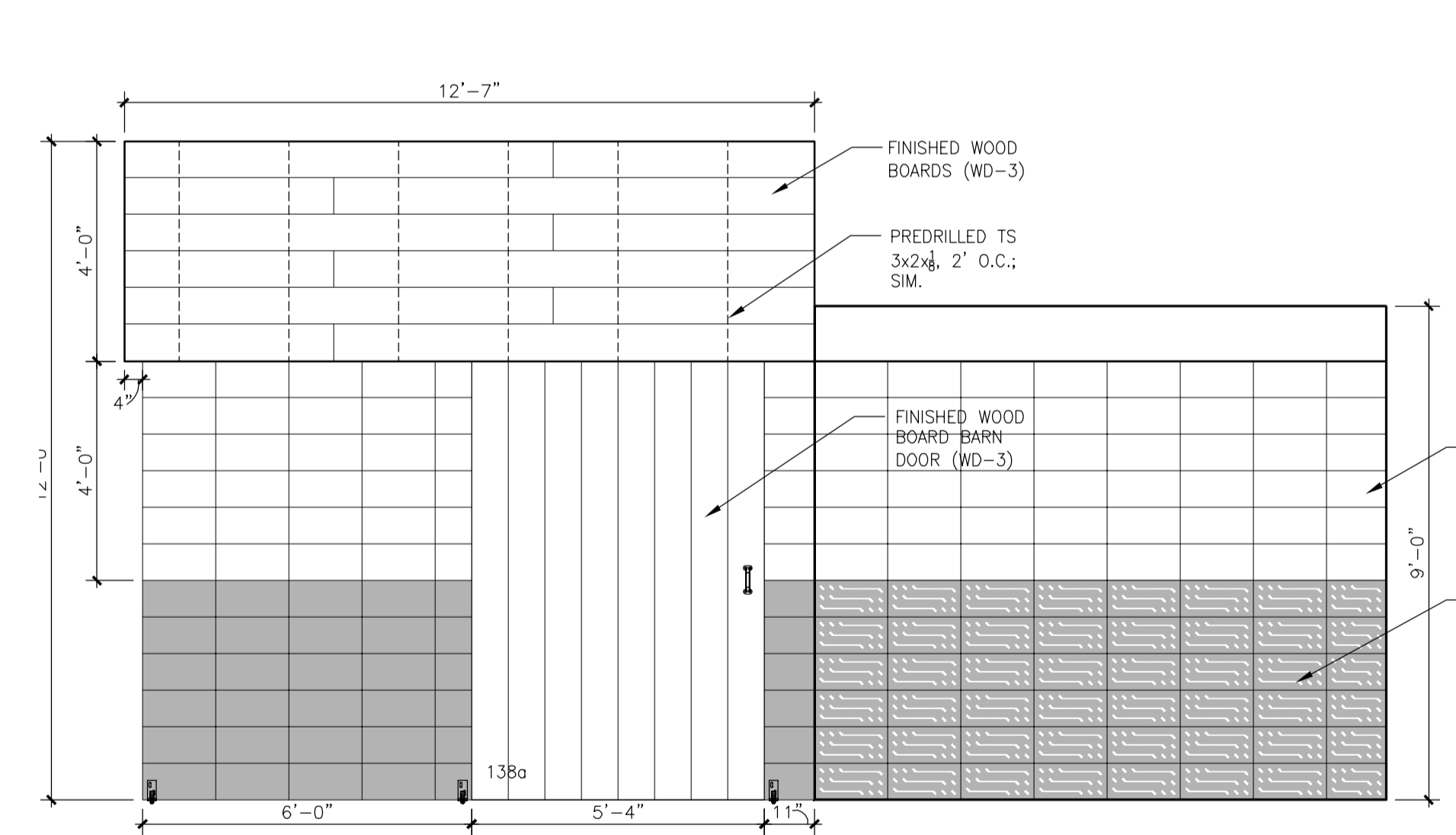
CARLOS RUZ 2009-08-30 2:27 PM K:\\_2013\3013027 - ALLIANT ENERGY CENTER LIVESTOCK & EXHIBITION SPACE EXPANSION\2013027\_02 - ALLIANT ENERGY CENTER LIVESTOCK AND EXHIBITION HALL\DRAWINGS\2013027\_02-A701.DWG



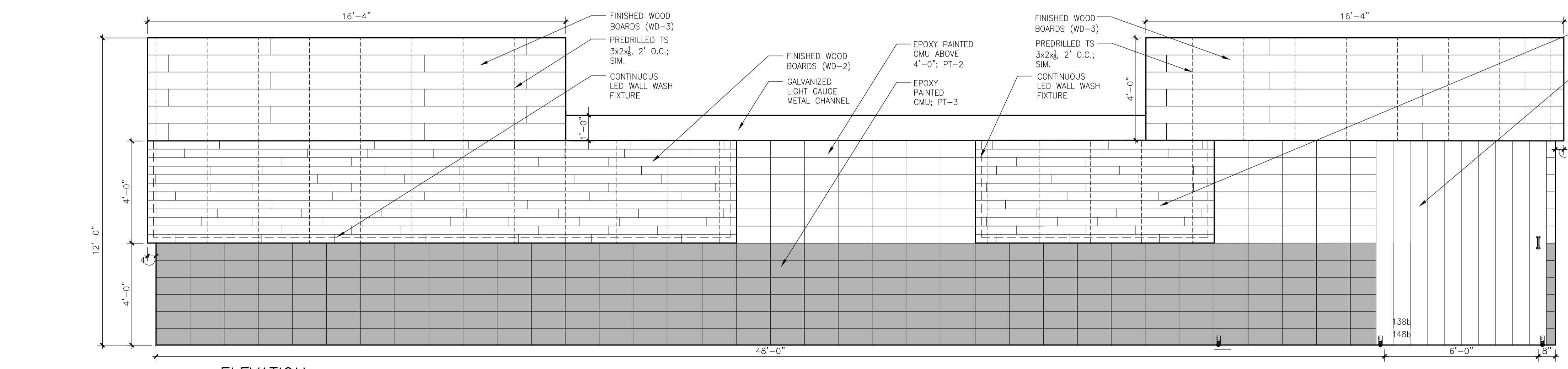
**1**  
A702  
ELEVATION  
SCALE: 3/8" = 1'-0"  
0' 1' 2' 4'



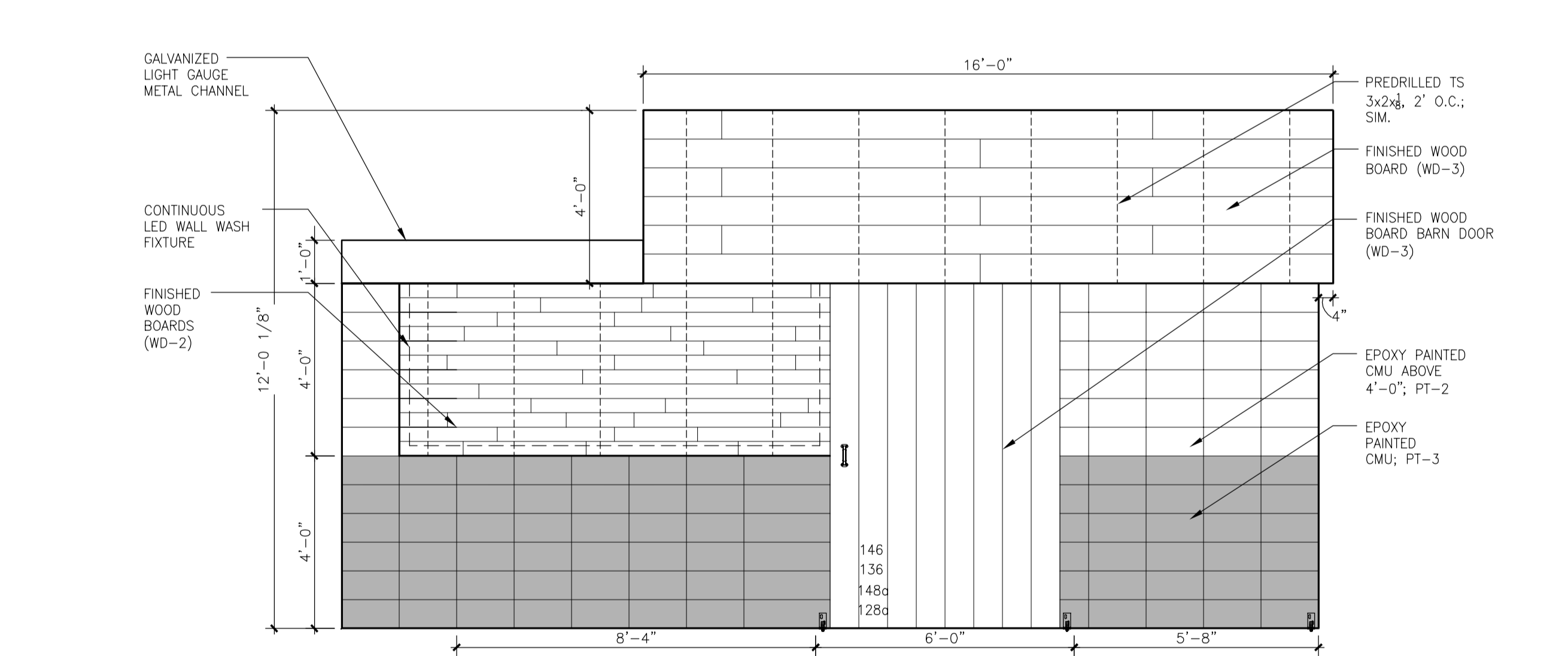
**2**  
A702  
ELEVATION  
SCALE: 3/8" = 1'-0"  
0' 1' 2' 4'



**3**  
A702  
ELEVATION  
SCALE: 3/8" = 1'-0"  
0' 1' 2' 4'



**4**  
A702  
ELEVATION  
SCALE: 3/8" = 1'-0"  
0' 1' 2' 4'



**5**  
A702  
ELEVATION  
SCALE: 3/8" = 1'-0"  
0' 1' 2' 4'

DRAWING SET	CD
COPYRIGHT	2013
FILE NAME	2013027_02-A702.DWG
REVISIONS	
DRAWN	MJ
CHECKED	RG
DATE	10-29-13
PROJECT NO.	2013027_02
PROJECT TITLE	

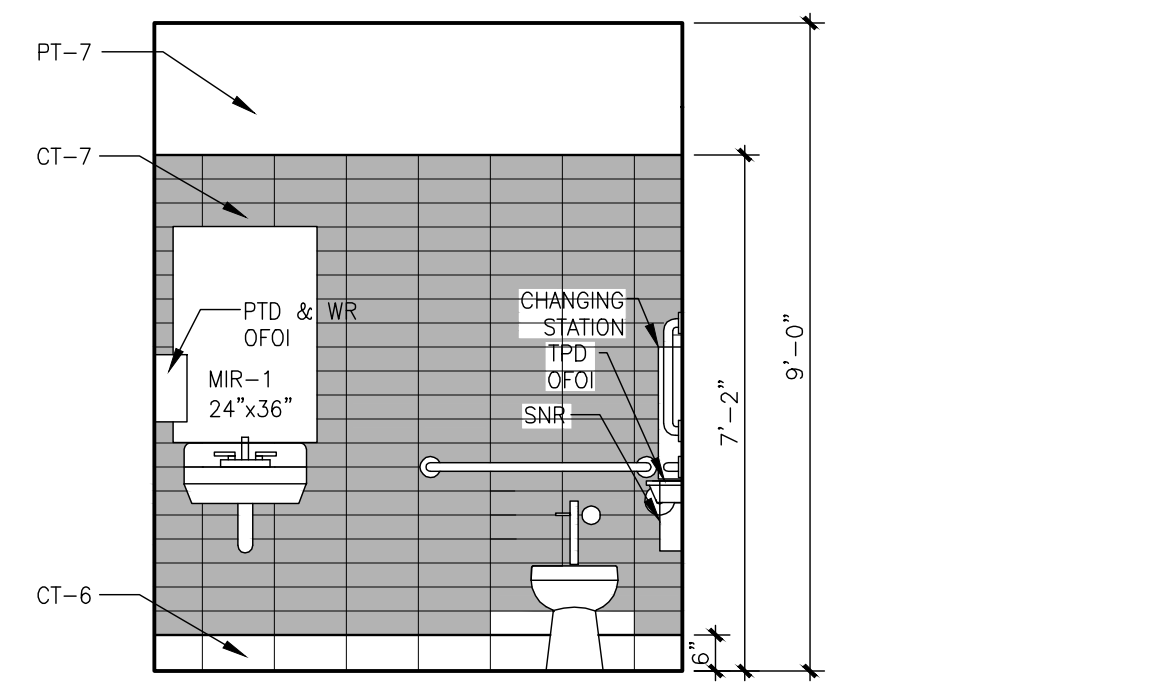
**ALLIANT ENERGY CENTER PAVILIONS  
BID # 313072**

1919 ALLIANT ENERGY CENTER WAY  
MADISON, WISCONSIN 53713

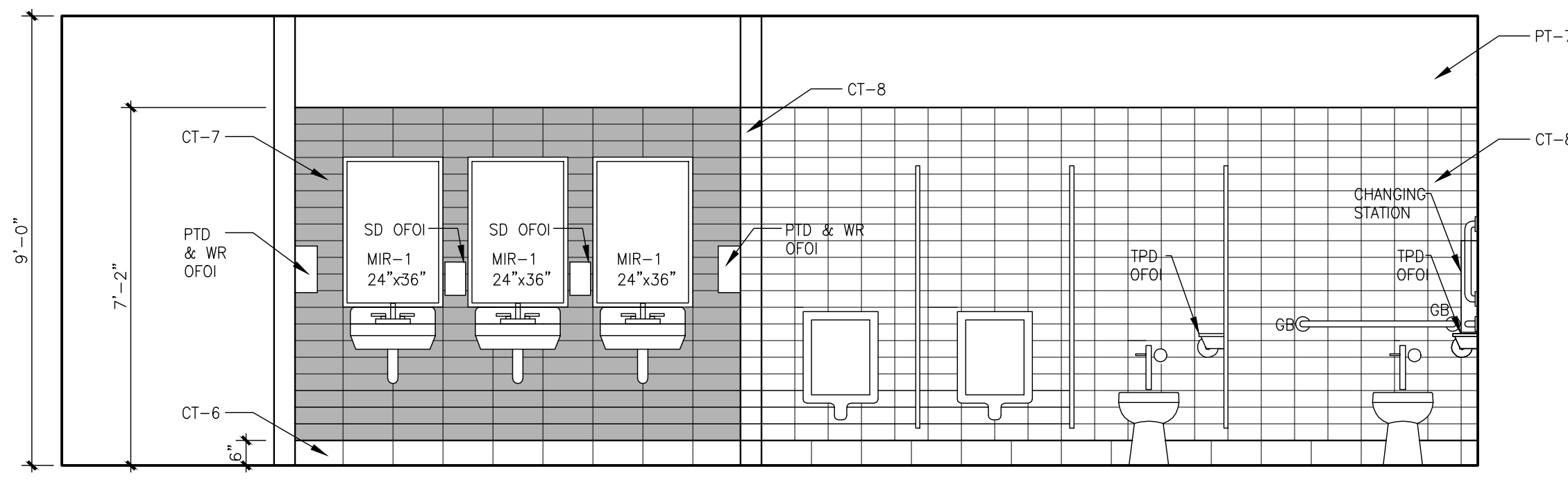
**INTERIOR ELEVATIONS**

SHEET NO.  
**A702**

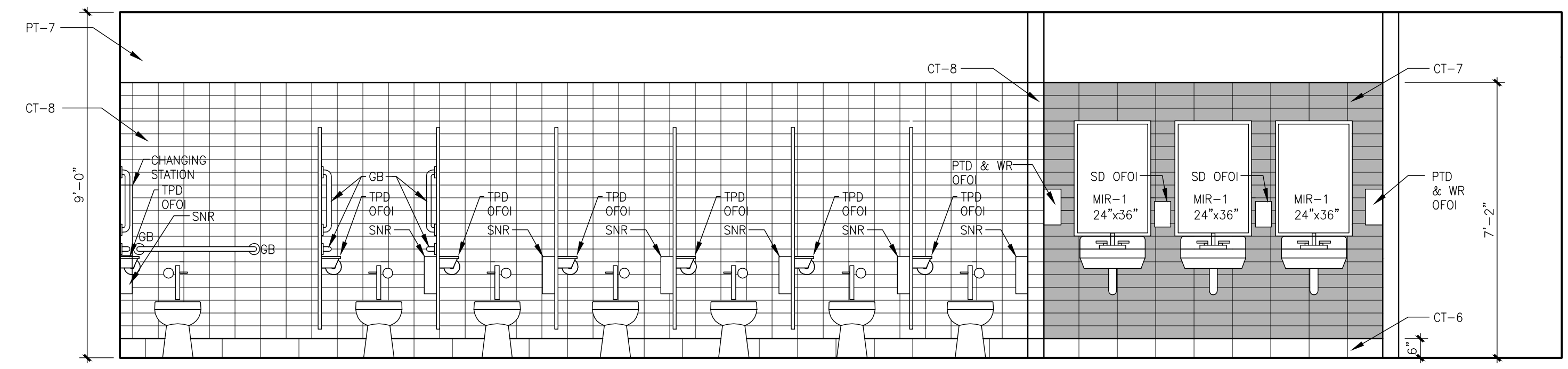
CARLOS RUZ, 2009-5-30, 2:27 PM K:\\_2013\3013027 - ALLIANT ENERGY CENTER LIVESTOCK & EXHIBITION SPACE EXPANSION\2013027\_02 - ALLIANT ENERGY CENTER LIVESTOCK AND EXHIBITION HALL\DRAWINGS\2013027\_02-A702.DWG



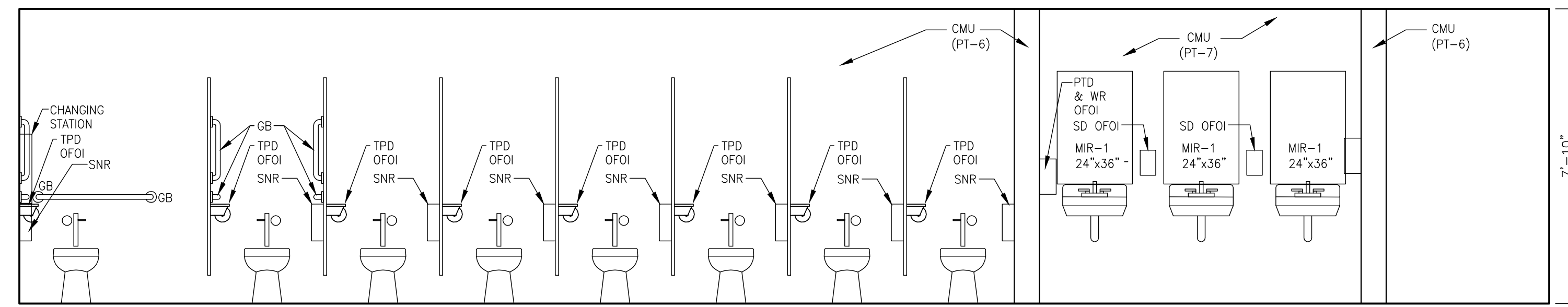
PRE-FUNCTION  
**FAMILY RESTROOM ELEVATION**  
3  
A703  
SCALE: 3/8" = 1'-0"



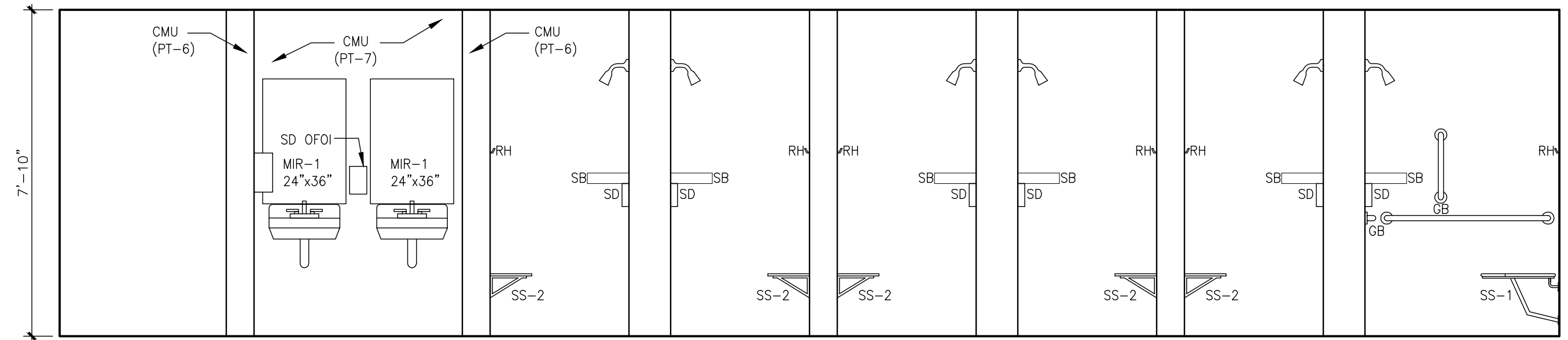
PRE-FUNCTION  
**MEN'S RESTROOM ELEVATION**  
2  
A703  
SCALE: 3/8" = 1'-0"



PRE-FUNCTION  
**WOMEN'S RESTROOM ELEVATION**  
1  
A703  
SCALE: 3/8" = 1'-0"

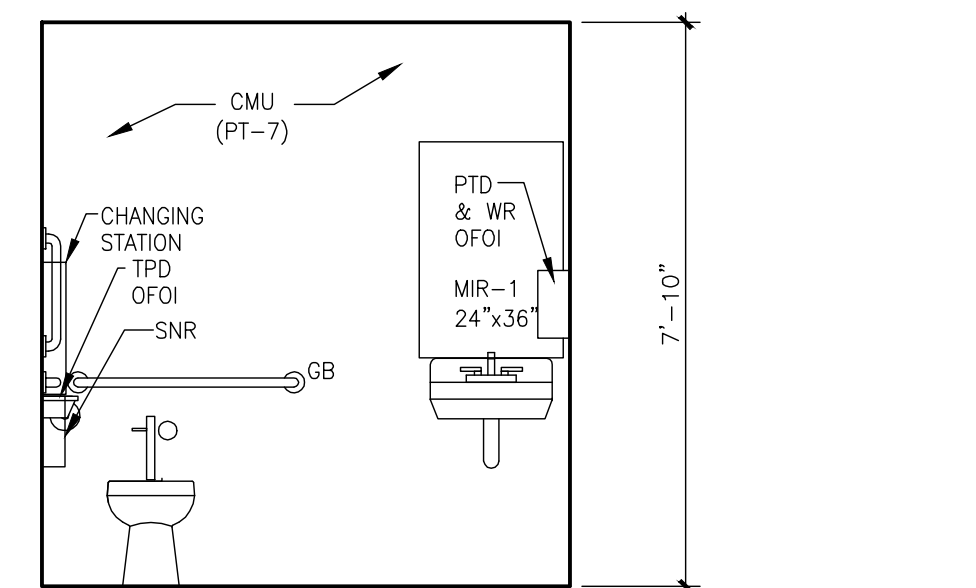


PAVILION - 126  
**WOMEN'S RESTROOM ELEVATION**  
5  
A703  
SCALE: 3/8" = 1'-0"

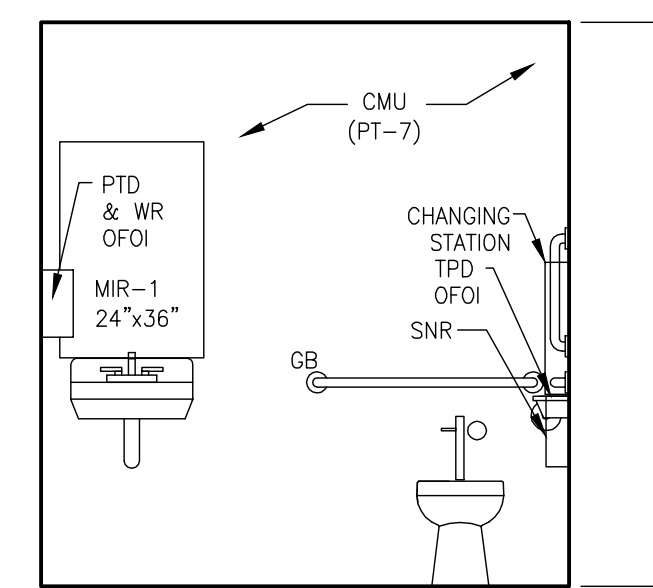


PAVILION - 121  
**SHOWER ELEVATION**  
4  
A703  
SCALE: 3/8" = 1'-0"

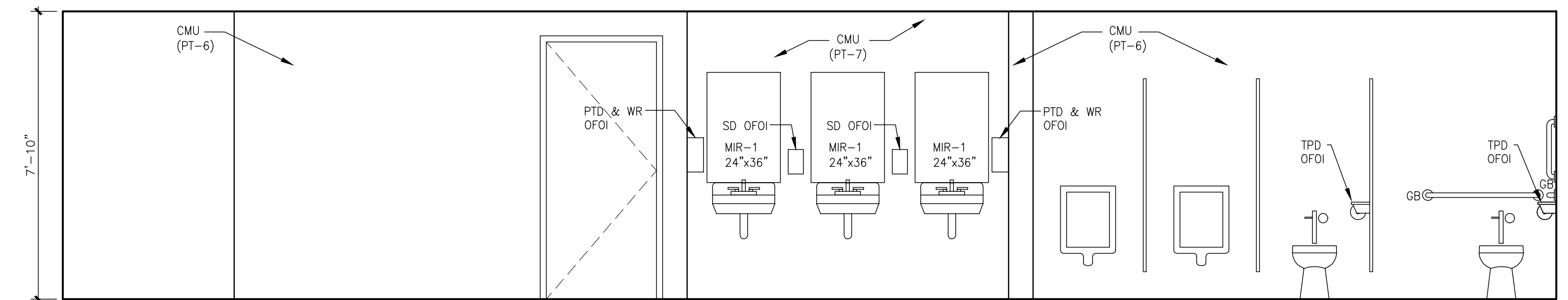
GENERAL NOTES	
1.	PROVIDE 18 GA. SHEET METAL STRAPPING BY 6" WIDE AT ALL WALL MOUNTED ITEMS LOCATED ON GWB OVER METAL STUDS.
2.	RECESSED GARBAGE RECEPTACLE TO BE INSTALLED UNDER EVERY PTD LOCATION.



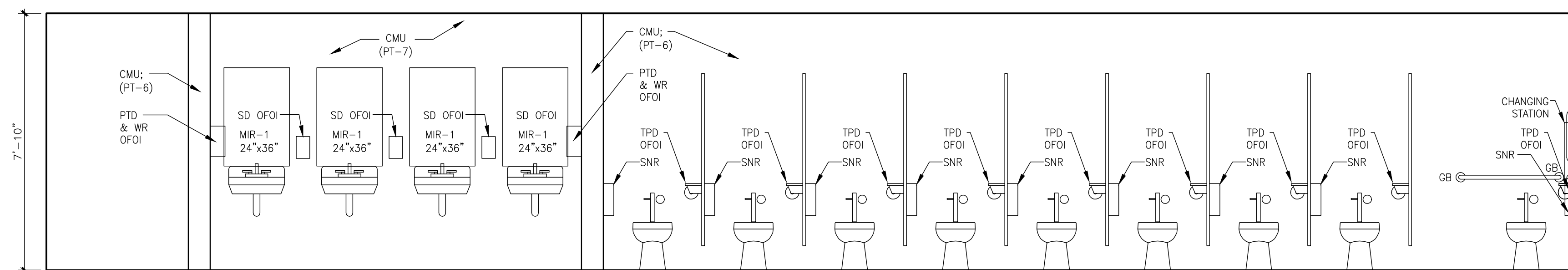
PAVILION - 134  
**FAMILY RESTROOM ELEVATION**  
8  
A703  
SCALE: 3/8" = 1'-0"



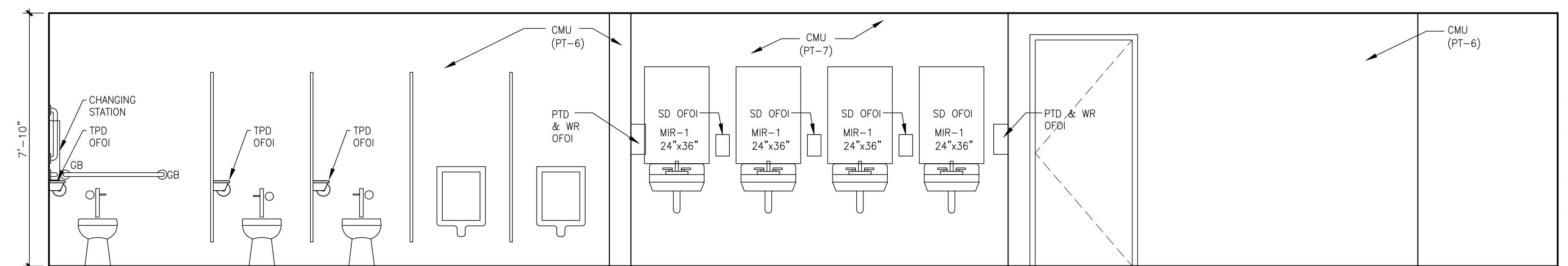
PAVILION - 124  
**FAMILY RESTROOM ELEVATION**  
7  
A703  
SCALE: 3/8" = 1'-0"



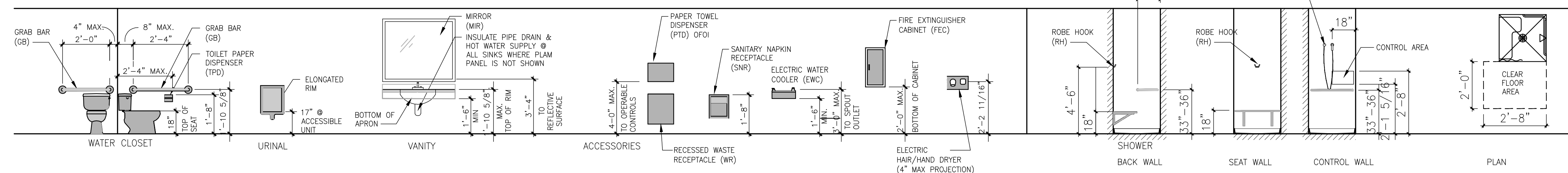
PAVILION - 127  
**MEN'S RESTROOM ELEVATION**  
6  
A703  
SCALE: 3/8" = 1'-0"



PAVILION - 136  
**WOMEN'S RESTROOM ELEVATION**  
10  
A703  
SCALE: 3/8" = 1'-0"

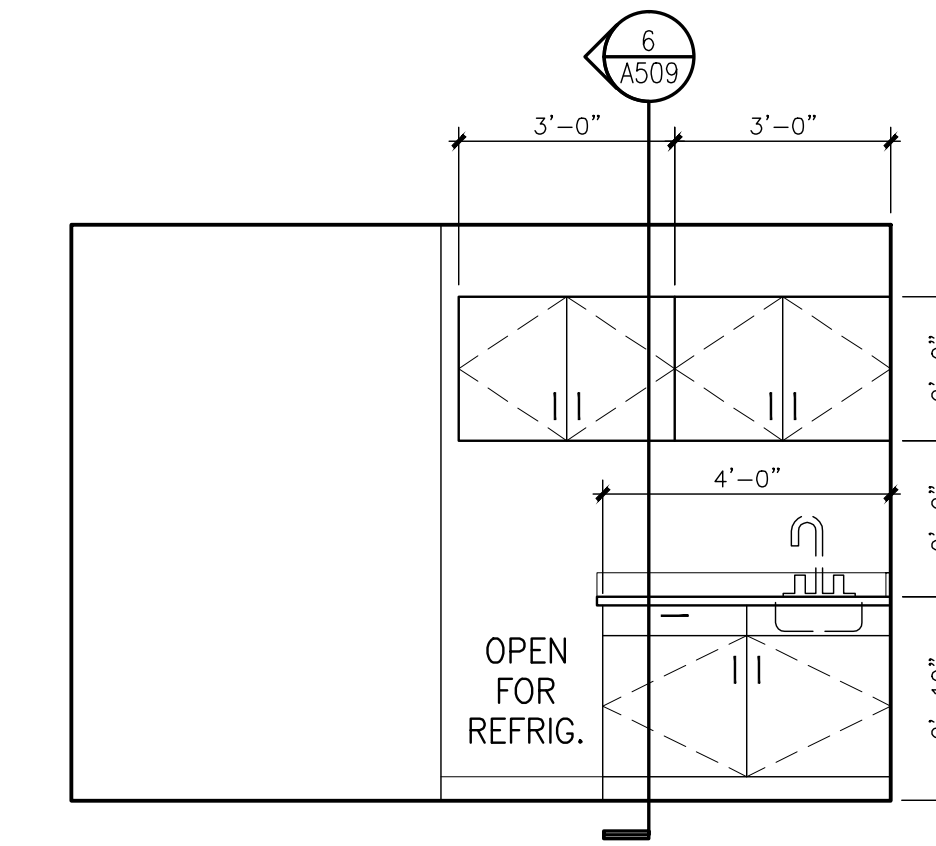


PAVILION - 137  
**MEN'S RESTROOM ELEVATION**  
9  
A703  
SCALE: 3/8" = 1'-0"

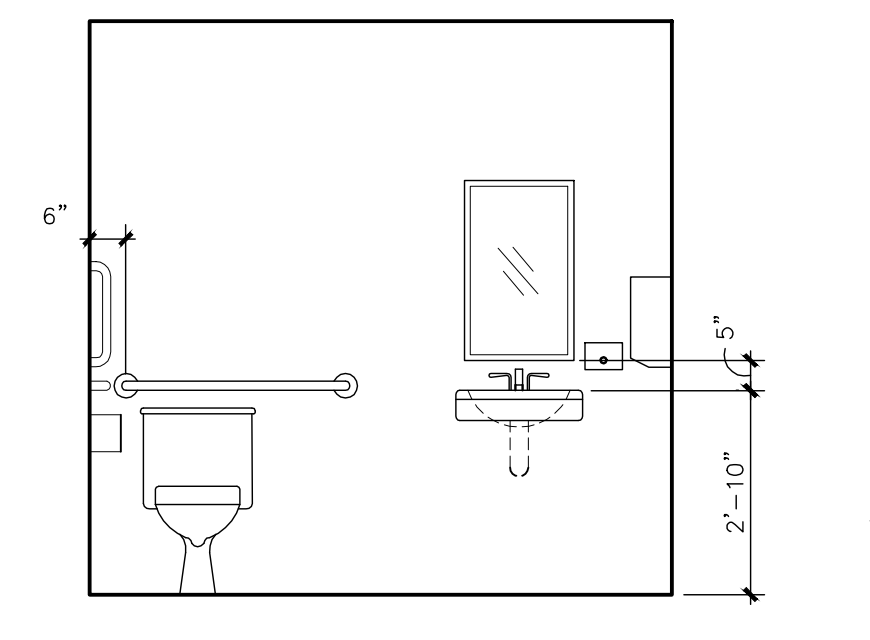


**STANDARD MOUNTING HEIGHTS**  
13  
A703  
SCALE: 1/4" = 1'-0"

NOTES:  
- ALL ITEMS SHOWN ARE NOT NECESSARILY IN THIS PROJECT  
- ALL FIXTURE MOUNTING INSTALLATION & CLEARANCE DIMENSIONS SHALL MEET ALL ADA ACCESSIBILITY STANDARDS FROM 27" TO 80" A.F.F. NO ACCESSORY SHALL PROJECT MORE THAN 4" FROM WALL.



PAVILION - 156  
**INTERIOR ELEVATION**  
12  
A703  
SCALE: 3/8" = 1'-0"



PAVILION - 155  
**RESTROOM ELEVATION**  
11  
A703  
SCALE: 3/8" = 1'-0"

DRAWING SET	CD
COPYRIGHT	2013
FILE NAME	2013027_02-A703.DWG
REVISIONS	

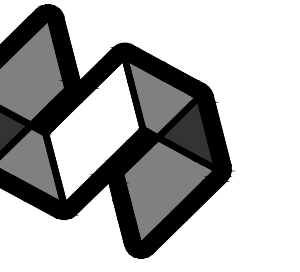
DRAWN	MJ
CHECKED	RG
DATE	10-29-13
PROJECT NO.	2013027_02
PROJECT TITLE	

ALLIANT ENERGY CENTER PAVILIONS  
BID # 313072

1919 ALLIANT ENERGY CENTER WAY  
MADISON, WISCONSIN 53713

SHEET TITLE  
**INTERIOR ELEVATIONS**

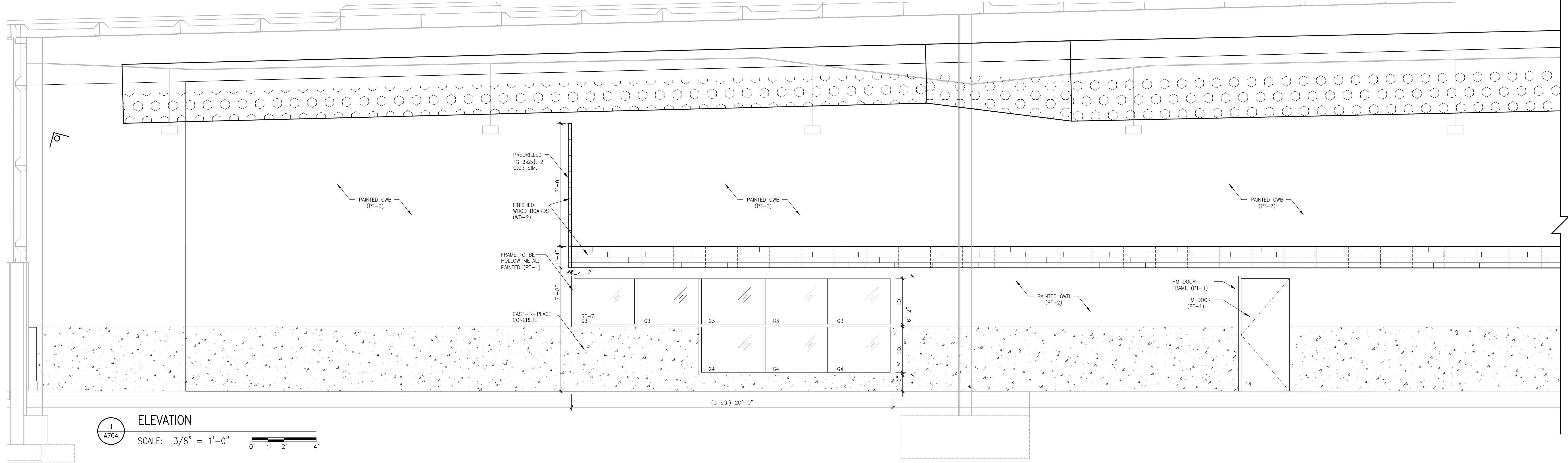
SHEET NO.  
**A703**



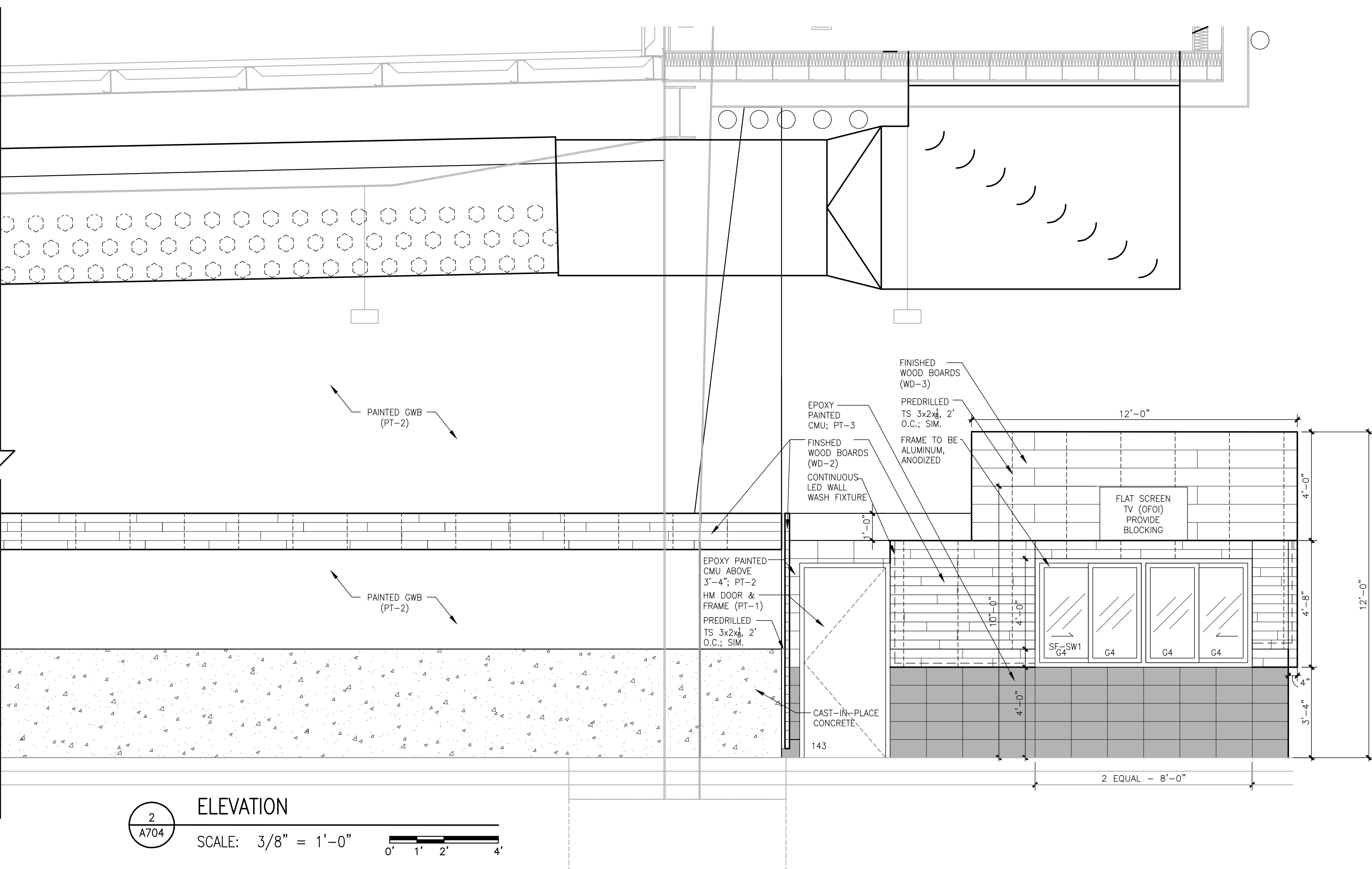
**STRANG**

ARCHITECTURE  
ENGINEERING  
INTERIOR DESIGN

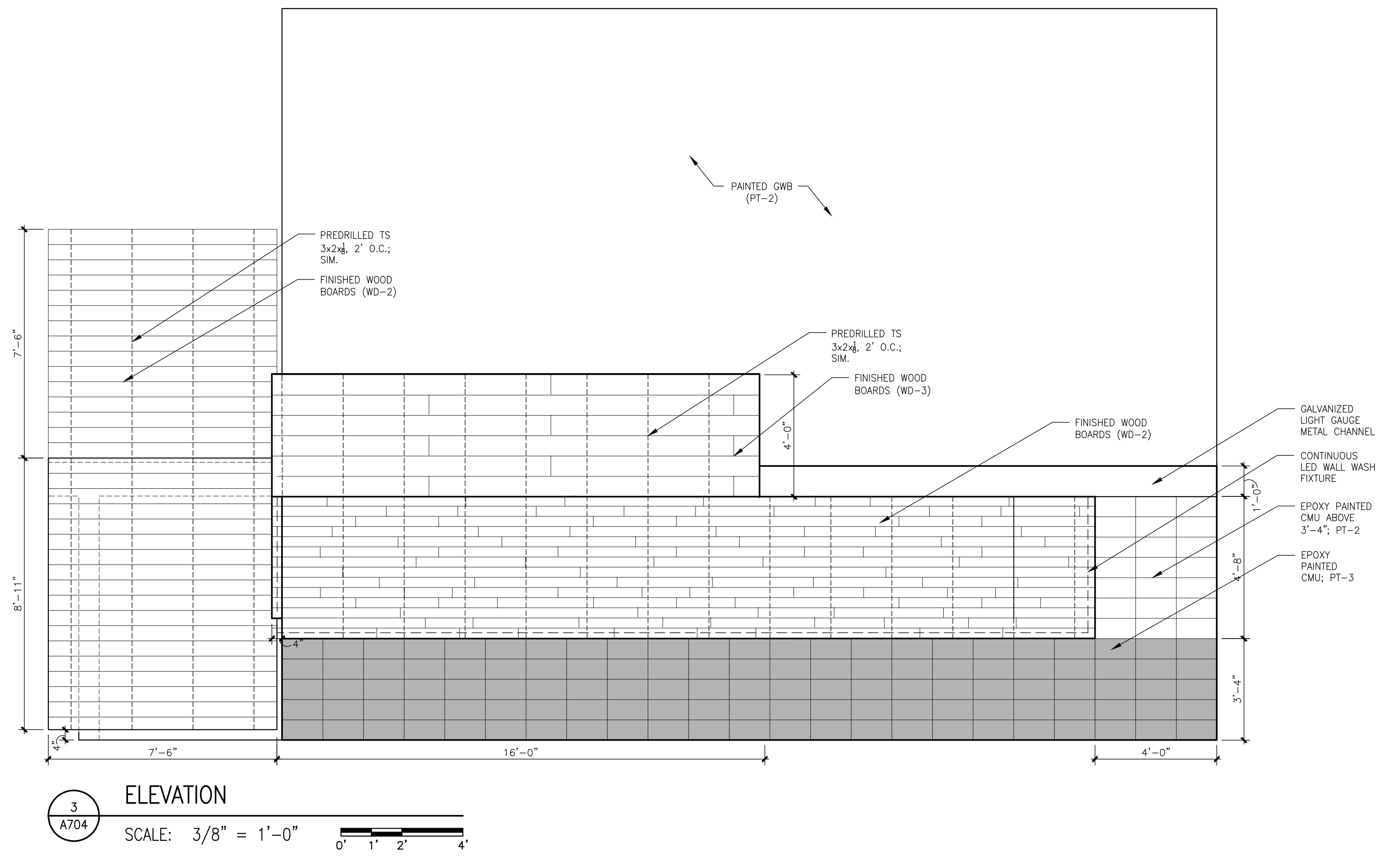
STRANG INC.  
6413 MINERAL POINT ROAD  
MADISON, WI 53705-4395  
T/ 608 276 9200  
F/ 608 276 9204



1  
A704  
ELEVATION  
SCALE: 3/8" = 1'-0"



2  
A704  
ELEVATION  
SCALE: 3/8" = 1'-0"



3  
A704  
ELEVATION  
SCALE: 3/8" = 1'-0"

DRAWING SET	CD
COPYRIGHT	2013
FILE NAME	2013027_02-A704.DWG
REVISIONS	

DRAWN	MJ
CHECKED	RG
DATE	10-29-13
PROJECT NO.	2013027_02
PROJECT TITLE	

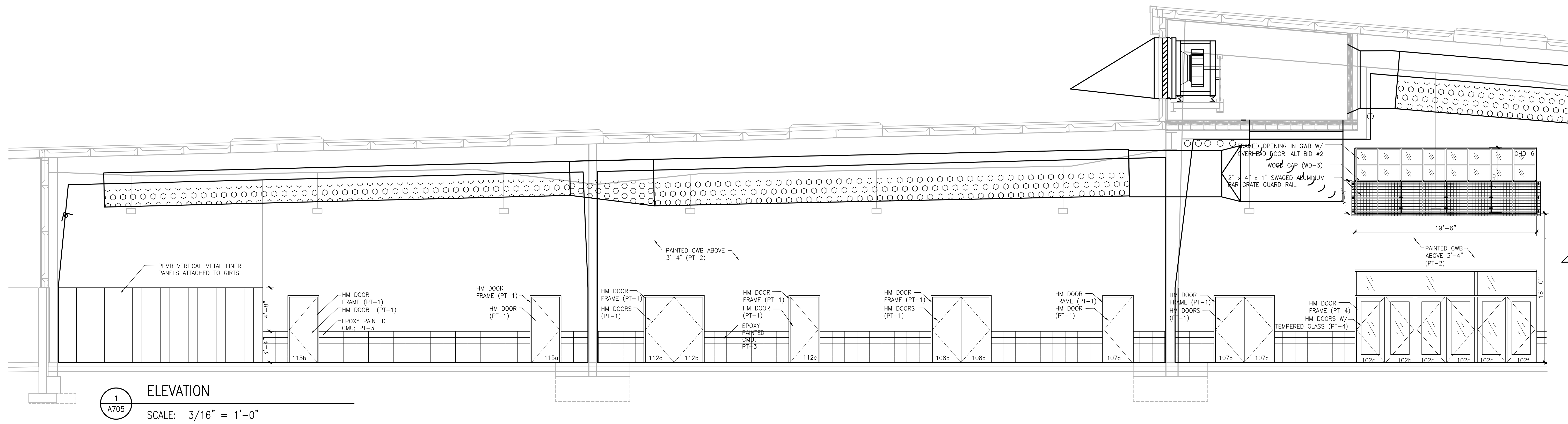
**ALLIANT ENERGY CENTER PAVILIONS  
BID # 313072**

1919 ALLIANT ENERGY CENTER WAY  
MADISON, WISCONSIN 53713

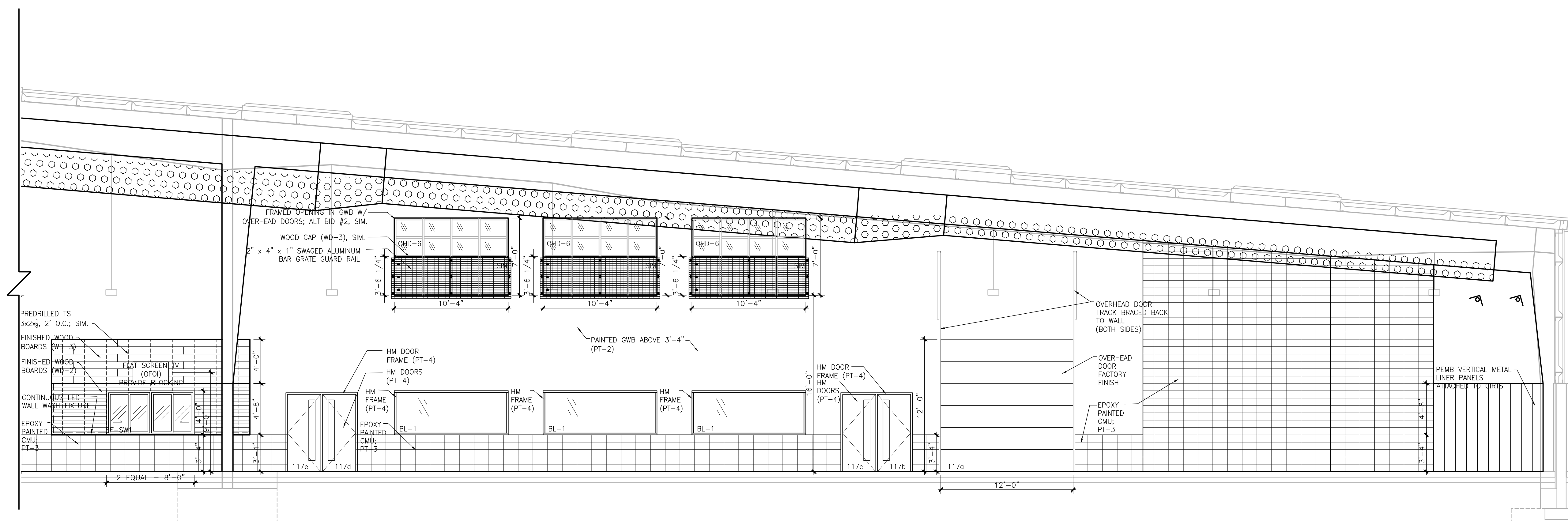
SHEET TITLE  
**INTERIOR ELEVATIONS**

SHEET NO.  
**A704**

2013.10.29.10:27 AM A:\2013027\_02-A704.DWG - ALLIANT ENERGY CENTER - LUBESTOCK AND EXHIBITION HALL DRAWINGS\2013027\_02-A704.DWG



**1**  
A705 ELEVATION  
SCALE: 3/16" = 1'-0"



**2**  
A705 ELEVATION  
SCALE: 3/16" = 1'-0"

DRAWING SET	CD
COPYRIGHT	2013
FILE NAME	2013027_02-A705.DWG
REVISIONS	

DRAWN	MJ
CHECKED	RG
DATE	10-29-13
PROJECT NO.	2013027_02
PROJECT TITLE	

**ALLIANT ENERGY CENTER PAVILIONS  
BID # 313072**

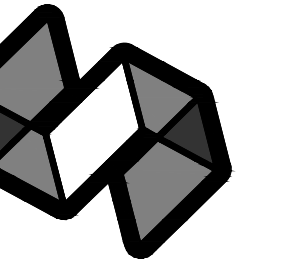
1919 ALLIANT ENERGY CENTER WAY  
MADISON, WISCONSIN 53713

SHEET TITLE  
**INTERIOR ELEVATIONS**

SHEET NO.  
**A705**

CARLOS RUIZ 2009-03-30 2:27 PM A:\2013027 - ALLIANT ENERGY CENTER LUBESTOCK & EXHIBITION HALL DRAWINGS\2013027\_02-A705.DWG

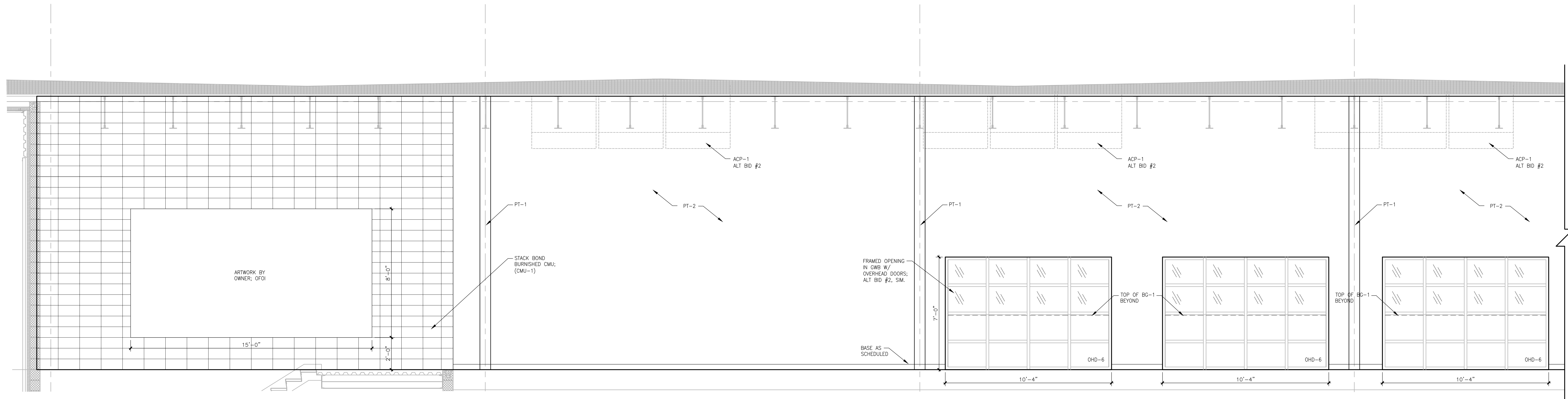




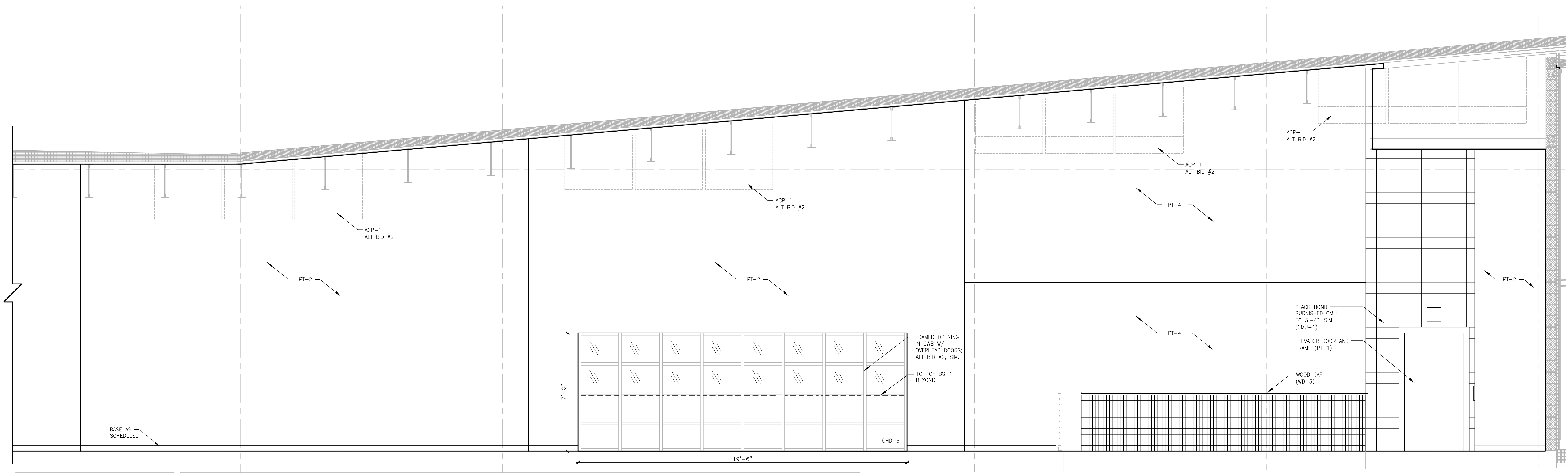
**STRANG**

ARCHITECTURE  
ENGINEERING  
INTERIOR DESIGN

STRANG INC.  
6411 MINERAL POINT ROAD  
MADISON, WI 53705-4395  
T/ 608 276 9200  
F/ 608 276 9204



1  
A706 ELEVATION  
SCALE: 3/8" = 1'-0"  
0' 1' 2' 4'



2  
A706 ELEVATION  
SCALE: 3/8" = 1'-0"  
0' 1' 2' 4'

DRAWING SET	CD
COPYRIGHT	2013
FILE NAME	2013027_02-A706.DWG
REVISIONS	
DRAWN	MJ
CHECKED	RG
DATE	10-29-13
PROJECT NO.	2013027_02
PROJECT TITLE	

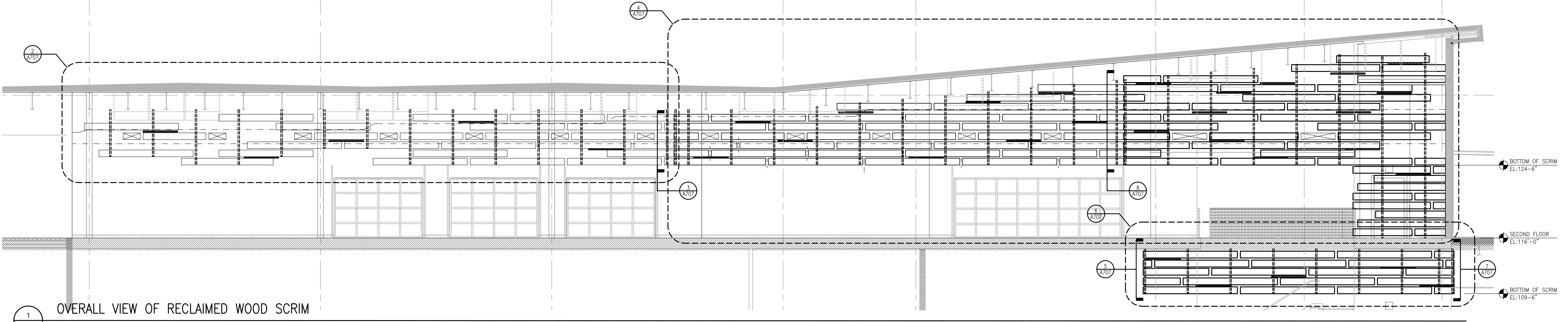
**ALLIANT ENERGY CENTER PAVILIONS  
BID # 313072**

1919 ALLIANT ENERGY CENTER WAY  
MADISON, WISCONSIN 53713

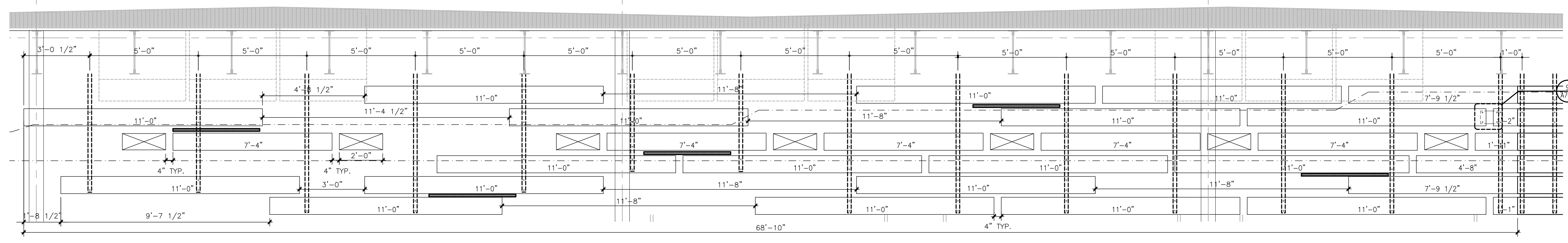
SHEET TITLE  
**INTERIOR ELEVATIONS**

SHEET NO.  
**A706**

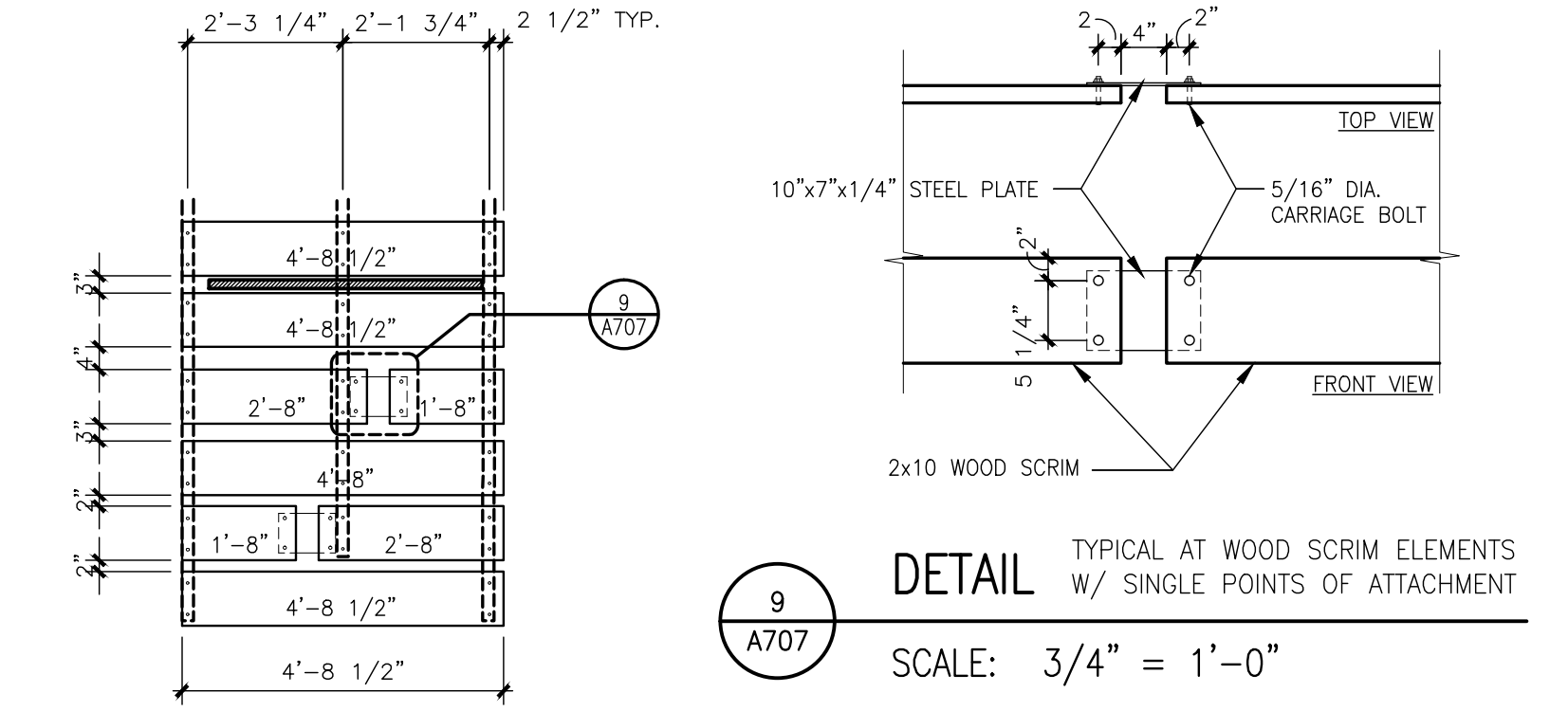
10/29/13 10:27 AM A:\2013027\_02-A706.DWG



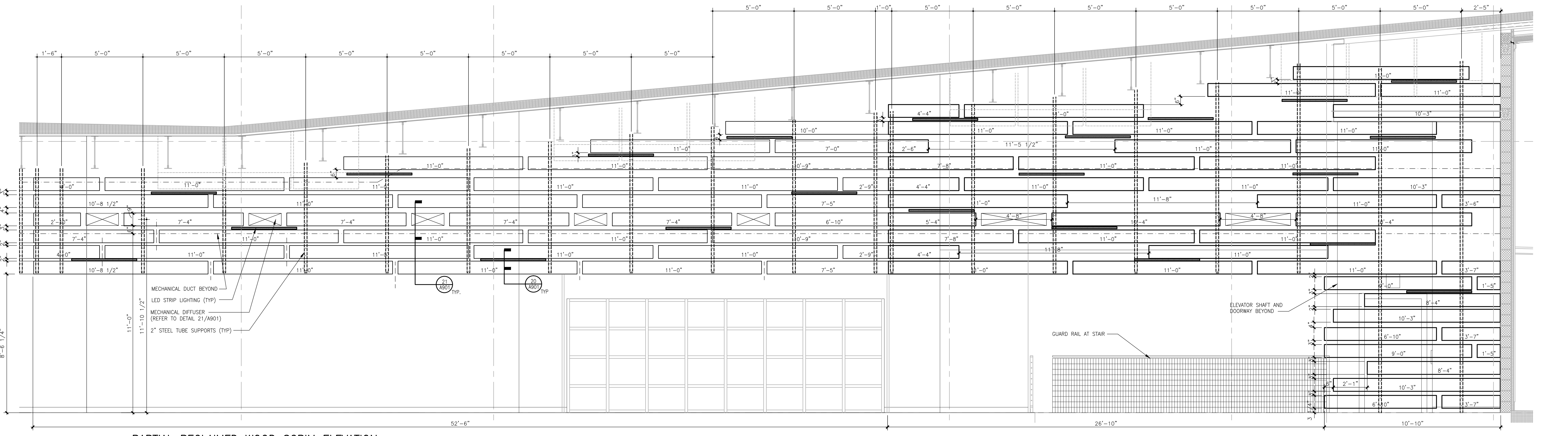
1 OVERALL VIEW OF RECLAIMED WOOD SCRIM  
SCALE: 3/8" = 1'-0"



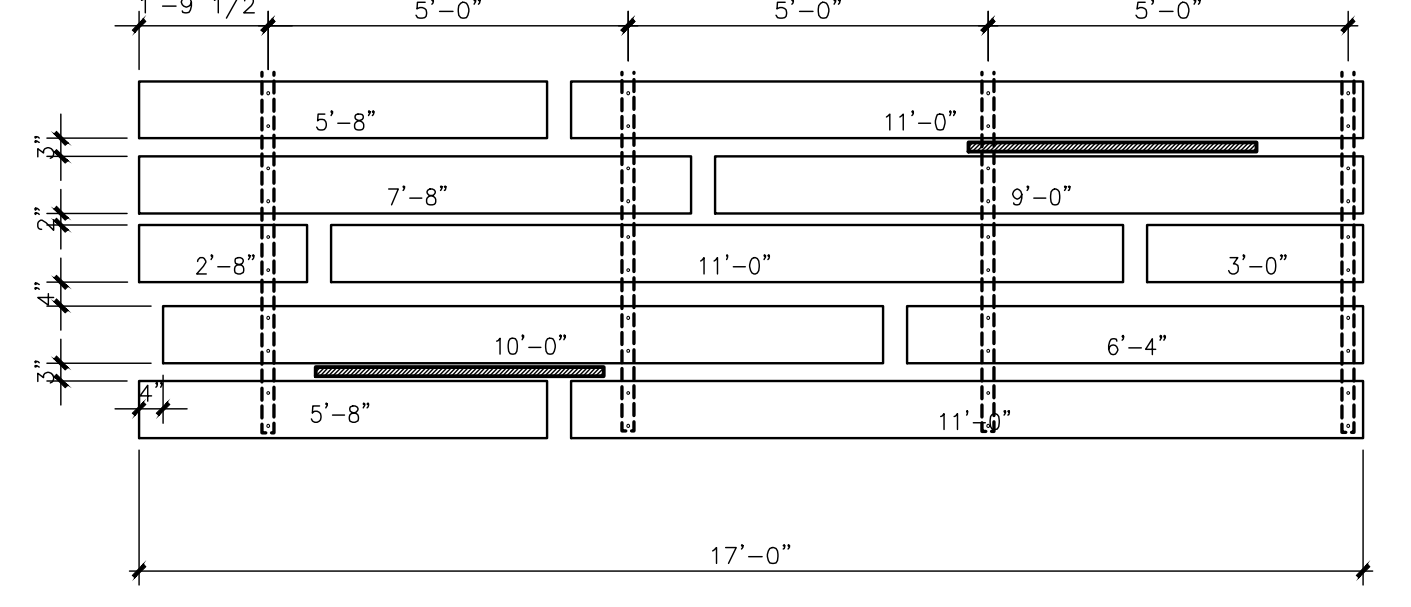
2 PARTIAL RECLAIMED WOOD SCRIM ELEVATION  
SCALE: 3/8" = 1'-0"



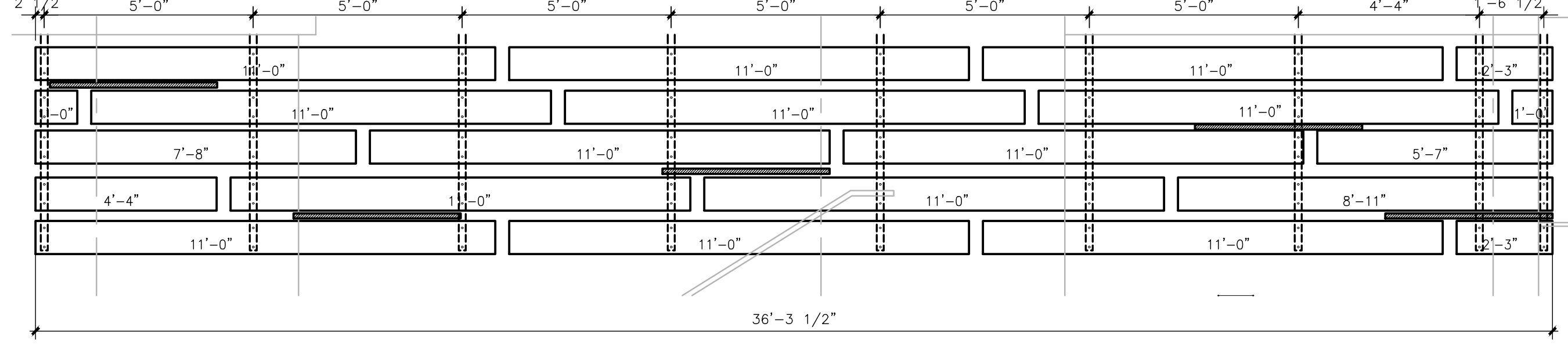
3 PARTIAL SCRIM ELEVATION  
SCALE: 3/8" = 1'-0"



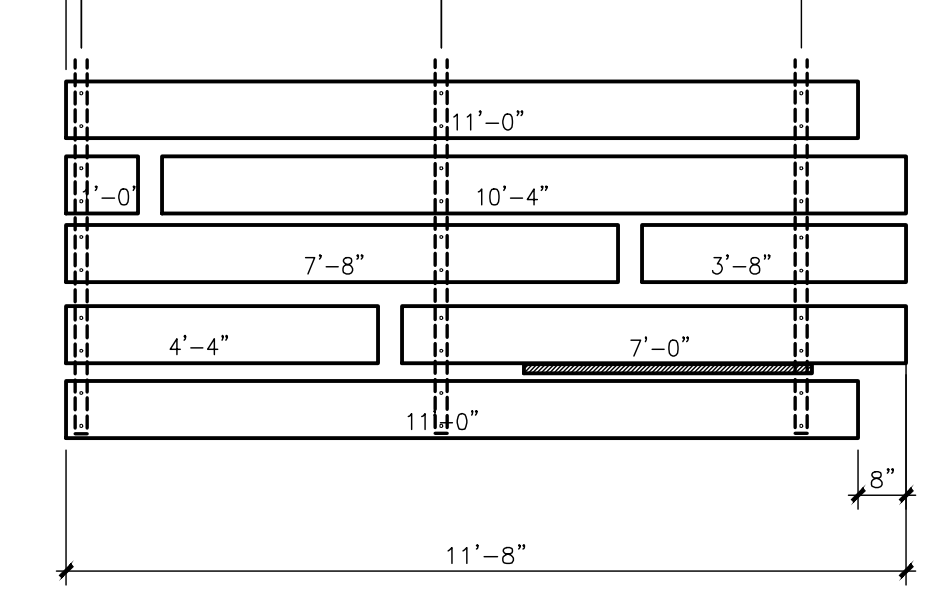
4 PARTIAL RECLAIMED WOOD SCRIM ELEVATION  
SCALE: 3/8" = 1'-0"



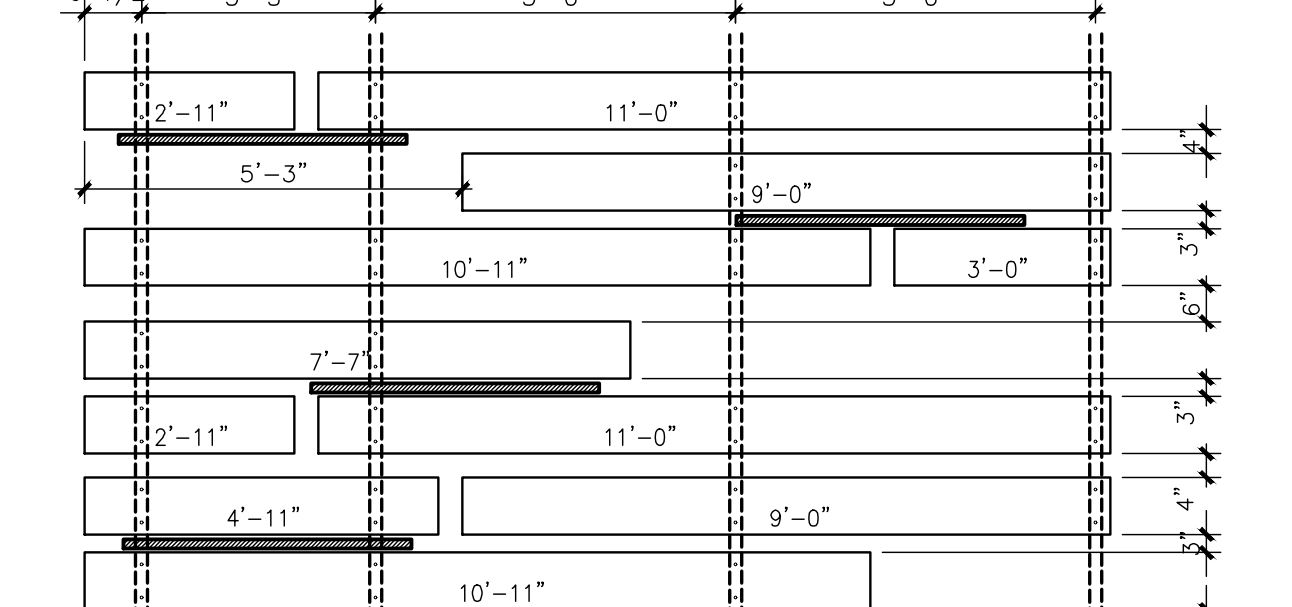
5 PARTIAL RECLAIMED WOOD SCRIM ELEVATION  
SCALE: 3/8" = 1'-0"



6 PARTIAL RECLAIMED WOOD SCRIM ELEVATION  
SCALE: 3/8" = 1'-0"



7 PARTIAL SCRIM ELEVATION  
SCALE: 3/8" = 1'-0"



8 PARTIAL SCRIM ELEVATION  
SCALE: 3/8" = 1'-0"

DRAWING SET	CD
COPYRIGHT	2013
FILE NAME	2013027_02-A707.DWG
REVISIONS	

DRAWN	MJ
CHECKED	RG
DATE	10-29-13
PROJECT NO.	2013027_02
PROJECT TITLE	

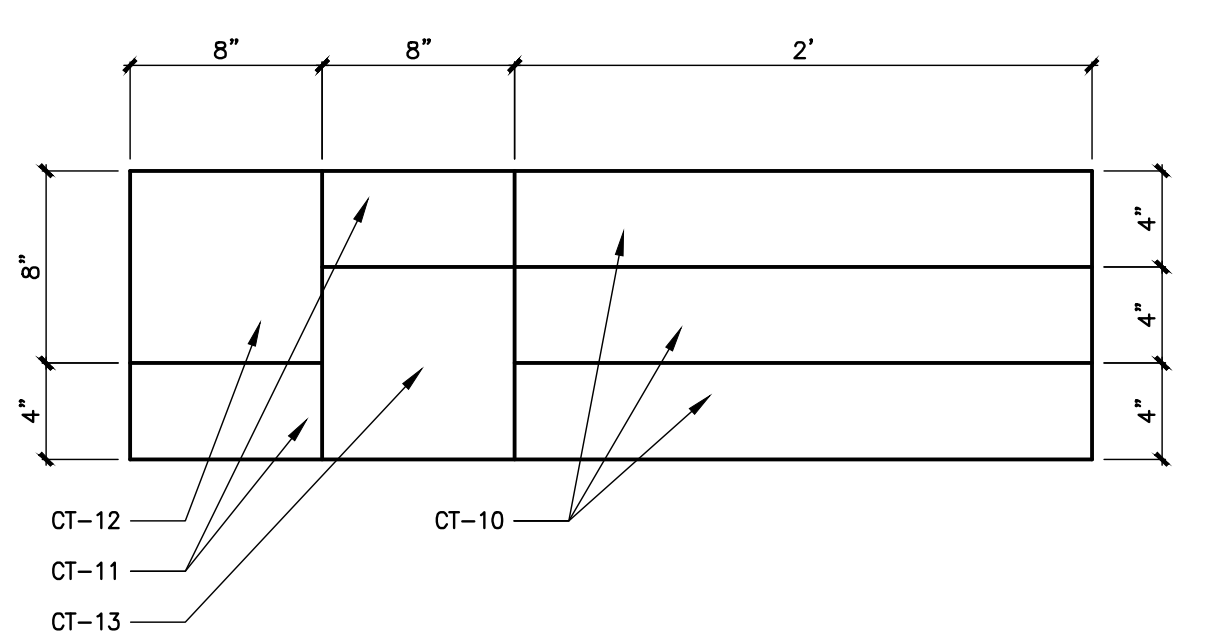
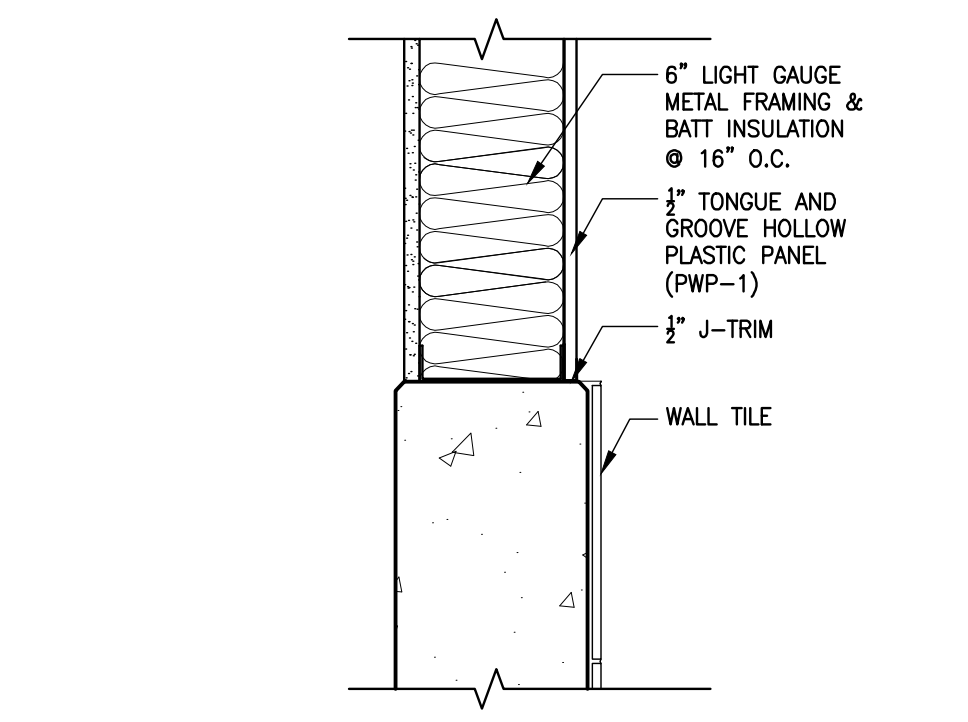
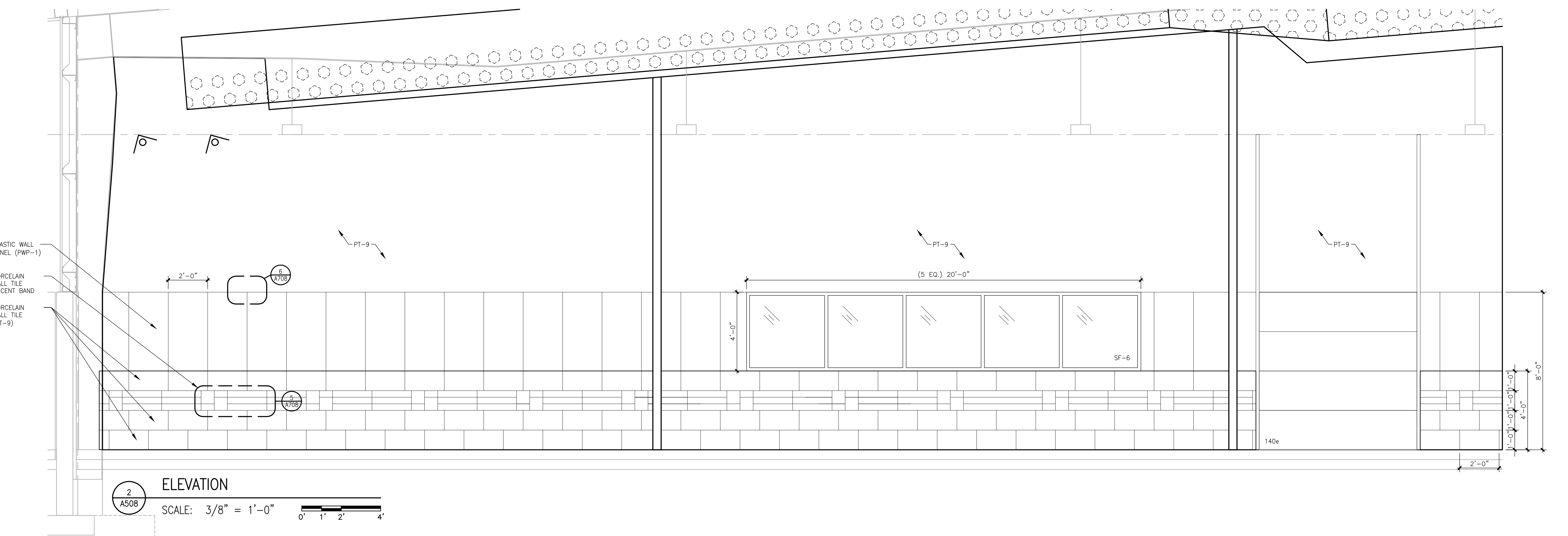
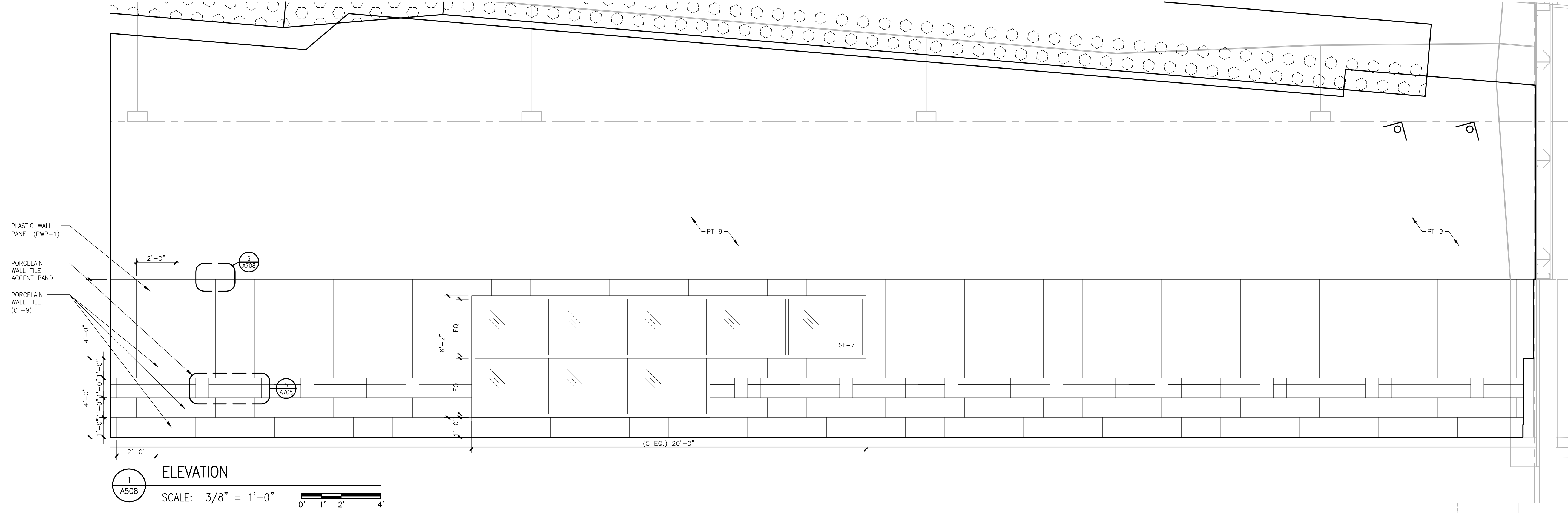
ALLIANT ENERGY  
CENTER PAVILIONS  
BID # 313072

1919 ALLIANT ENERGY CENTER WAY  
MADISON, WISCONSIN 53713

SHEET TITLE  
INTERIOR ELEVATIONS

SHEET NO.  
A707

2013.10.29 10:27 AM PL\_A707.02.dwg - ALLIANT ENERGY CENTER - LIVERSTOCK & EXHIBITION SPACE EXPANSION 2013027\_02 - A707.DWG  
CARLOS RUIZ 2009-6-30 2:27 PM PL\_A707.02.dwg - ALLIANT ENERGY CENTER - LIVERSTOCK & EXHIBITION SPACE EXPANSION 2013027\_02 - A707.DWG



DRAWING SET	CD
COPYRIGHT	2013
FILE NAME	2013027_02-A708.DWG
REVISIONS	

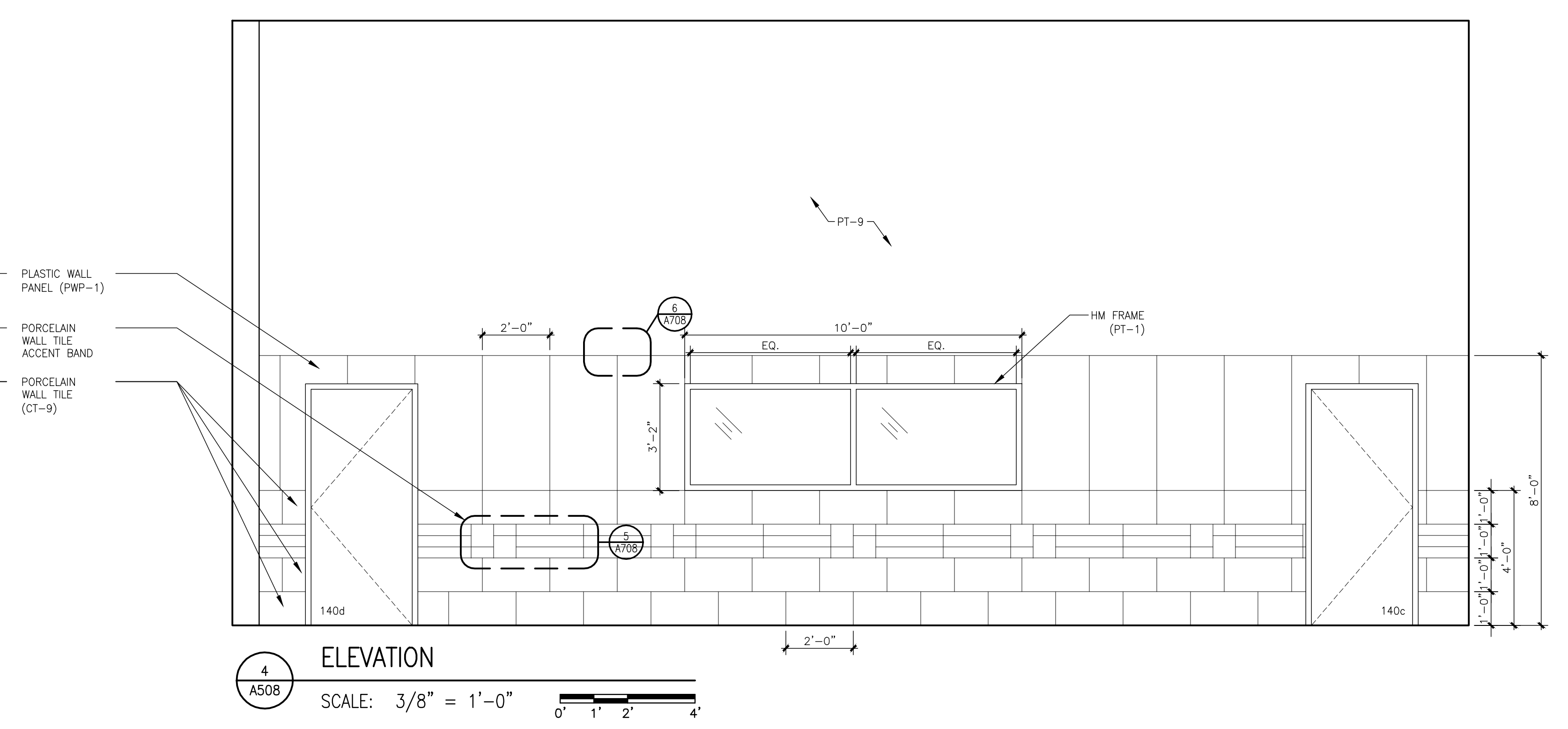
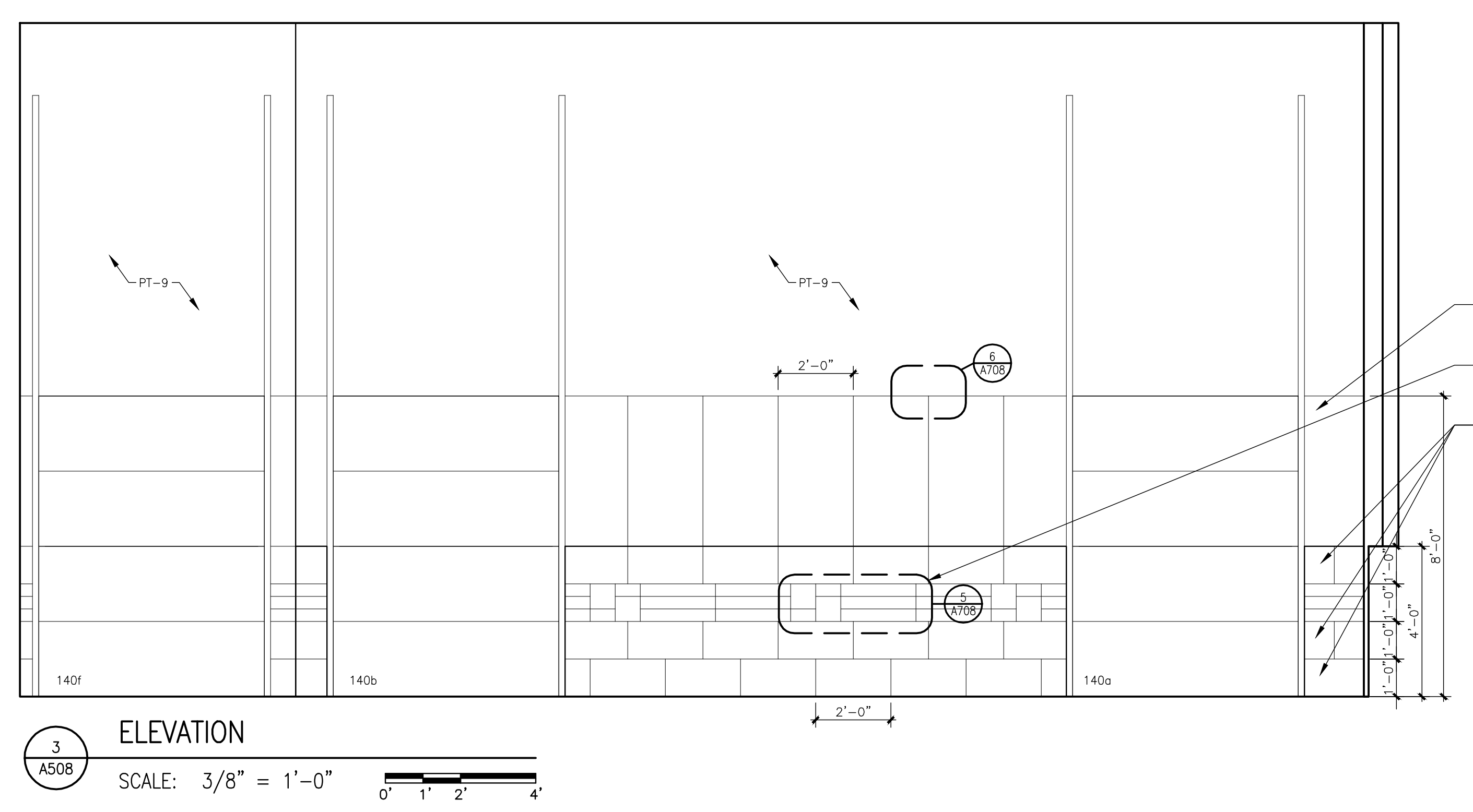
DRAWN	MJ
CHECKED	RG
DATE	10-29-13
PROJECT NO.	2013027_02
PROJECT TITLE	

**ALLIANT ENERGY CENTER PAVILIONS  
BID # 313072**

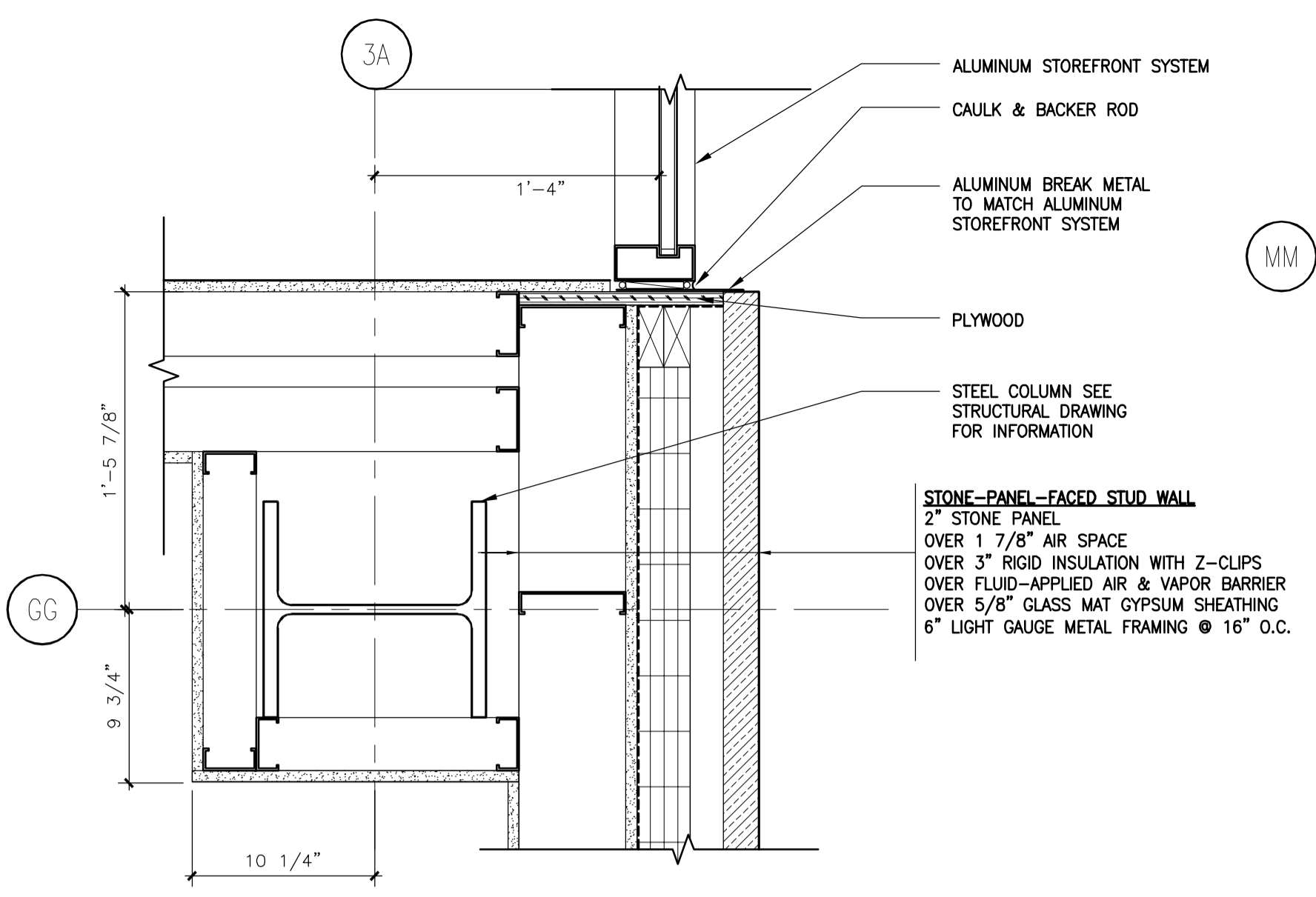
1919 ALLIANT ENERGY CENTER WAY  
MADISON, WISCONSIN 53713

SHEET TITLE  
**INTERIOR ELEVATIONS**

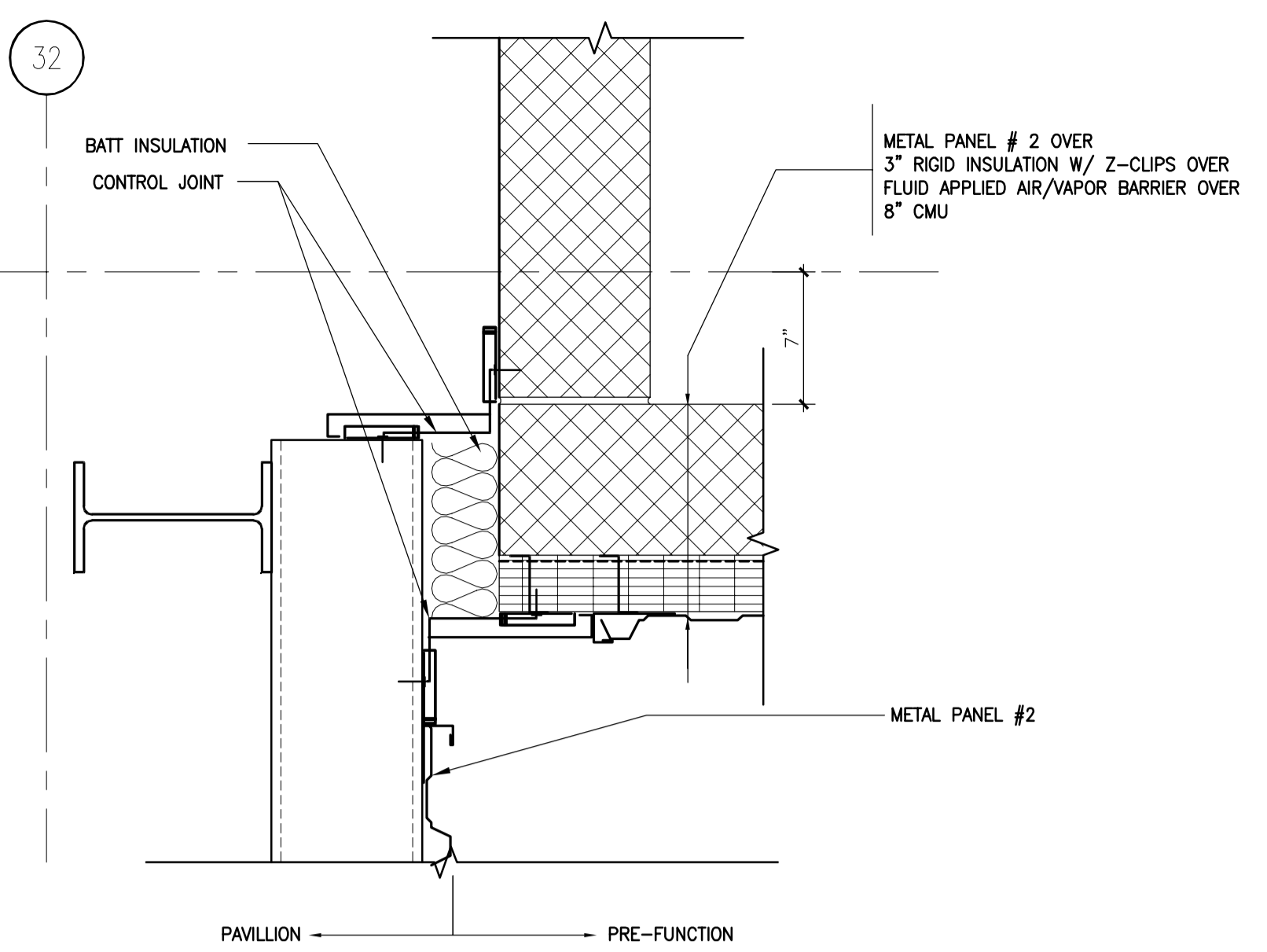
SHEET NO.  
**A708**



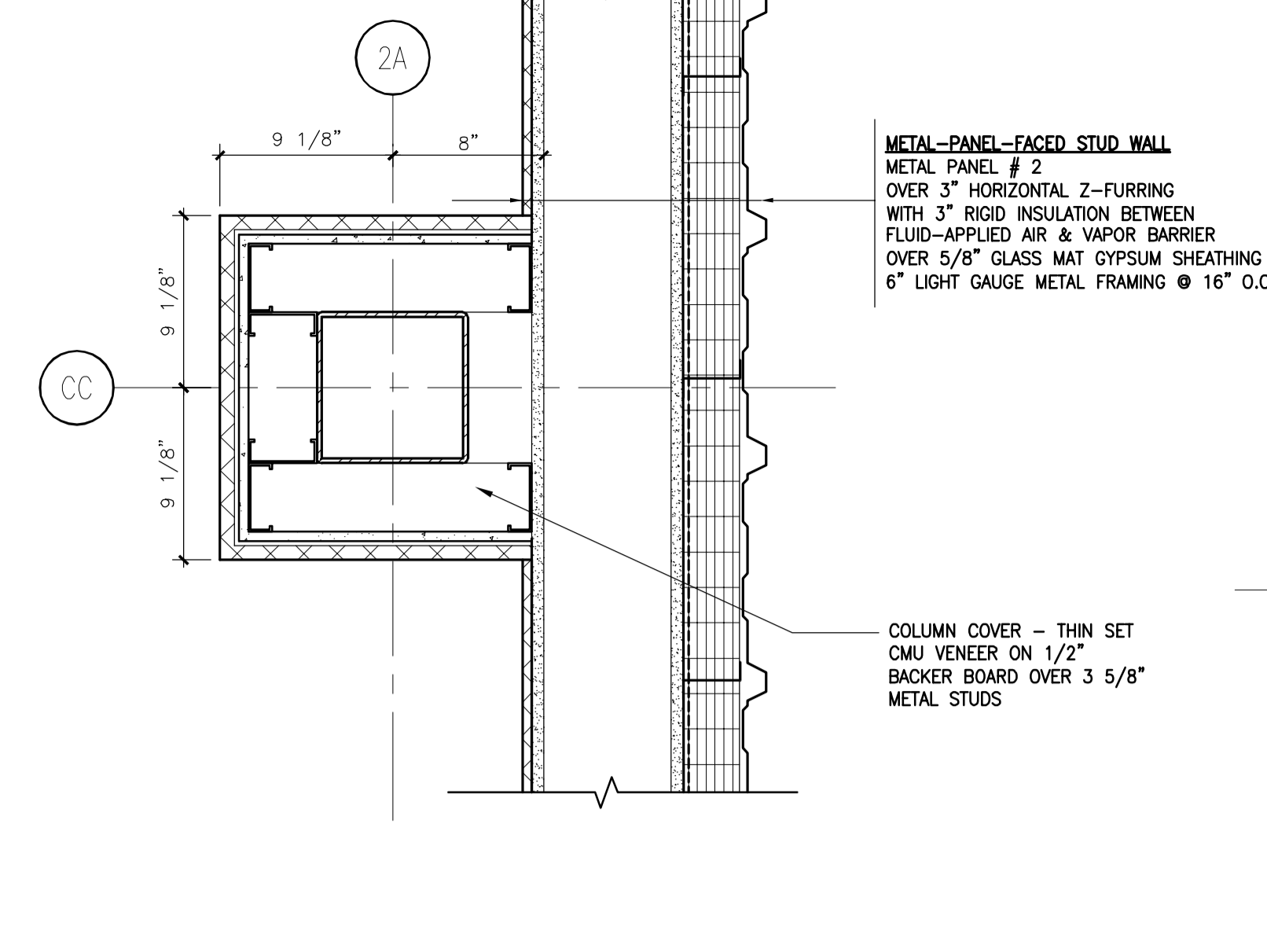
CARLOS RUIZ - 2009-03-27 PM 4:30:30:307 - ALLIANT ENERGY CENTER LUBESTOCK & EXHIBITION SPACE EXPANSION 2013027\_02 - ALLIANT ENERGY CENTER - LUBESTOCK AND EXHIBITION HALL DRAWING 2013027\_02-A708.DWG



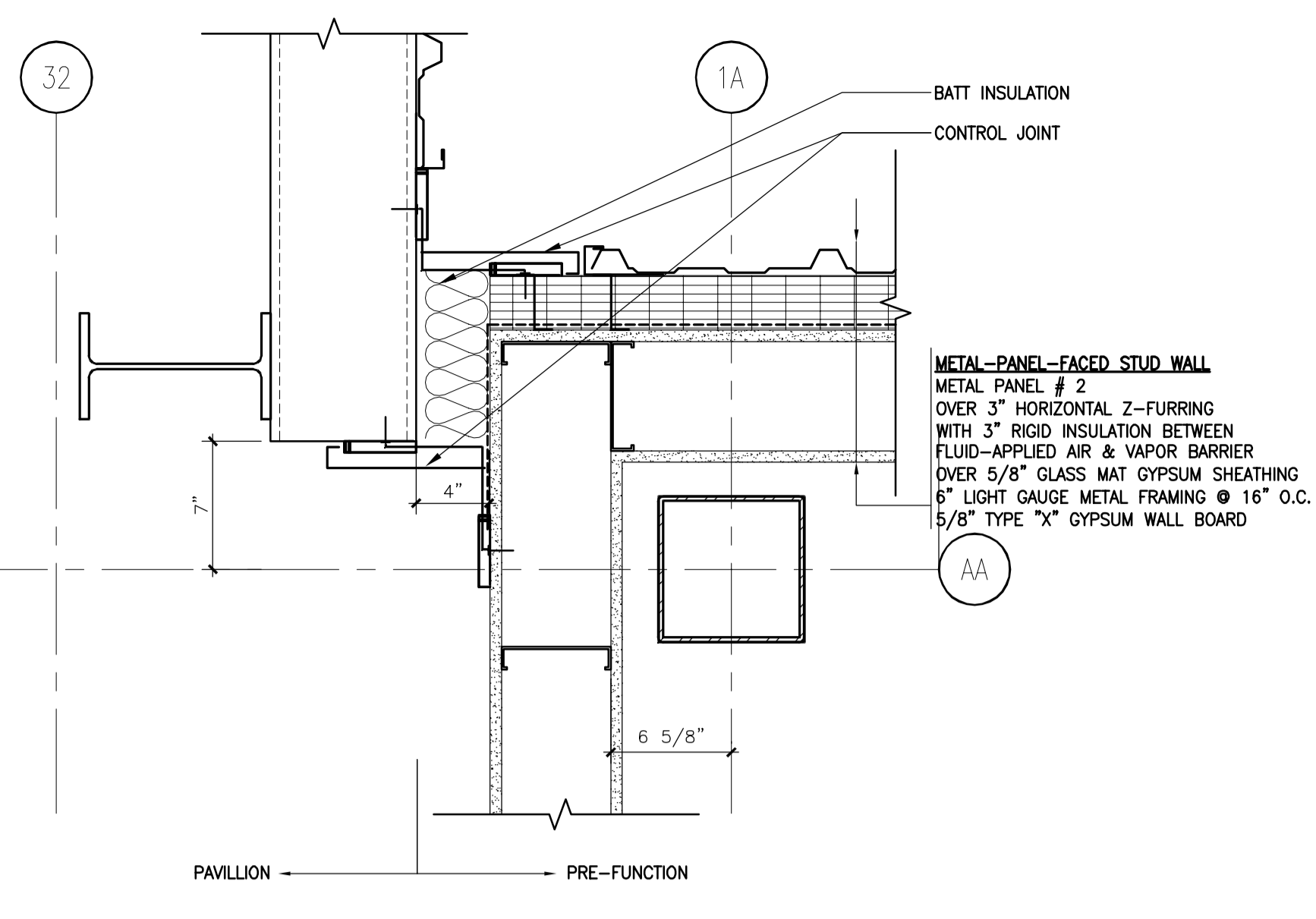
10  
AB01 JAMB DETAIL  
SCALE: 1 1/2" = 1'0"



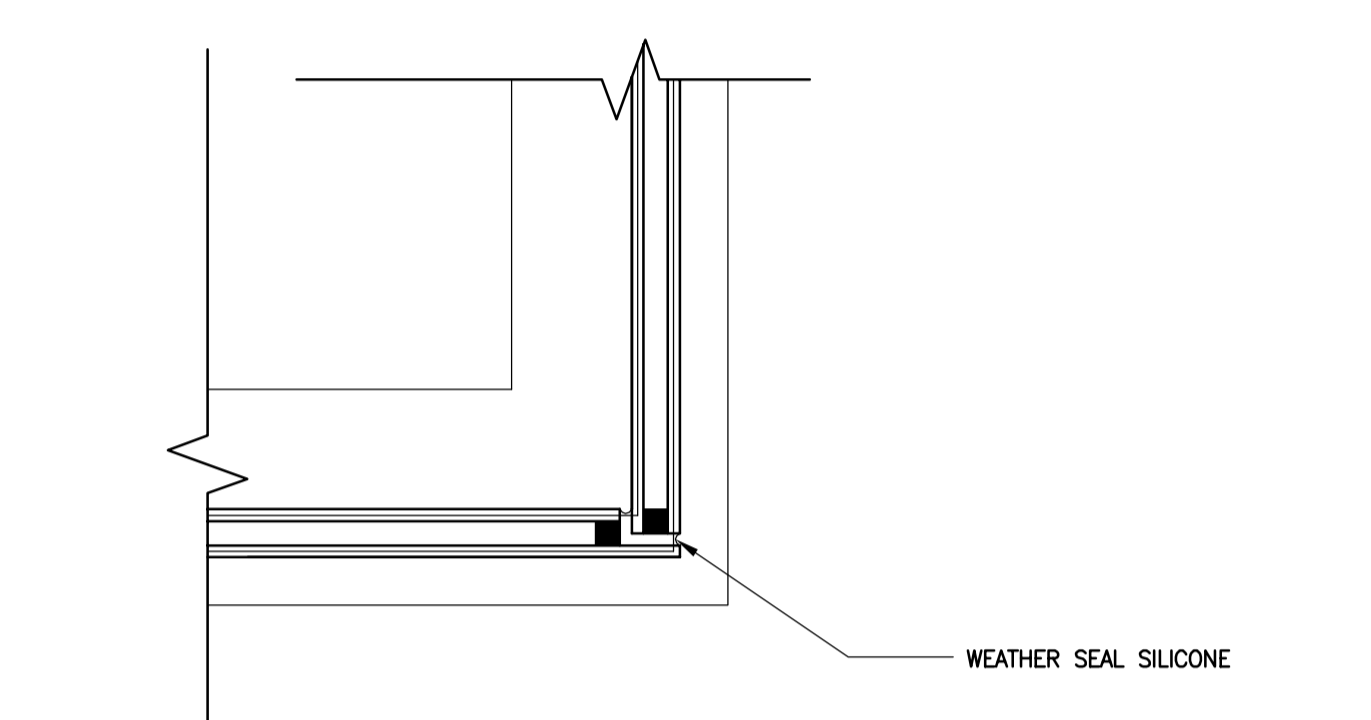
7  
AB01 EXPANSION JOINT DETAIL - SOUTH SIDE  
SCALE: 1 1/2" = 1'0"



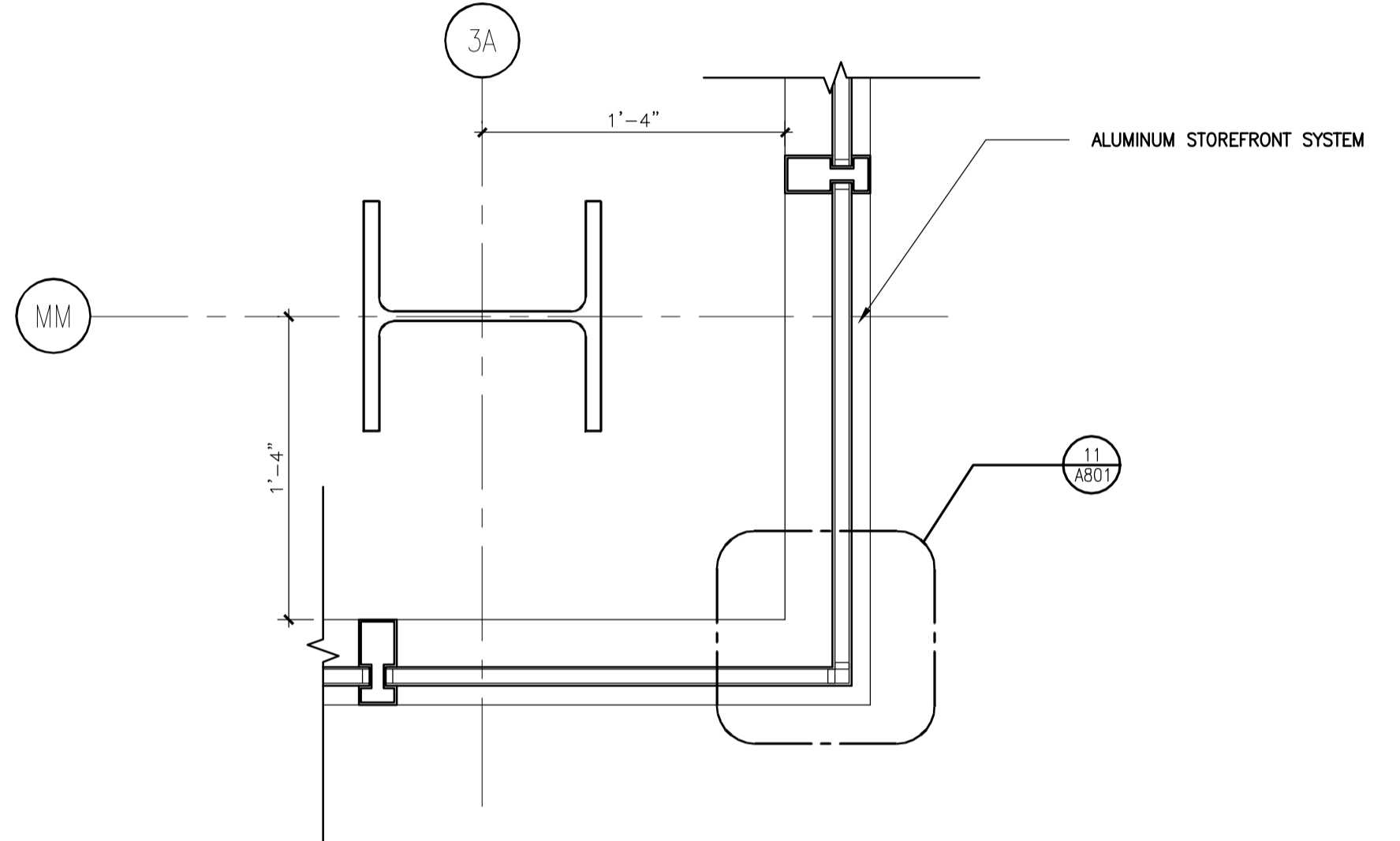
4  
AB01 PLAN DETAIL  
SCALE: 1 1/2" = 1'0"



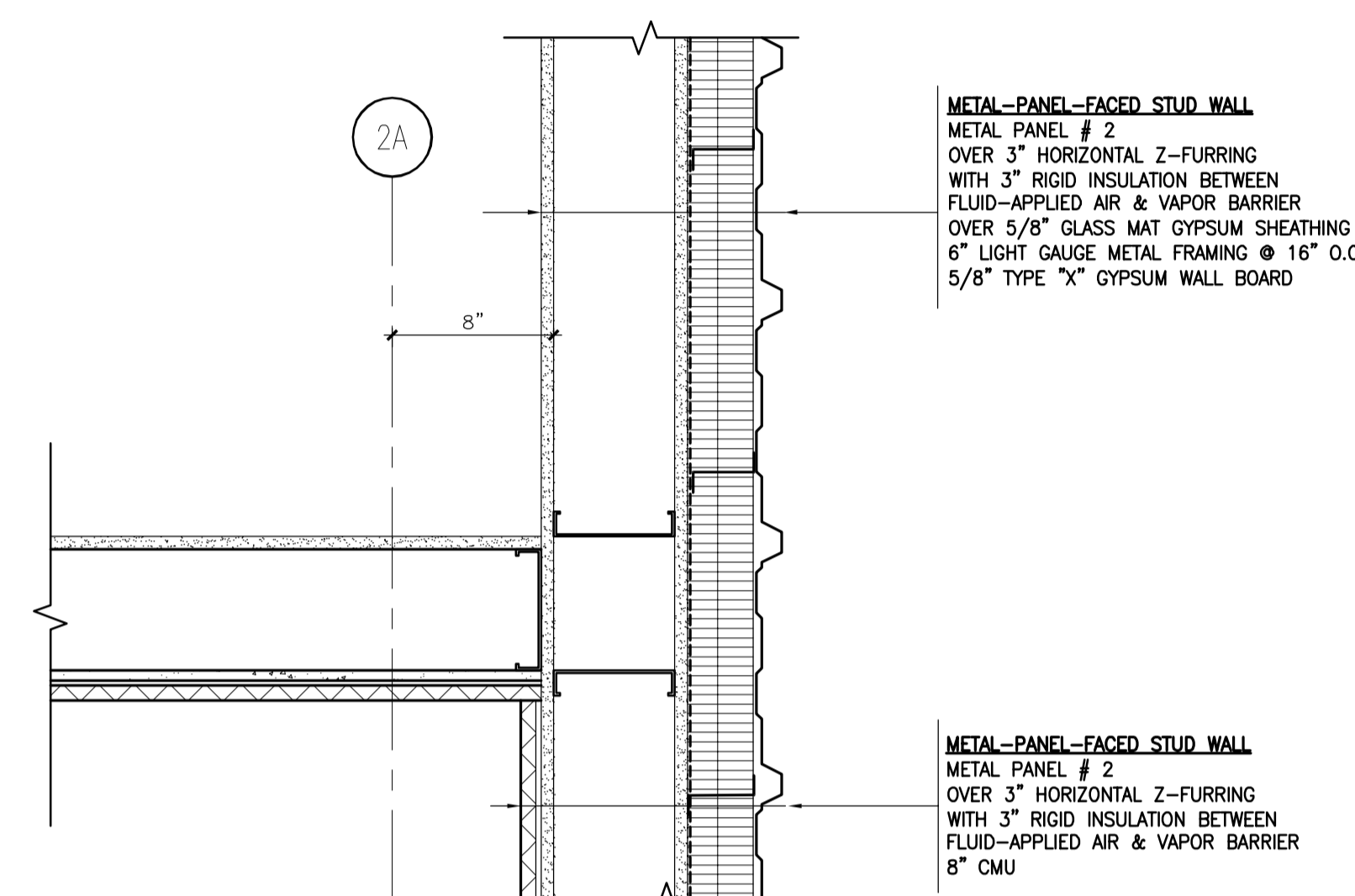
1  
AB01 EXPANSION JOINT DETAIL - NORTH SIDE  
SCALE: 1 1/2" = 1'0"



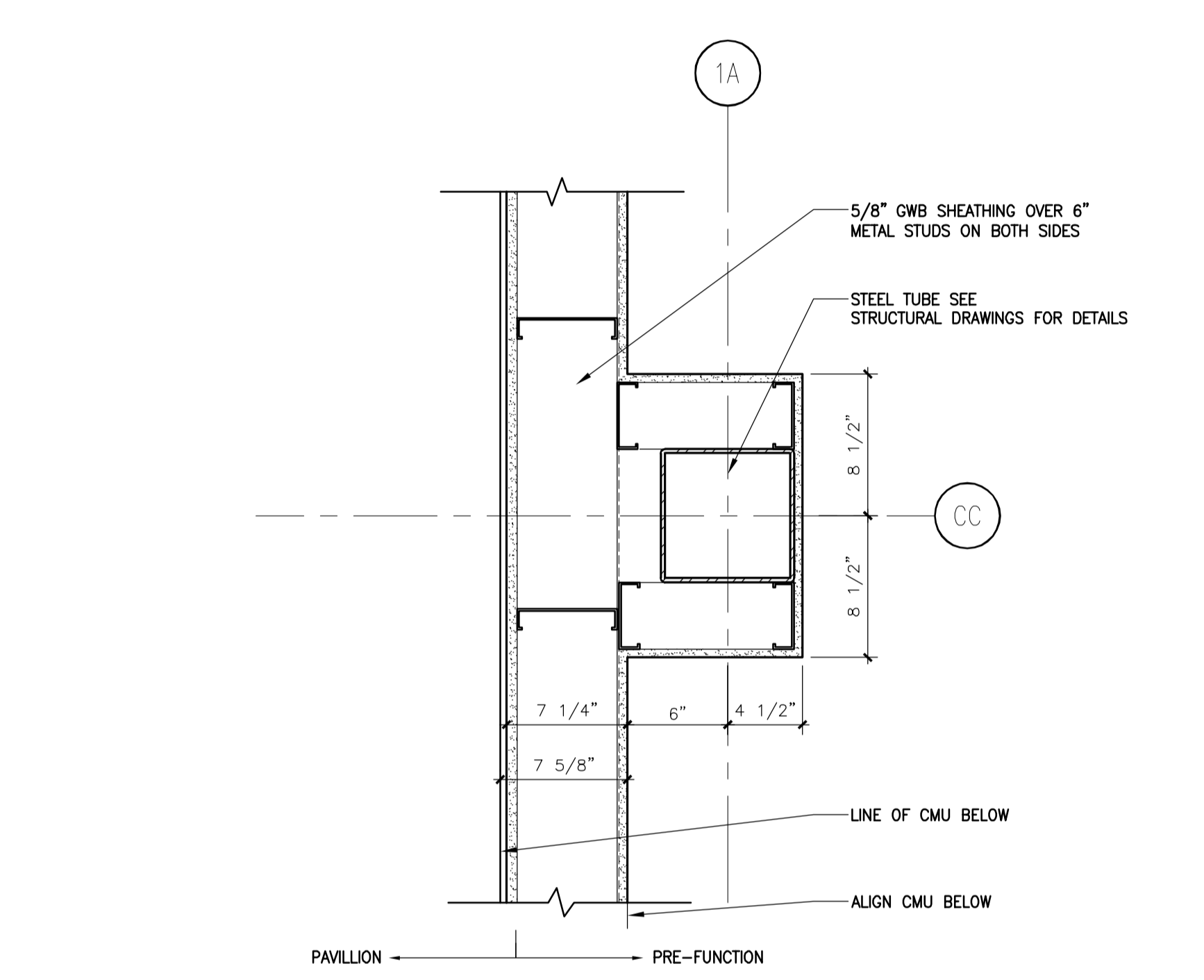
11  
AB01 GLASS CORNER DETAIL  
SCALE: 3" = 1'0"



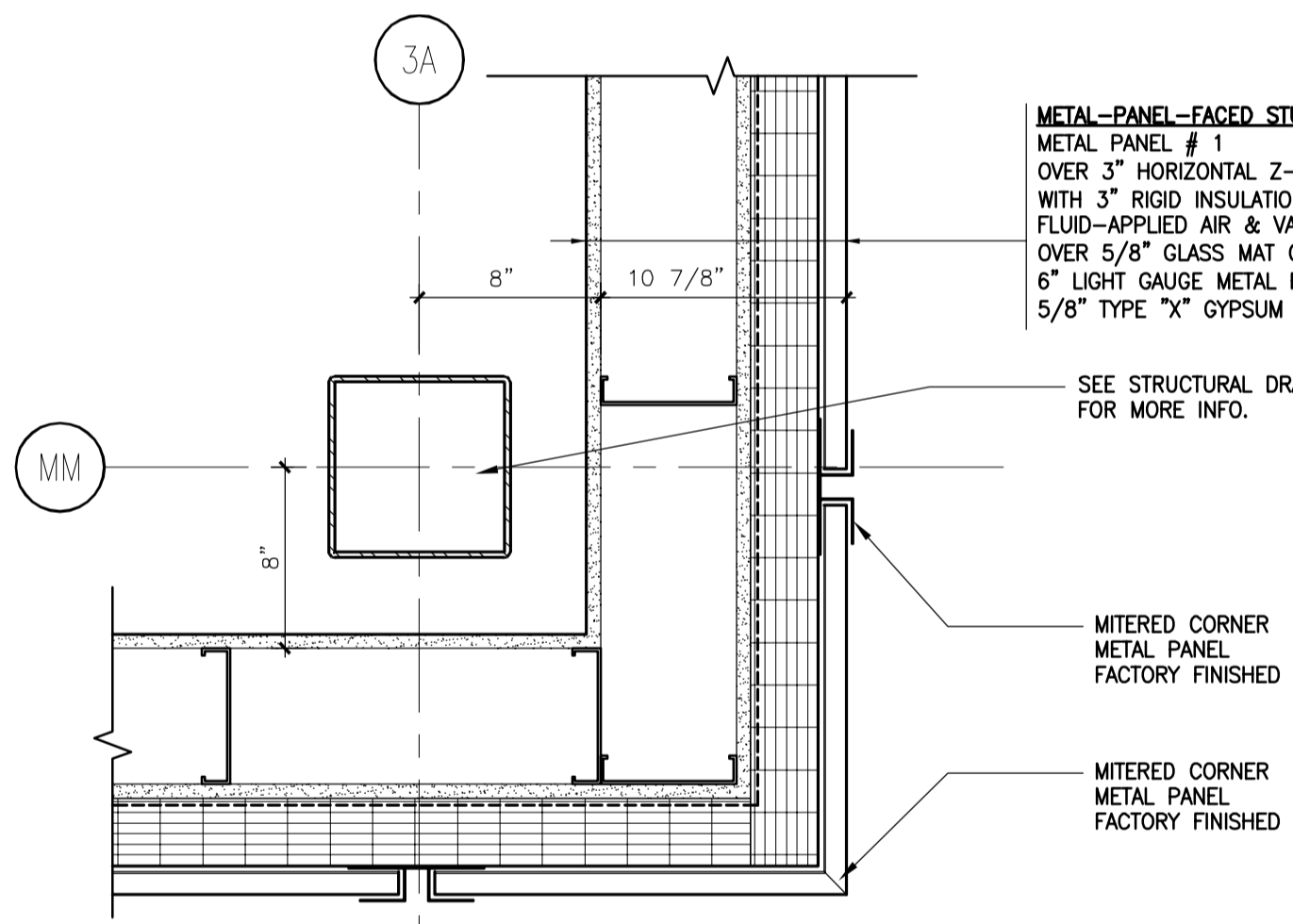
8  
AB01 CORNER DETAIL  
SCALE: 1 1/2" = 1'0"



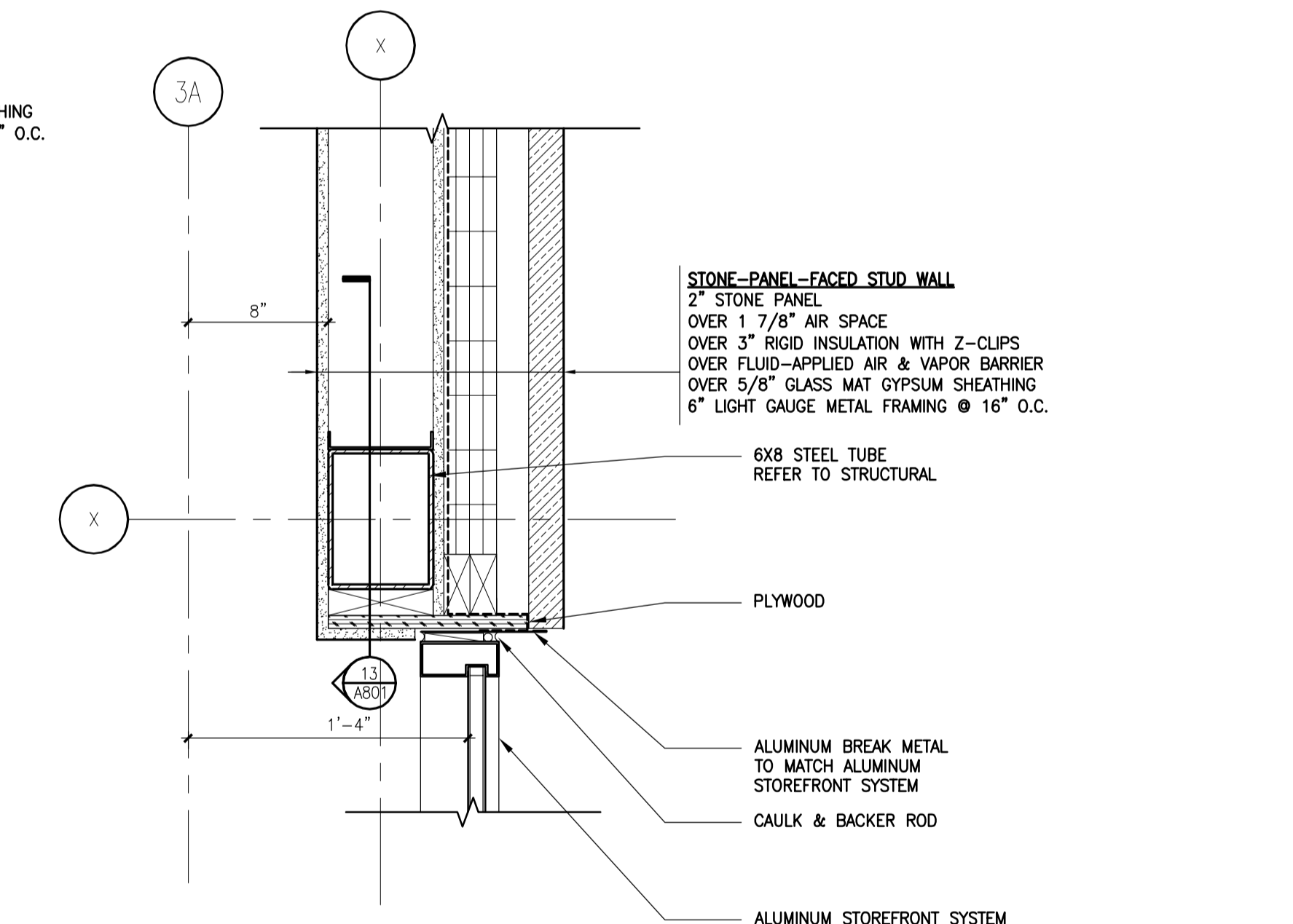
5  
AB01 PLAN DETAIL  
SCALE: 1 1/2" = 1'0"



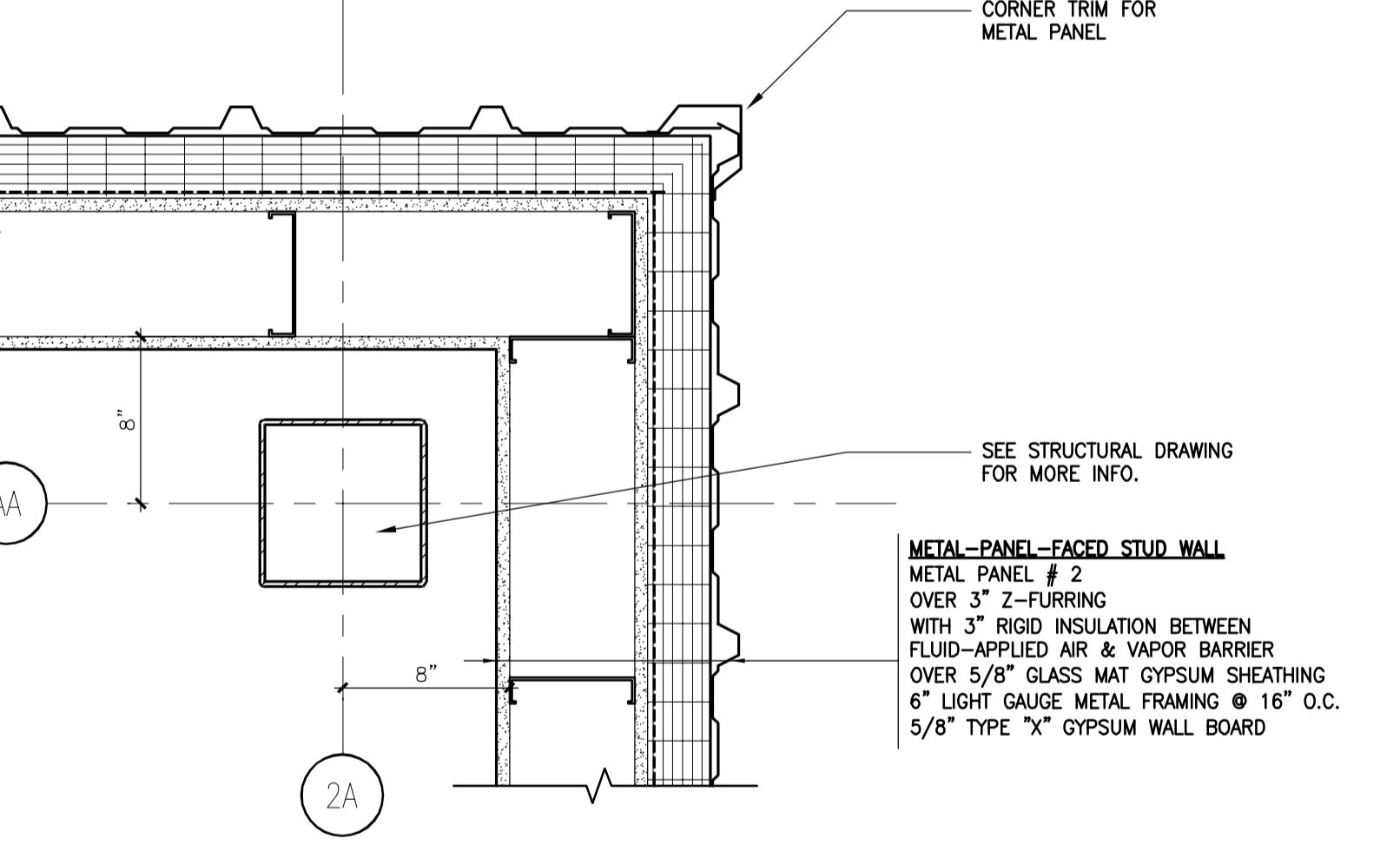
2  
AB01 PLAN DETAIL  
SCALE: 1 1/2" = 1'0"



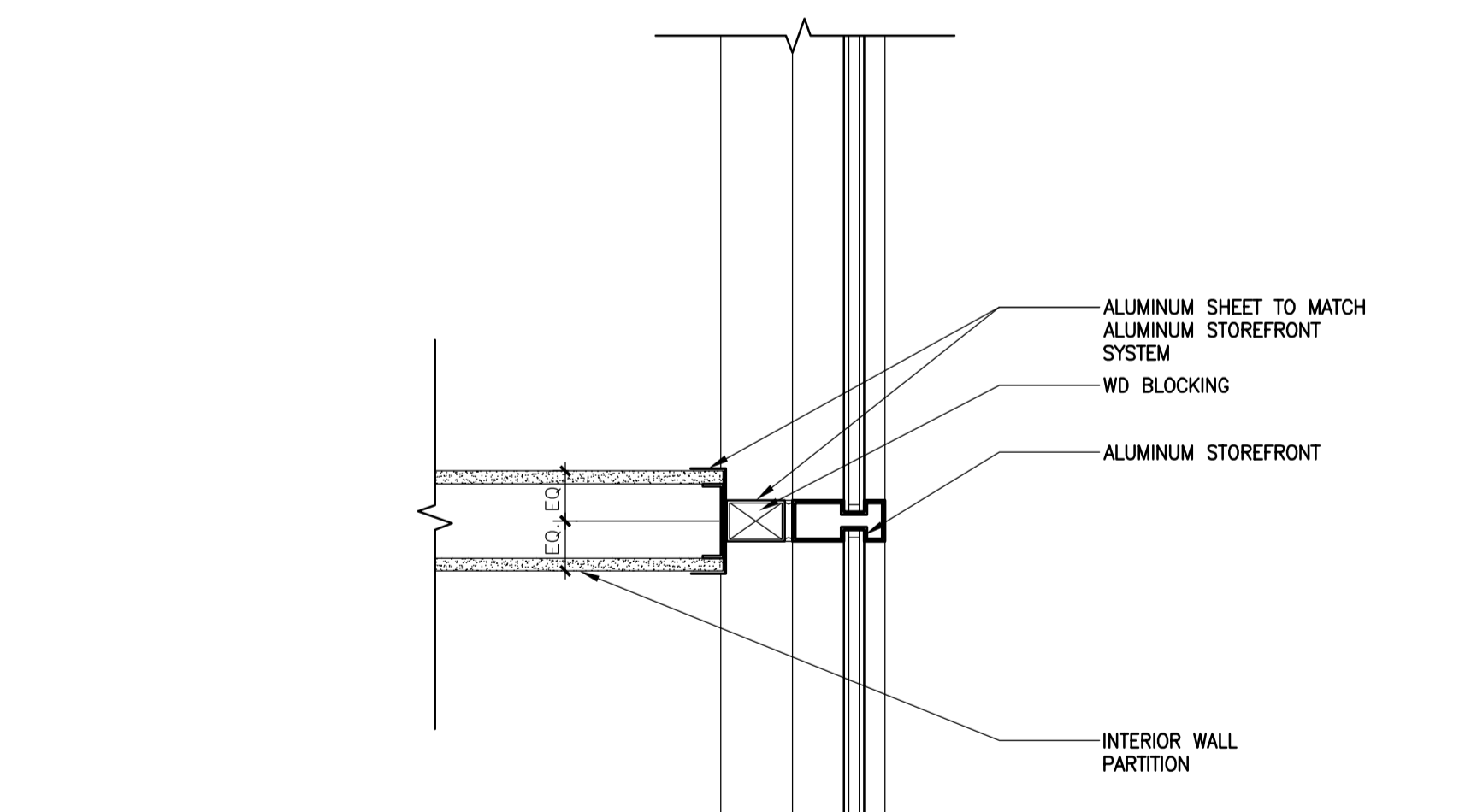
12  
AB01 METAL PANEL CORNER DETAIL  
SCALE: 1 1/2" = 1'0"



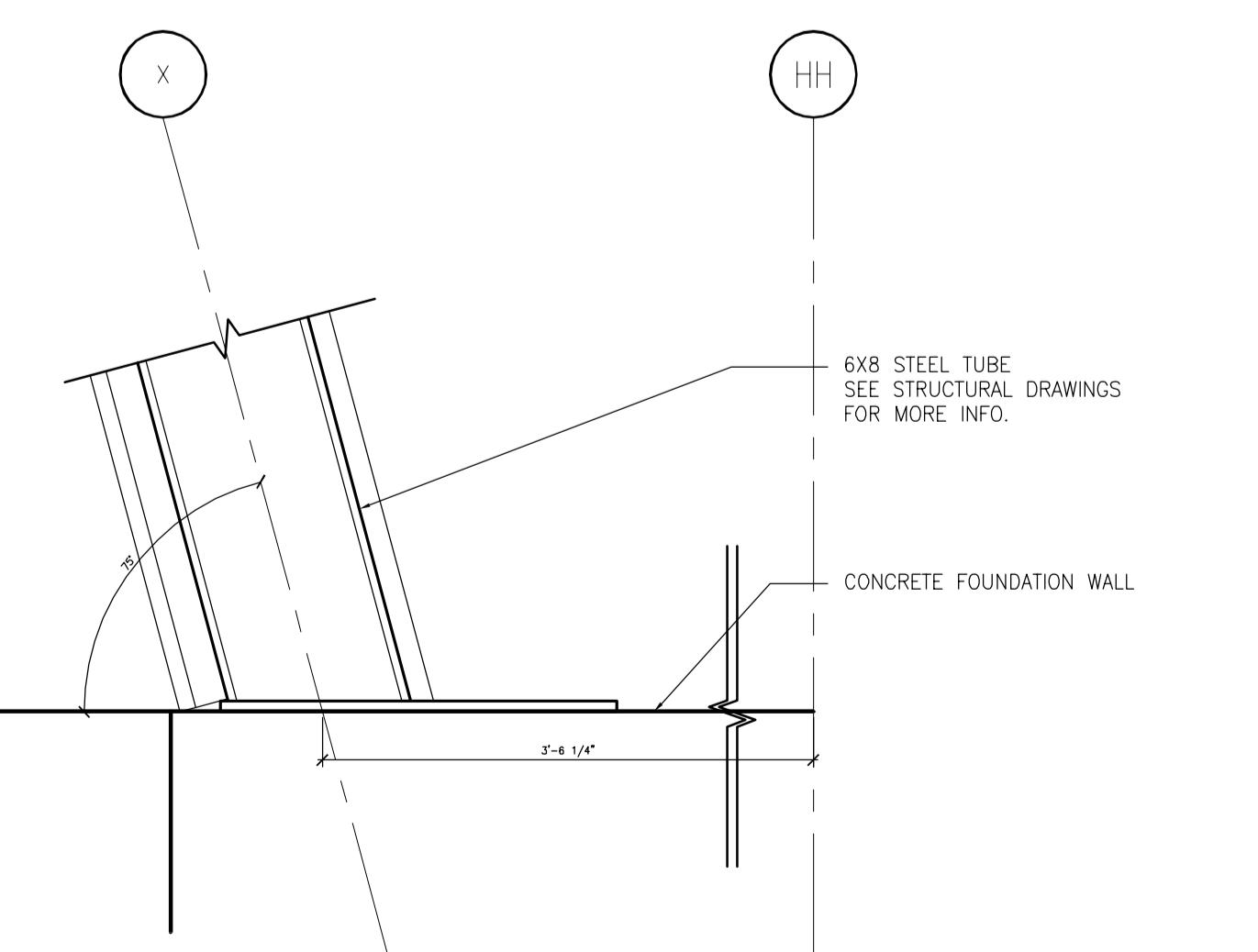
9  
AB01 WINDOW JAMB DETAIL  
SCALE: 1 1/2" = 1'0"



6  
AB01 CORNER DETAIL  
SCALE: 1 1/2" = 1'0"



3  
AB01 WINDOW MULLION PLAN DETAIL  
SCALE: 1 1/2" = 1'0"



13  
AB01 STEEL MOUNTING DETAIL  
SCALE: 1 1/2" = 1'0"

DRAWING SET	CD
COPYRIGHT	2013
STRANG, INC.	
FILE NAME	2013027_02-AB01.DWG
REVISIONS	
DRAWN	###
CHECKED	###
DATE	10-29-13
PROJECT NO.	2013027_02
PROJECT TITLE	

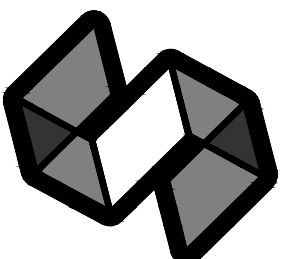
ALLIANT ENERGY  
CENTER PAVILIONS  
BID # 313072

1919 ALLIANT ENERGY CENTER WAY  
MADISON, WISCONSIN 53713

SHEET TITLE  
EXTERIOR  
PLAN DETAILS

SHEET NO.  
A801

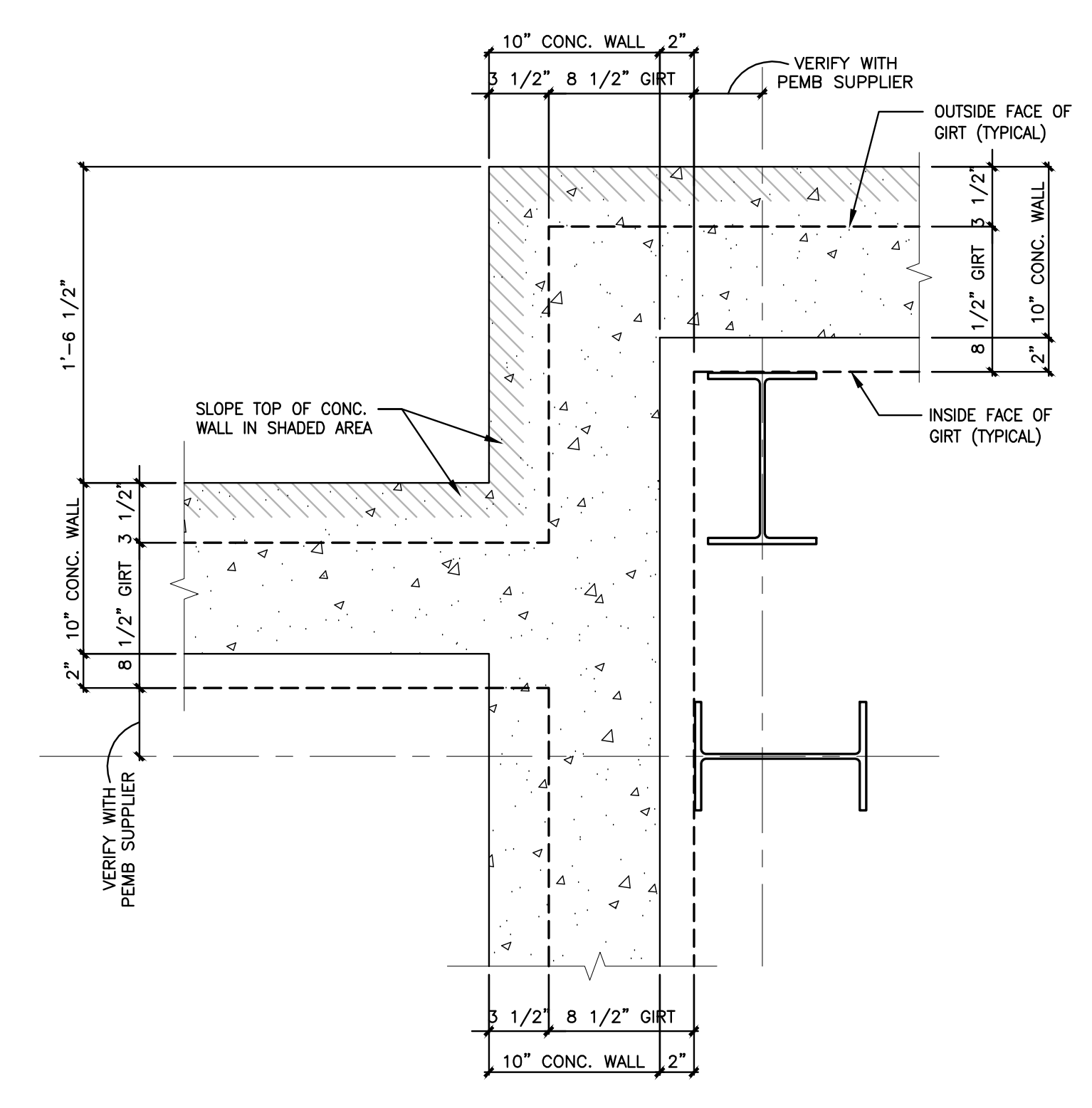
CARLOS RUIZ 2009-6-30 2:27 PM 'K' 2013/02/07 - ALLIANT ENERGY CENTER LIFESTOCK & EXHIBITION SPACE EXPANSION 2013027\_02 - ALLIANT ENERGY CENTER - LIFESTOCK AND EXHIBITION HALL DRAWINGS 2013027\_02-AB01.DWG



**STRANG**

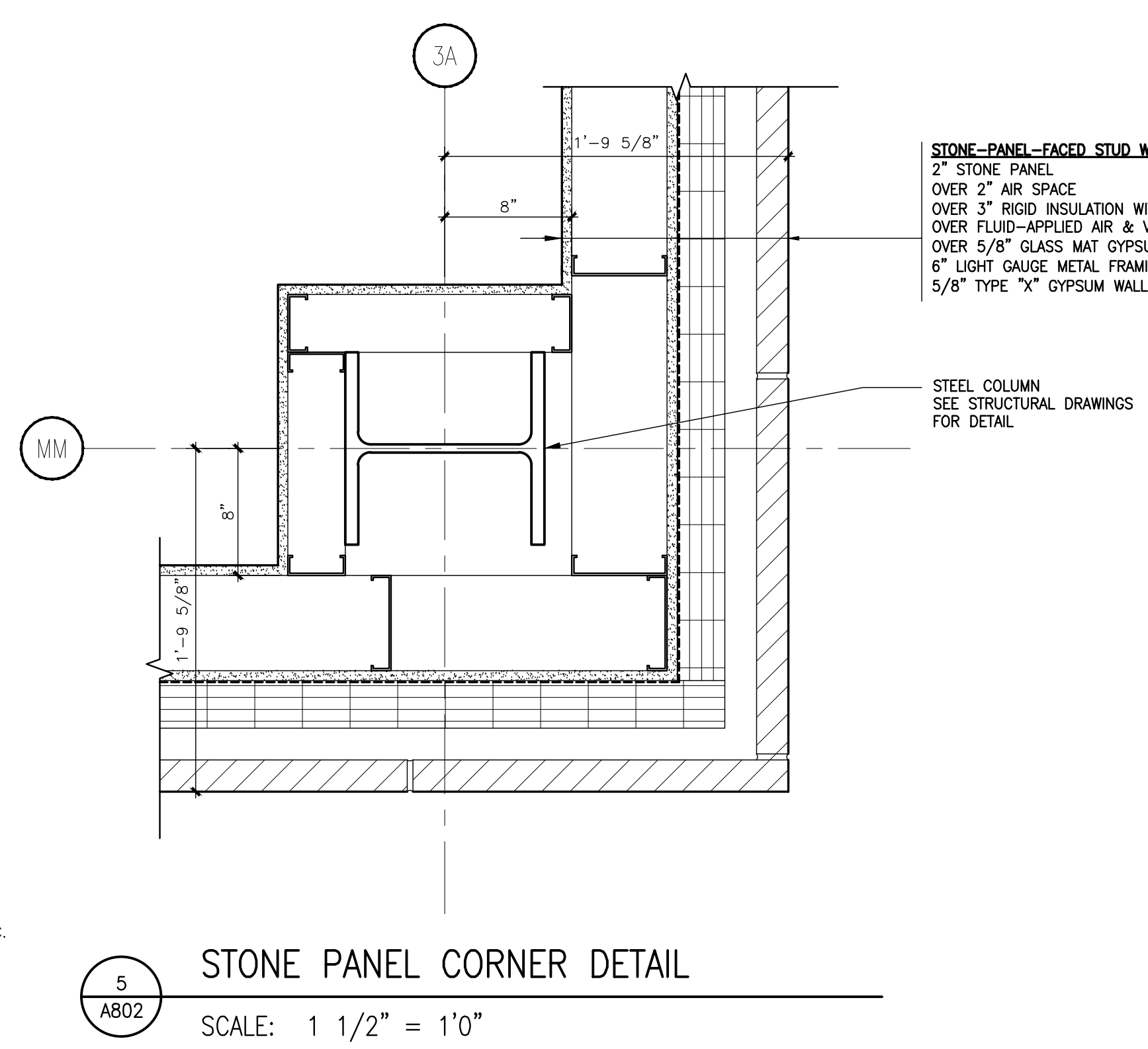
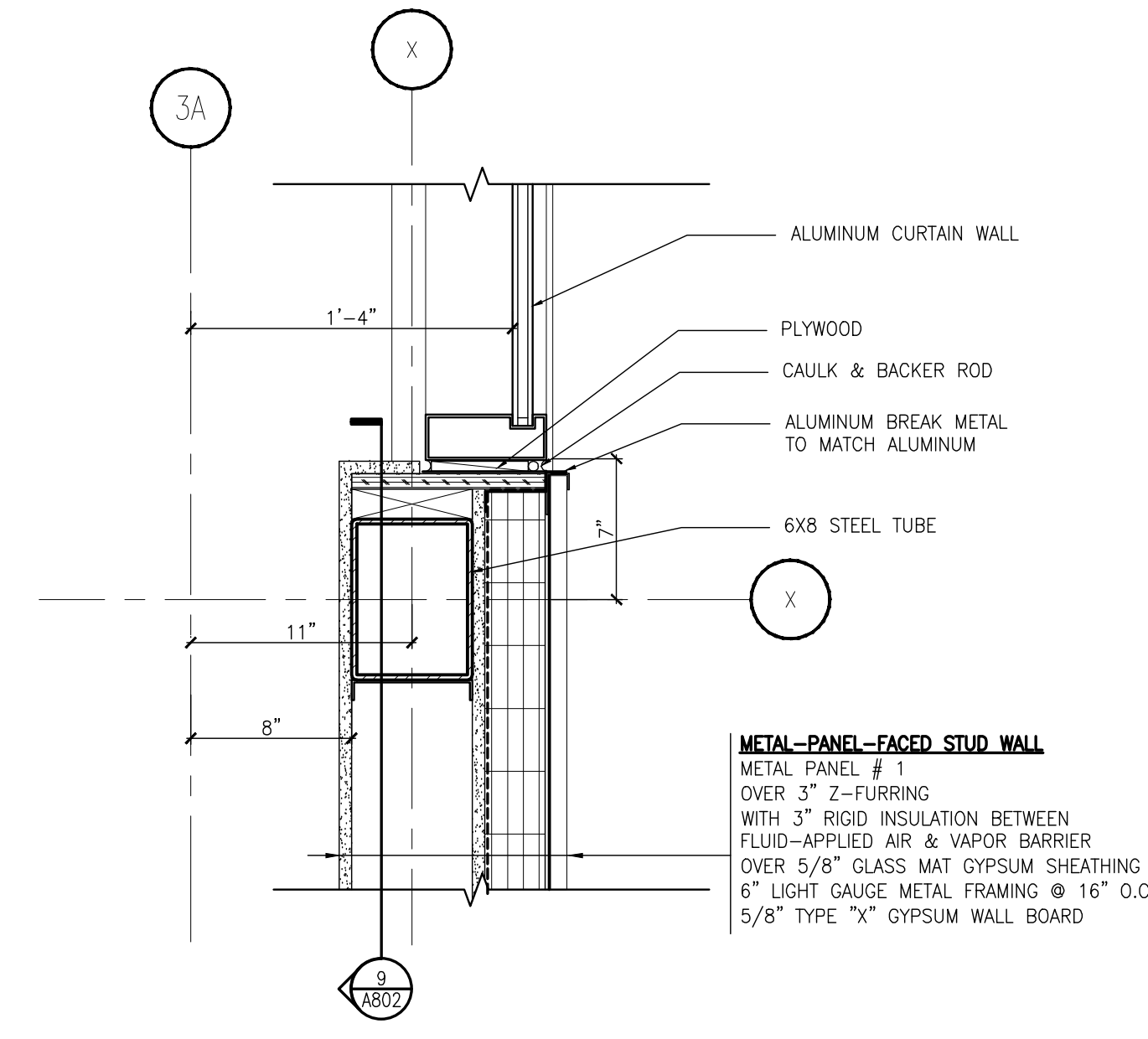
ARCHITECTURE  
INTERIOR DESIGN

STRANG INC.  
8411 MINERAL POINT ROAD  
MADISON, WI 53705-4395  
T/ 608 276 9200  
F/ 608 276 9204



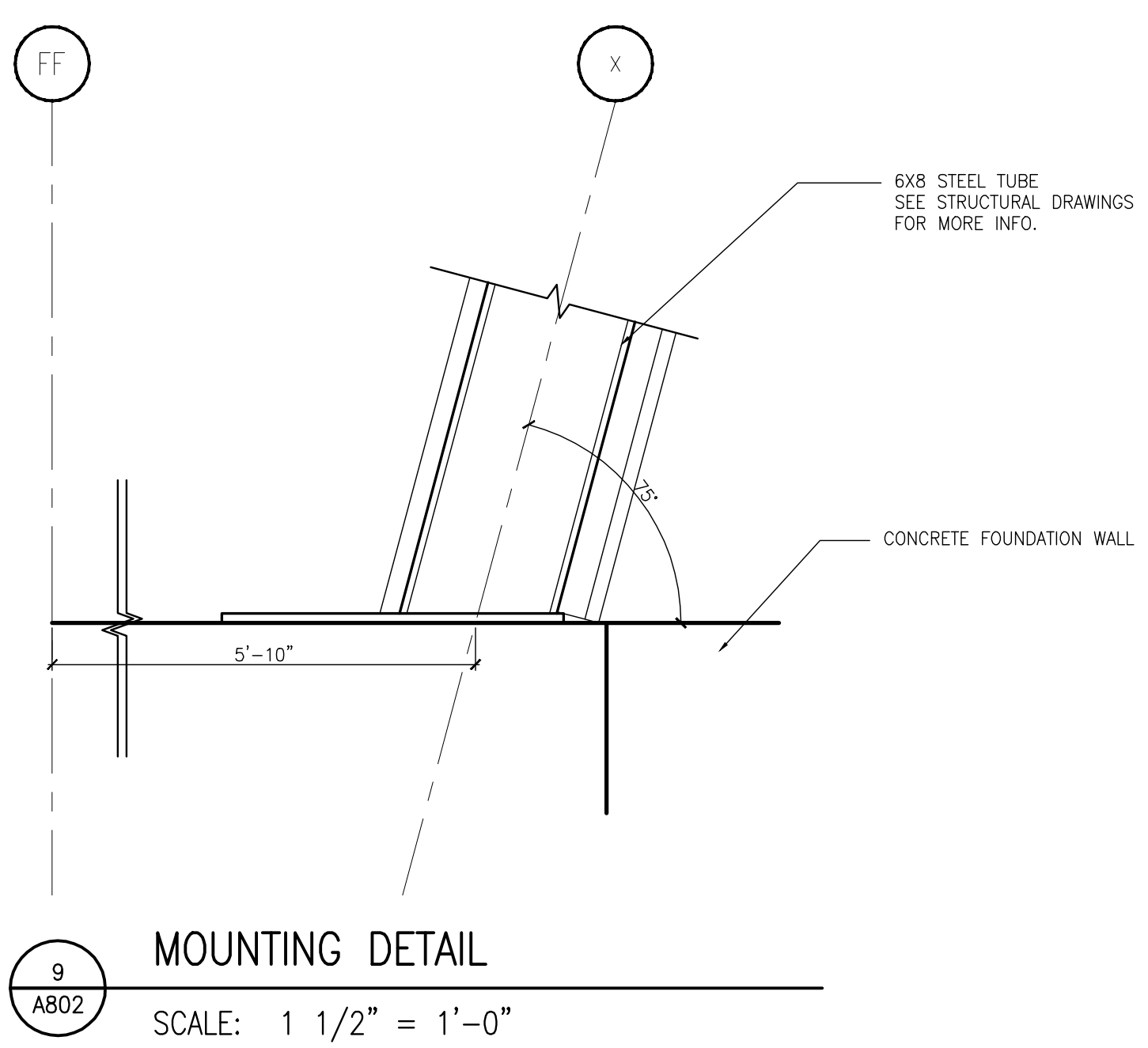
4 PLAN DETAIL  
SCALE: 1 1/2" = 1'0"

7 CORNER PLAN VIEW  
SCALE: 1 1/2" = 1'-0"

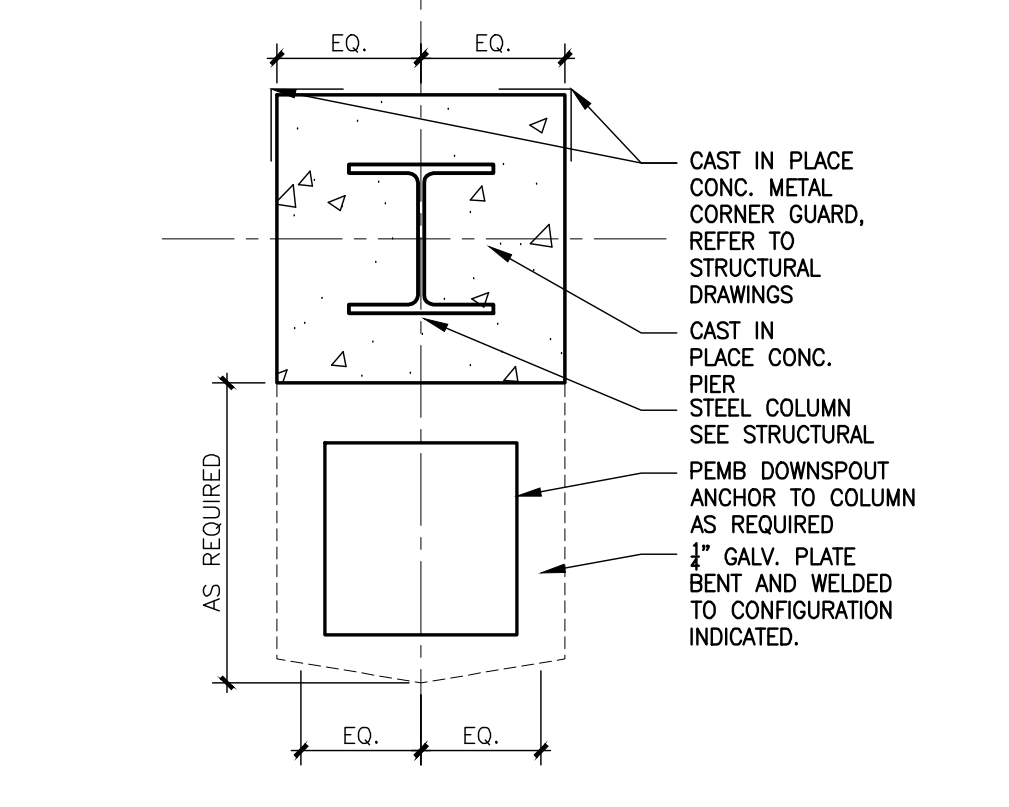


5 STONE PANEL CORNER DETAIL  
SCALE: 1 1/2" = 1'0"

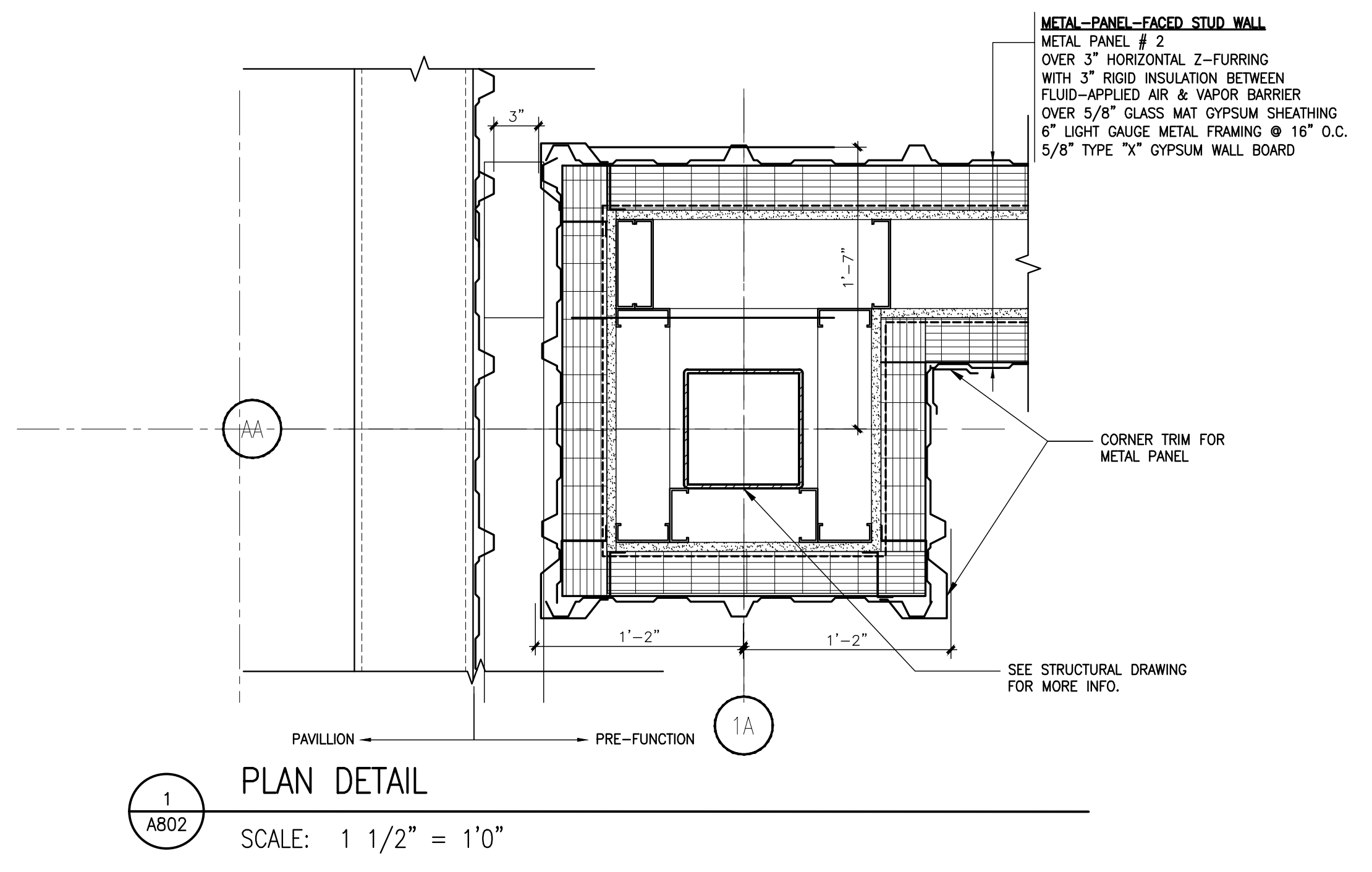
8 WINDOW JAMB DETAIL  
SCALE: 1 1/2" = 1'-0"



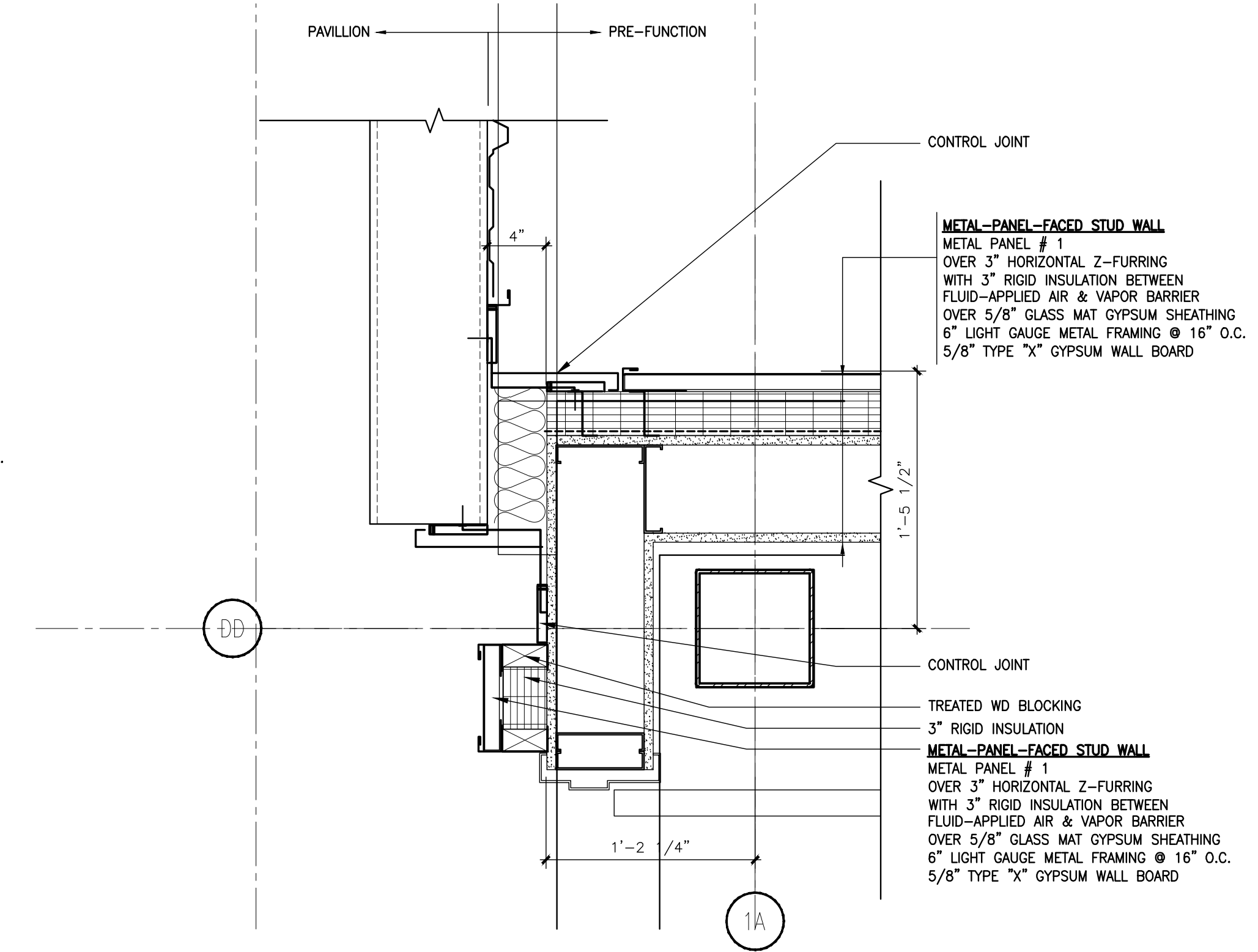
9 MOUNTING DETAIL  
SCALE: 1 1/2" = 1'-0"



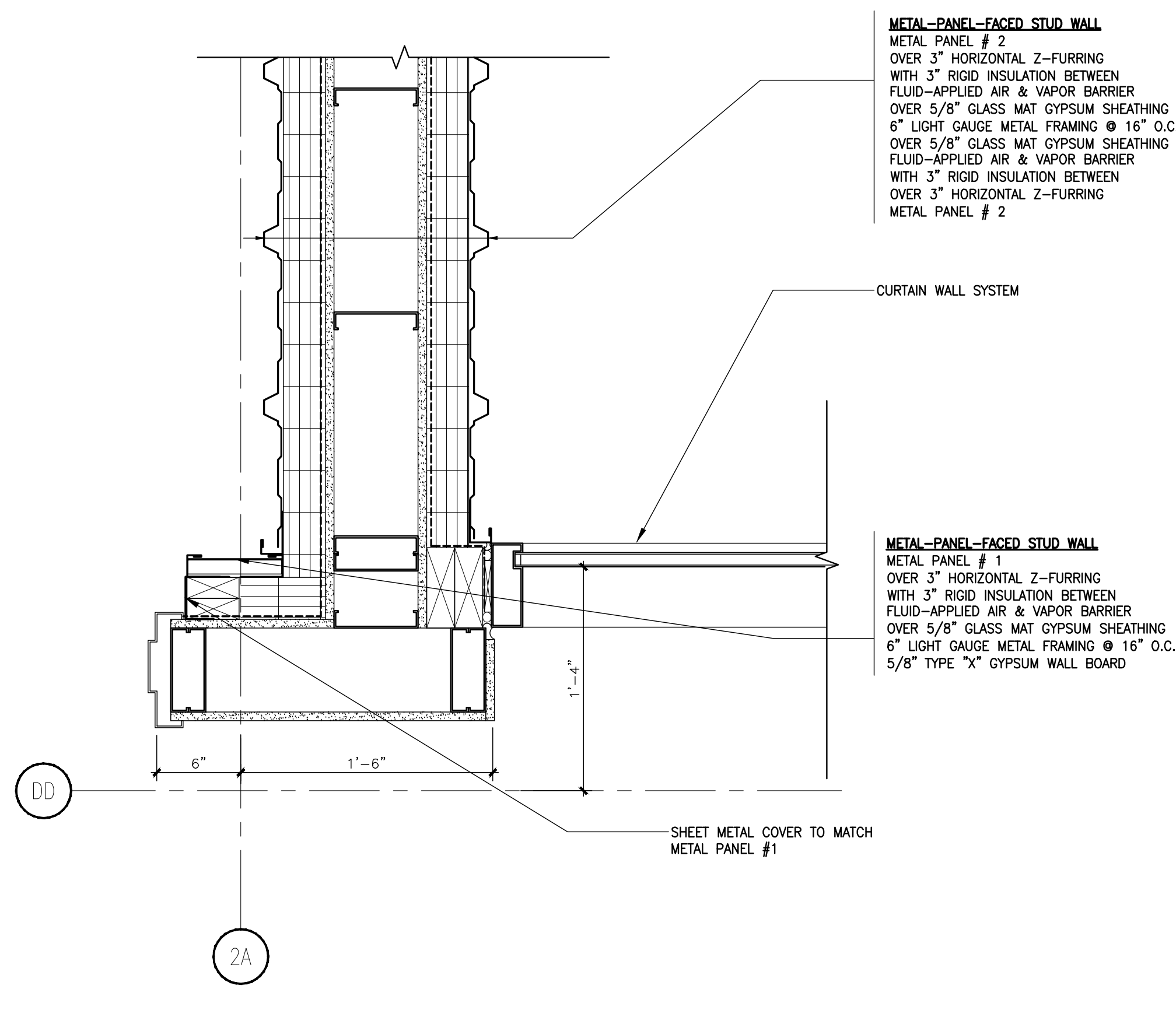
6 PLAN DETAIL  
SCALE: 1 1/2" = 1'0"



1 PLAN DETAIL  
SCALE: 1 1/2" = 1'0"



2 PLAN DETAIL  
SCALE: 1 1/2" = 1'0"



3 PLAN DETAIL  
SCALE: 1 1/2" = 1'0"

DRAWING SET	CD
COPYRIGHT	2013
FILE NAME	2013027_02-AB02.DWG
REVISIONS	

DRAWN	CR
CHECKED	RG
DATE	10-29-13
PROJECT NO.	2013027_02
PROJECT TITLE	

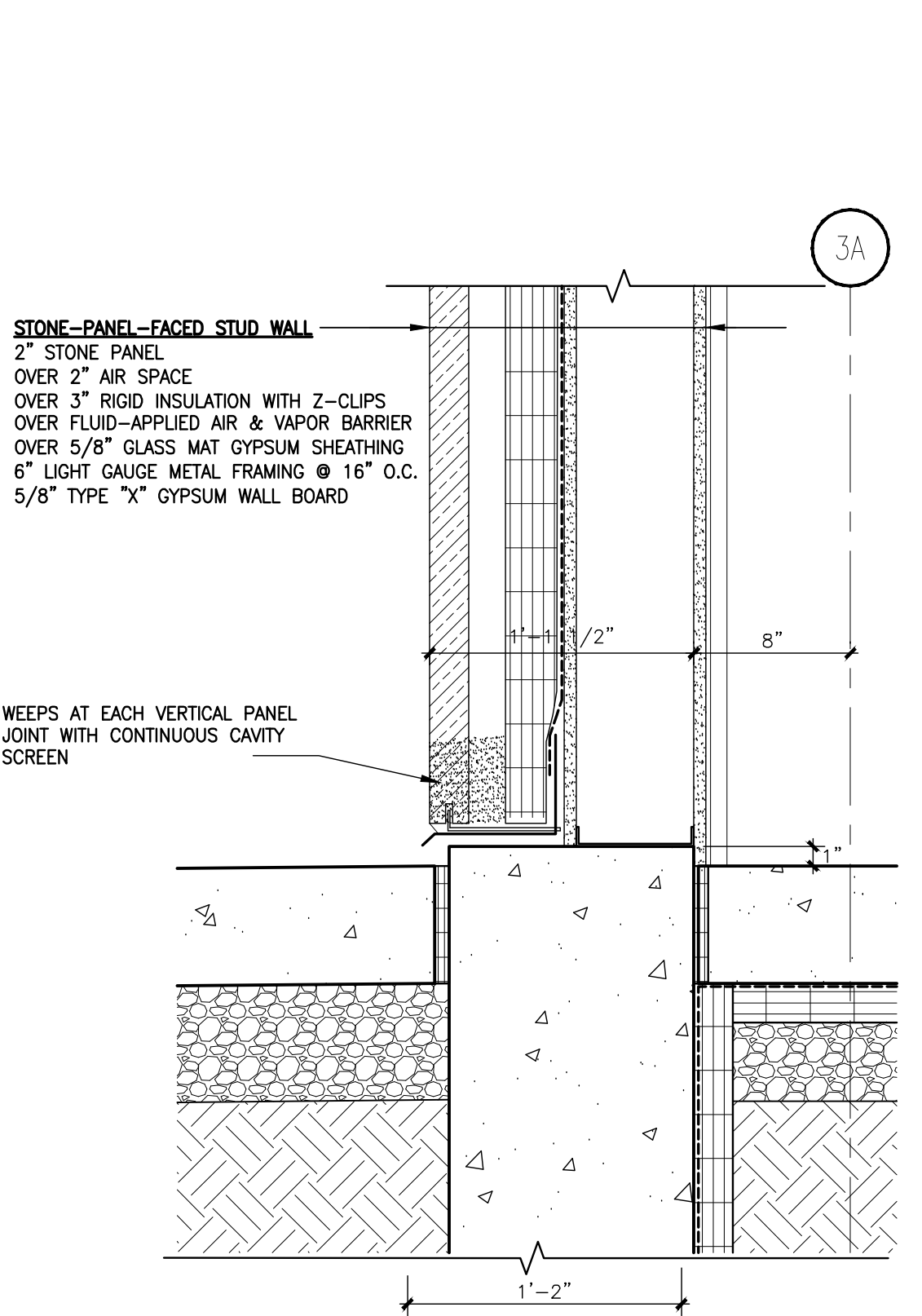
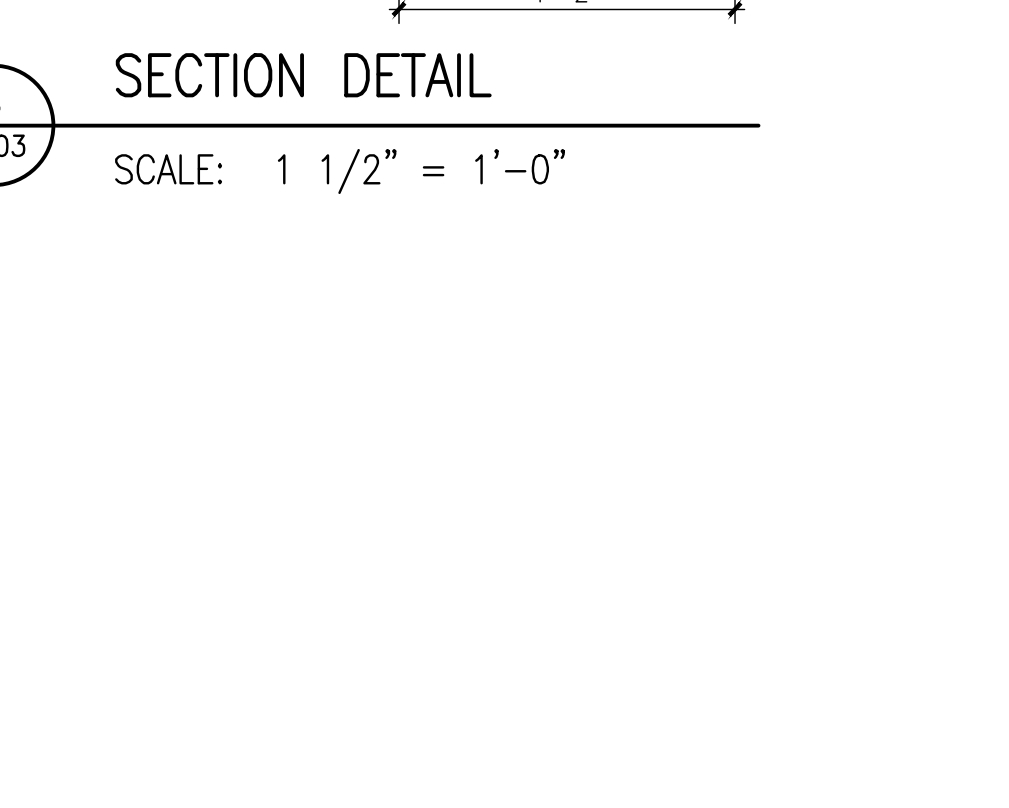
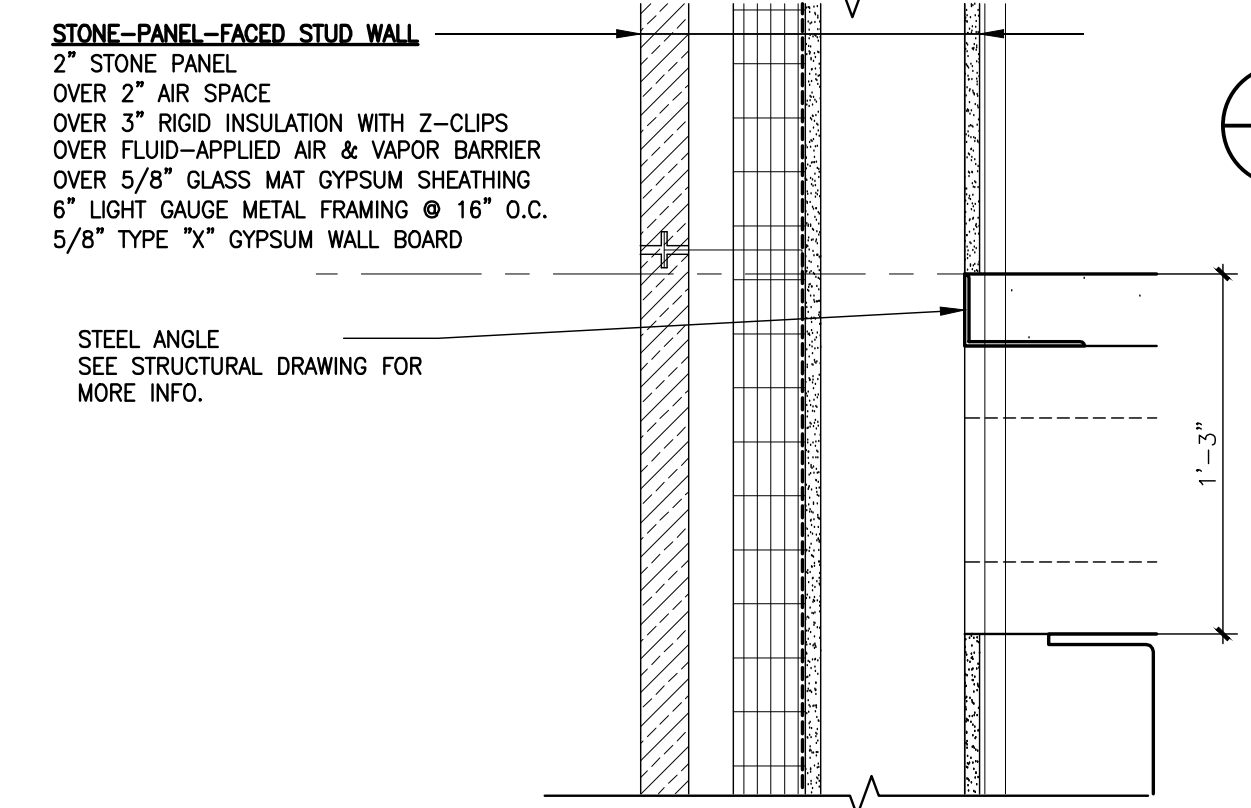
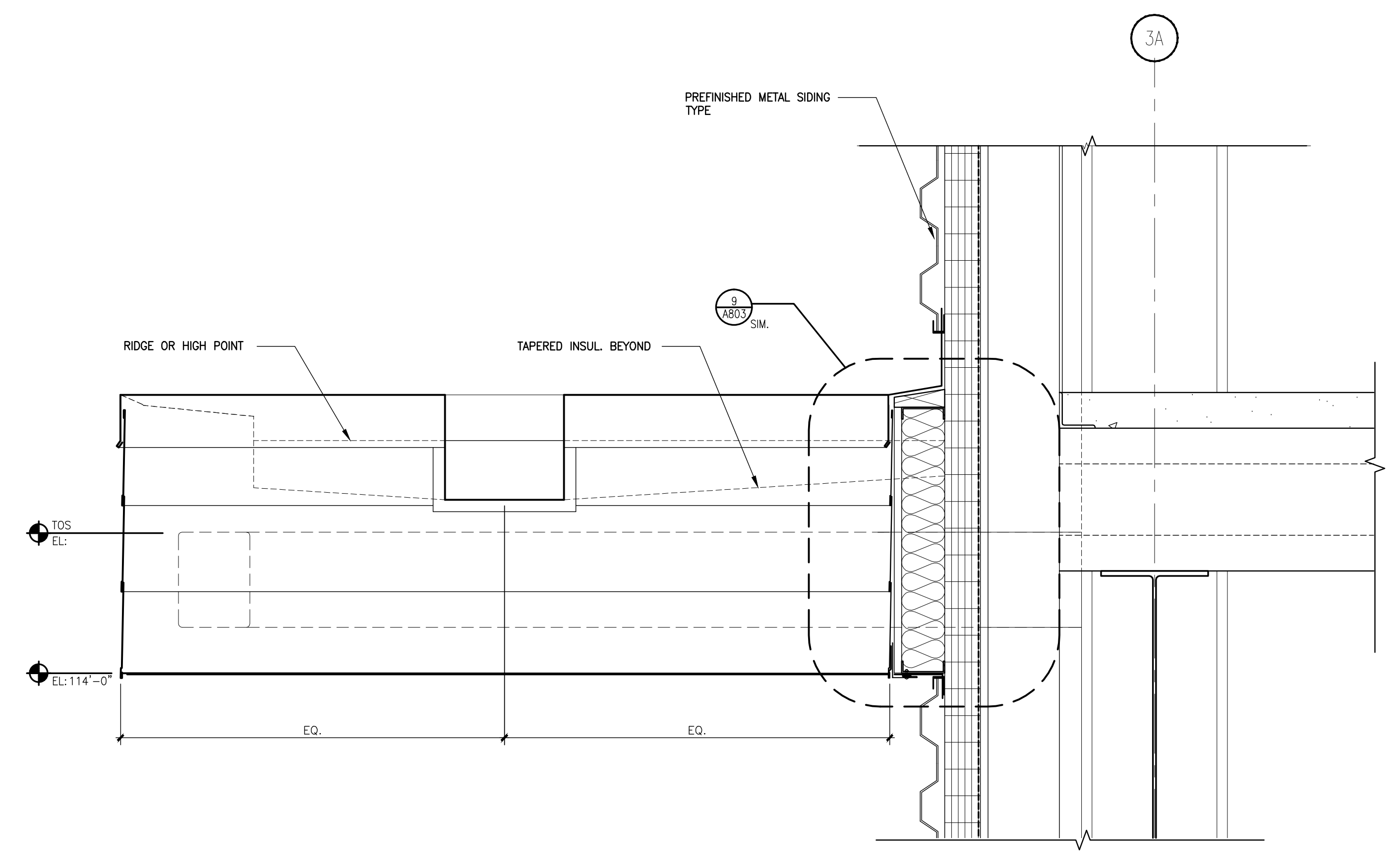
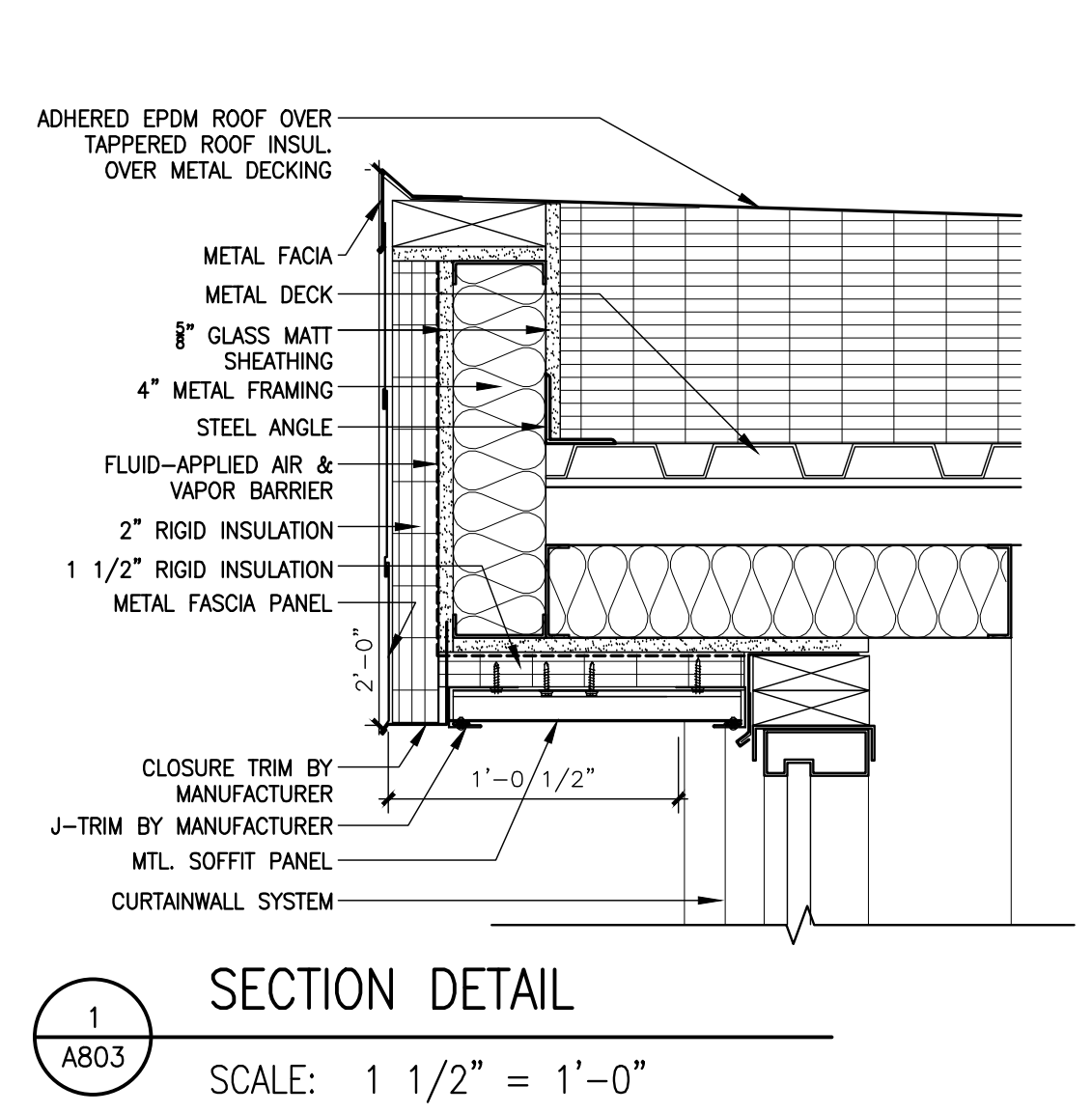
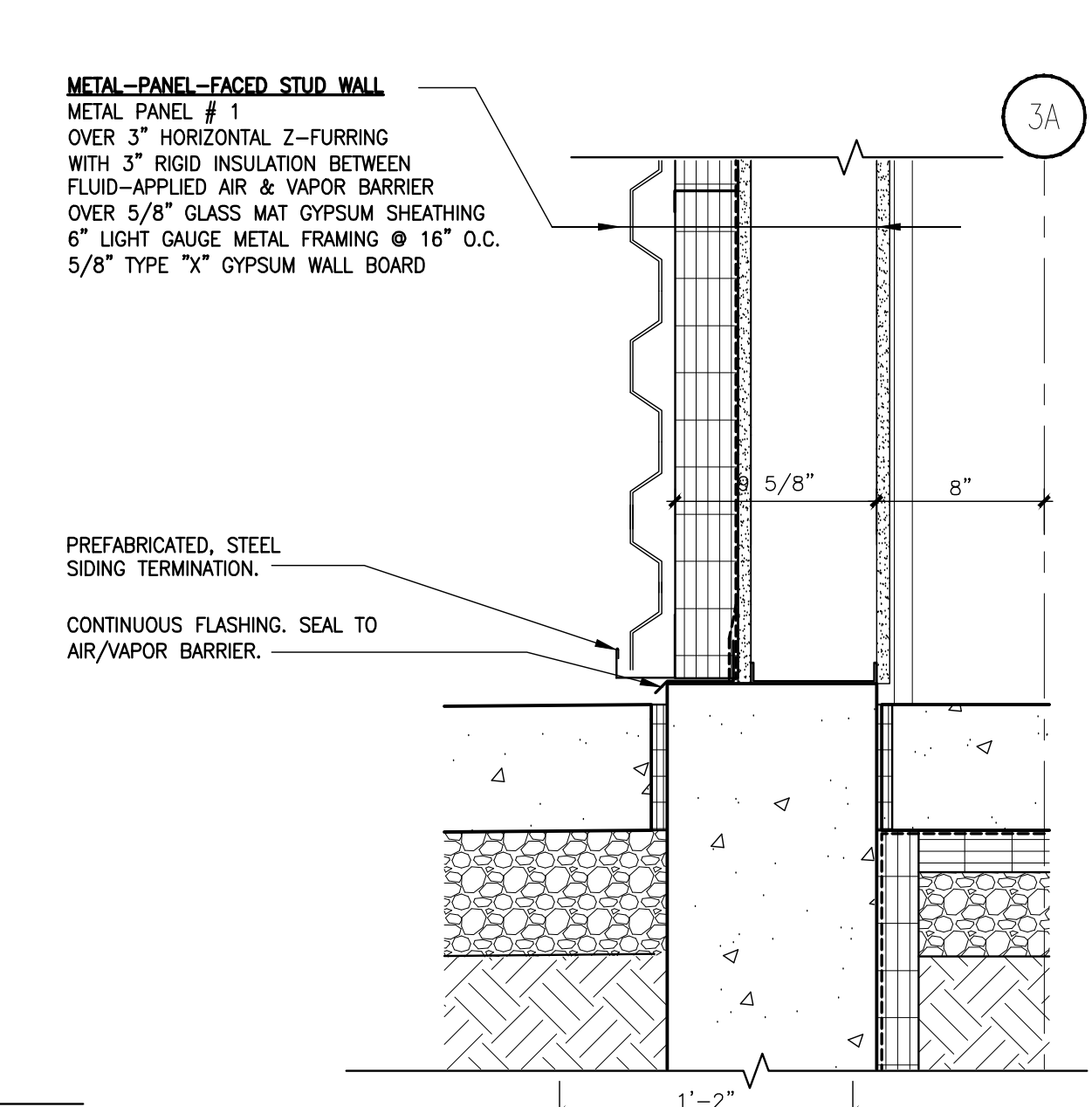
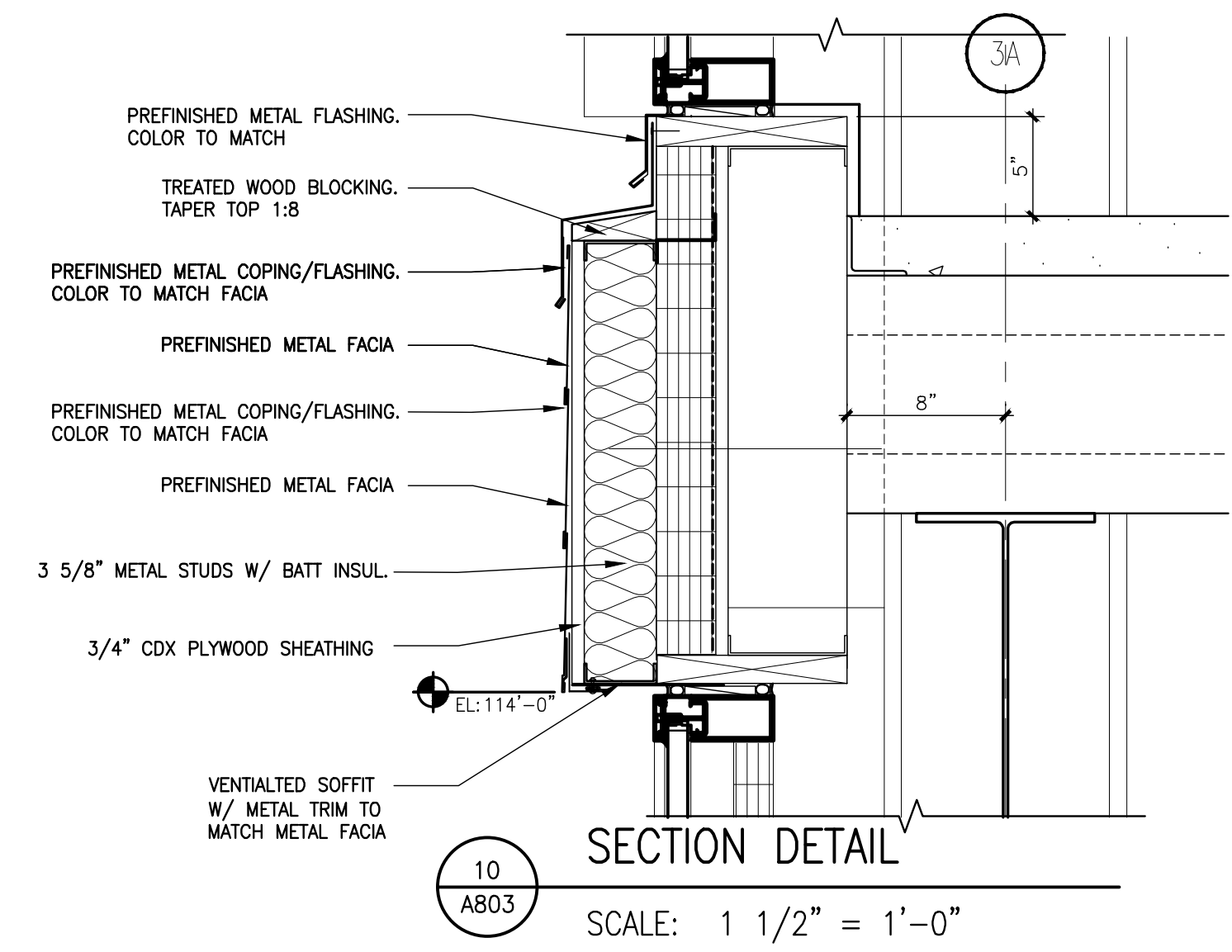
**ALLIANT ENERGY CENTER PAVILIONS  
BID # 313072**

1919 ALLIANT ENERGY CENTER WAY  
MADISON, WISCONSIN 53713

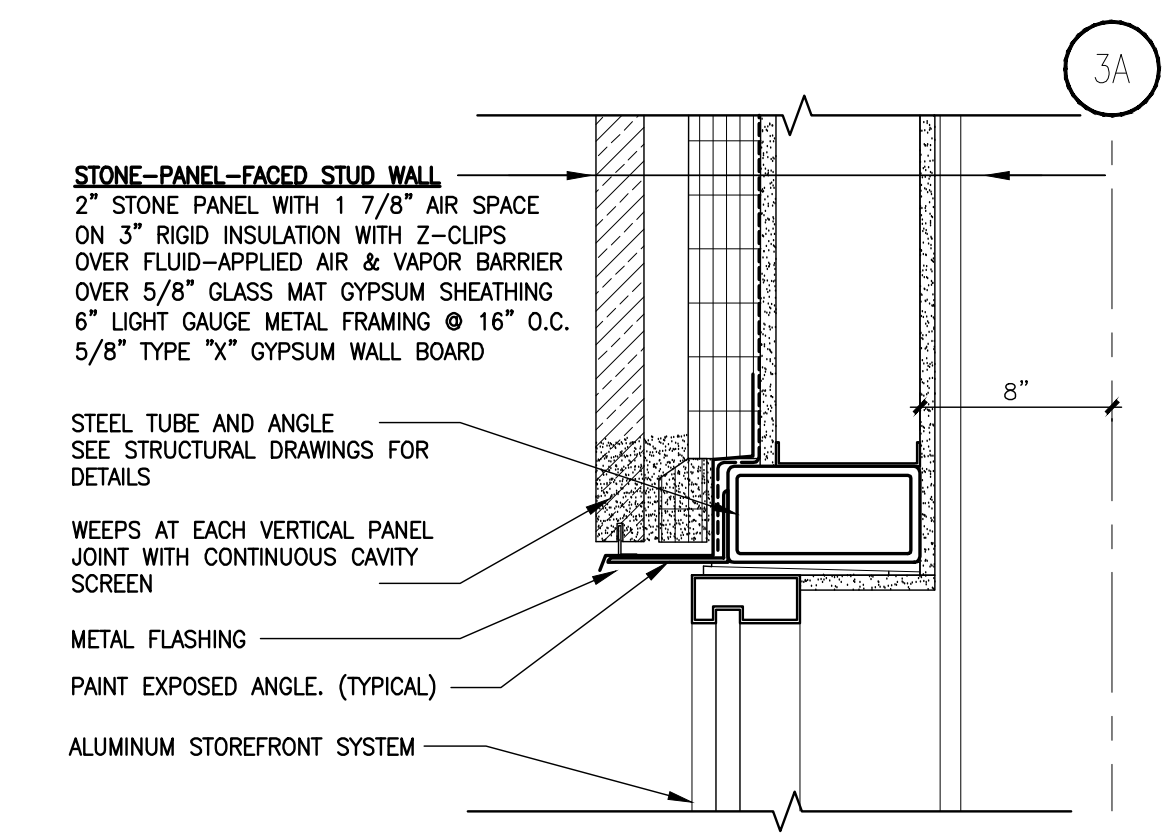
SHEET TITLE  
**EXTERIOR  
PLAN DETAILS**

SHEET NO.  
**A802**

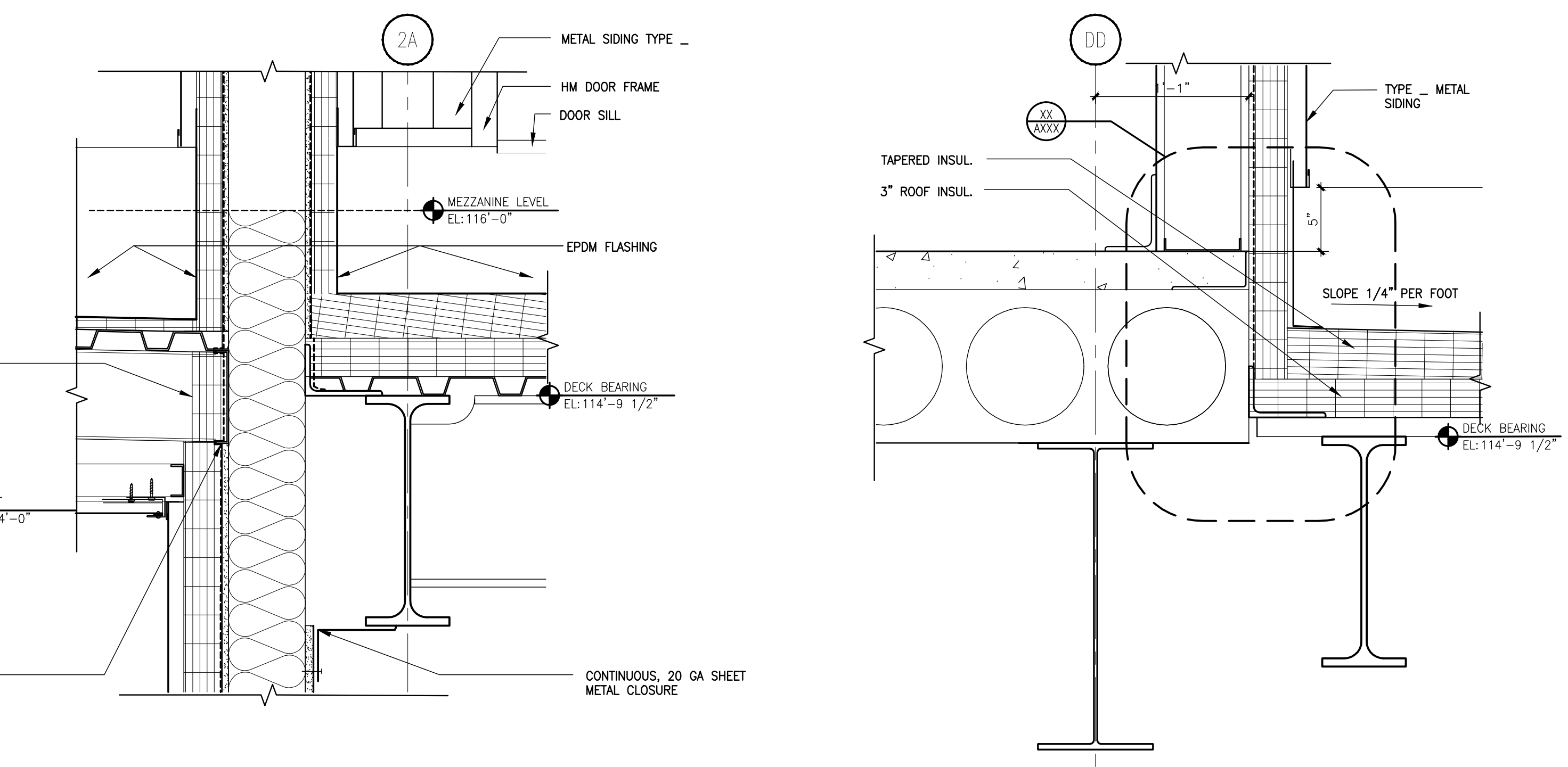
FILE: 2013027\_02-AB02.dwg  
DATE: 10/29/13  
DRAWN: CR  
CHECKED: RG  
DATE: 10/29/13  
PROJECT NO: 2013027\_02  
PROJECT TITLE: ALLIANT ENERGY CENTER PAVILIONS BID # 313072  
SHEET TITLE: EXTERIOR PLAN DETAILS  
SHEET NO: A802



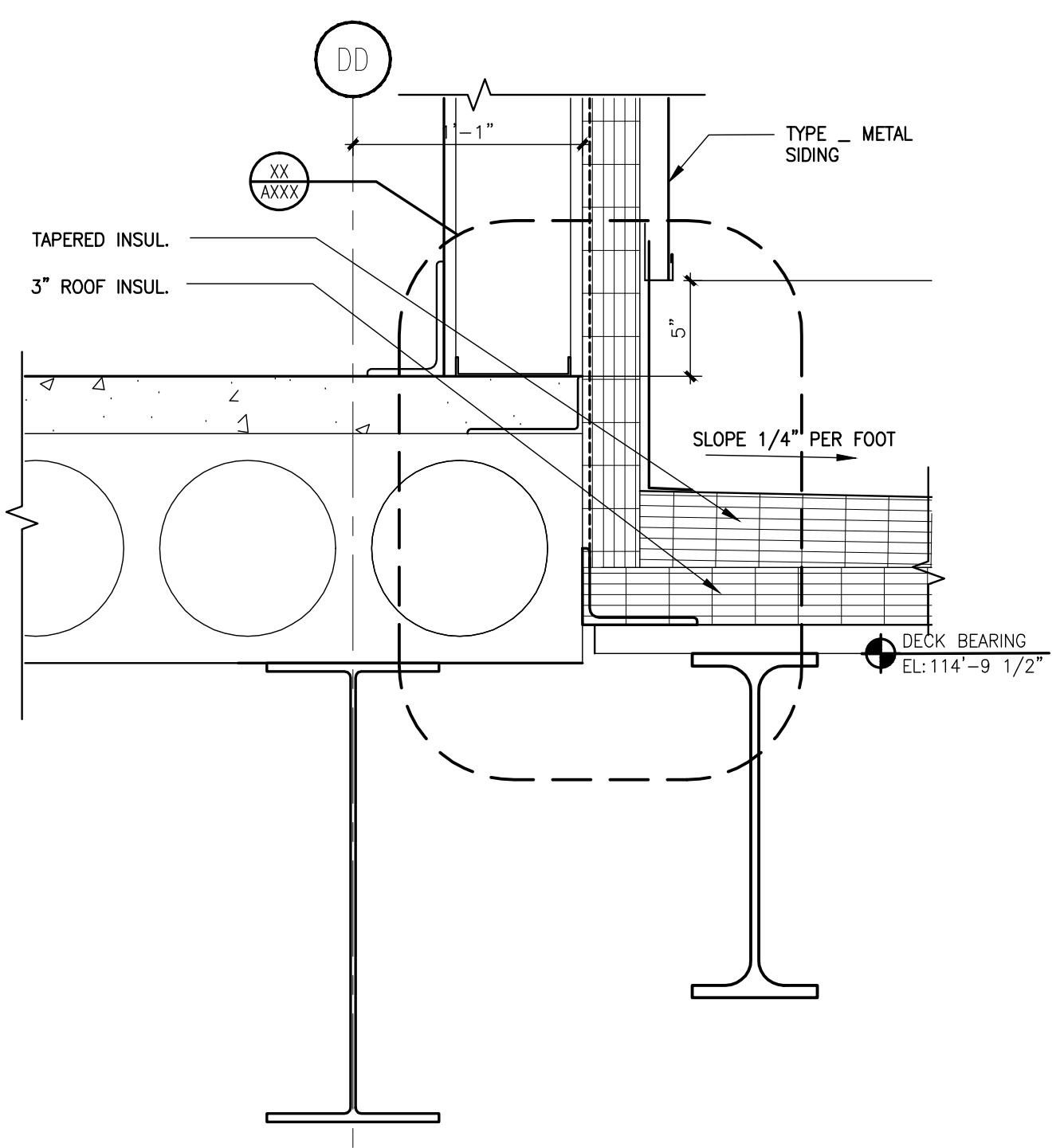
**12**  
AB03  
**SCUPPER ELVEATION DETAIL**  
SCALE: 1 1/2" = 1'-0"



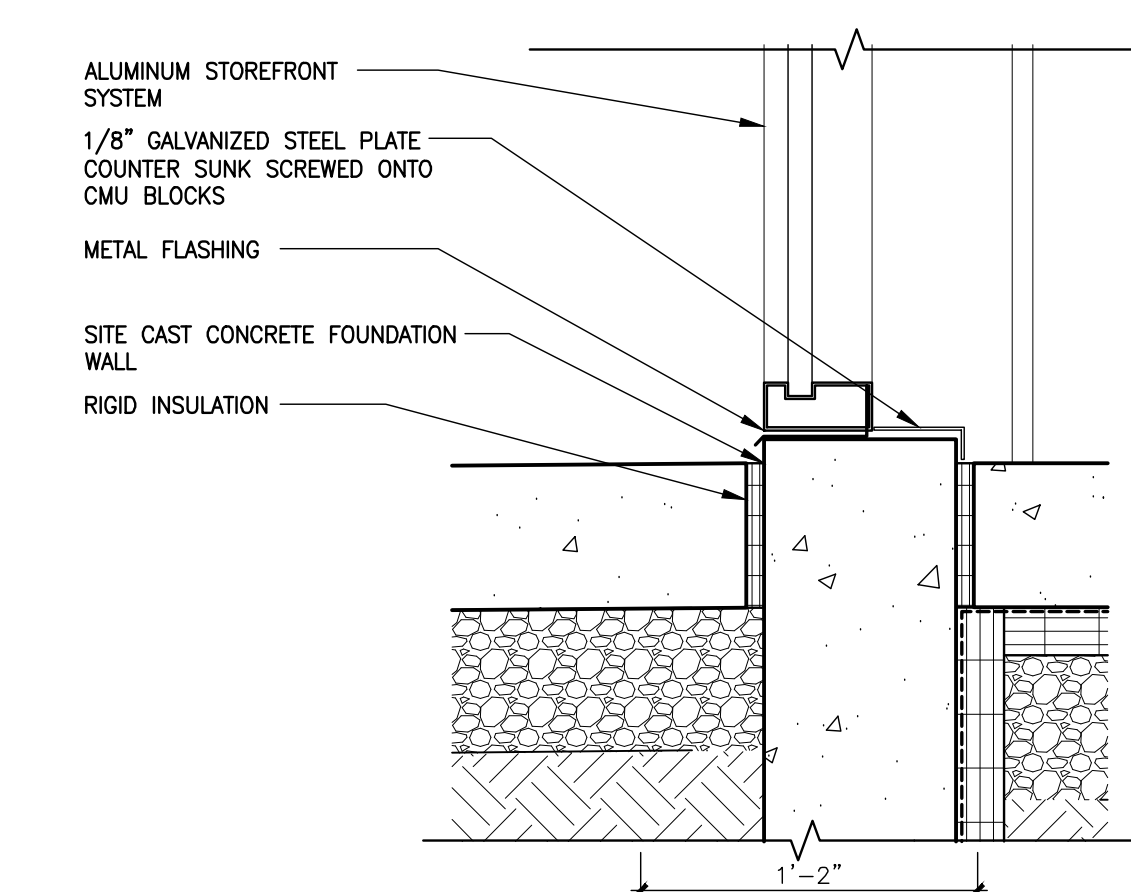
**6**  
AB03  
**SECTION DETAIL**  
SCALE: 1 1/2" = 1'-0"



**13**  
AB03  
**SECTION DETAIL/PARTIAL ELEVATION**  
SCALE: 1 1/2" = 1'-0"



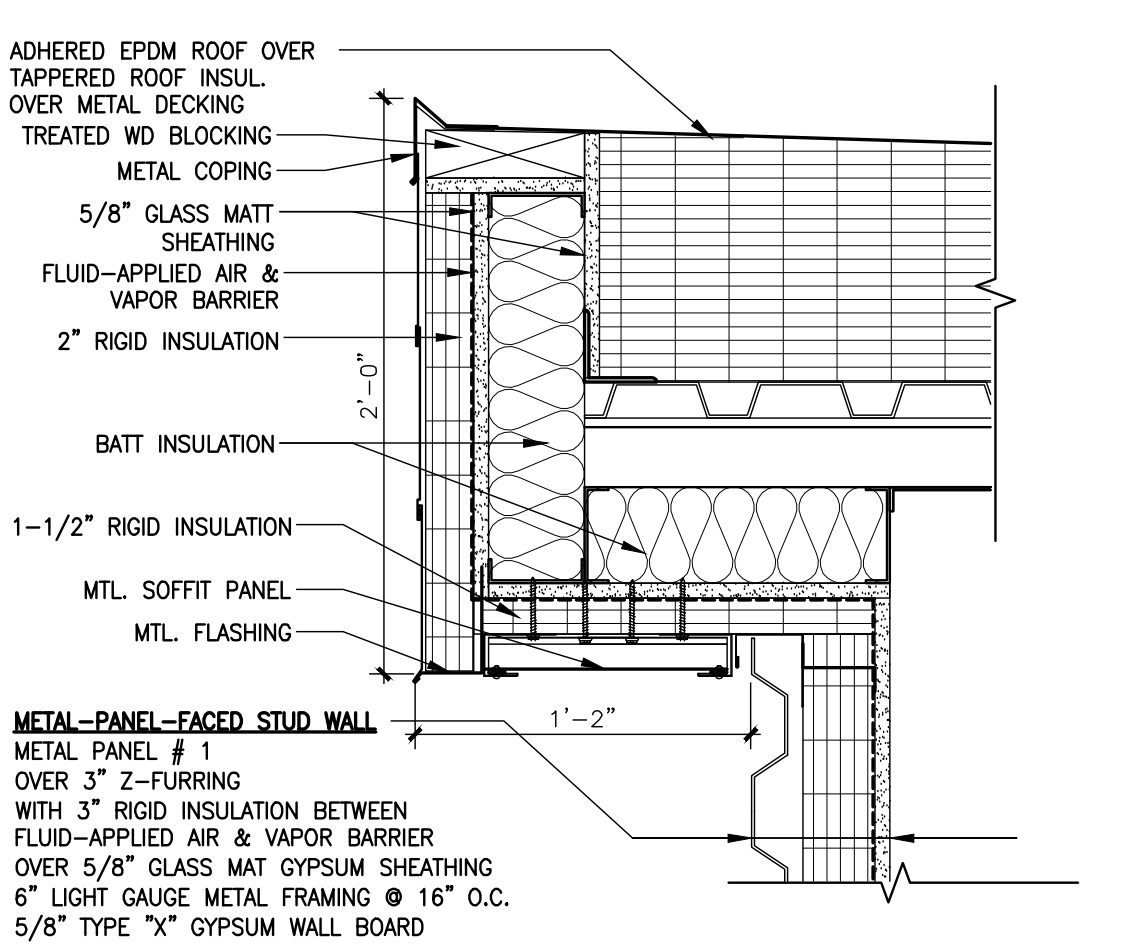
**11**  
AB03  
**SECTION DETAIL**  
SCALE: 1 1/2" = 1'-0"



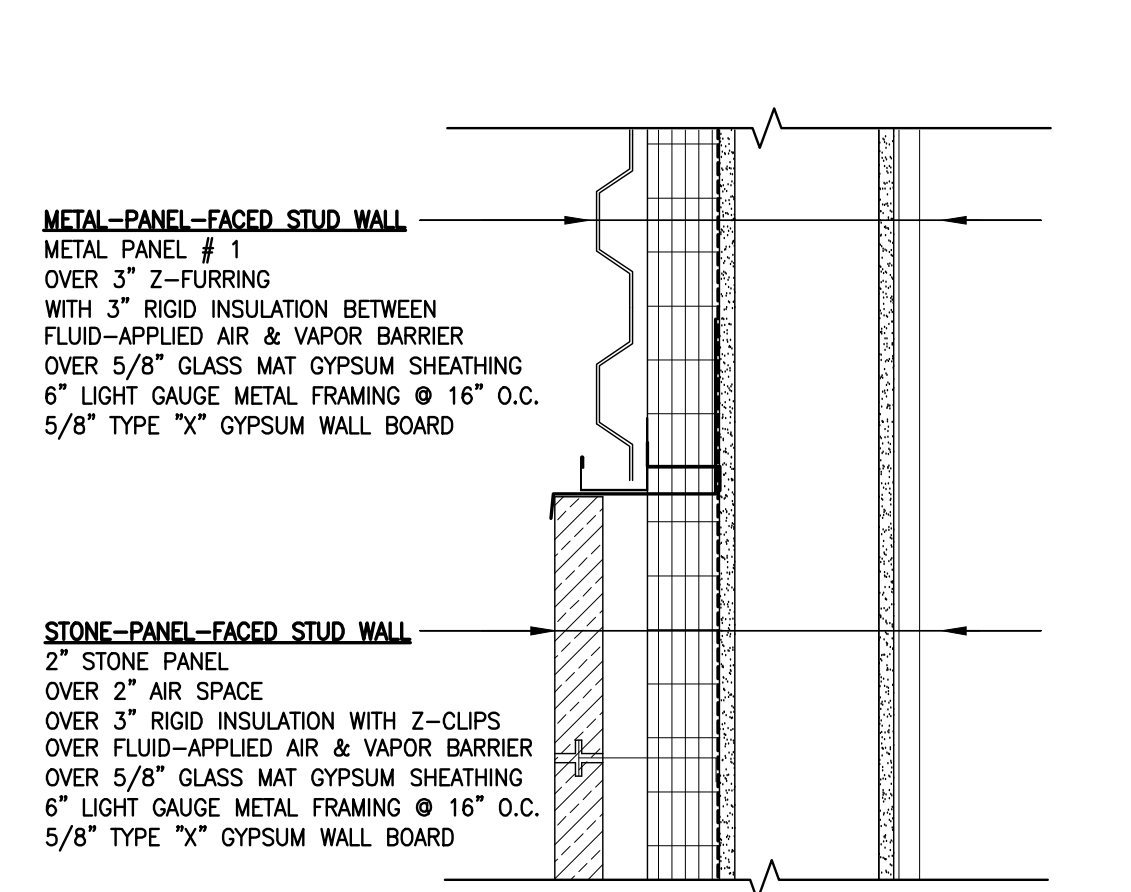
**9**  
AB03  
**SECTION DETAIL**  
SCALE: 1 1/2" = 1'-0"



**7**  
AB03  
**SECTION DETAIL**  
SCALE: 1 1/2" = 1'-0"



**3**  
AB03  
**SECTION DETAIL**  
SCALE: 1 1/2" = 1'-0"



**4**  
AB03  
**SECTION DETAIL**  
SCALE: 1 1/2" = 1'-0"

DRAWING SET	CD
COPYRIGHT	2013
FILE NAME	2013027_02-AB03.DWG
REVISIONS	

DRAWN	CR
CHECKED	RG
DATE	10-29-13
PROJECT NO.	2013027_02
PROJECT TITLE	

**ALLIANT ENERGY CENTER PAVILIONS  
BID # 313072**

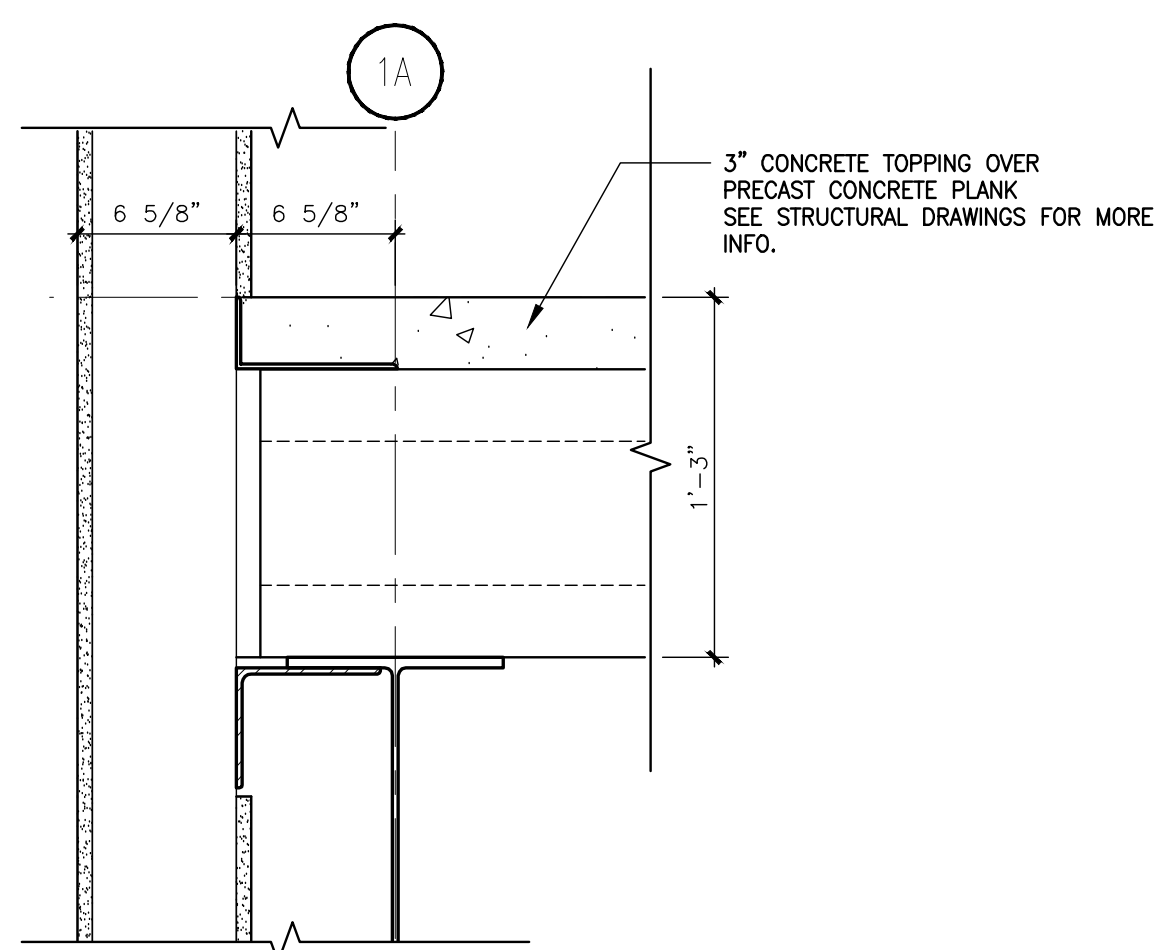
1919 ALLIANT ENERGY CENTER WAY  
MADISON, WISCONSIN 53713

SHEET TITLE

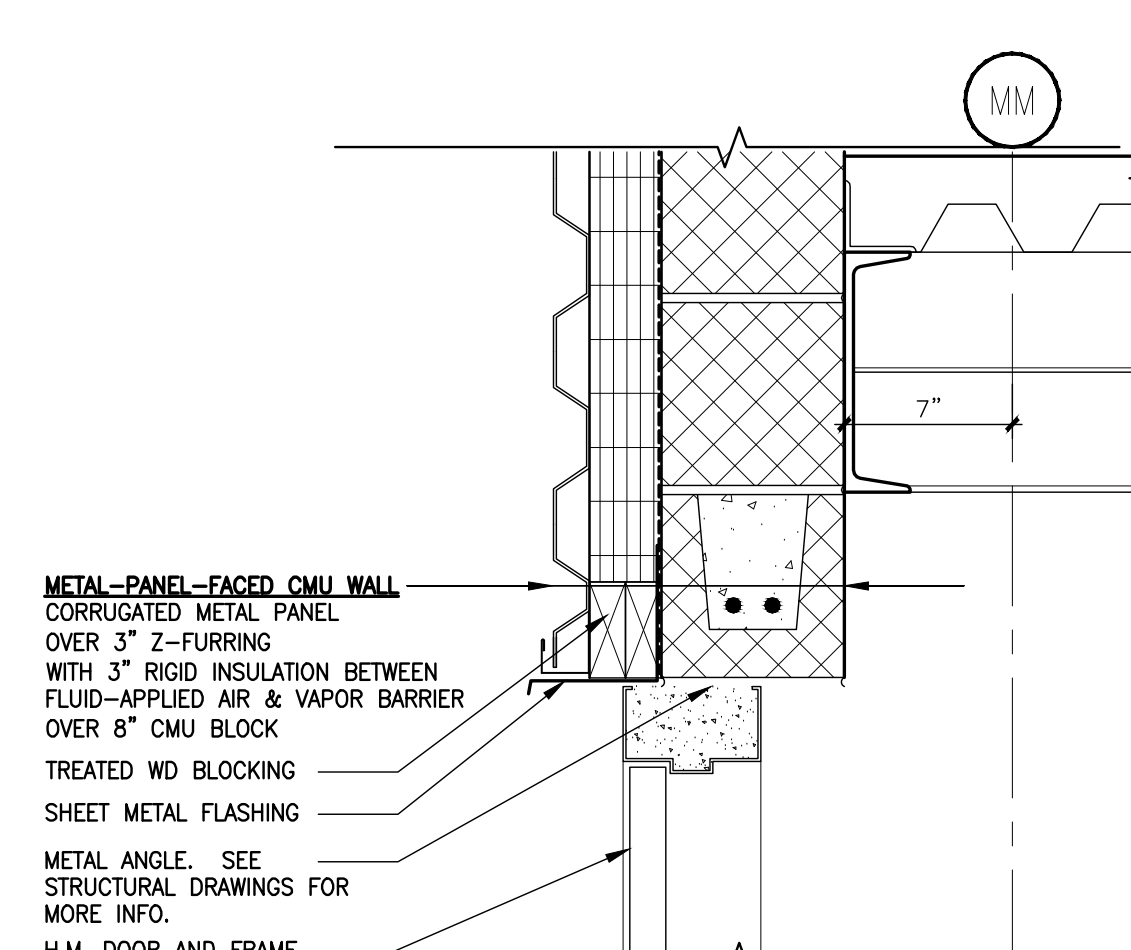
**EXTERIOR DETAILS**

SHEET NO.  
**A803**

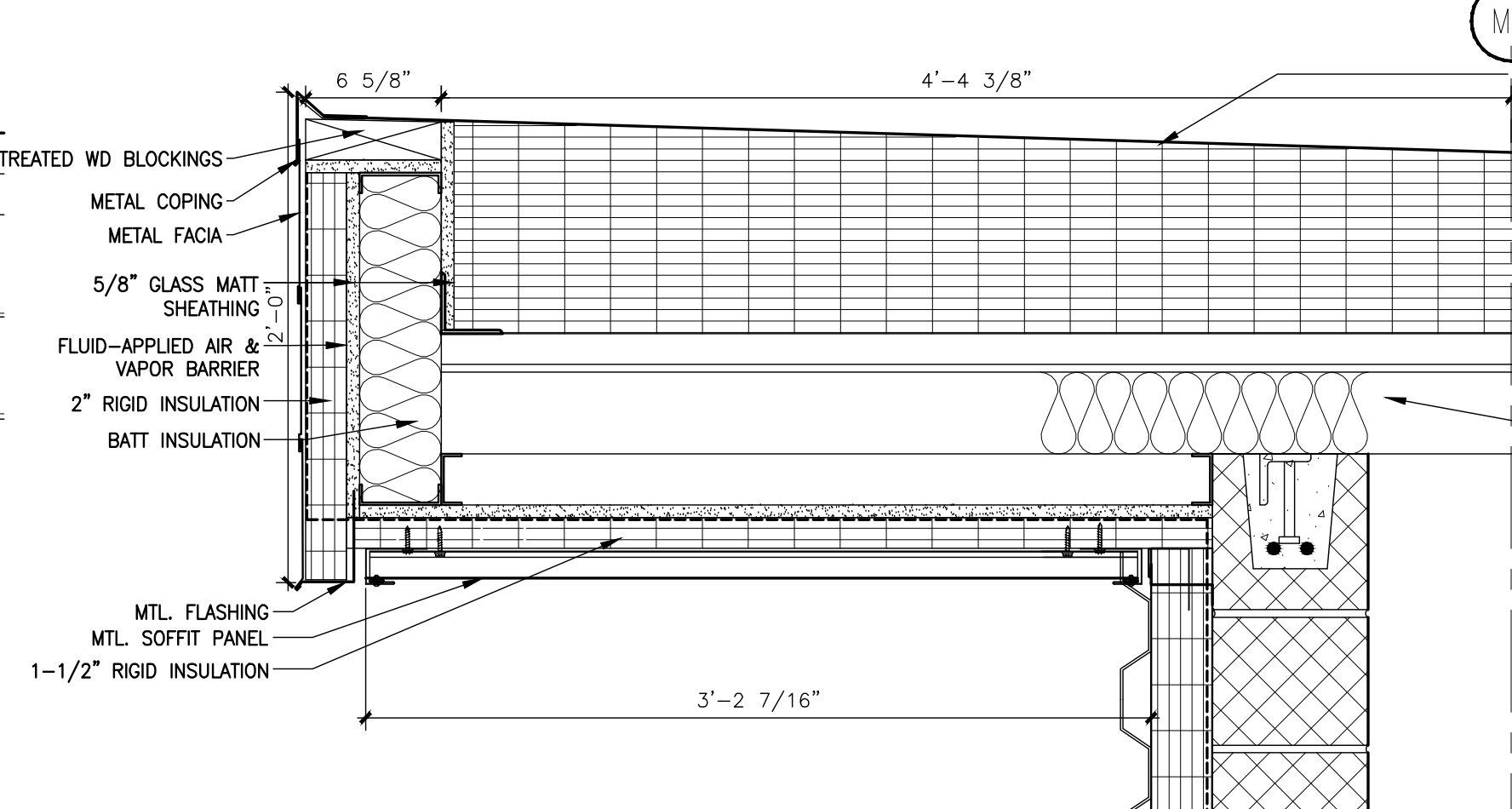
CARLOS RUIZ 2009.6.30 2:27 PM K:\\_201302013027 - ALLIANT ENERGY CENTER LIFESTOCK & EXHIBITION HALL DRAWINGS\2013027\_02-AB03.DWG



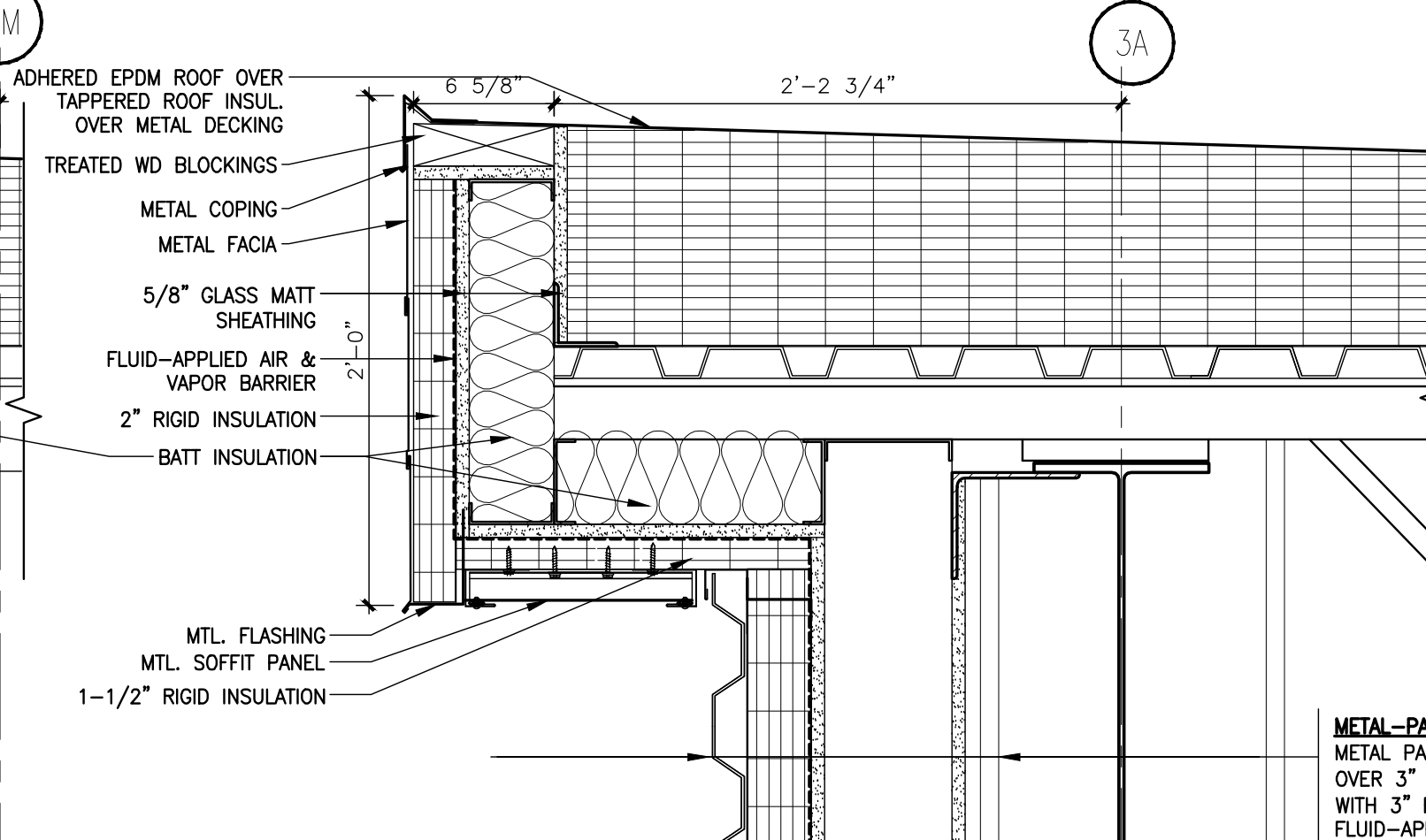
12 SECTION DETAIL  
SCALE: 1 1/2" = 1'0"



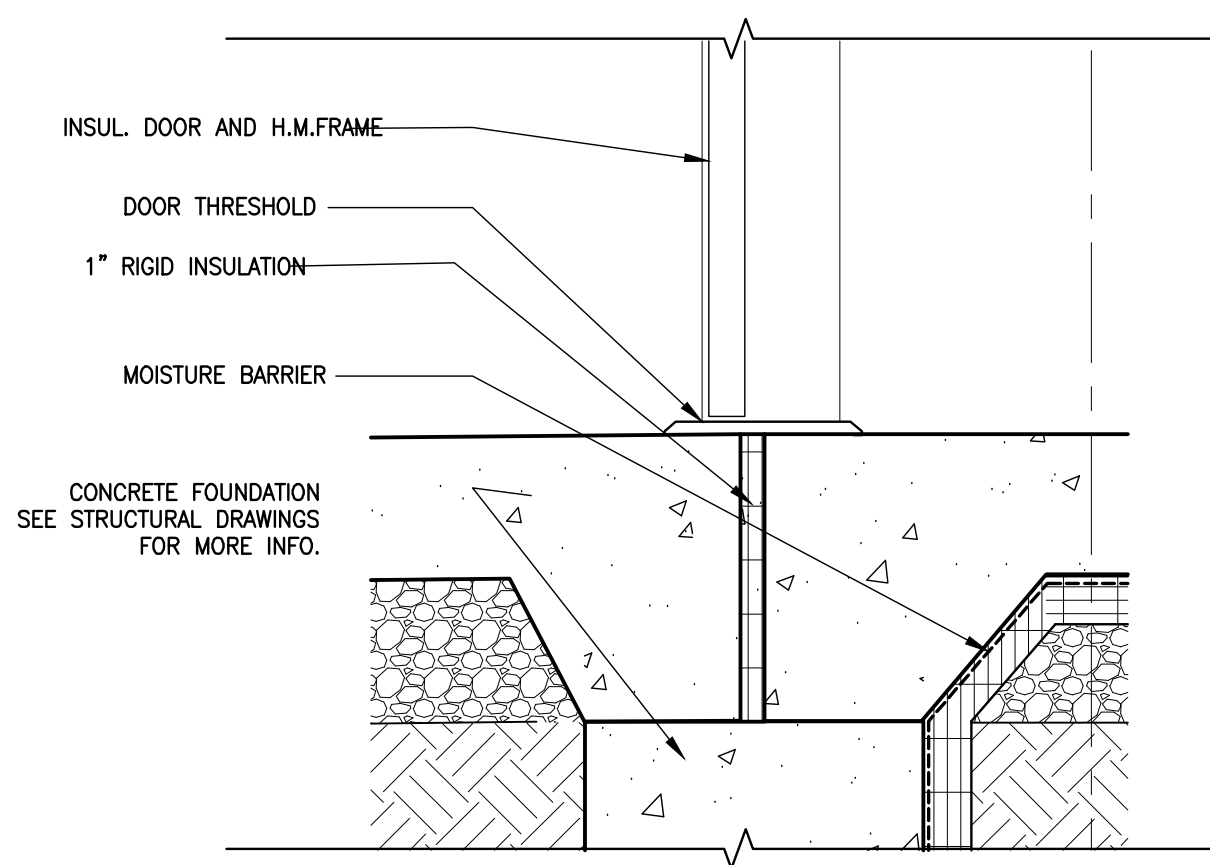
8 HEAD DETAIL  
SCALE: 1 1/2" = 1'0"



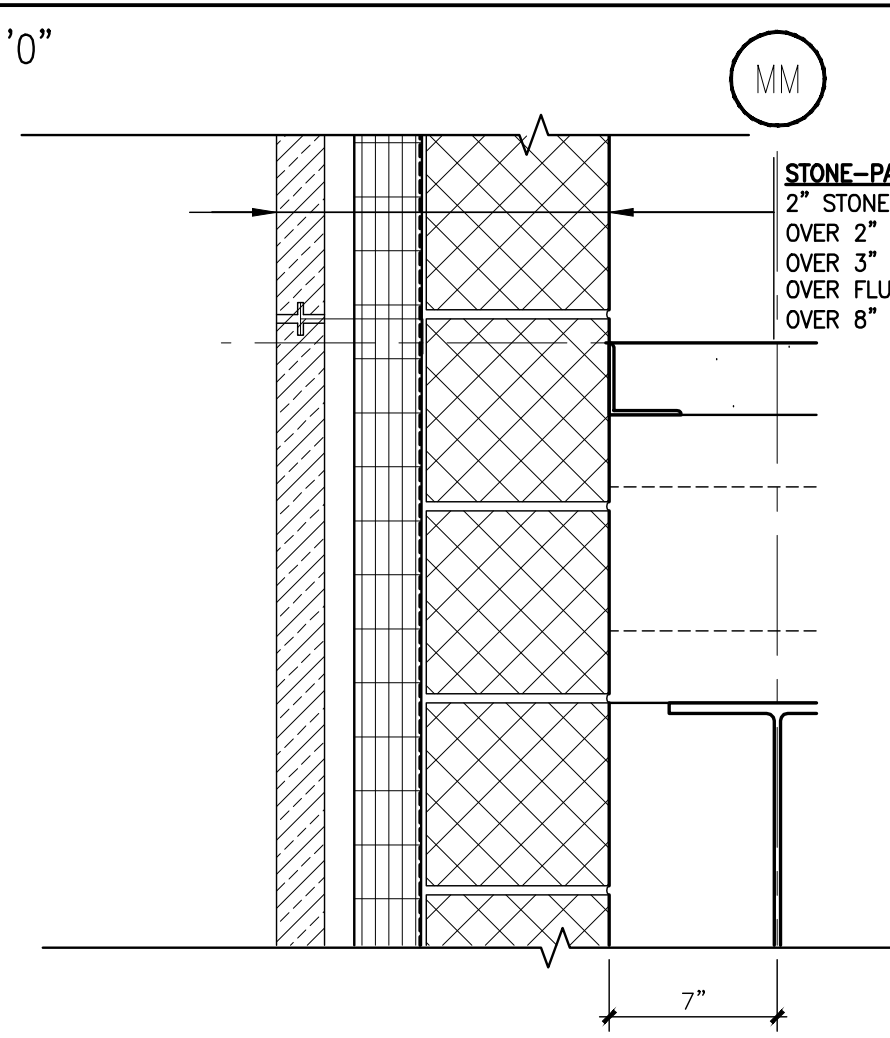
5 SECTION DETAIL  
SCALE: 1 1/2" = 1'0"



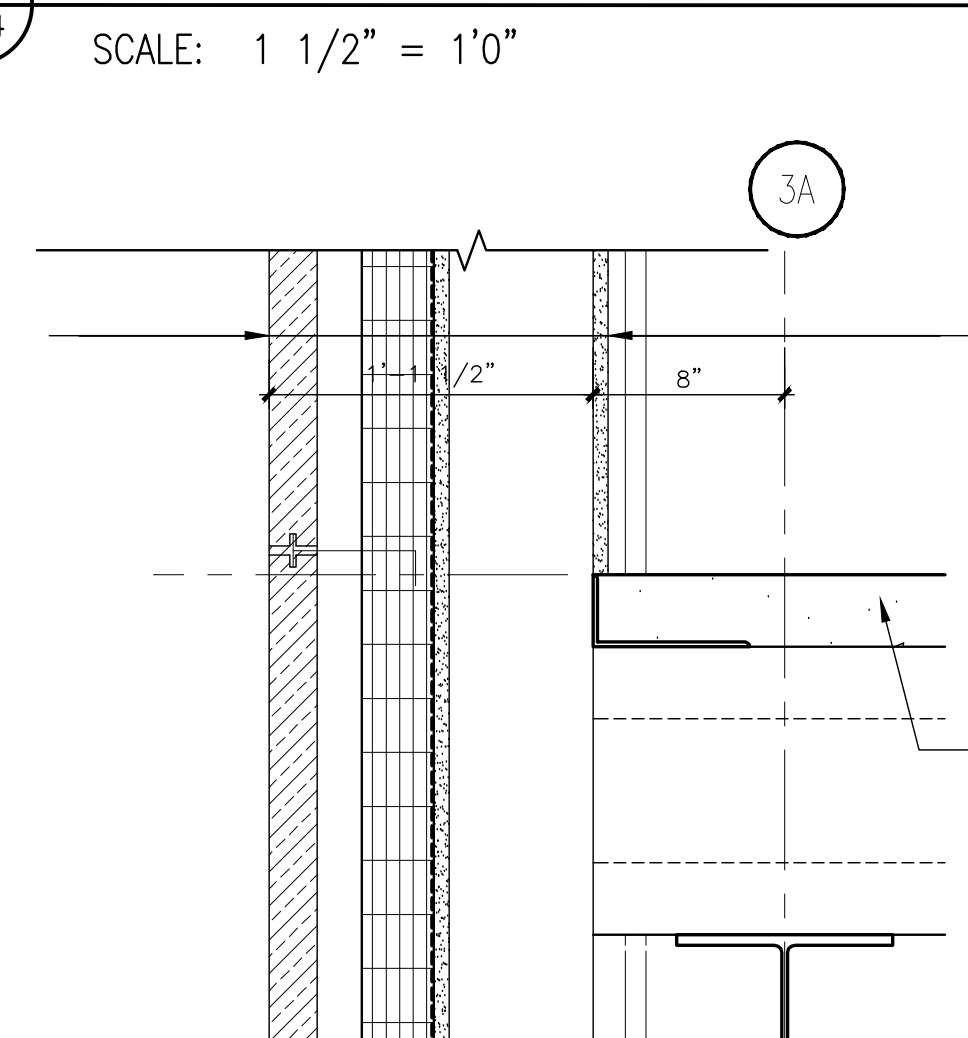
3A SECTION DETAIL  
SCALE: 1 1/2" = 1'0"



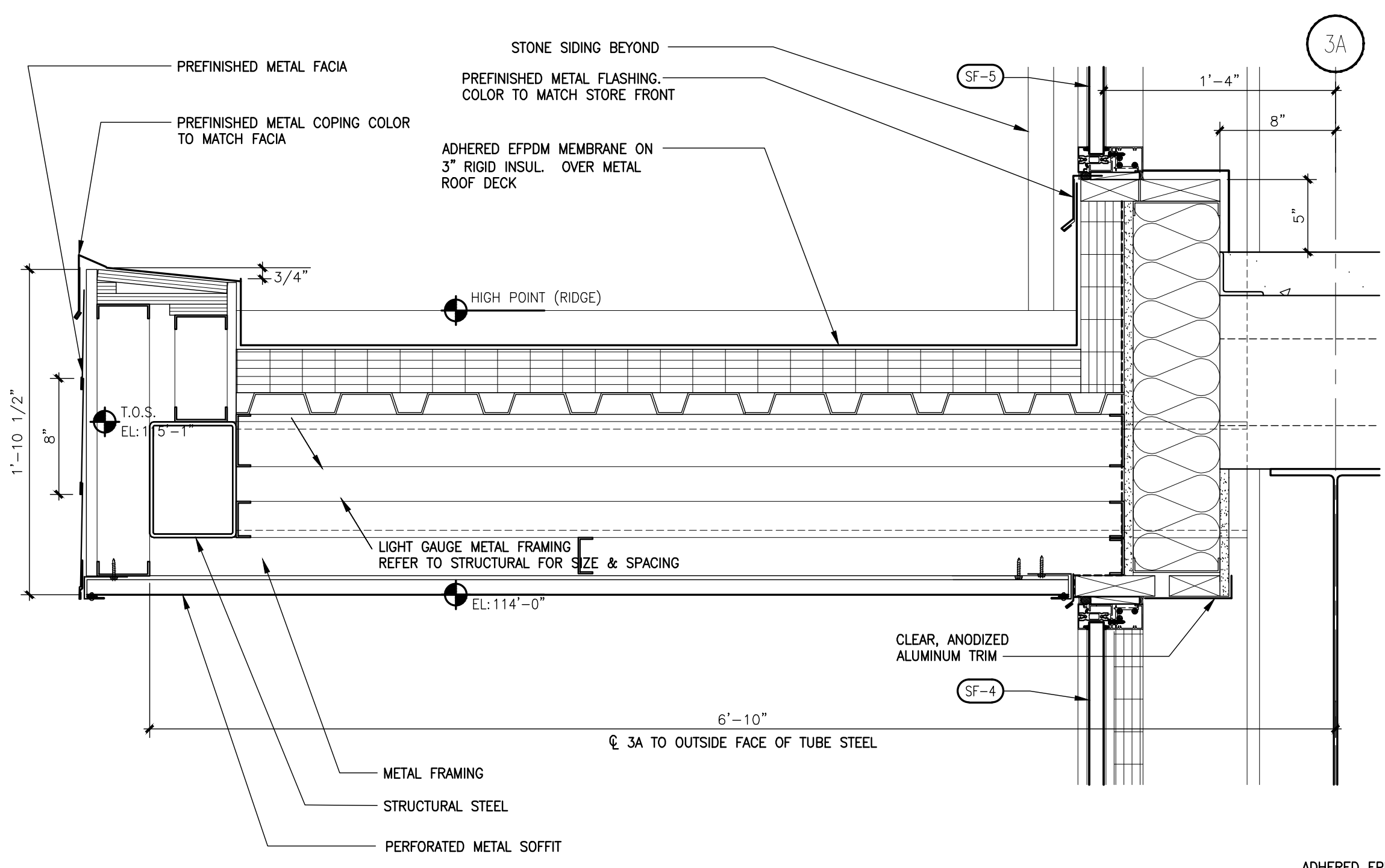
9 SILL DETAIL  
SCALE: 1 1/2" = 1'0"



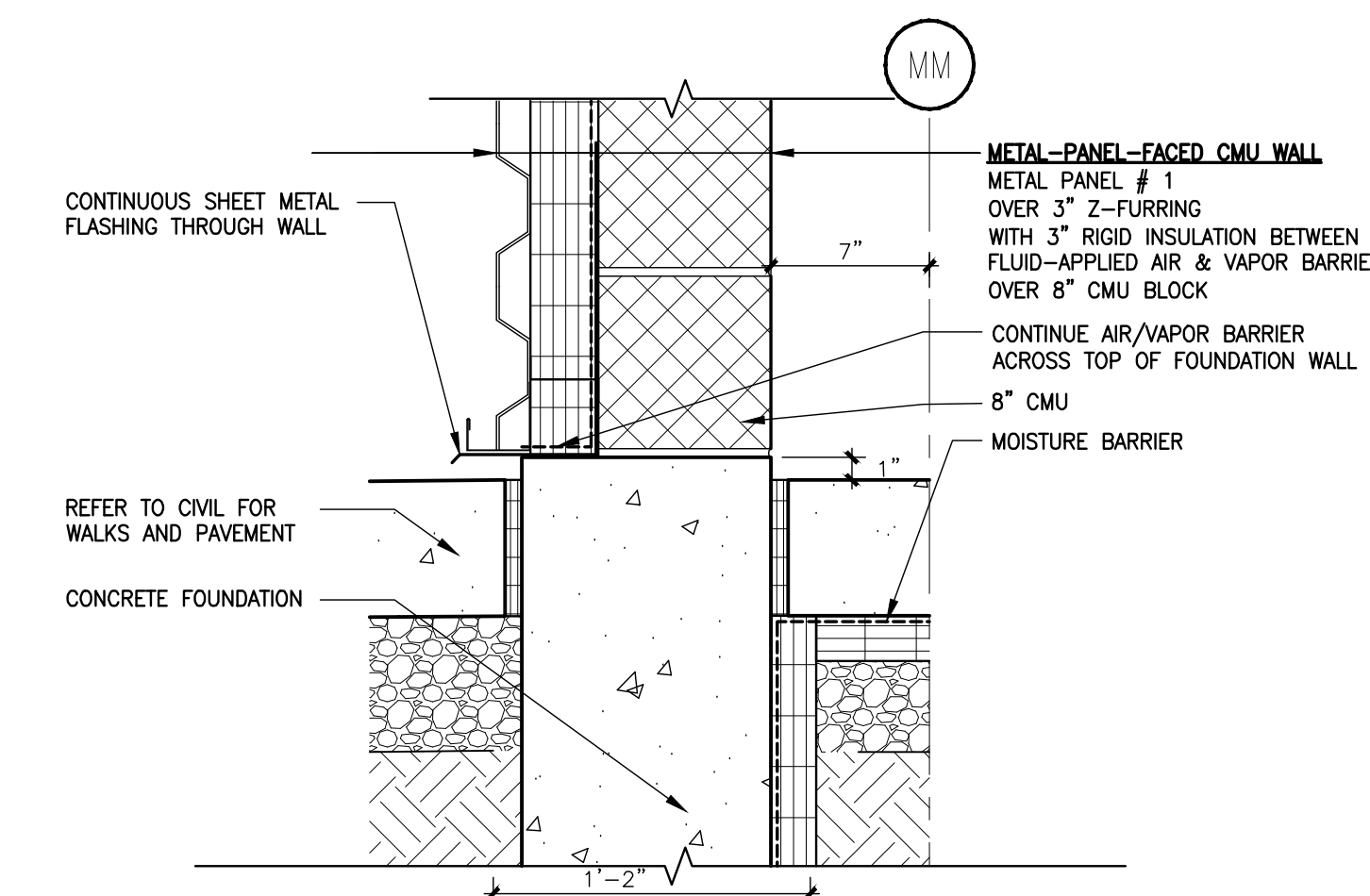
6 SECTION DETAIL  
SCALE: 1 1/2" = 1'0"



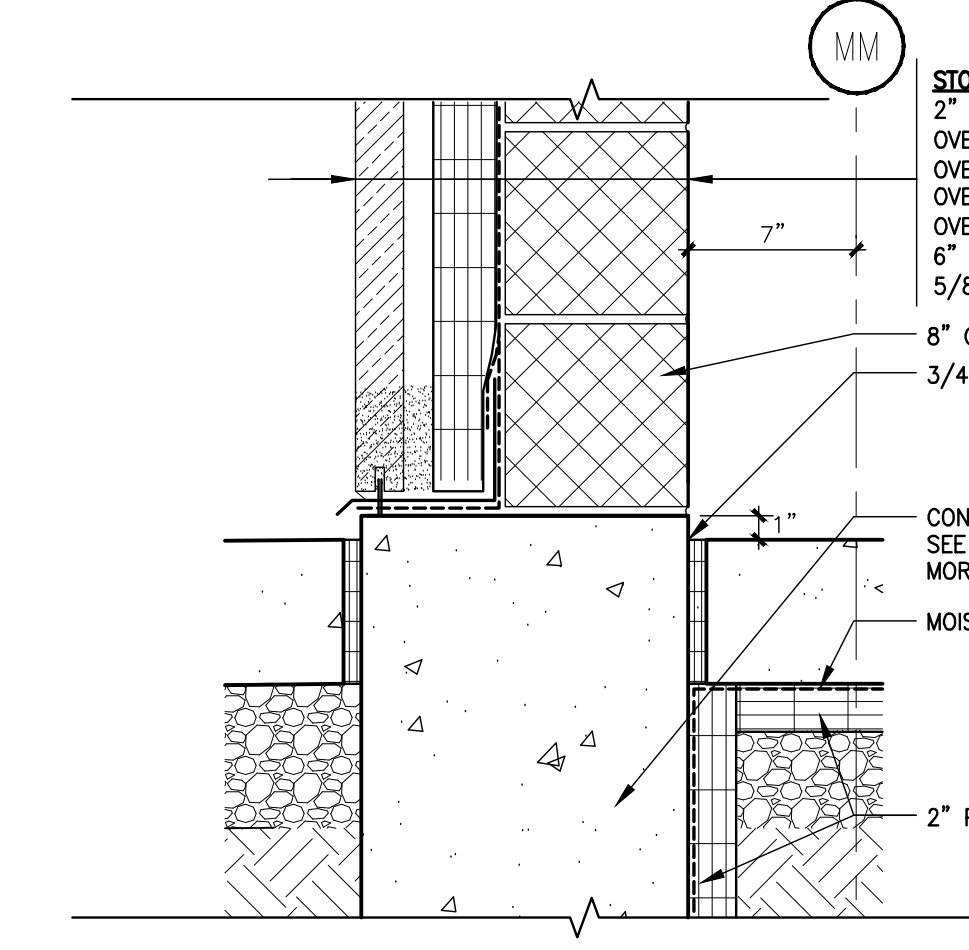
2 SECTION DETAIL  
SCALE: 1 1/2" = 1'0"



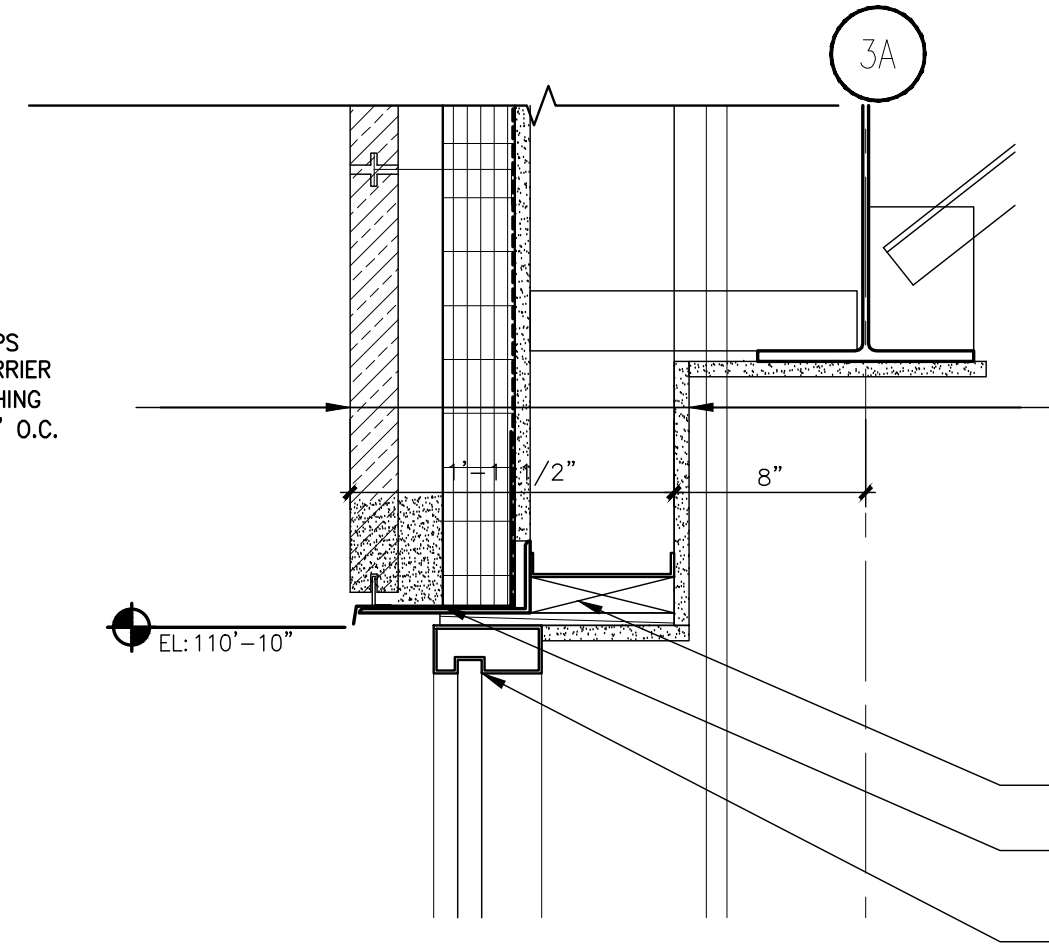
13 CANOPY SECTION-PREFUNCTION  
SCALE: 1 1/2" = 1'0"



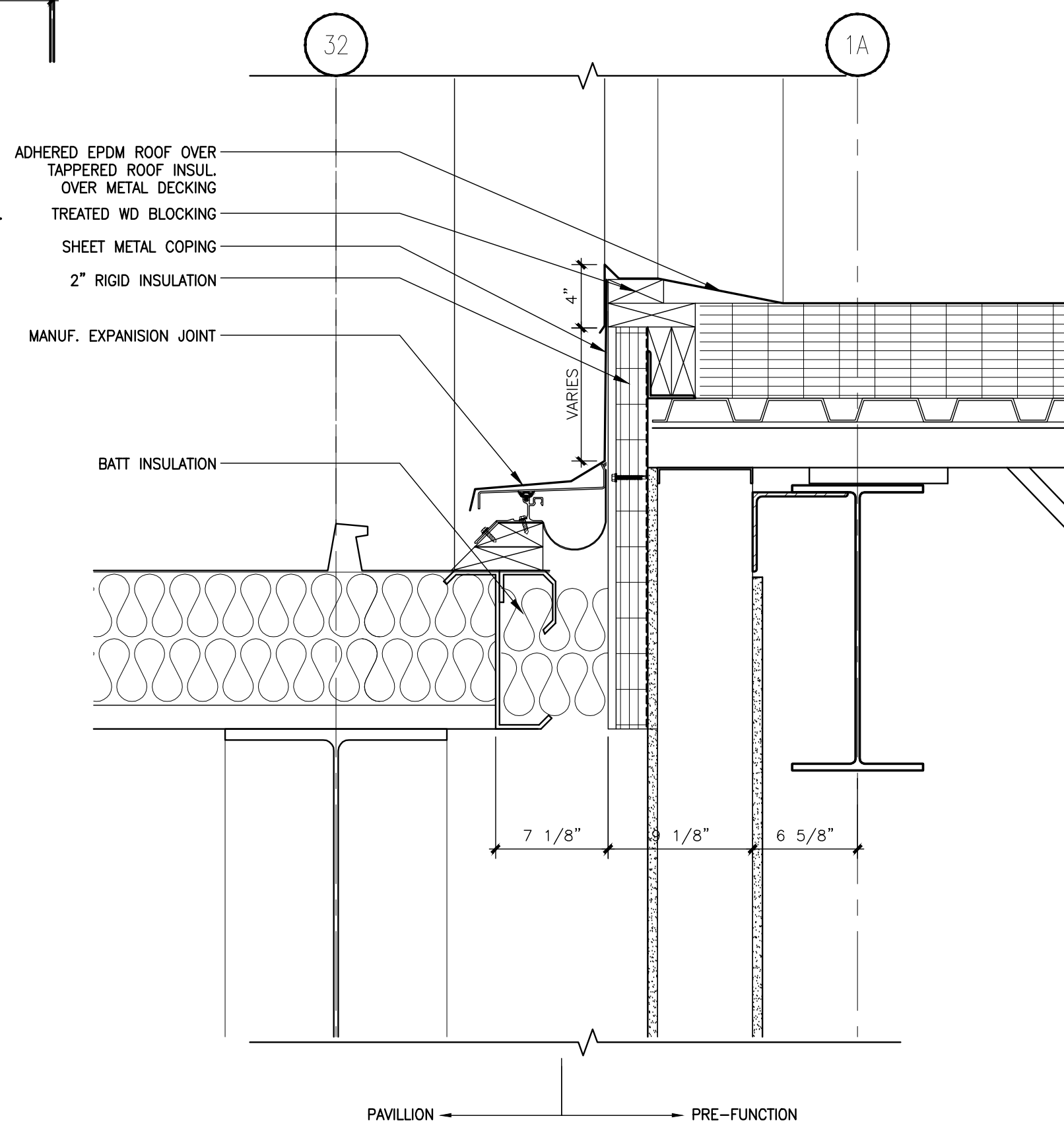
10 SECTION DETAIL  
SCALE: 1 1/2" = 1'0"



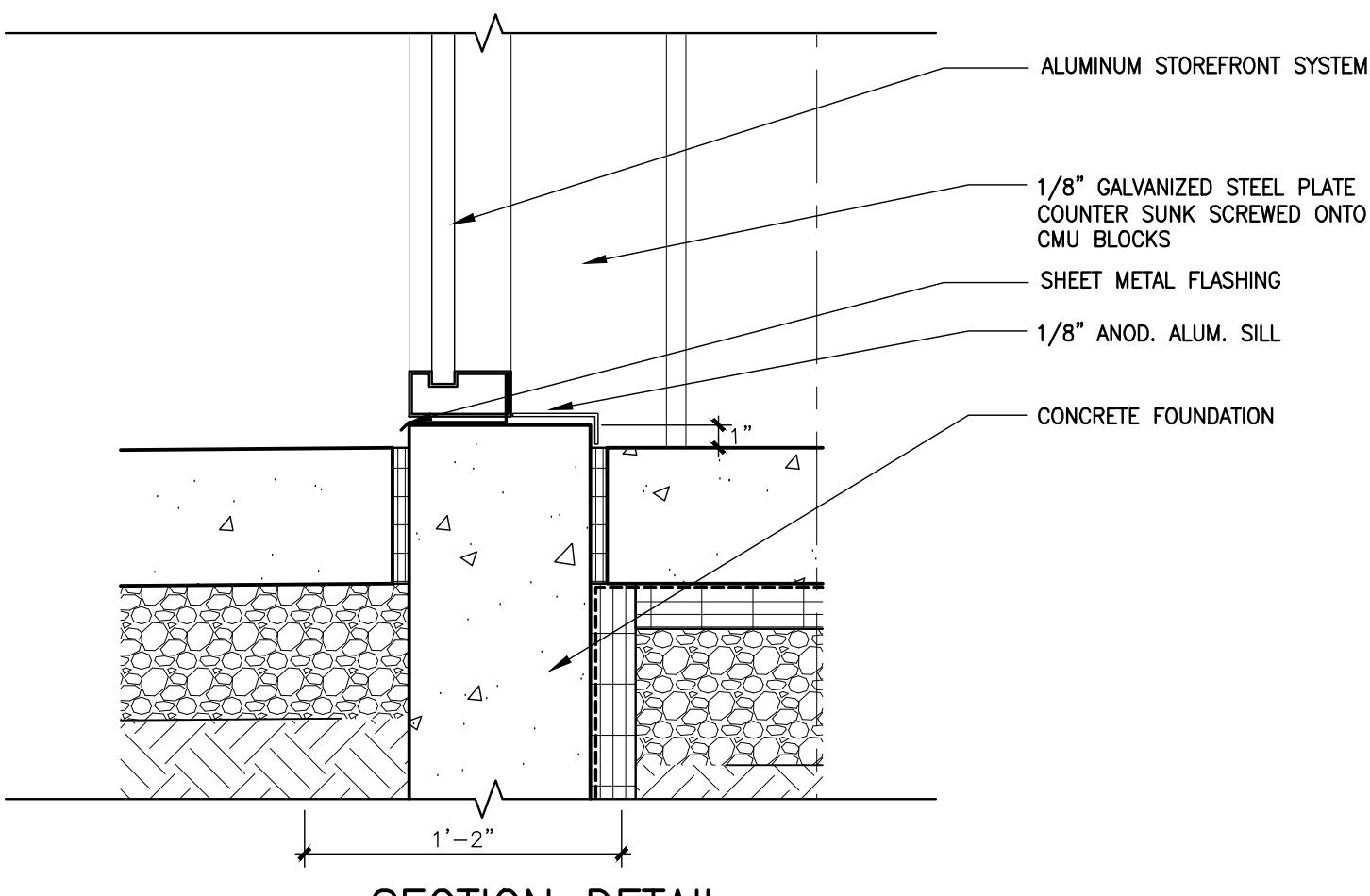
7 SECTION DETAIL  
SCALE: 1 1/2" = 1'0"



3 SECTION DETAIL  
SCALE: 1 1/2" = 1'0"



11 SECTION DETAIL-ROOF EXPANSION JOINT  
SCALE: 1 1/2" = 1'0"



4 SECTION DETAIL  
SCALE: 1 1/2" = 1'0"

DRAWING SET	CD
COPYRIGHT	2013
FILE NAME	2013027_02-A804.DWG
REVISIONS	

DRAWN	CR
CHECKED	RG
DATE	10-29-13
PROJECT NO.	2013027_02
PROJECT TITLE	

ALLIANT ENERGY  
CENTER PAVILIONS  
BID # 313072

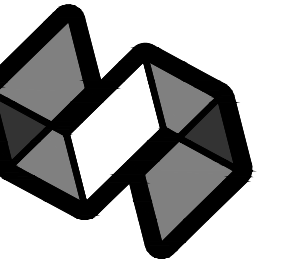
1919 ALLIANT ENERGY CENTER WAY  
MADISON, WISCONSIN 53713

SHEET TITLE

EXTERIOR DETAILS

SHEET NO.  
**A804**

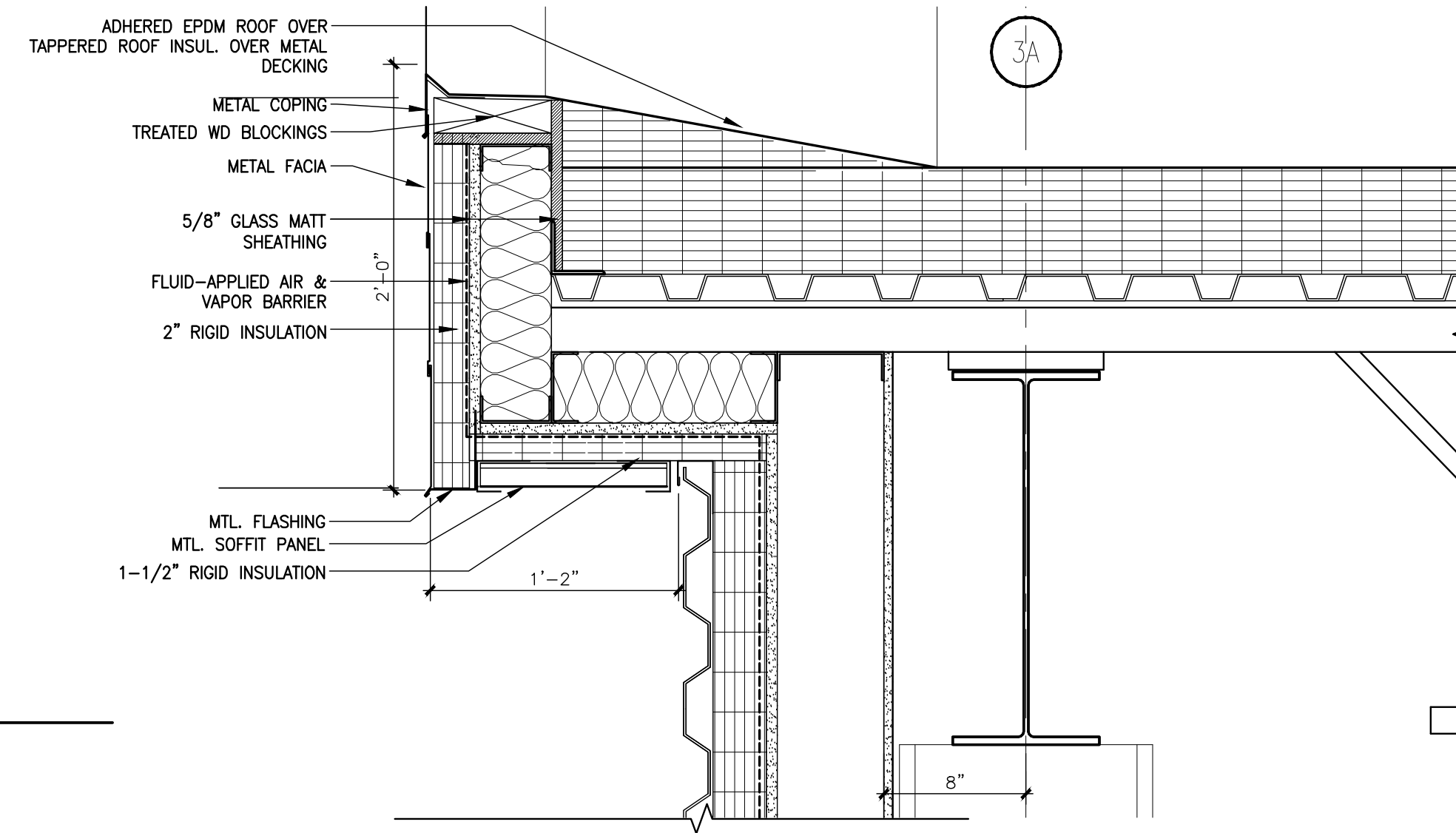
CARLOS RUIZ 2009-6-30 2:27 PM K:\\_2013027\_02-ALLIANT ENERGY CENTER - LIVESTOCK AND EXHIBITION HALL DRAWINGS\2013027\_02-A804.DWG



STRANG

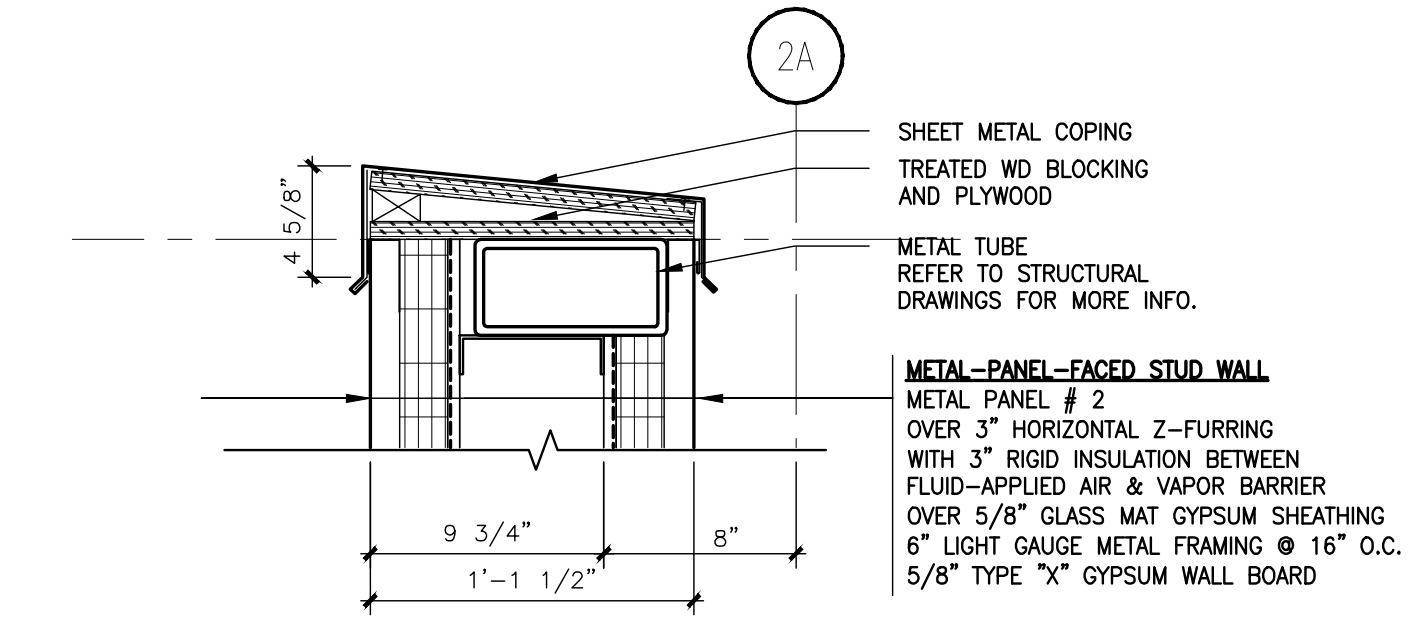
ARCHITECTURE  
ENGINEERING  
INTERIOR DESIGN

STRANG INC.  
8411 MINERAL POINT ROAD  
MADISON, WI 53705-4395  
T/ 608 276 9200  
F/ 608 276 9204

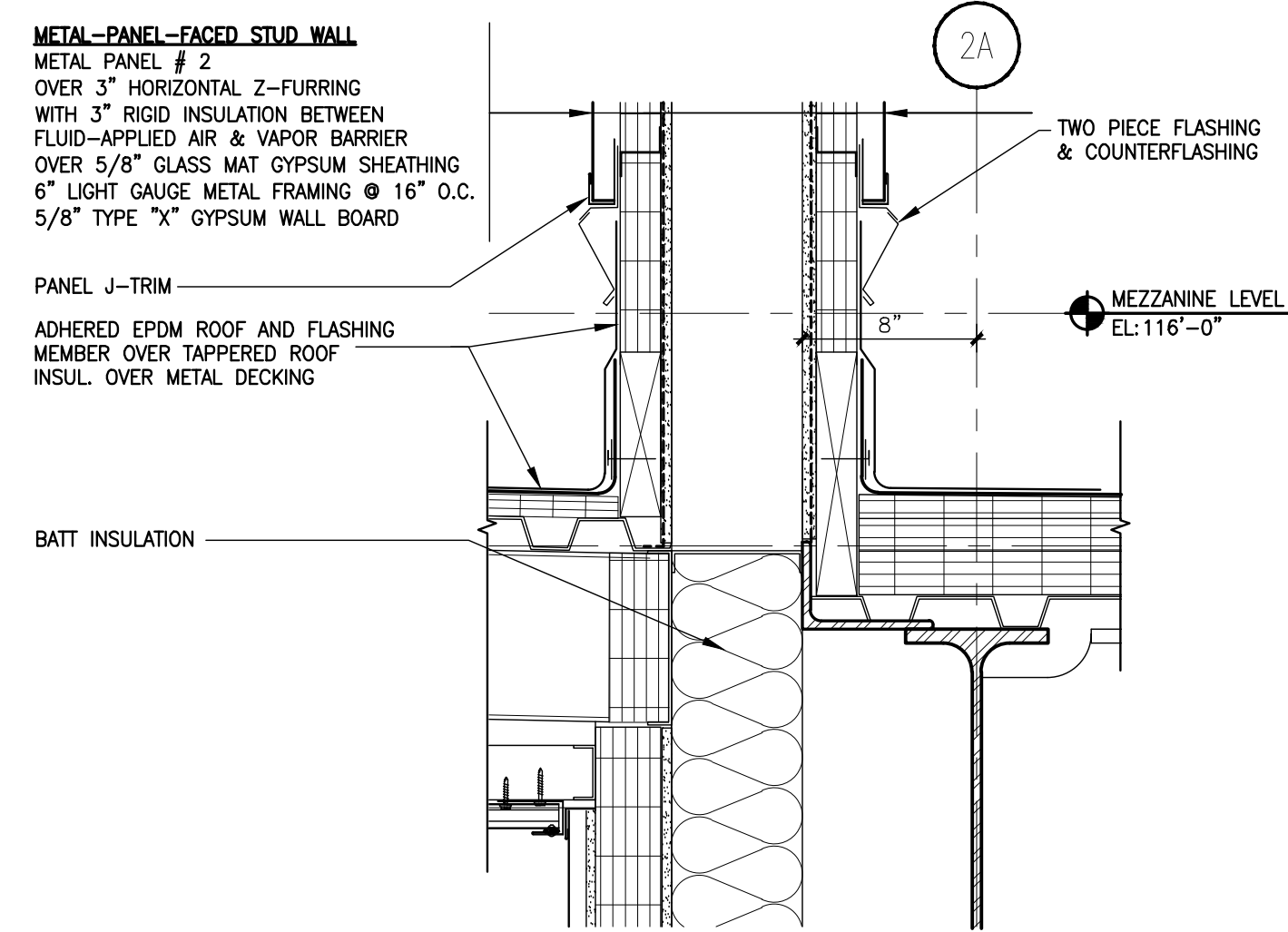


11 NOT USED  
AB05 SCALE: - - -

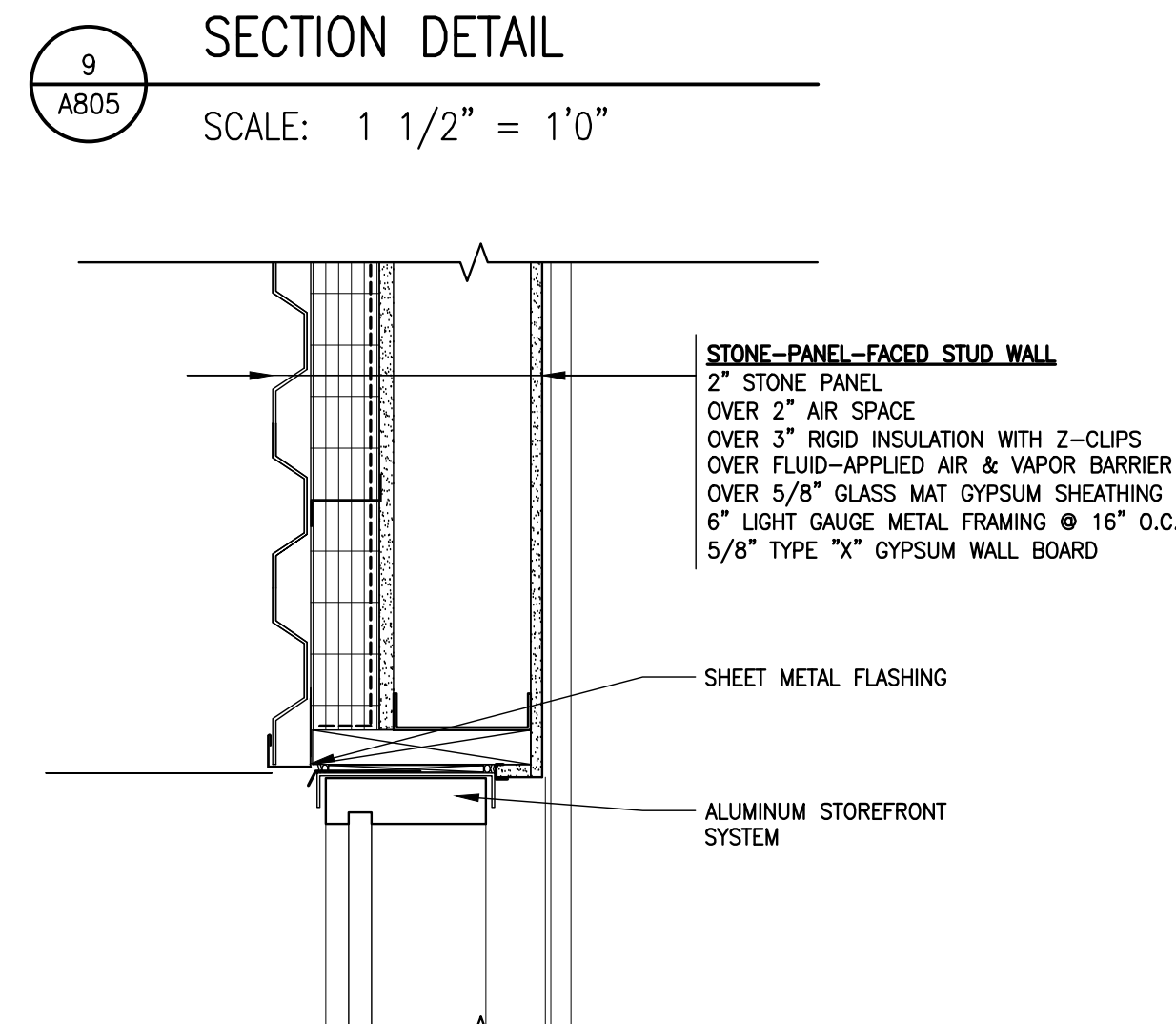
5 NOT USED  
AB05 SCALE: - - -



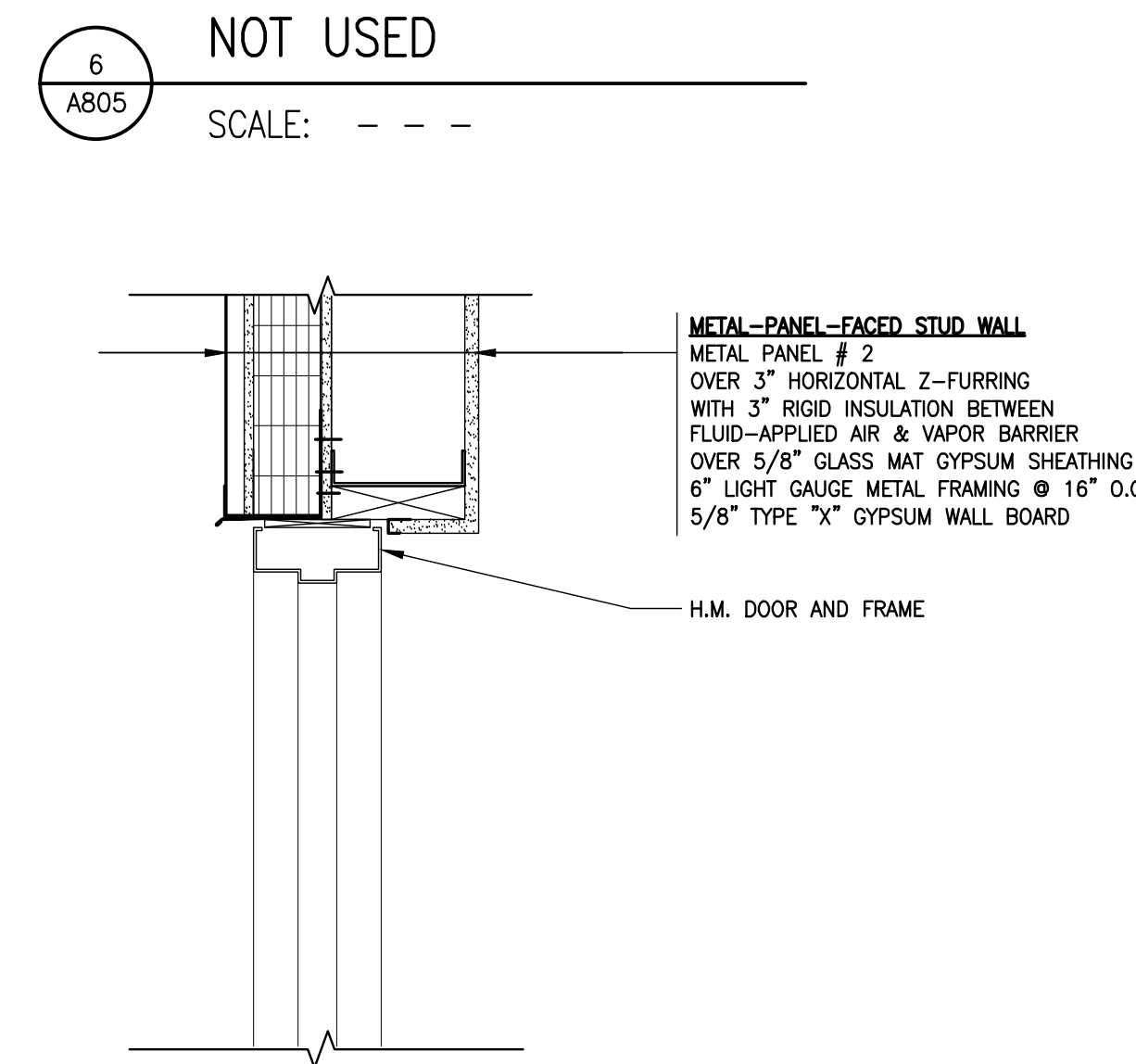
1 SECTION DETAIL  
AB05 SCALE: 1 1/2" = 1'0"



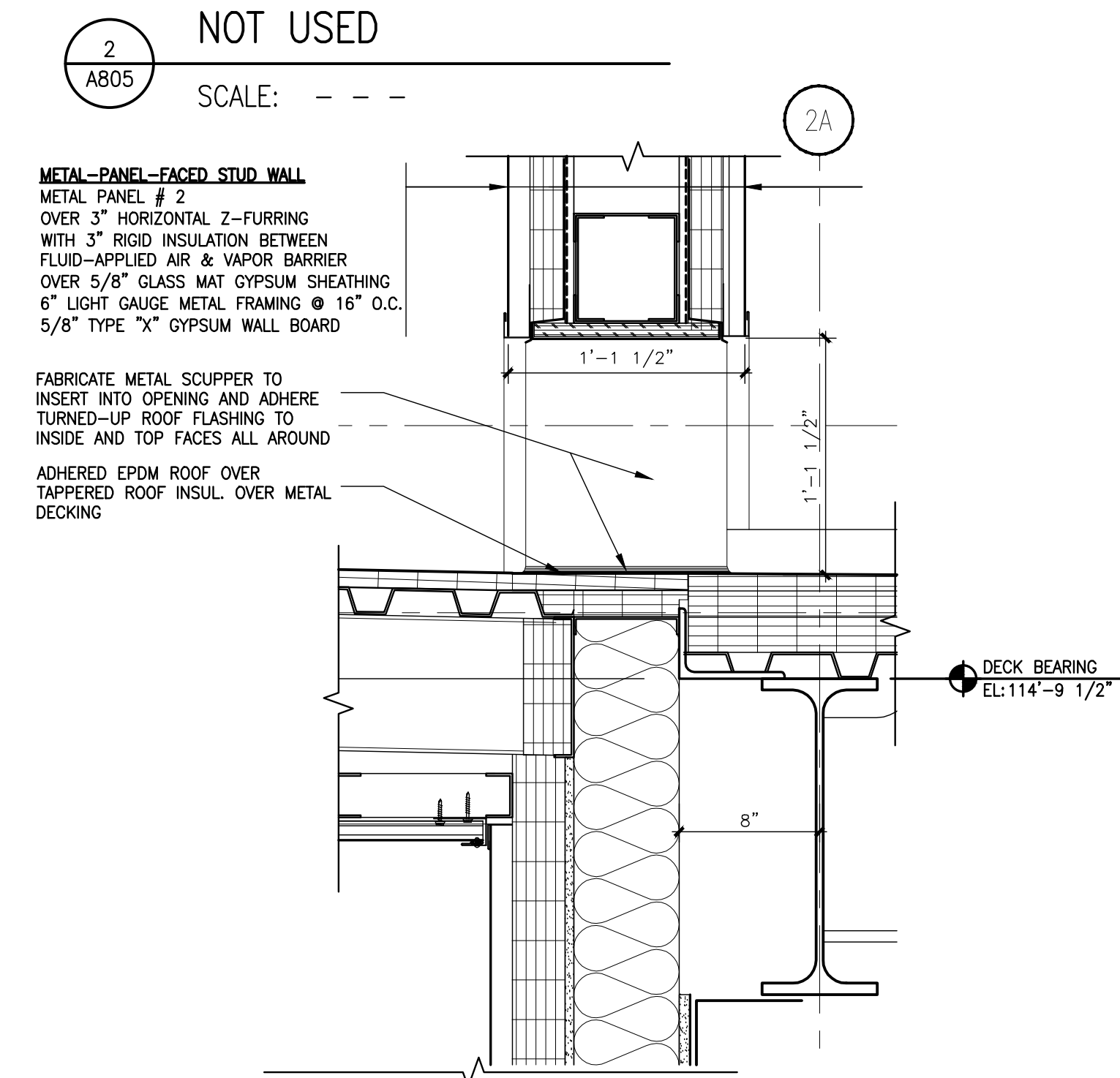
14 WALL FLASHING DETAIL  
AB05 SCALE: 1 1/2" = 1'-0"



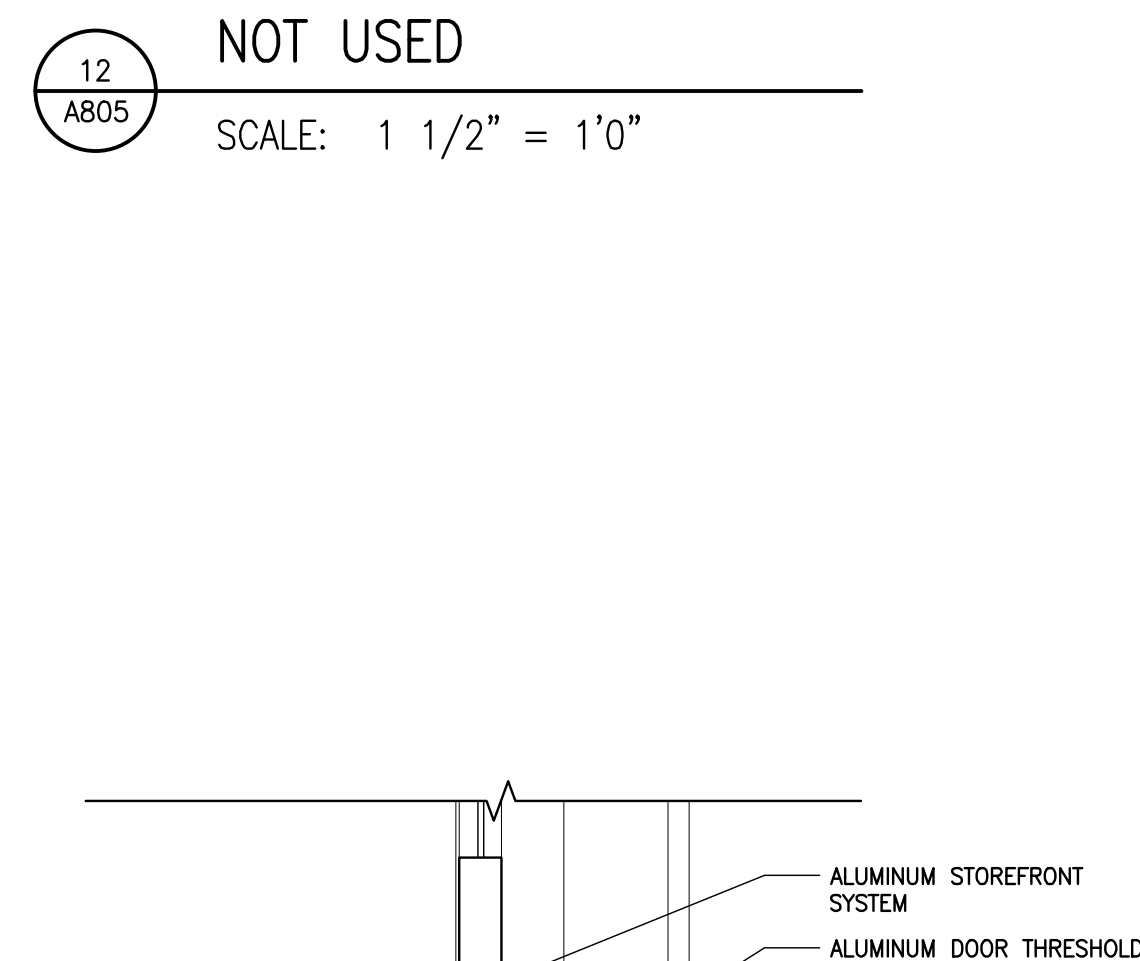
10 SECTION DETAIL  
AB05 SCALE: 1 1/2" = 1'0"



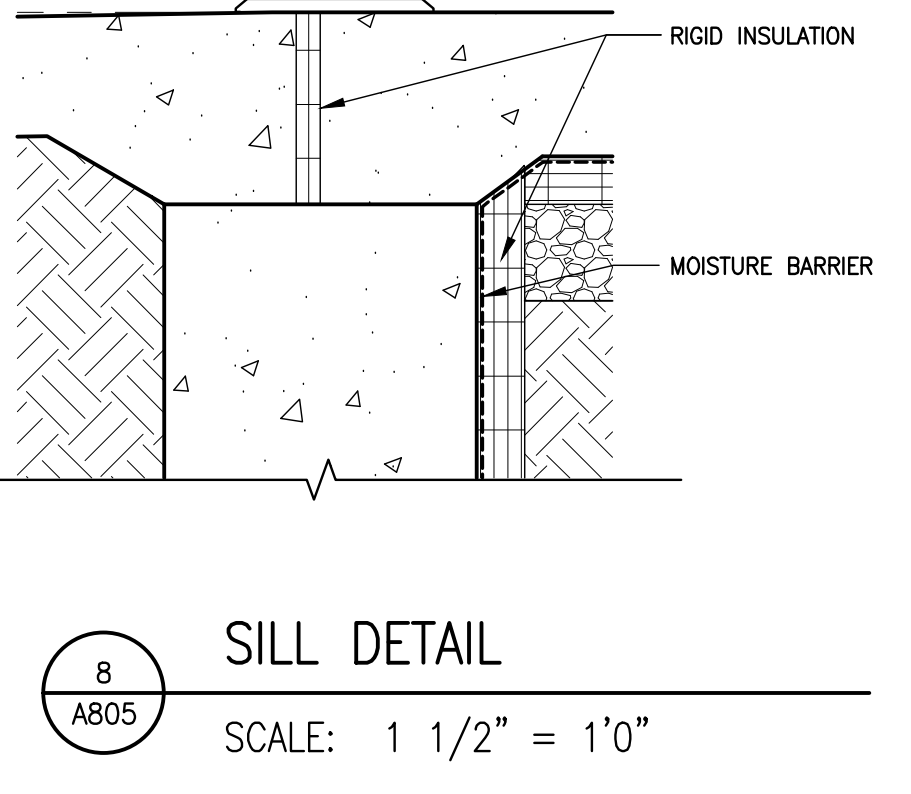
7 HEAD DETAIL  
AB05 SCALE: 1 1/2" = 1'0"



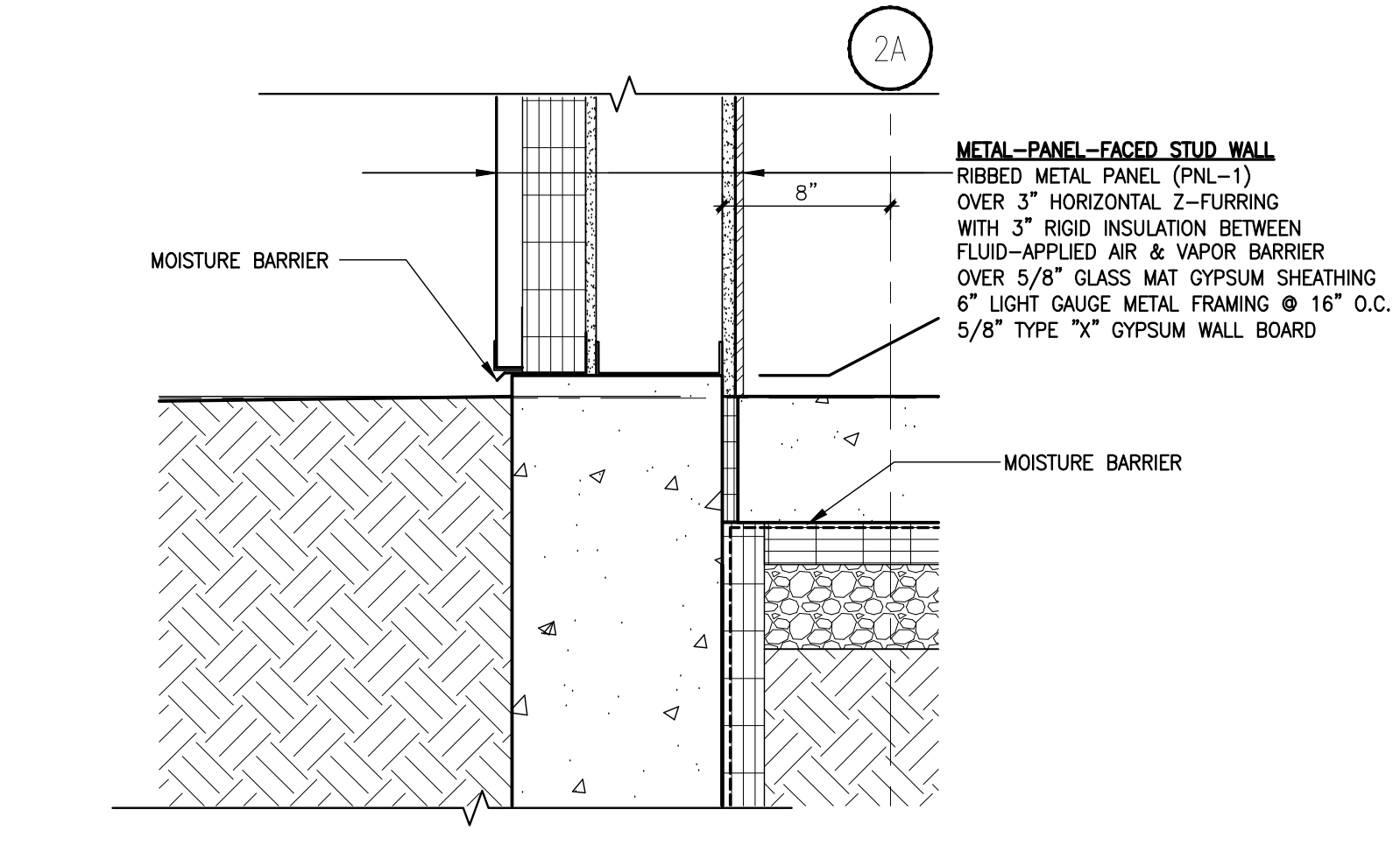
3 SECTION DETAIL  
AB05 SCALE: 1 1/2" = 1'0"



13 SECTION DETAIL  
AB05 SCALE: 1 1/2" = 1'0"



8 SILL DETAIL  
AB05 SCALE: 1 1/2" = 1'0"



4 SECTION DETAIL  
AB05 SCALE: 1 1/2" = 1'0"

DRAWING SET	CD
COPYRIGHT	2013
STRANG, INC.	
FILE NAME	2013027_02-AB05.DWG
REVISIONS	
DRAWN	CR
CHECKED	RG
DATE	10-29-13
PROJECT NO.	2013027_02
PROJECT TITLE	

ALLIANT ENERGY  
CENTER PAVILIONS  
BID # 313072

1919 ALLIANT ENERGY CENTER WAY  
MADISON, WISCONSIN 53713

SHEET TITLE

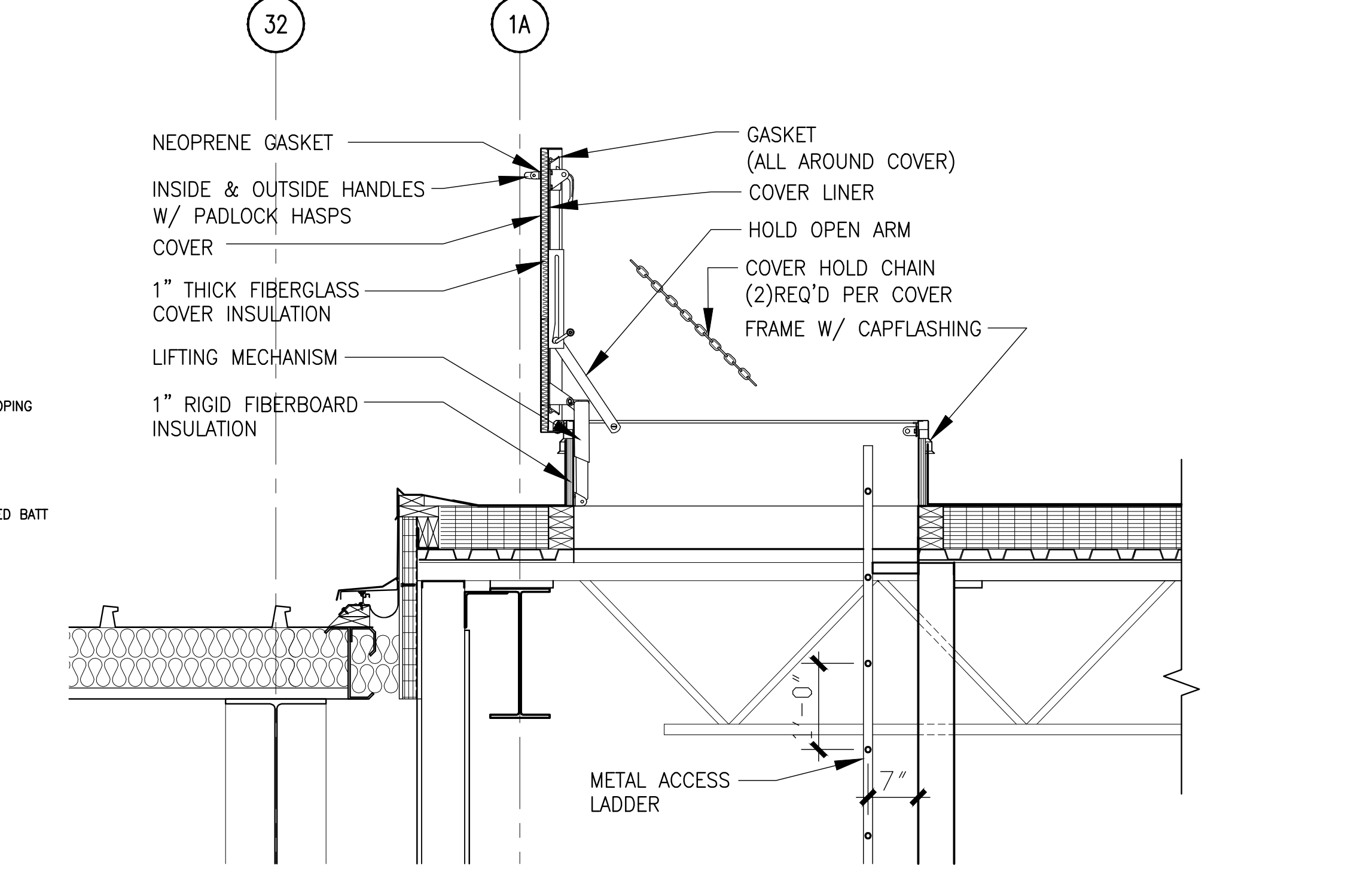
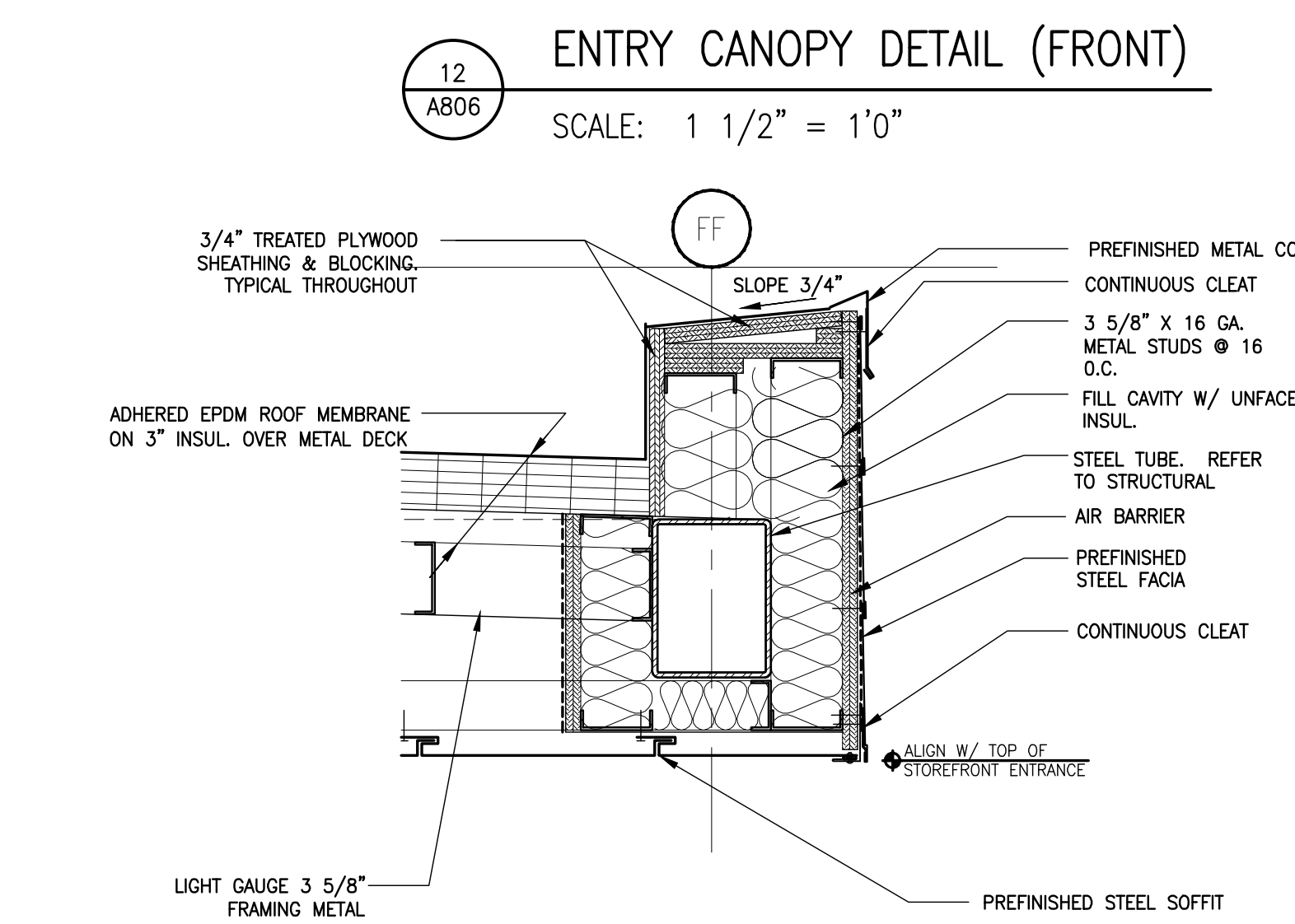
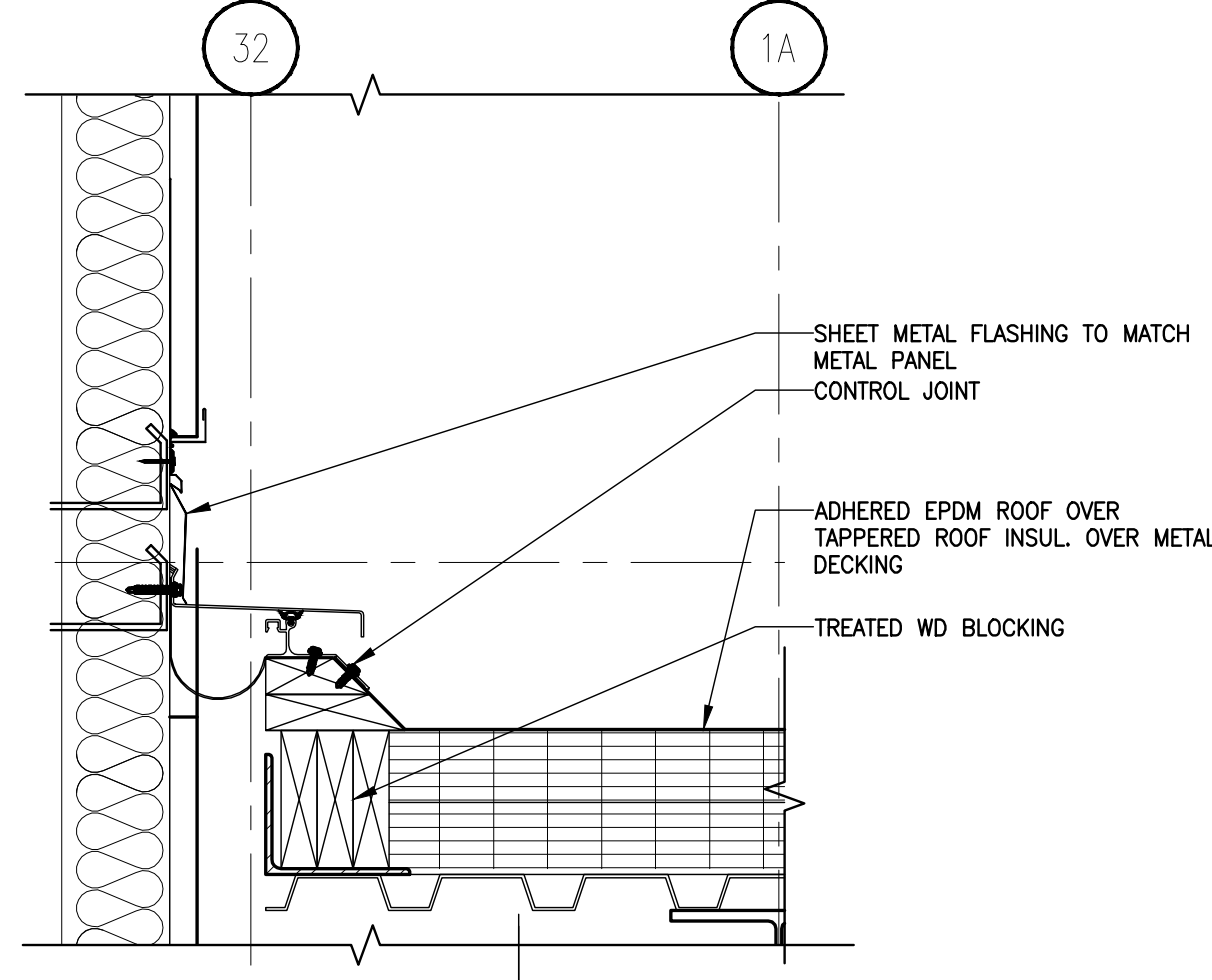
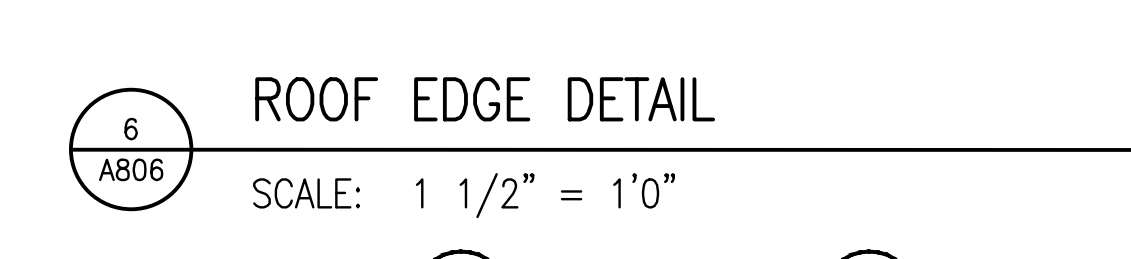
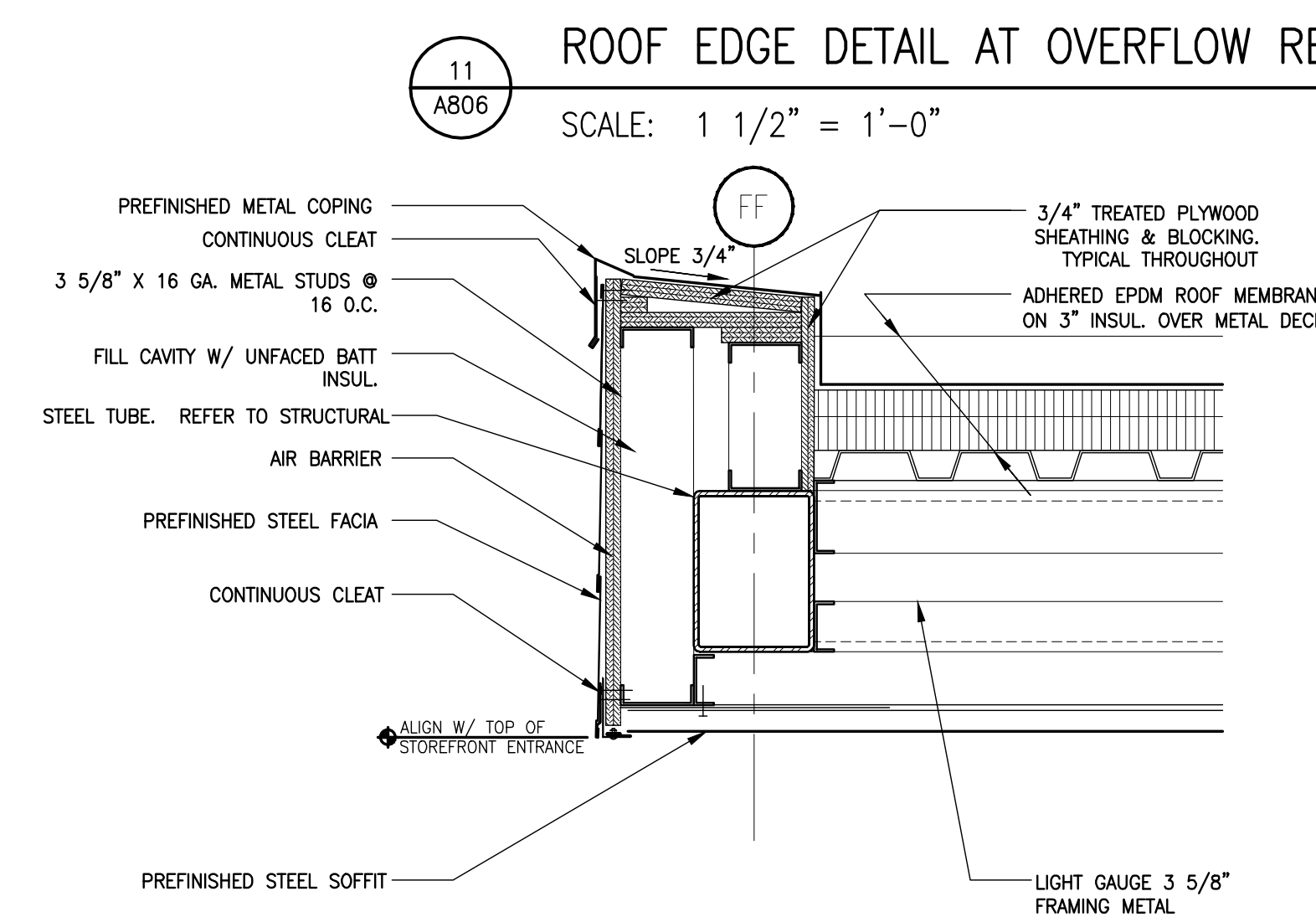
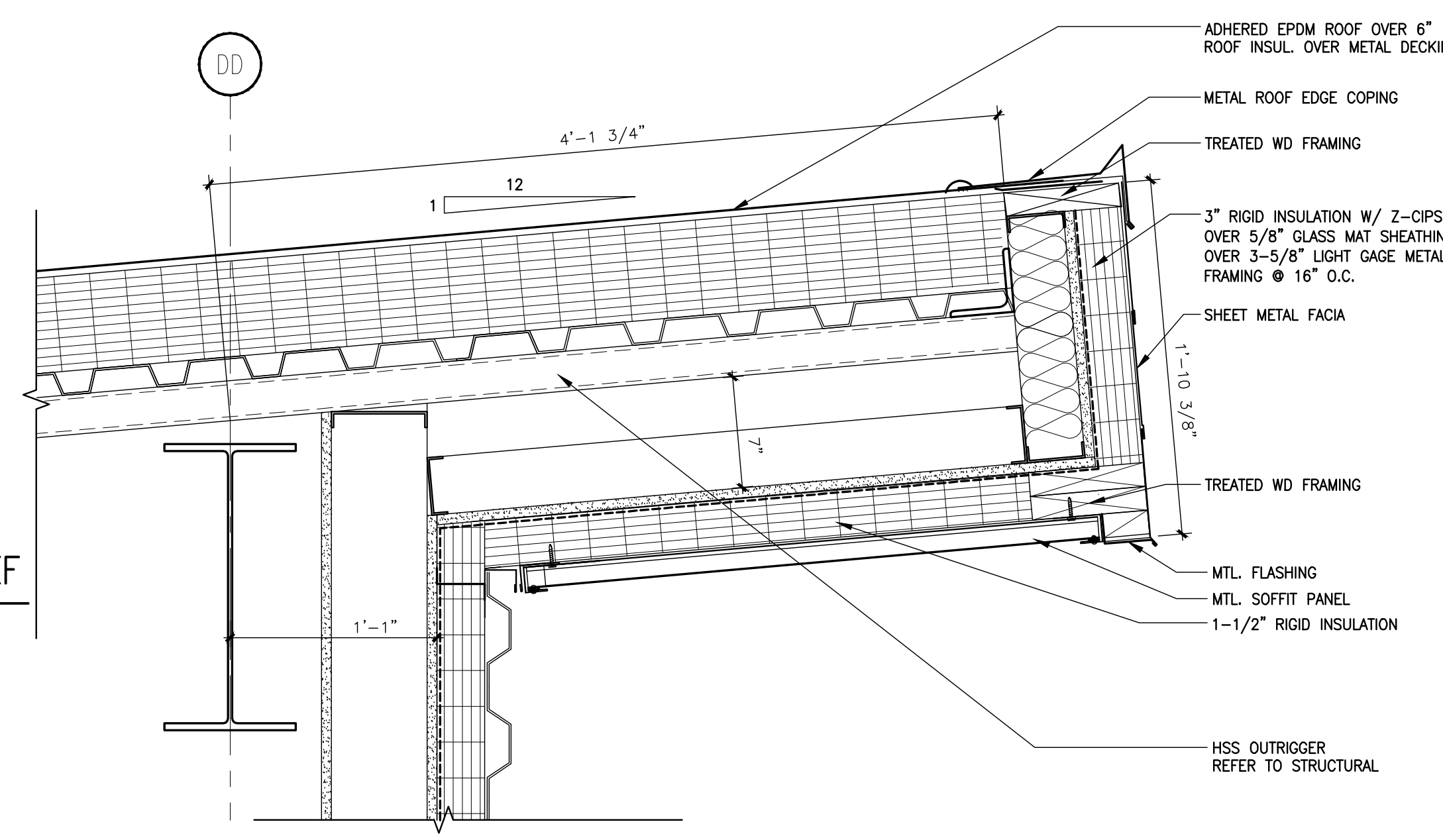
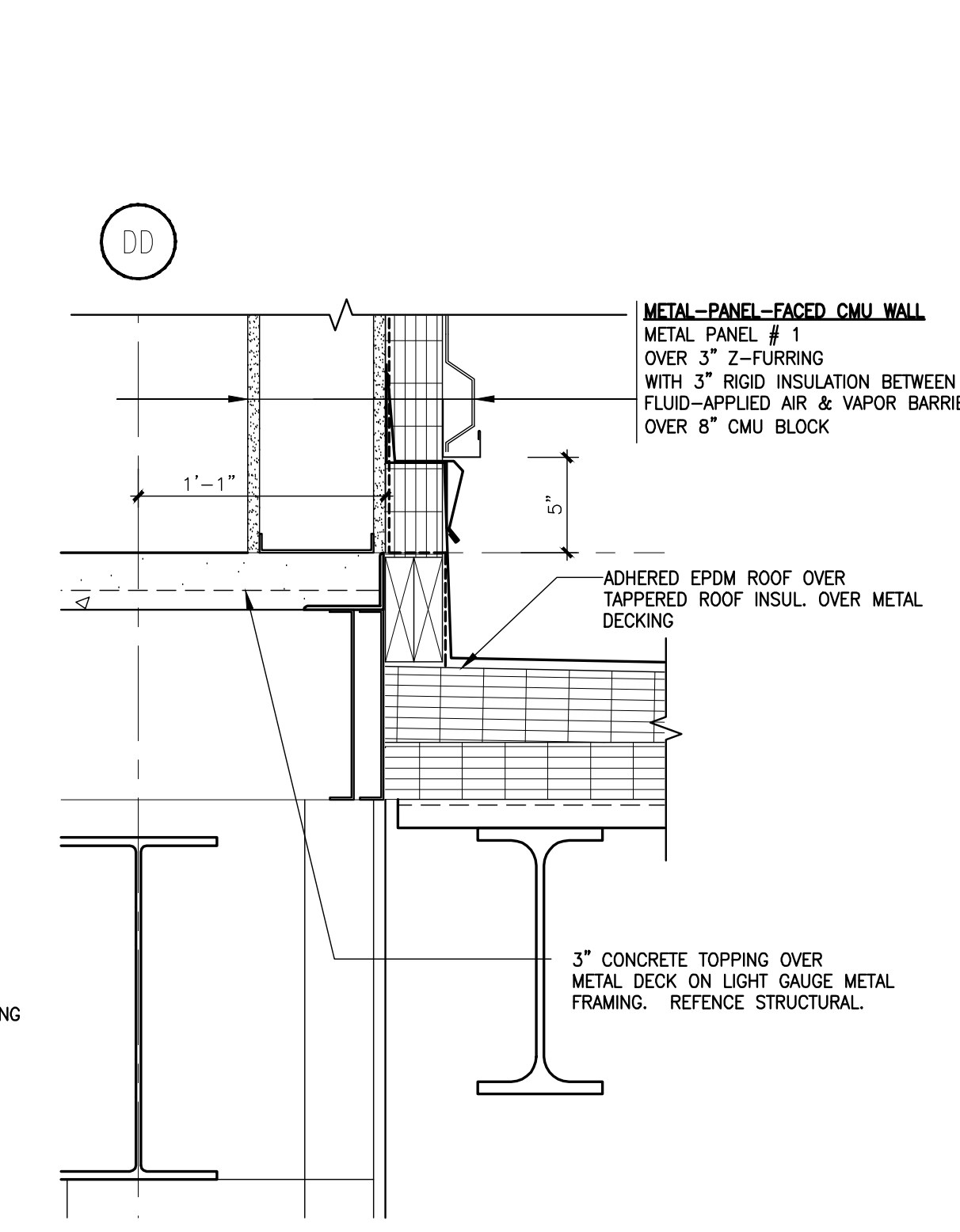
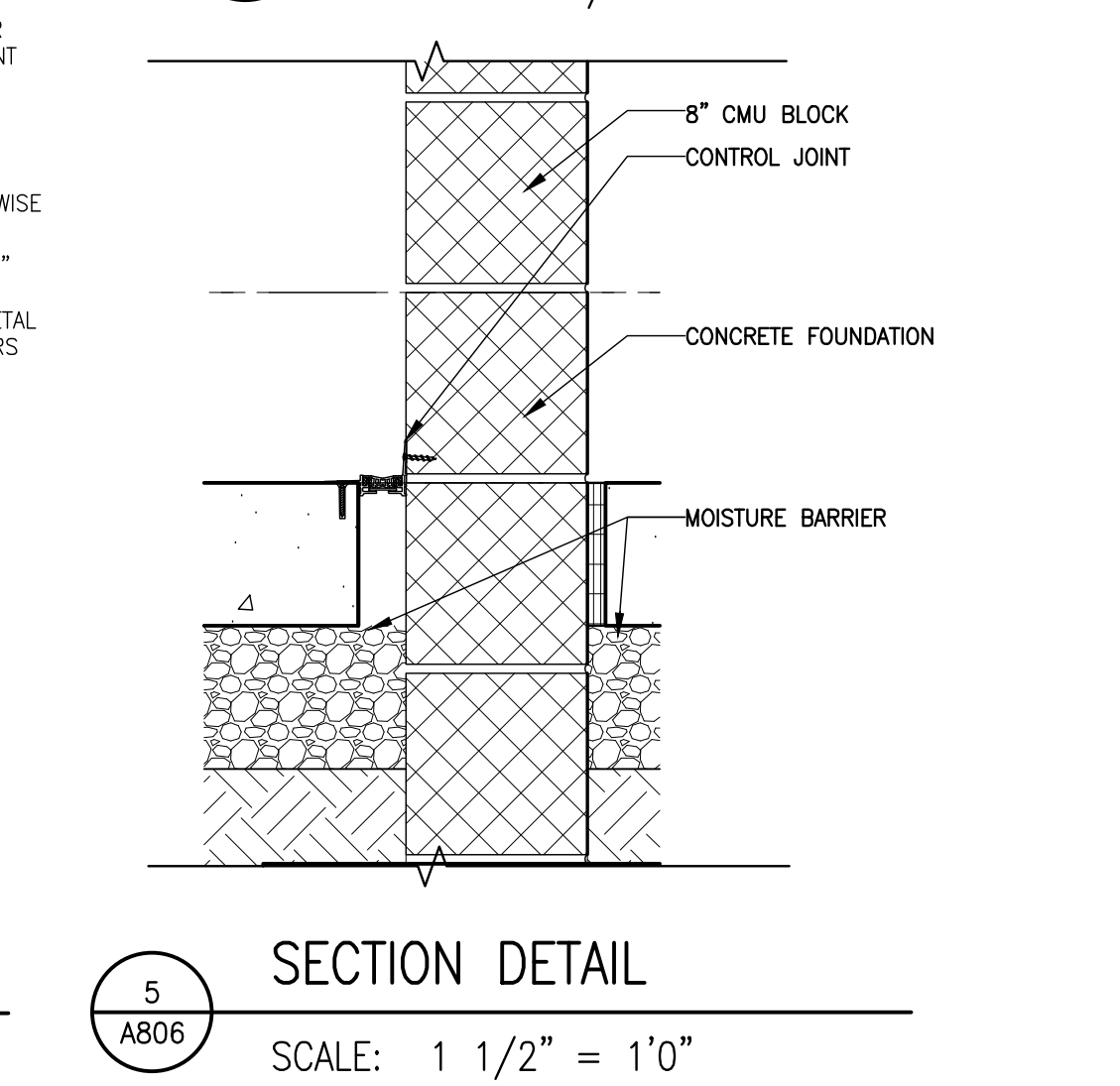
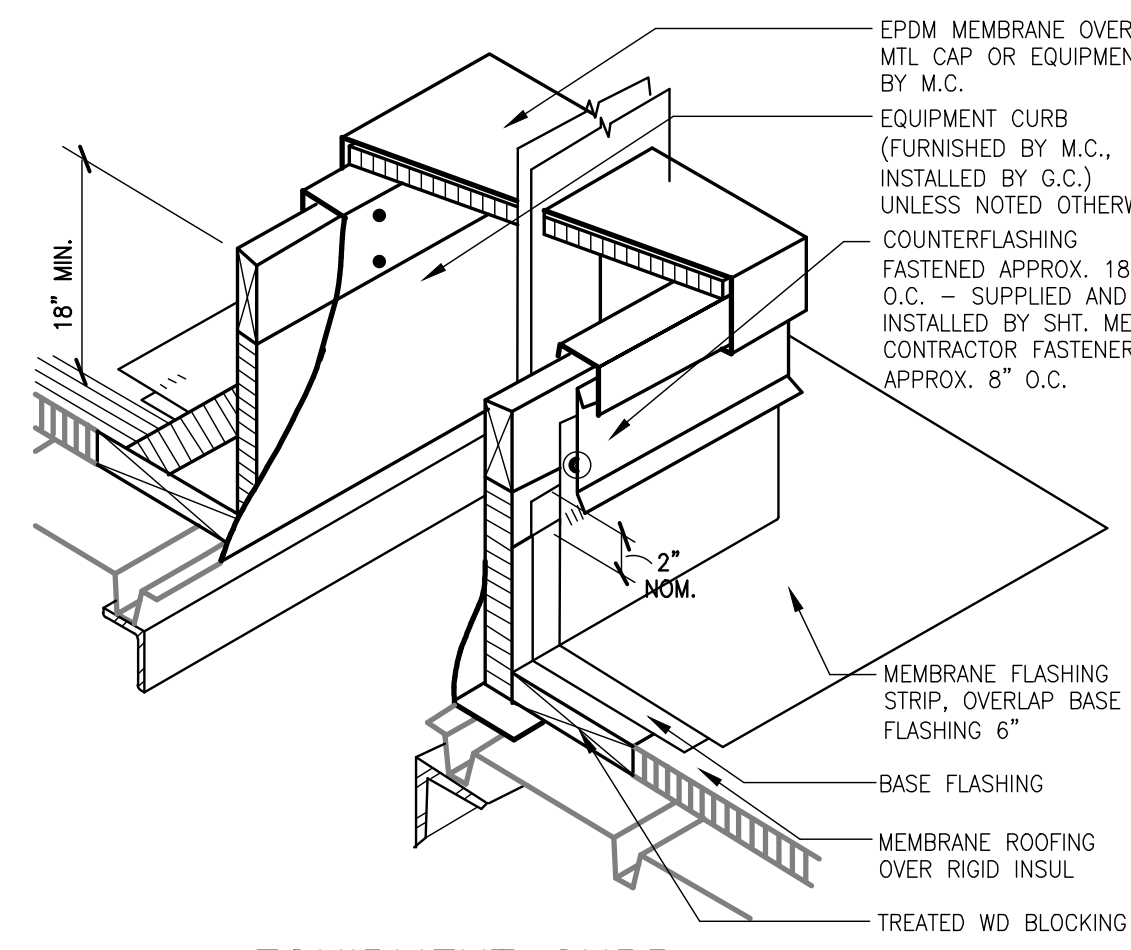
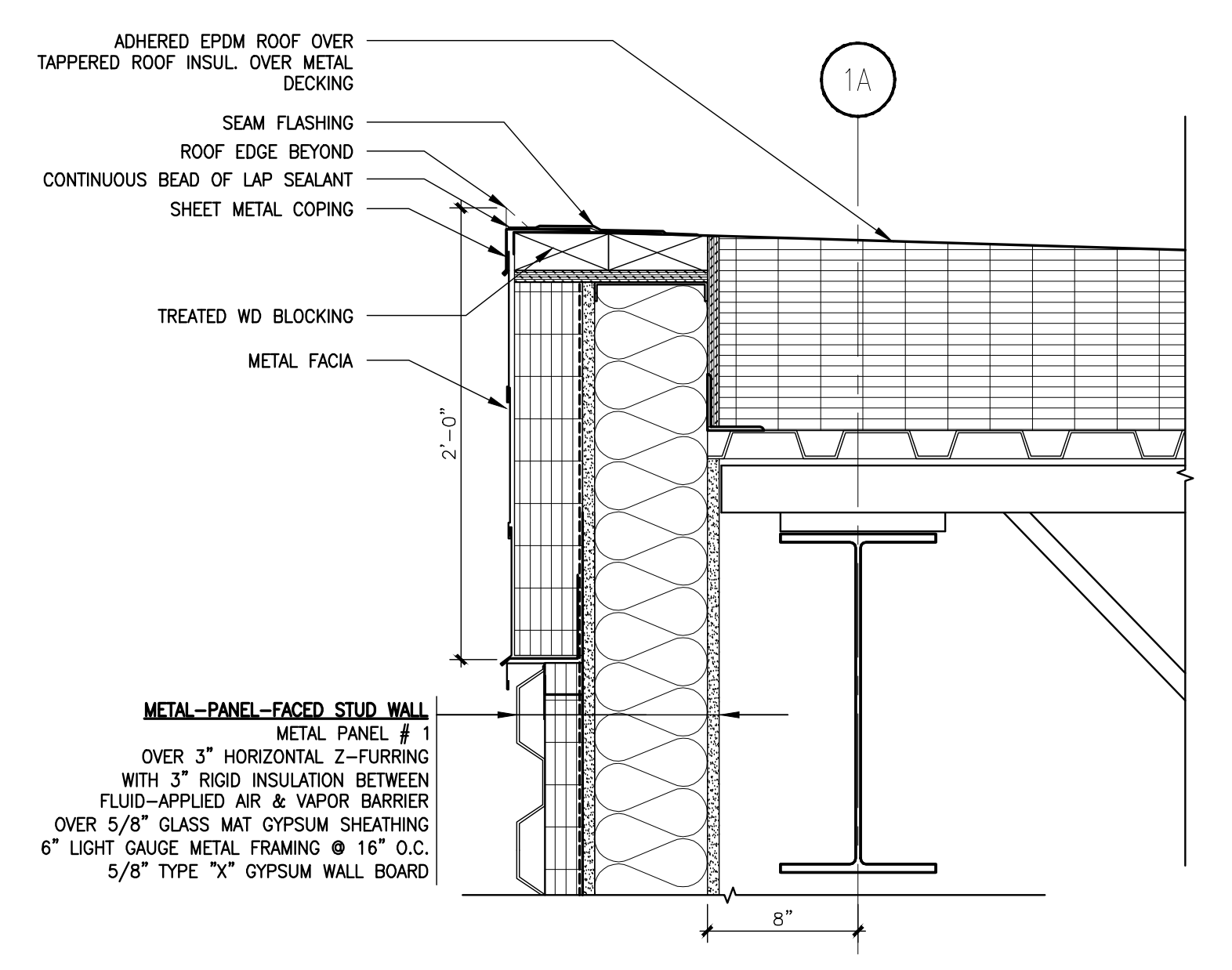
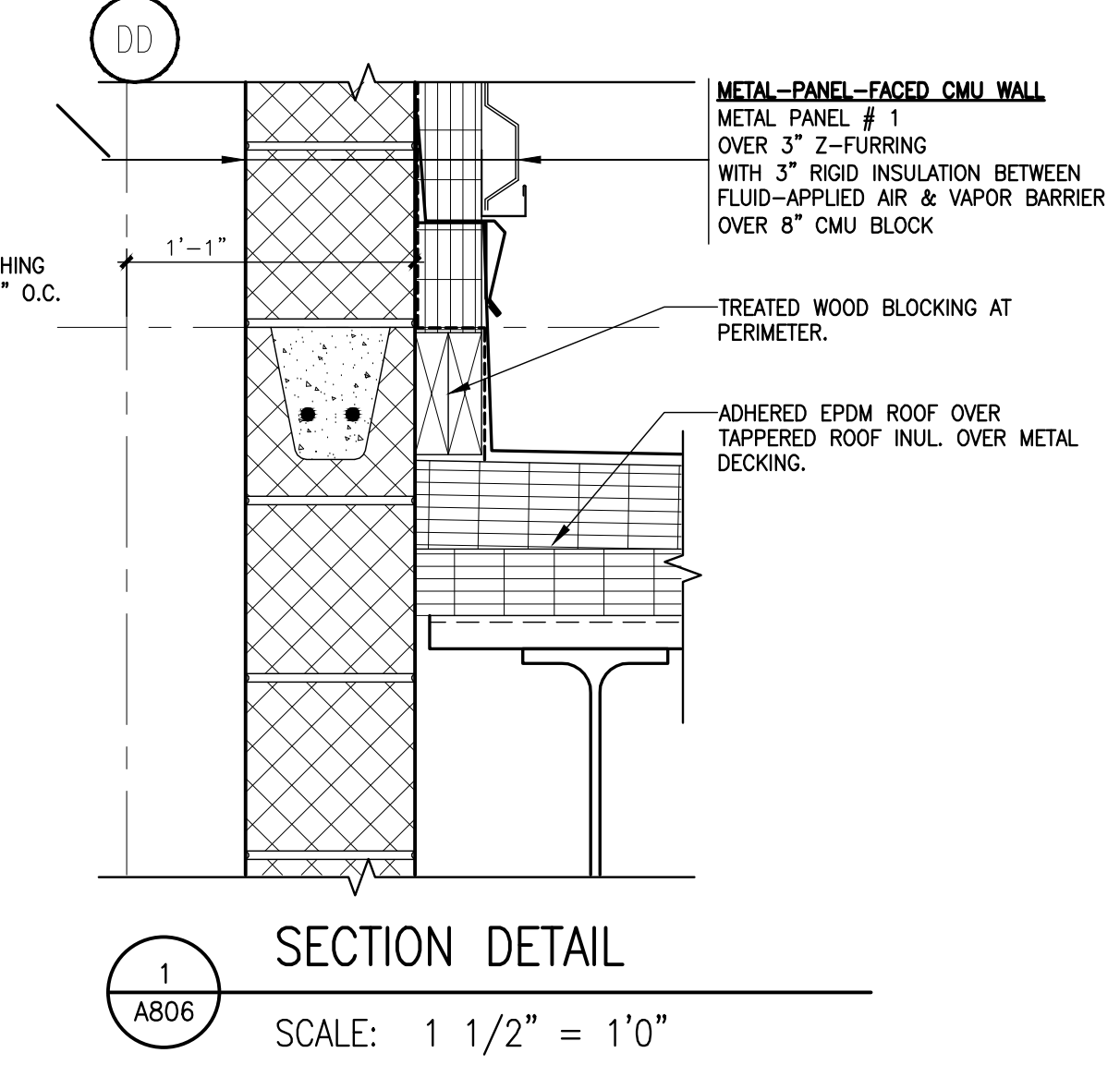
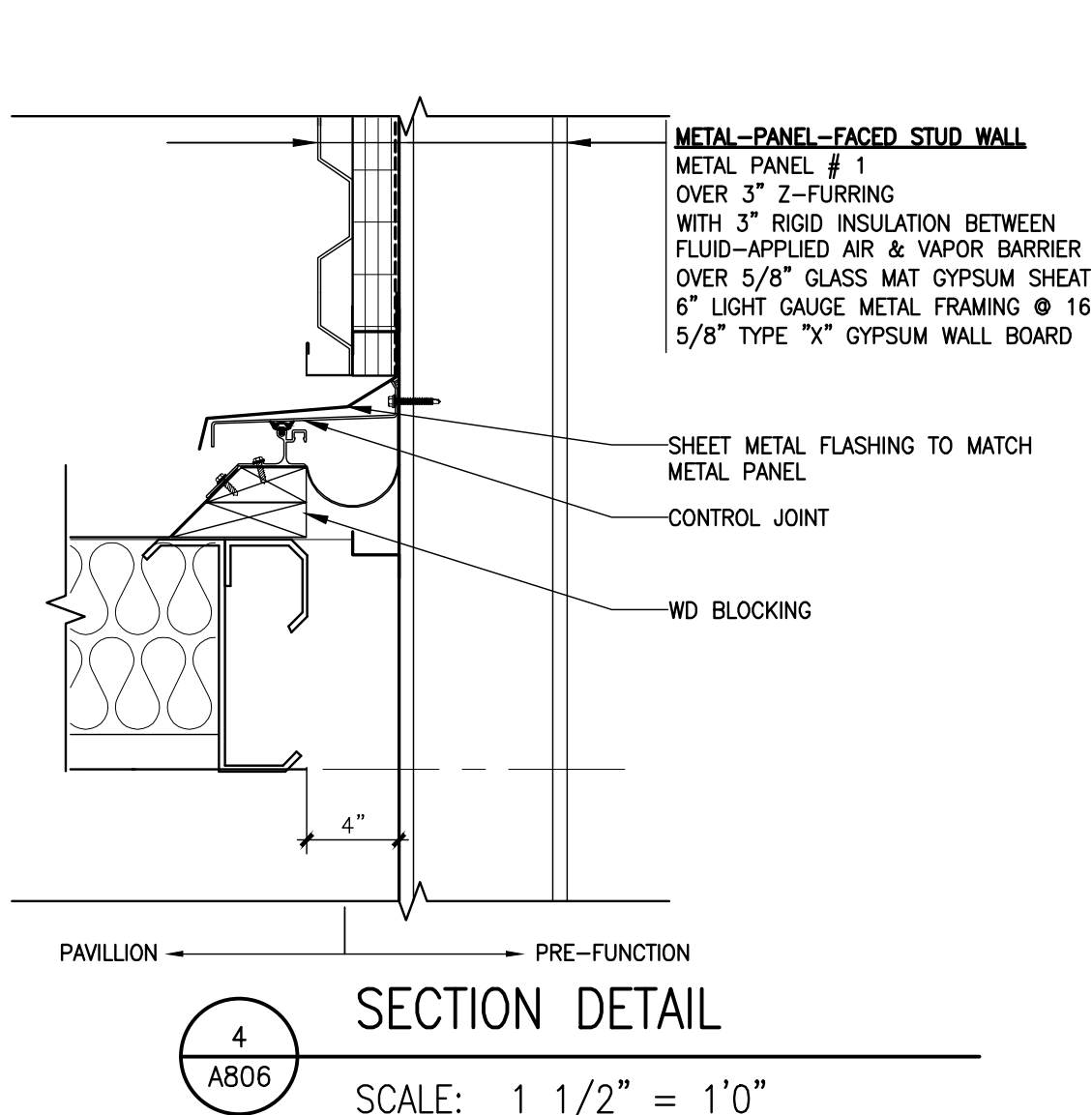
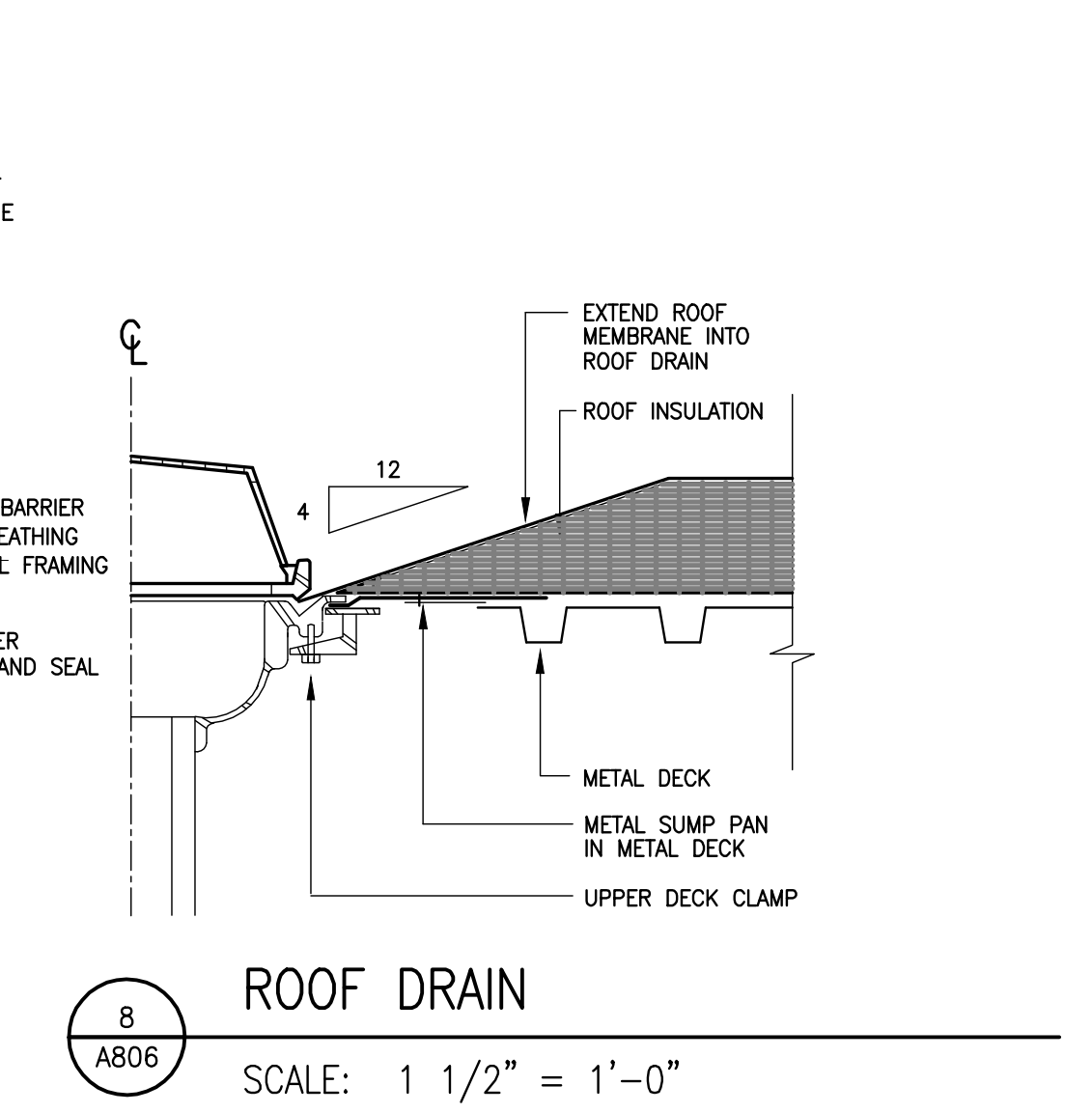
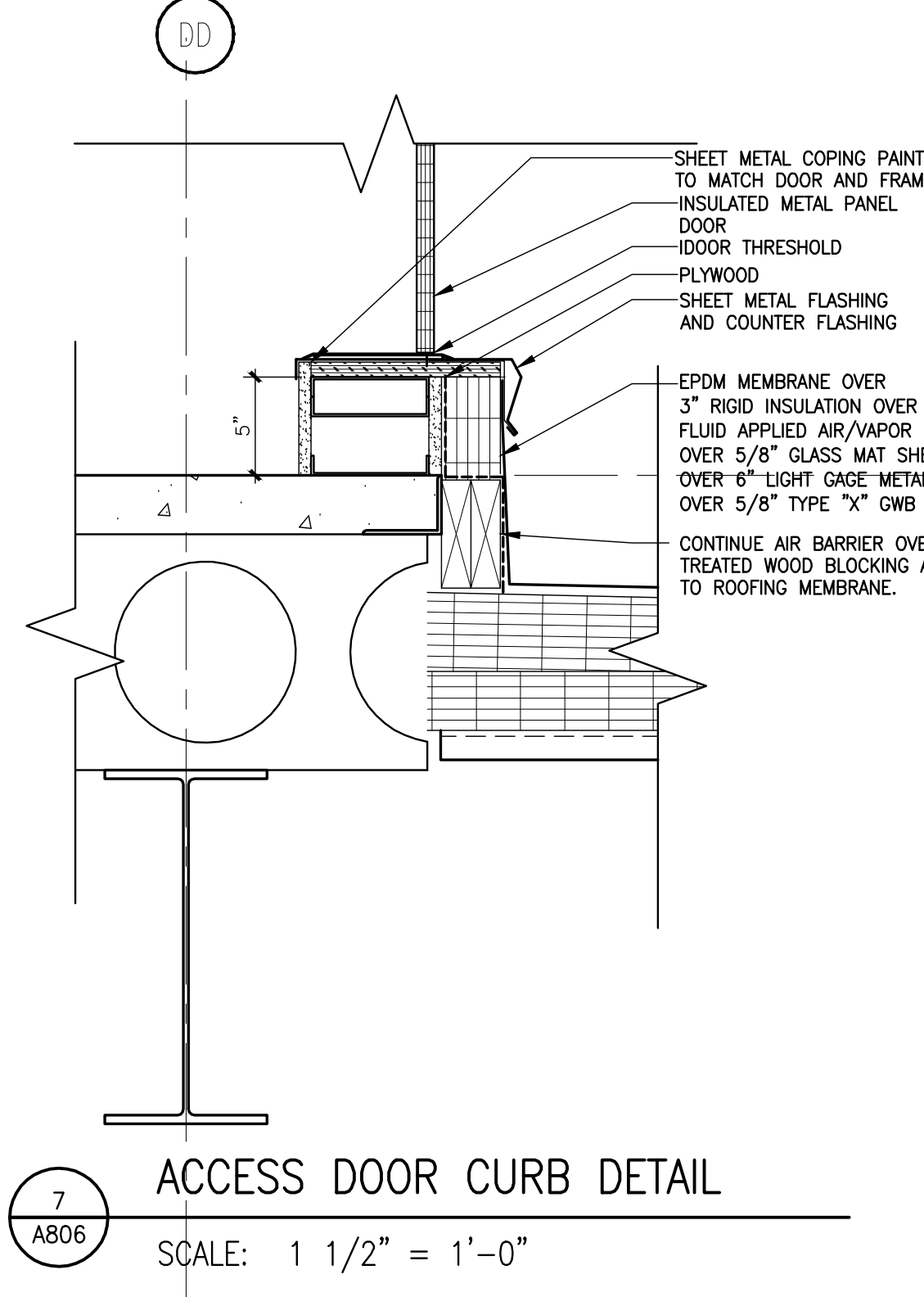
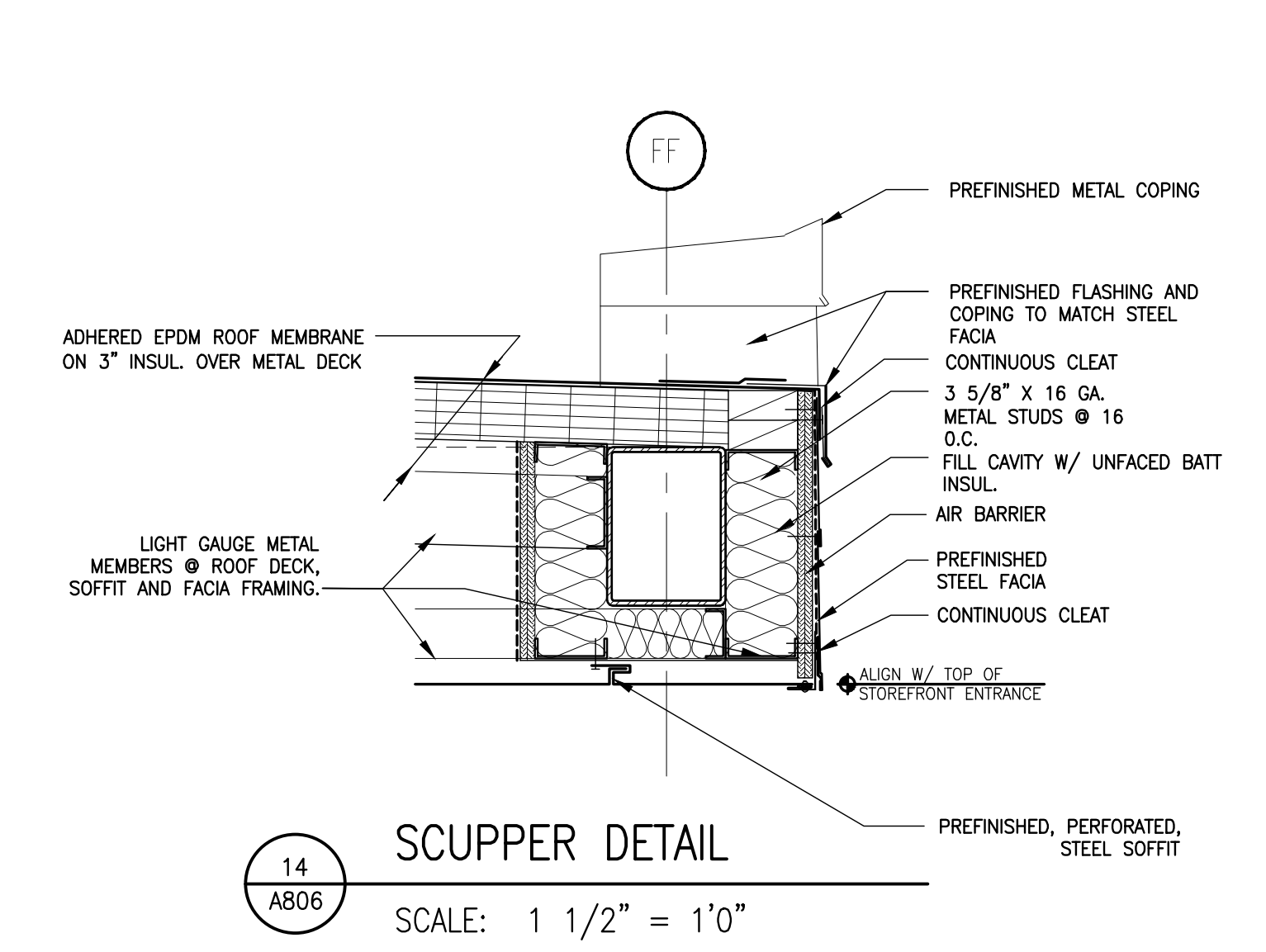
EXTERIOR DETAILS

SHEET NO.  
A805

10/23/2013 10:14:14 AM  
2013027\_02-AB05.rvt

C:\C:\RUIZ\_2008\05\_27\PM\_KL\_2013\2013027\_ALLIANT ENERGY CENTER LIESTOCK & EXHIBITION SPACE EXPANSION\2013027\_02-AB05.DWG





DRAWING SET	CD
COPYRIGHT	2013
FILE NAME	2013027_02-AB06.DWG
REVISIONS	

DRAWN	###
CHECKED	###
DATE	10-29-13
PROJECT NO.	2013027_02
PROJECT TITLE	

ALLIANT ENERGY  
CENTER PAVILIONS  
BID # 313072

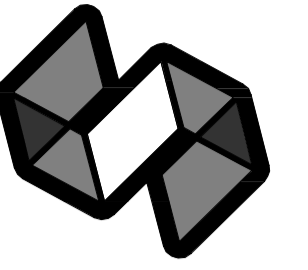
1919 ALLIANT ENERGY CENTER WAY  
MADISON, WISCONSIN 53713

SHEET TITLE

EXTERIOR DETAILS

SHEET NO.  
**A806**

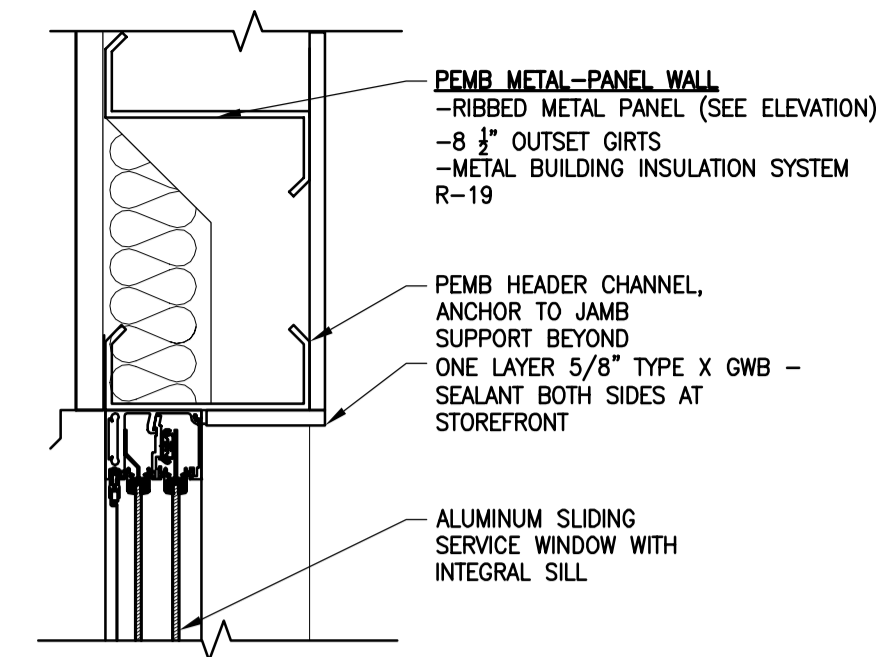
CARLOS RUIZ 2009.6.30 2:27 PM (K:\\_2013\2013027 - ALLIANT ENERGY CENTER LIFESTOCK & EXHIBITION SPACE EXPANSION\2013027\_02-AB06.DWG



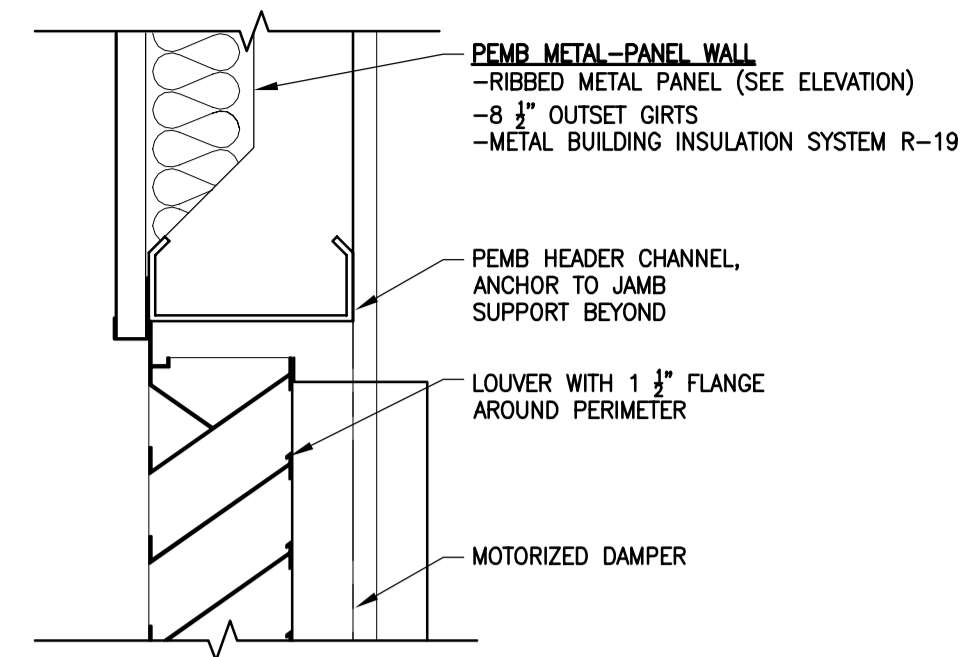
STRANG

ARCHITECTURE  
ENGINEERING  
INTERIOR DESIGN

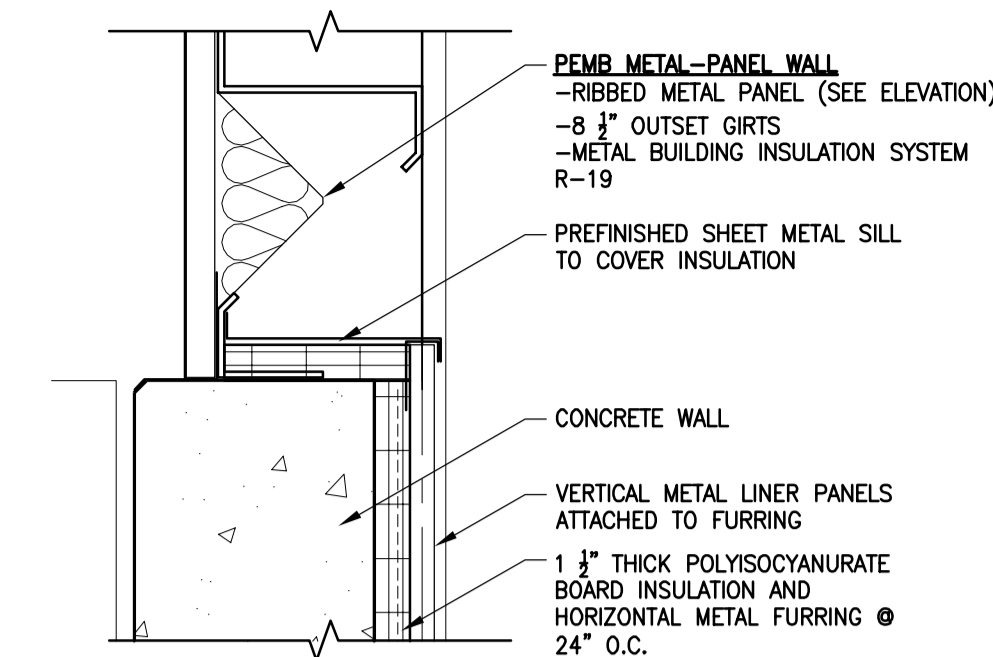
STRANG INC.  
8411 MINERAL POINT ROAD  
MADISON, WI 53705-4395  
T/ 608 276 9200  
F/ 608 276 9204



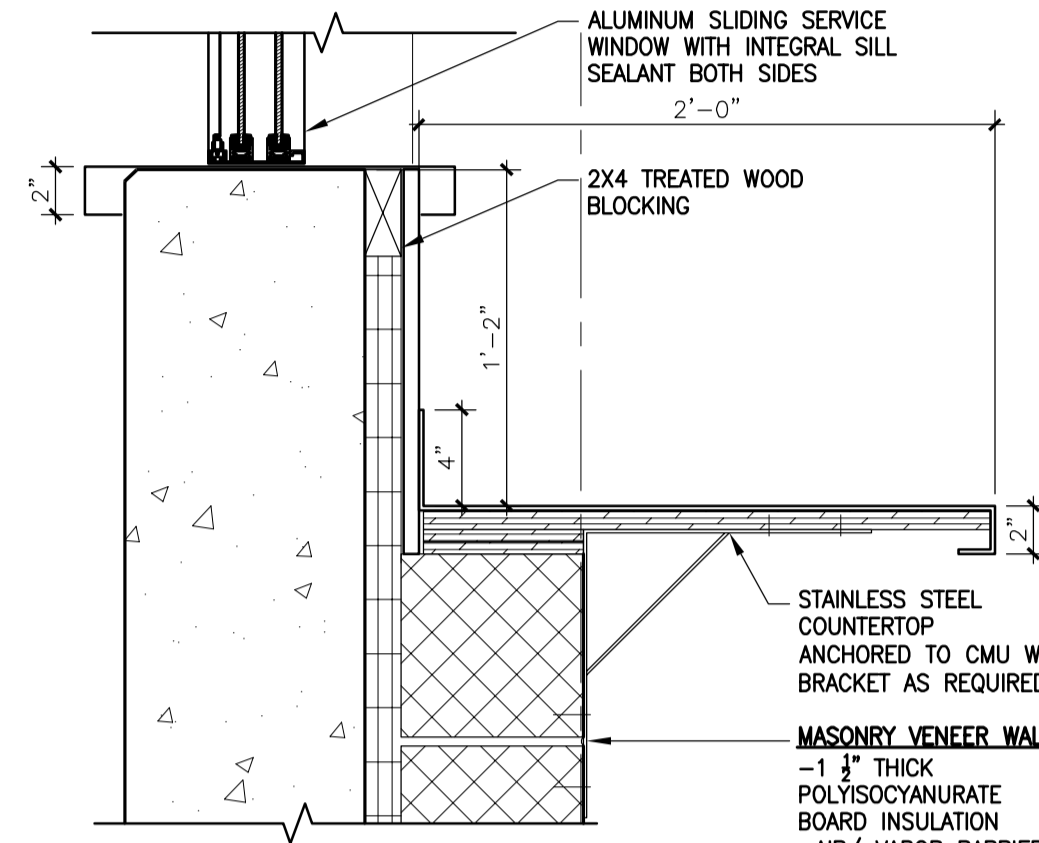
10 SECTION DETAIL  
SCALE: 1 1/2" = 1'0"



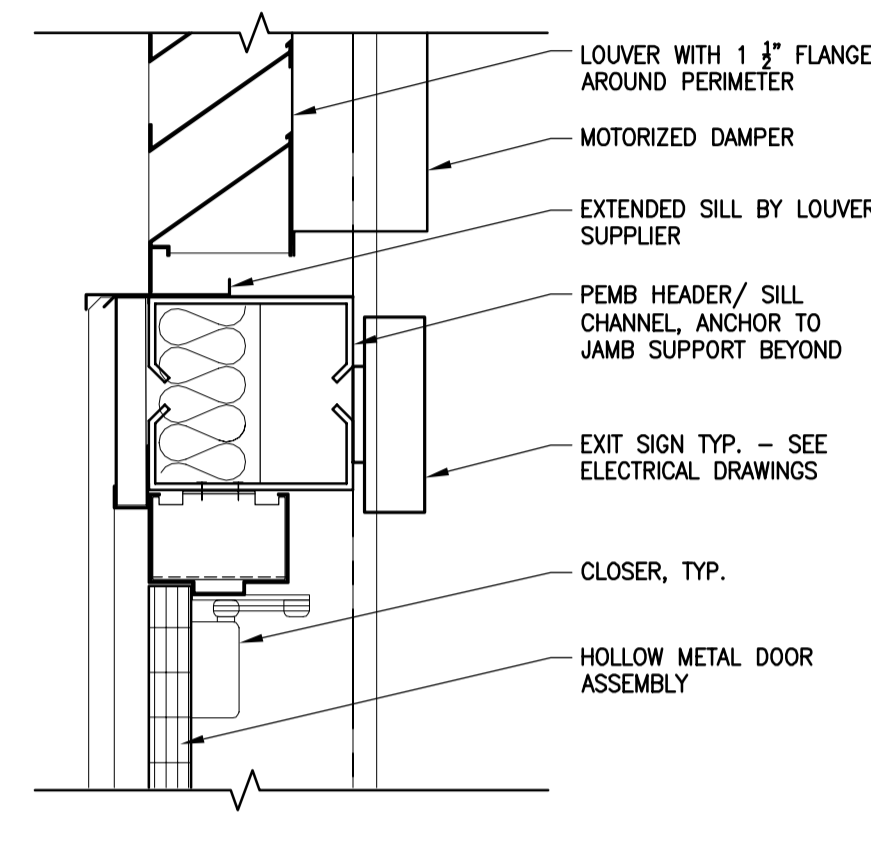
5 SECTION DETAIL  
SCALE: 1 1/2" = 1'0"



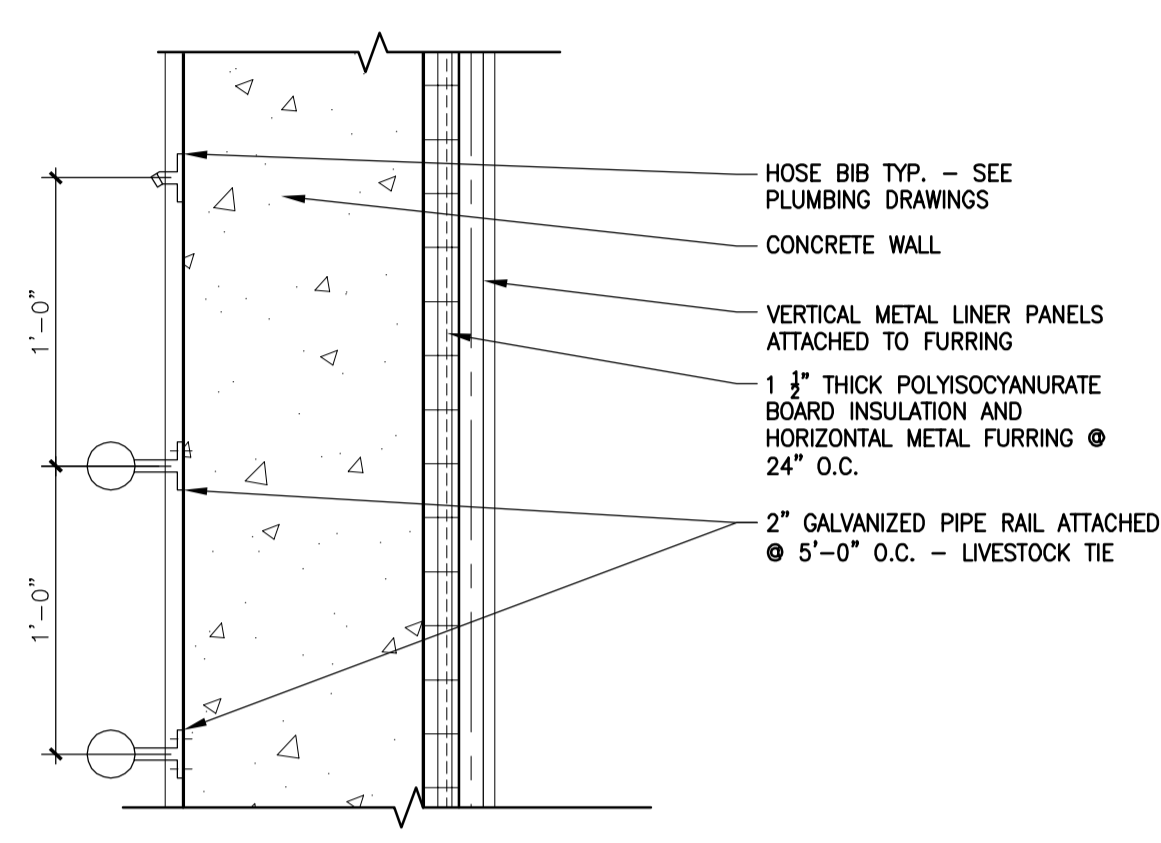
1 SECTION DETAIL  
SCALE: 1 1/2" = 1'0"



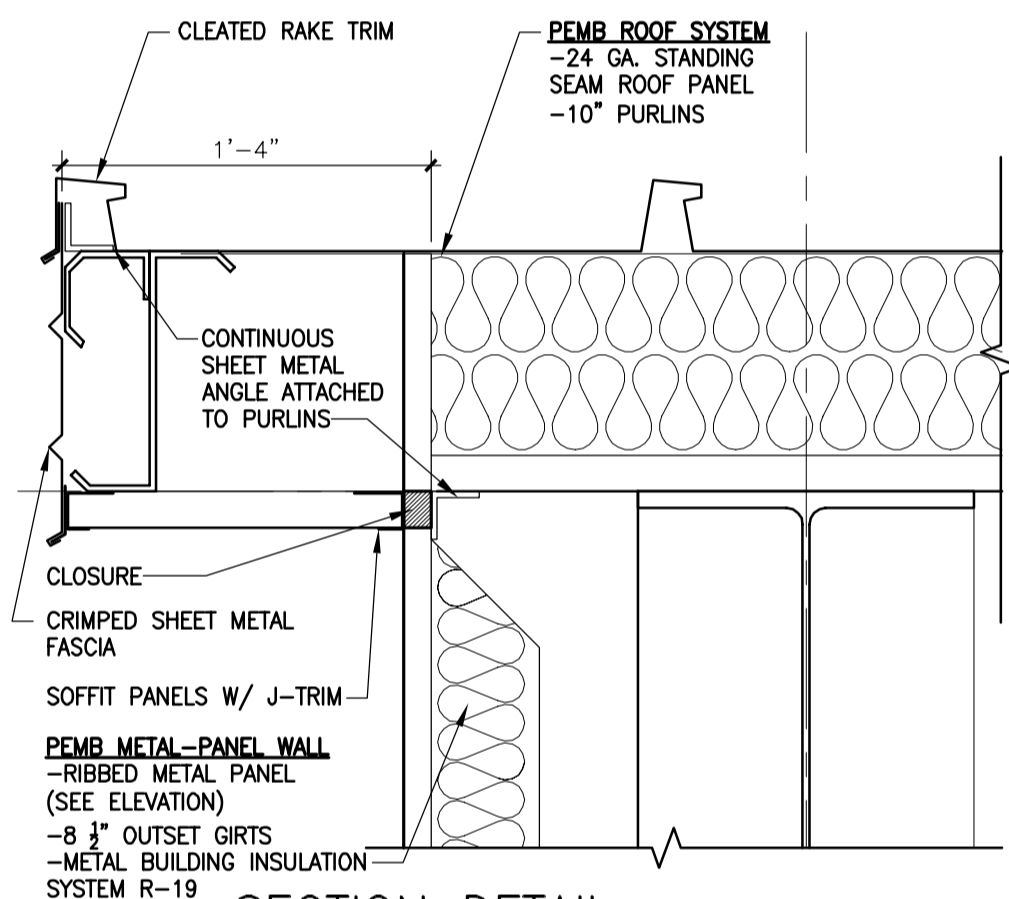
11 SECTION DETAIL  
SCALE: 1 1/2" = 1'0"



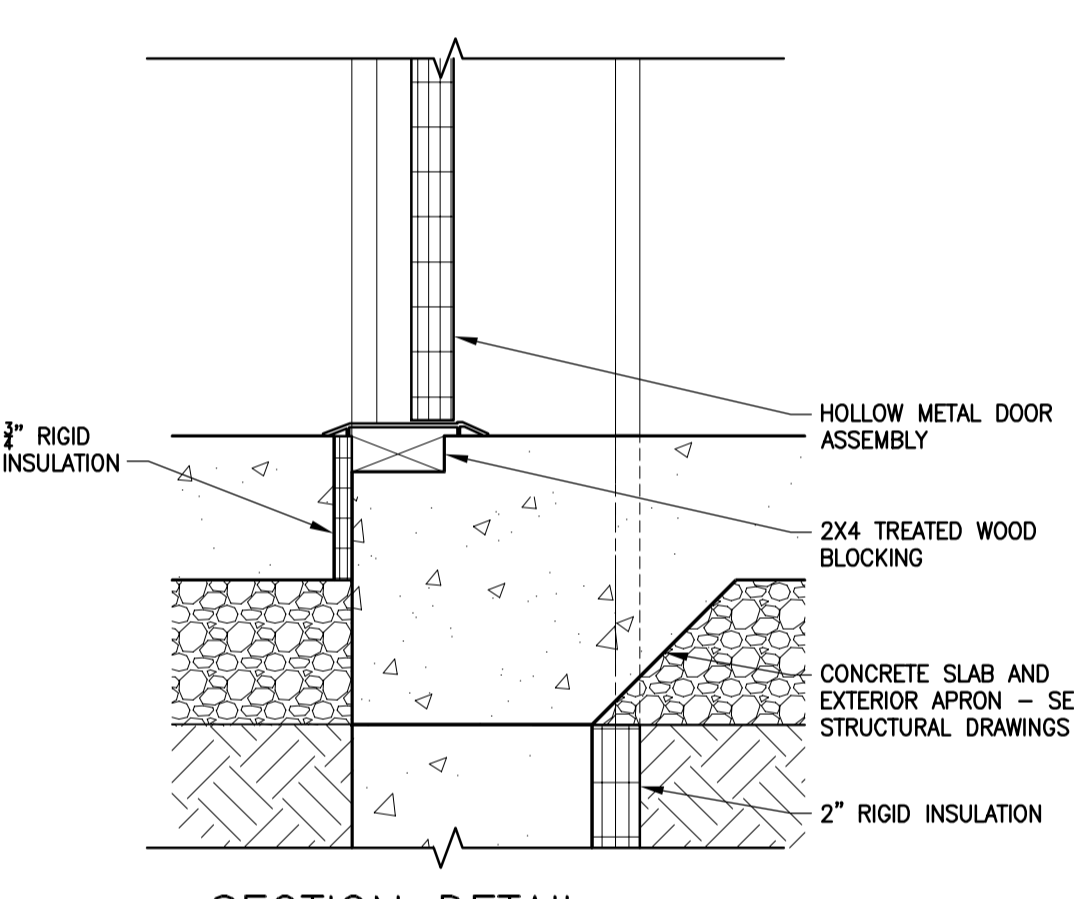
6 SECTION DETAIL  
SCALE: 1 1/2" = 1'0"



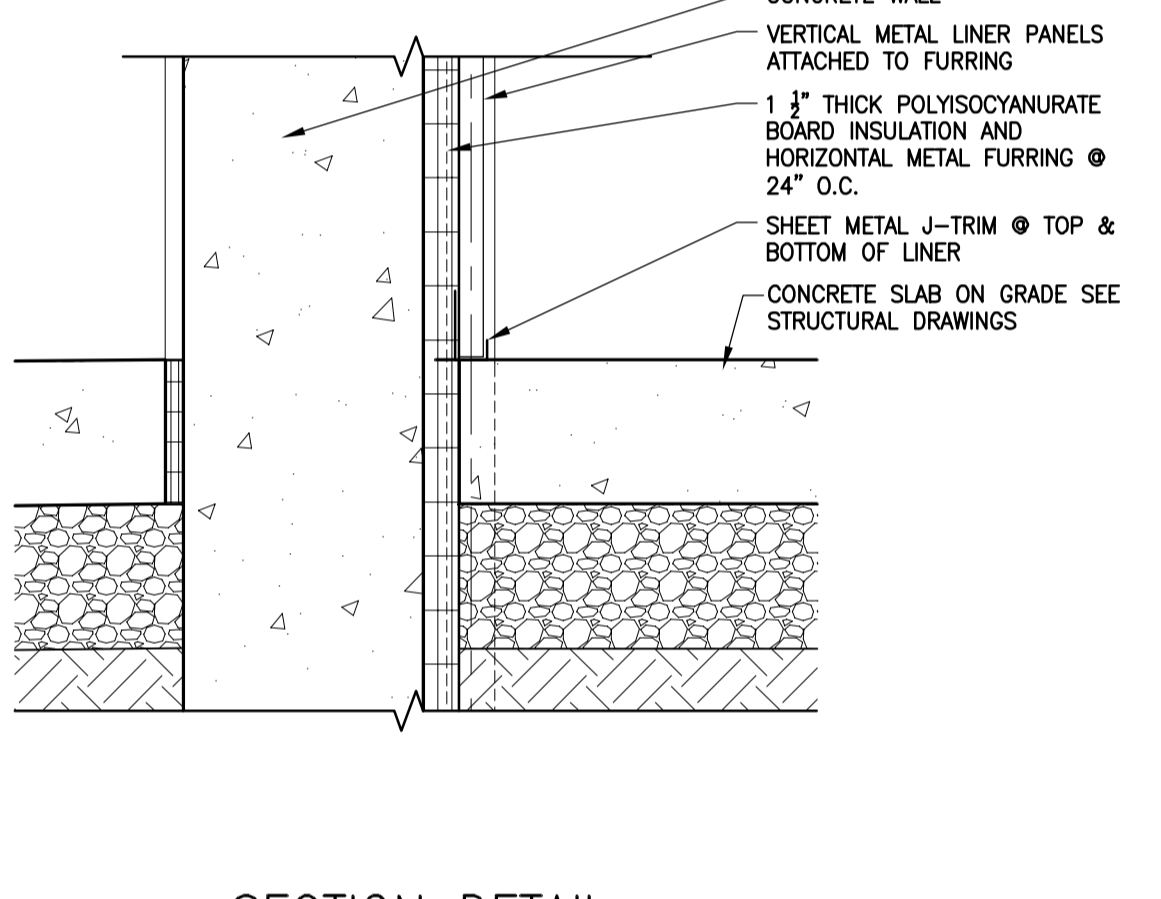
1A SECTION DETAIL  
SCALE: 1 1/2" = 1'0"



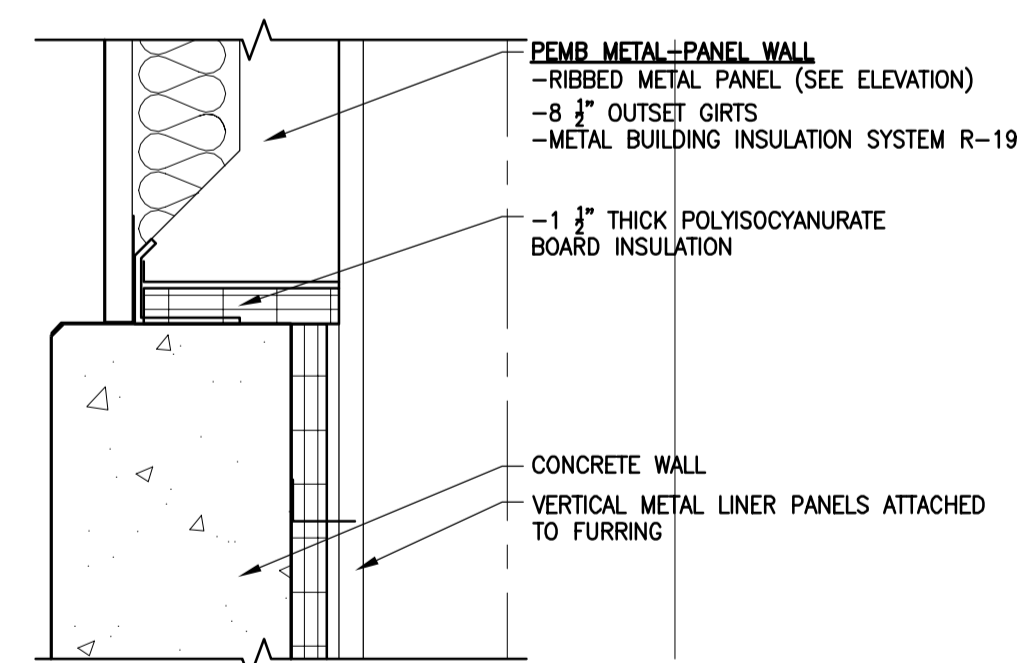
12 SECTION DETAIL  
SCALE: 1 1/2" = 1'0"



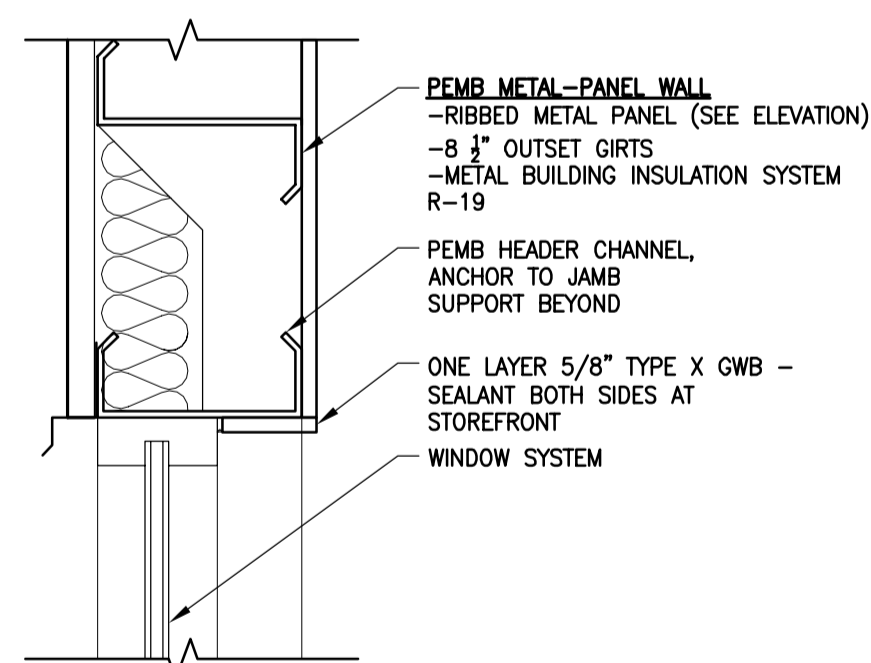
7 SECTION DETAIL  
SCALE: 1 1/2" = 1'0"



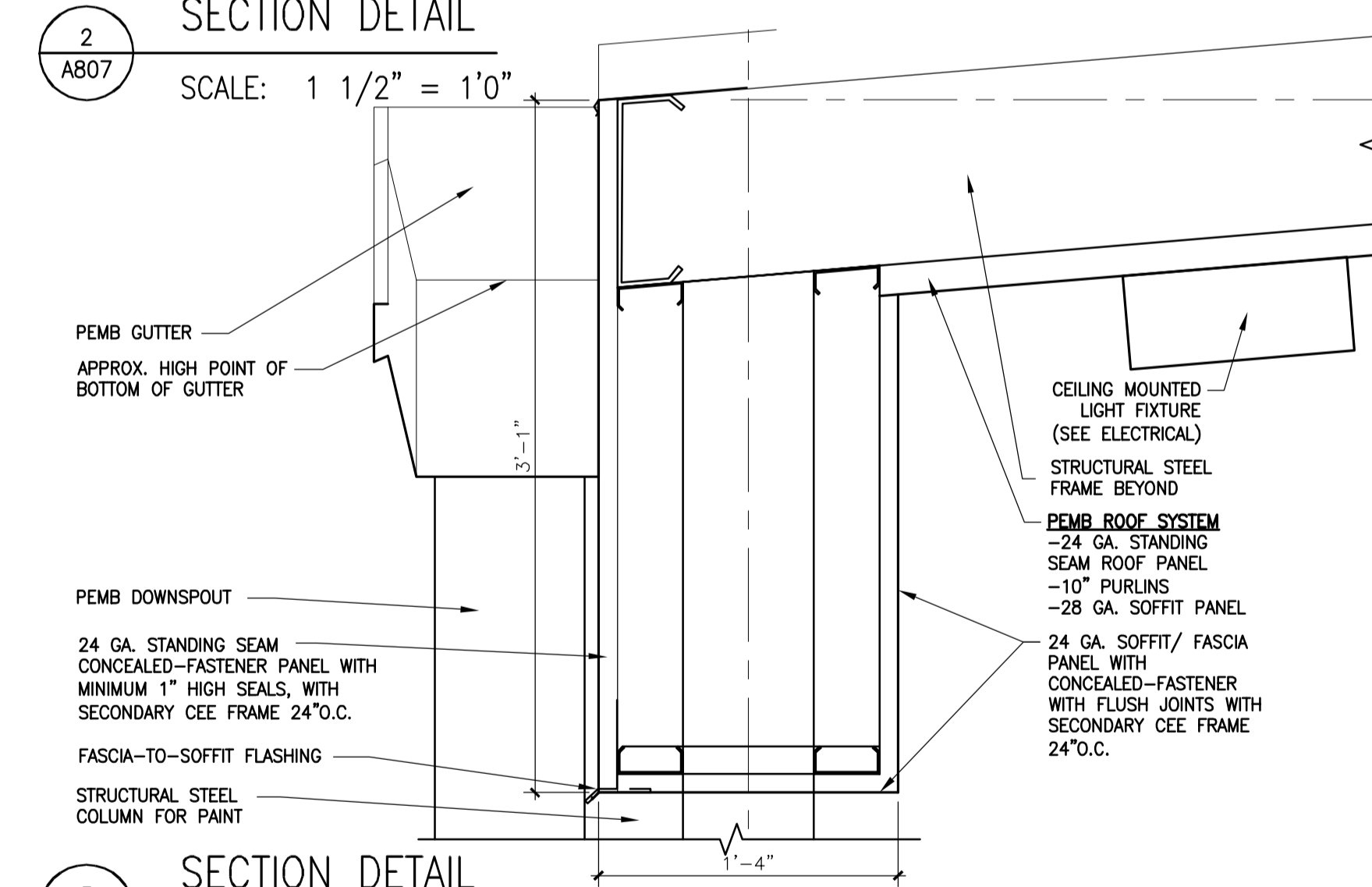
2 SECTION DETAIL  
SCALE: 1 1/2" = 1'0"



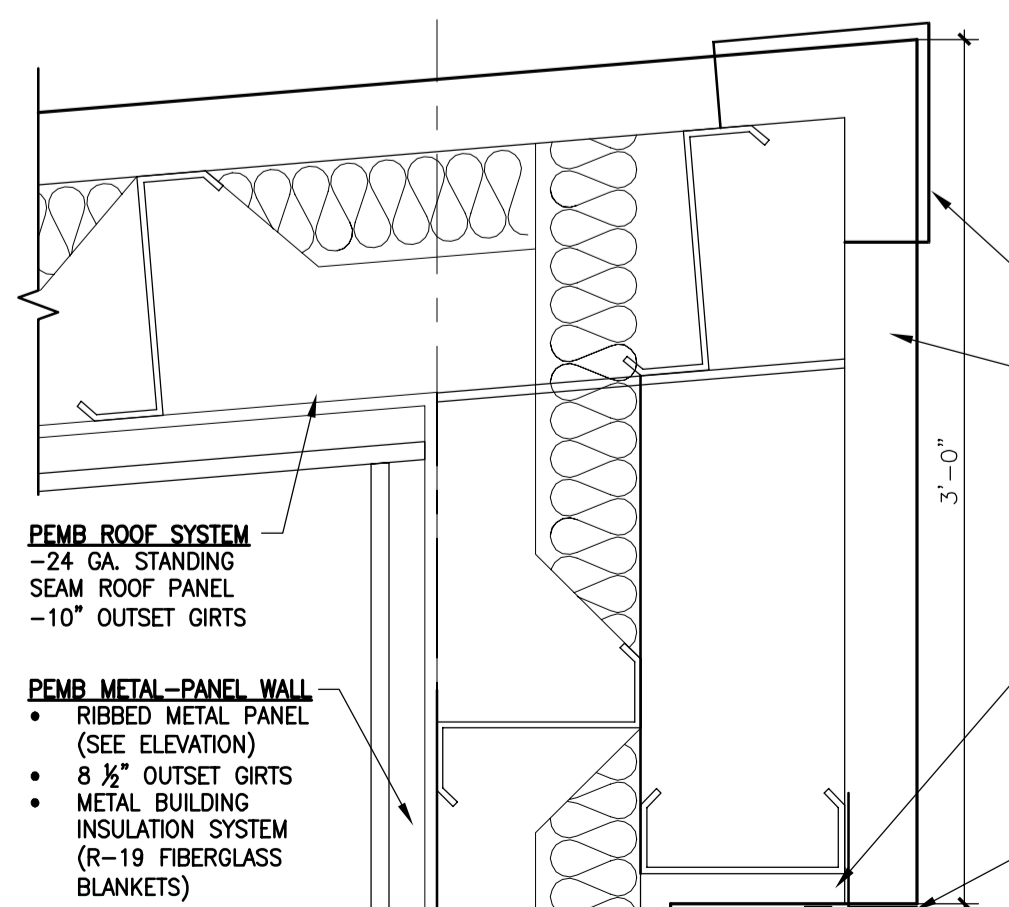
13 SECTION DETAIL  
SCALE: 1 1/2" = 1'0"



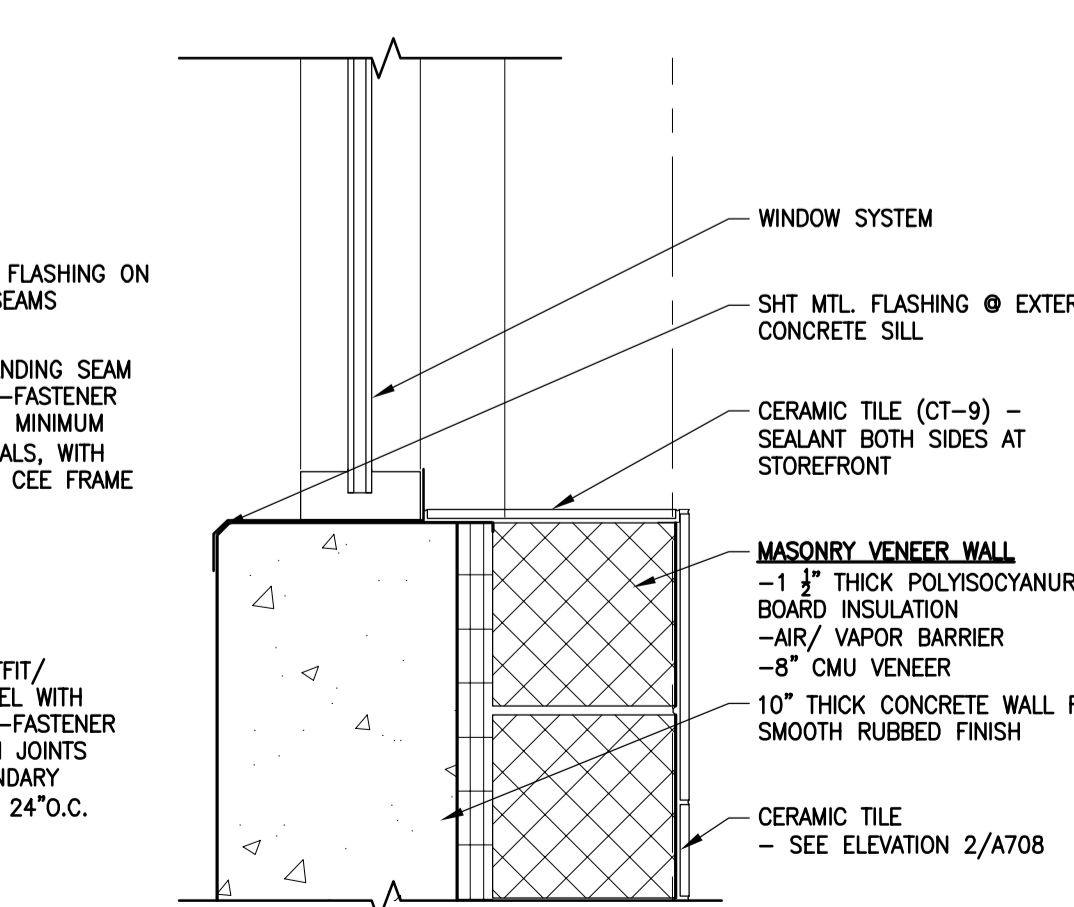
8 SECTION DETAIL  
SCALE: 1 1/2" = 1'0"



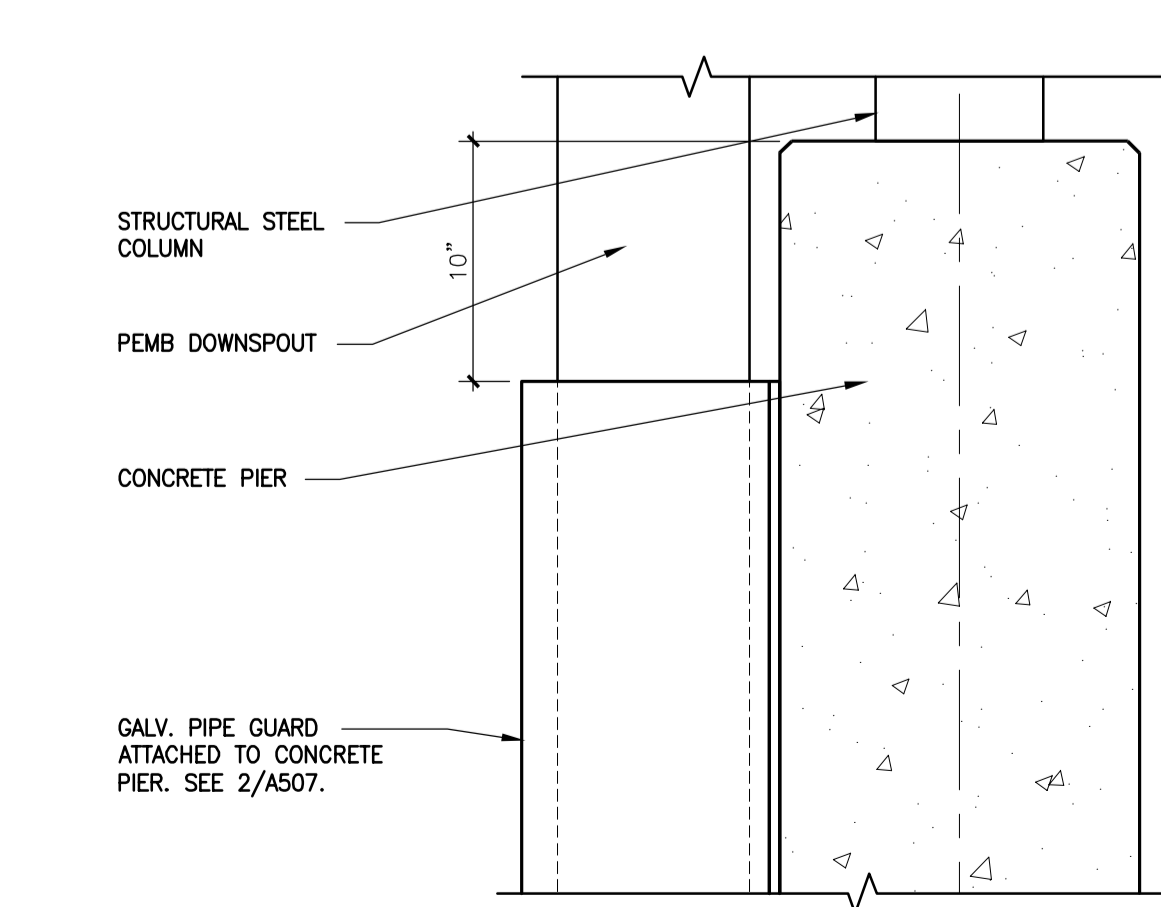
3 SECTION DETAIL  
SCALE: 1 1/2" = 1'0"



14 SECTION DETAIL  
SCALE: 1 1/2" = 1'0"



9 SECTION DETAIL  
SCALE: 1 1/2" = 1'0"



4 SECTION DETAIL  
SCALE: 1 1/2" = 1'0"

DRAWING SET	CD
COPYRIGHT	2013
FILE NAME	2013027_02-A807.DWG
REVISIONS	
DRAWN	###
CHECKED	###
DATE	10-29-13
PROJECT NO.	2013027_02
PROJECT TITLE	

ALLIANT ENERGY  
CENTER PAVILIONS  
BID # 313072

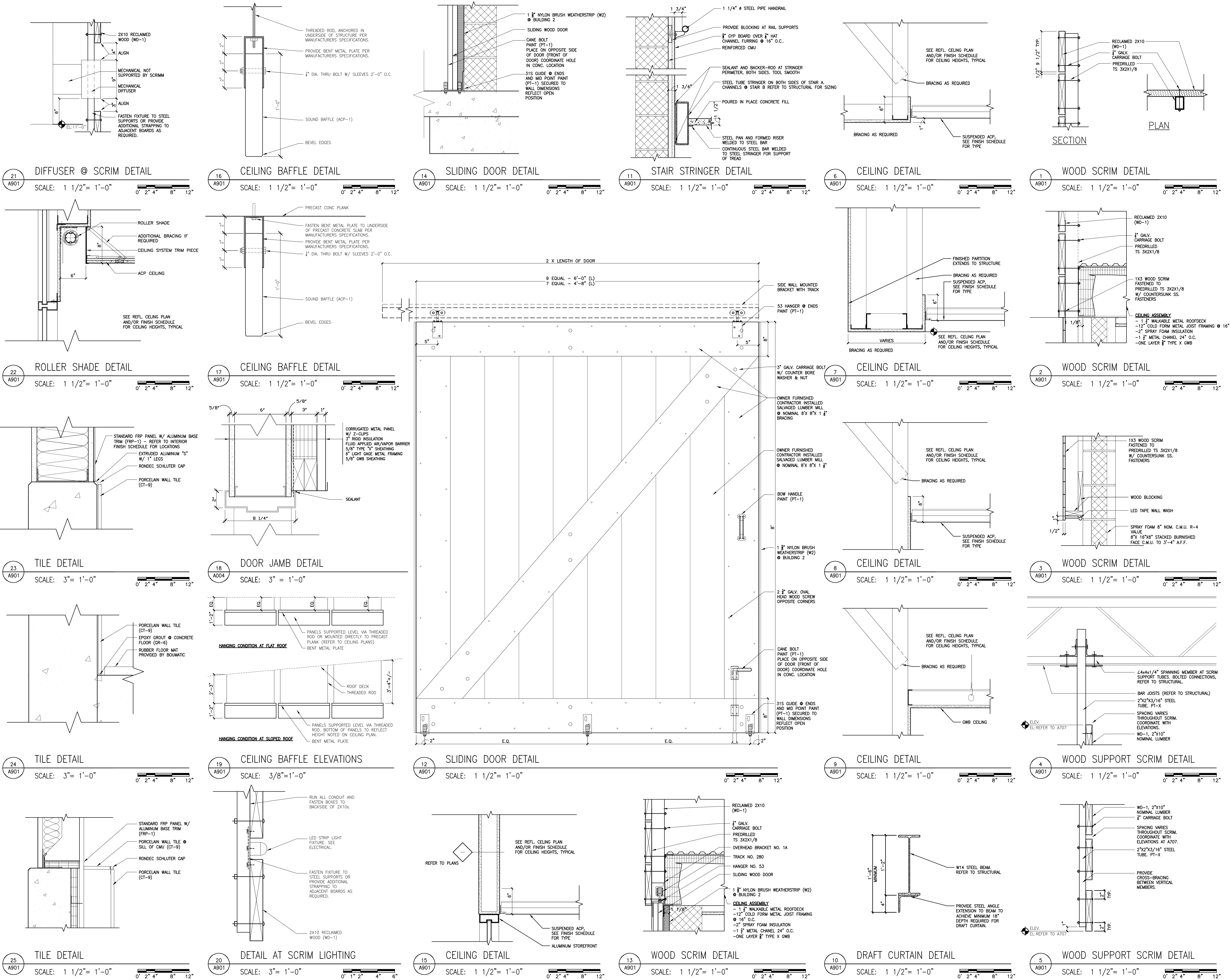
1919 ALLIANT ENERGY CENTER WAY  
MADISON, WISCONSIN 53713

SHEET TITLE

EXTERIOR DETAILS

SHEET NO.  
A807

CARLOS RUIZ 2009-10-30 2:27 PM K:\2013\01\3027 - ALLIANT ENERGY CENTER LIFESTOCK & EXHIBITION SPACE EXPANSION\2013027\_02 - ALLIANT ENERGY CENTER LIFESTOCK & EXHIBITION HALL\DRAWINGS\2013027\_02-A807.DWG



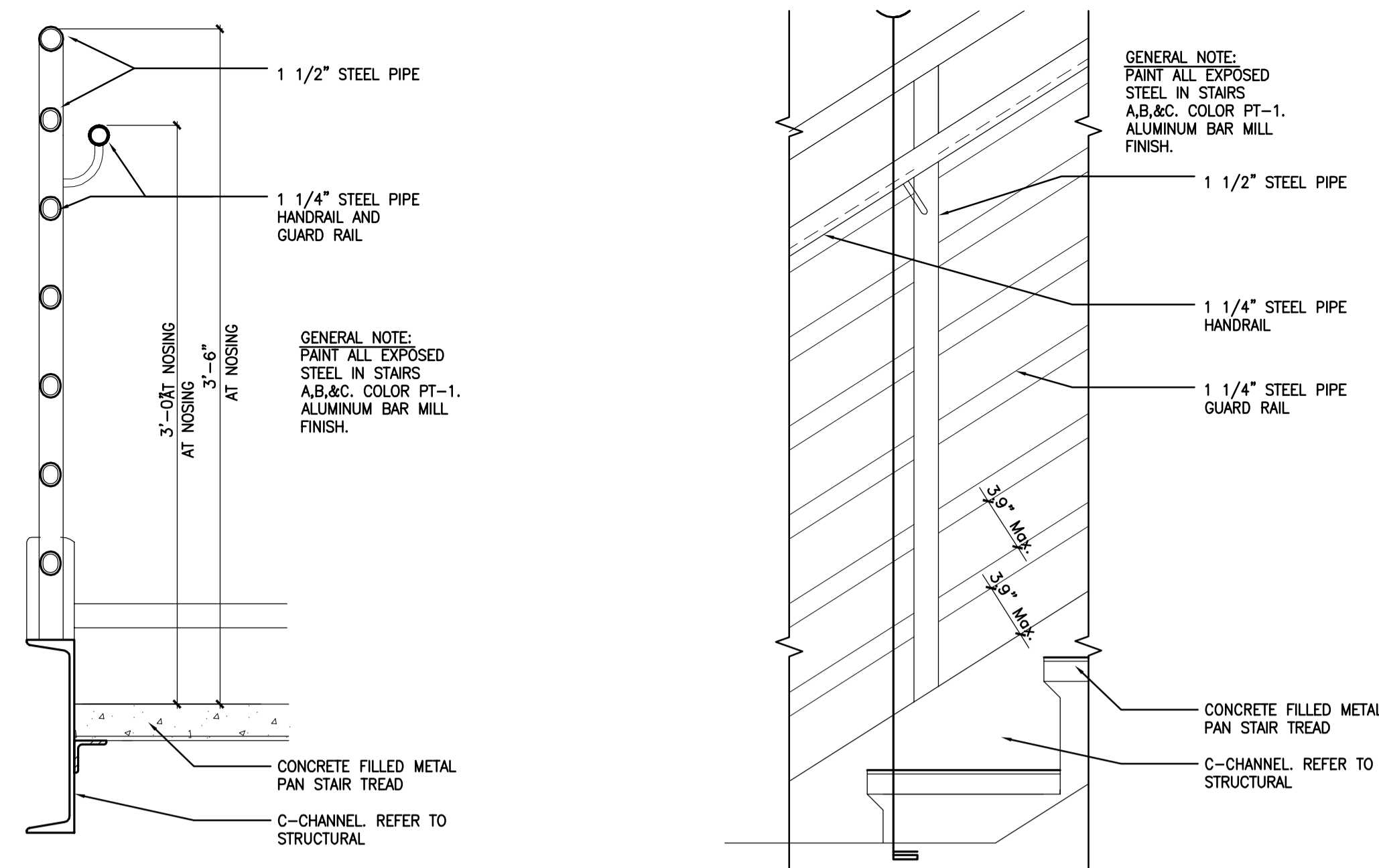
DRAWING SET	CD
COPYRIGHT	2013
FILE NAME	2013027_02-A901.DWG
REVISIONS	
DRAWN	IR
CHECKED	RG
DATE	10-29-13
PROJECT NO.	2013027_02
PROJECT TITLE	

ALLIANT ENERGY  
CENTER PAVILIONS  
BID # 313072

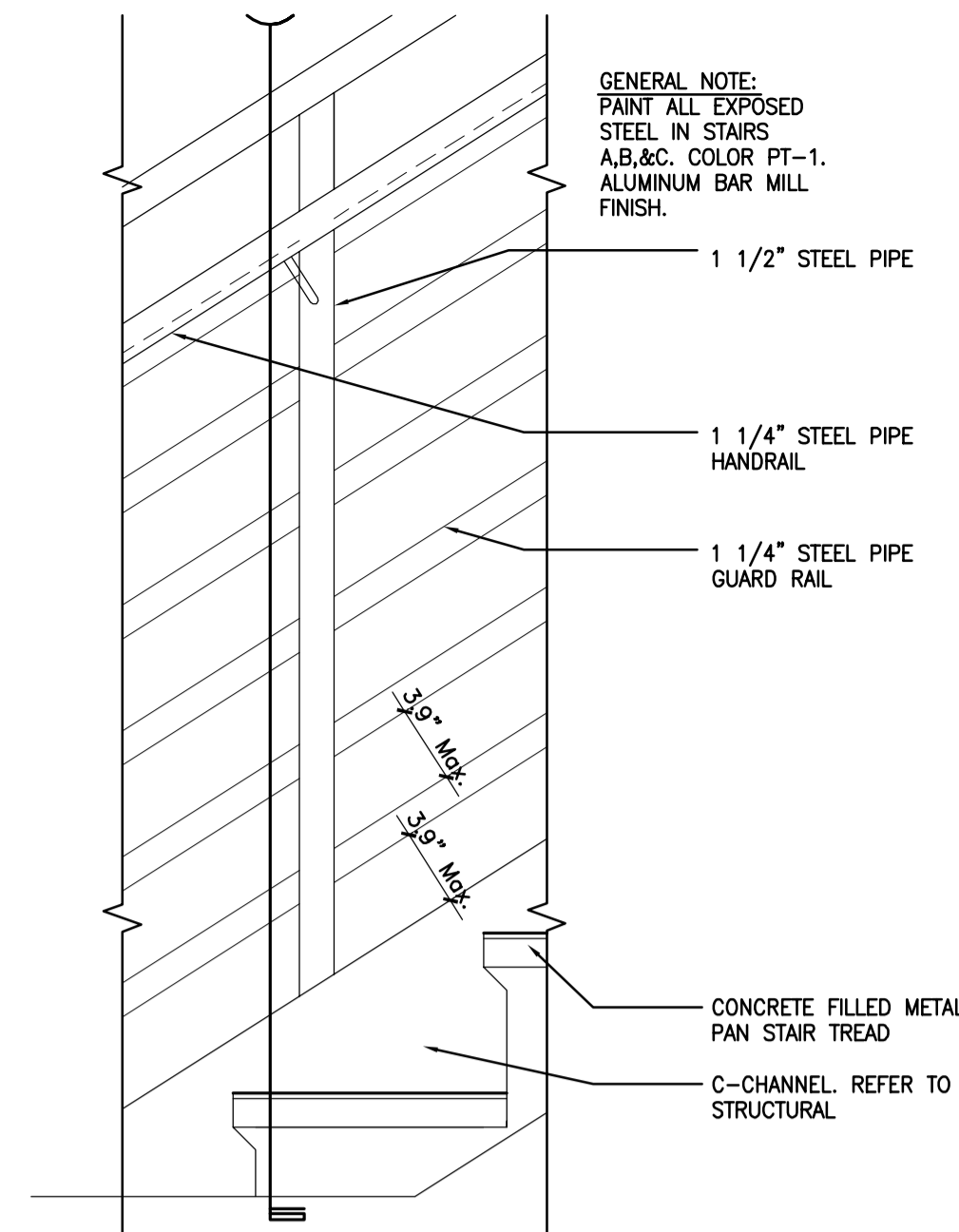
1919 ALLIANT ENERGY CENTER WAY  
MADISON, WISCONSIN 53713

SHEET TITLE  
**INTERIOR DETAILS**

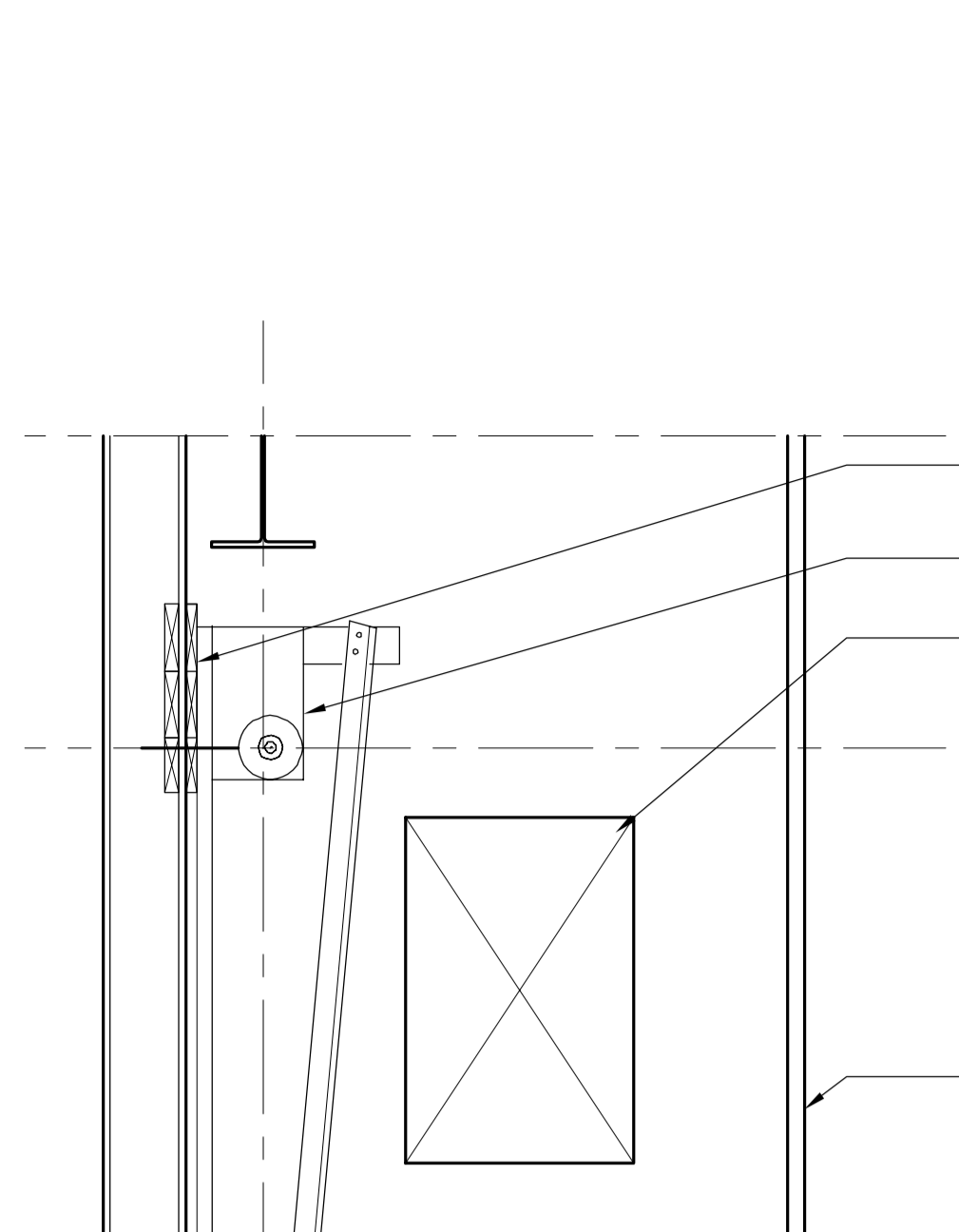
SHEET NO.  
**A901**



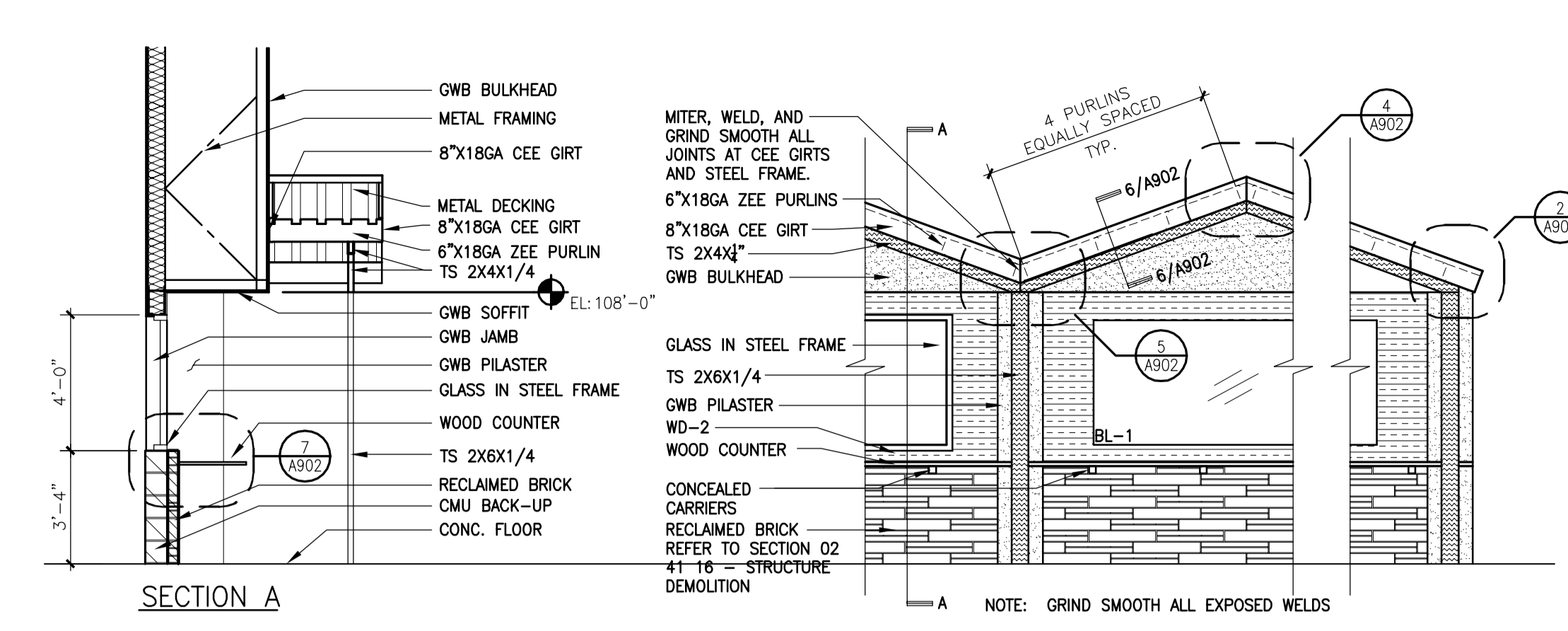
21 A902 STEEL PIPE GUARD RAIL - STAIR B  
SCALE: 1 1/2" = 1'-0"



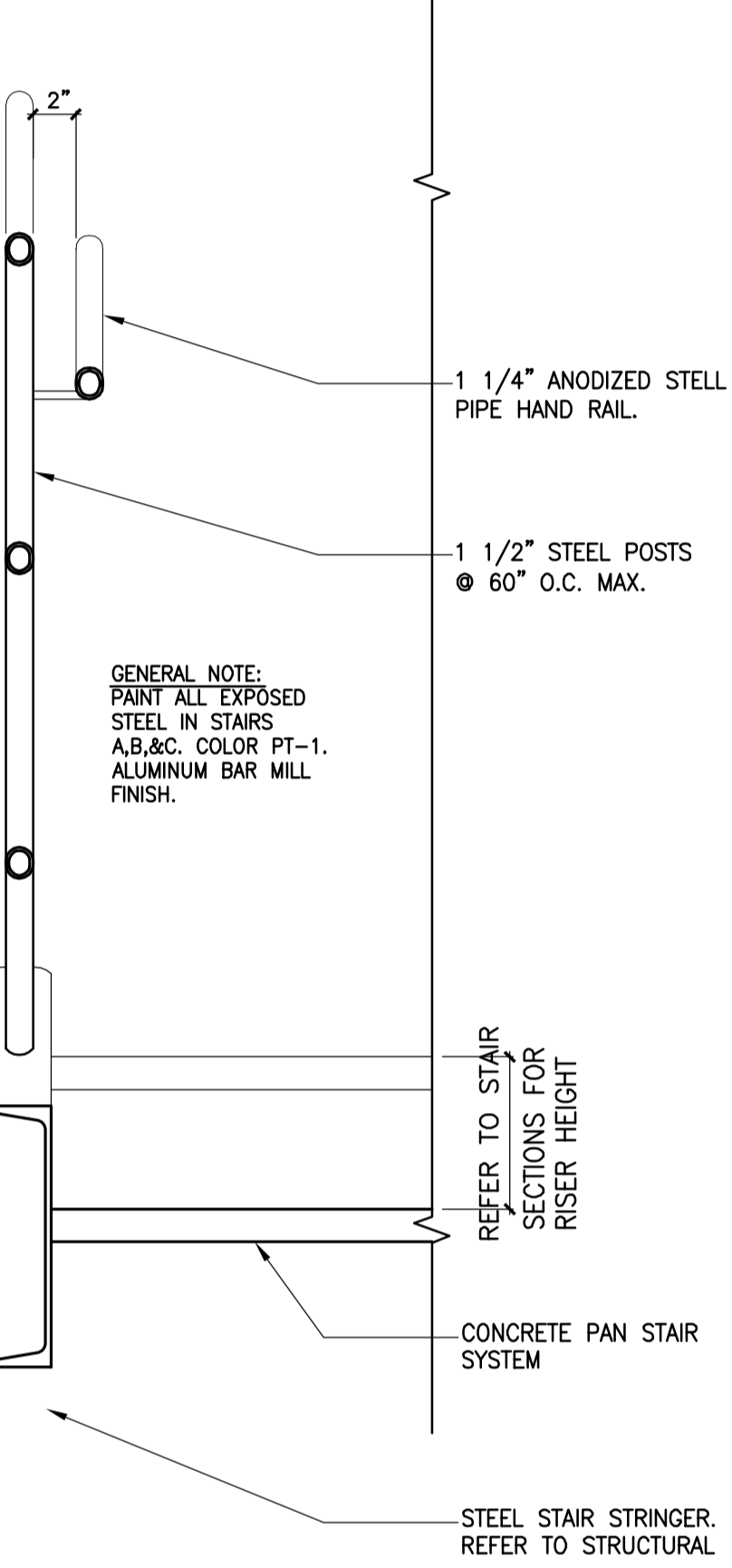
18 A902 STEEL PIPE GUARD RAIL - STAIR B  
SCALE: 1 1/2" = 1'-0"



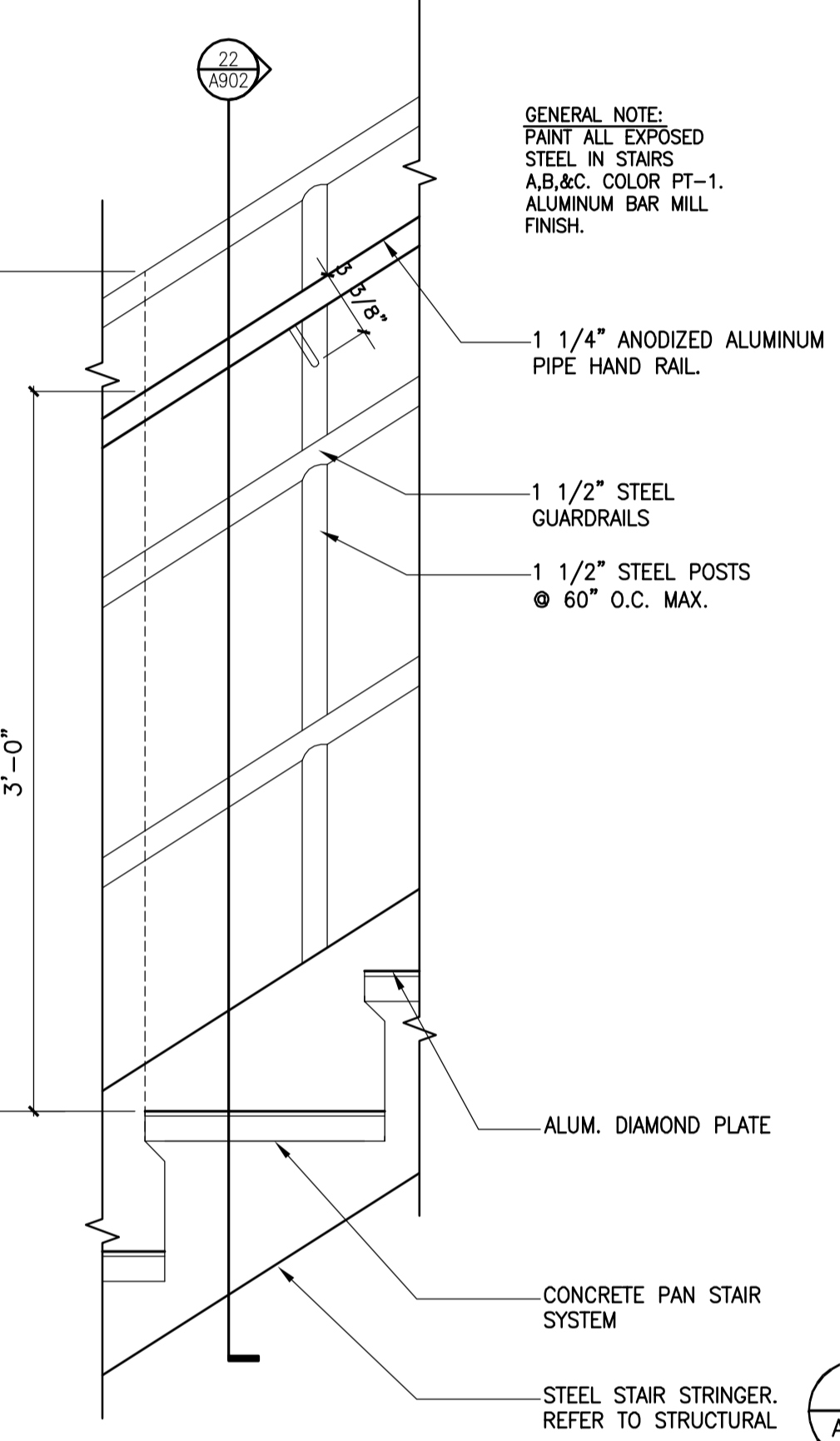
10 A902 NOT USED  
SCALE: 1 1/2" = 1'-0"



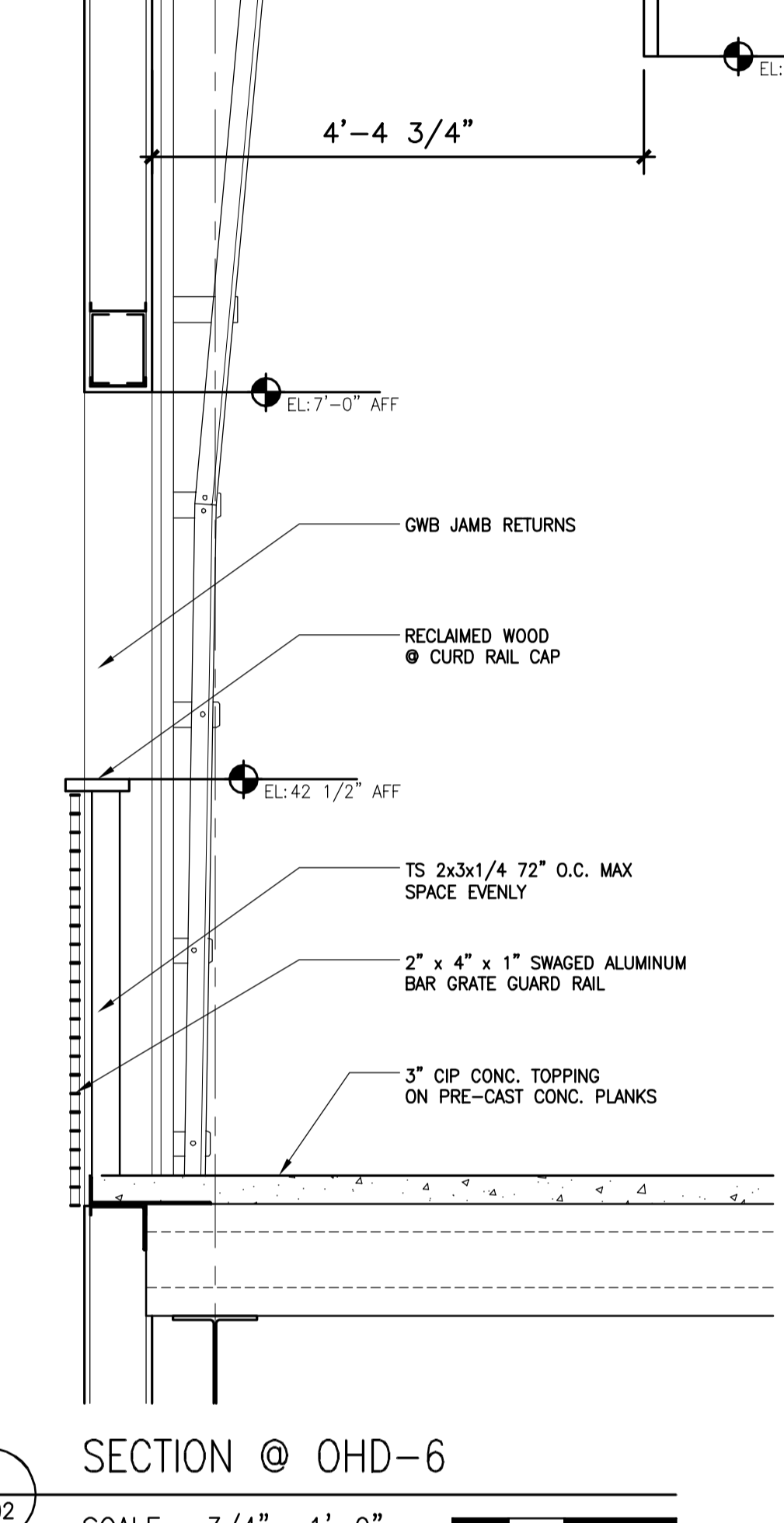
1 A902 SECTION/ ELEVATION  
SCALE: 1/4" = 1'-0"



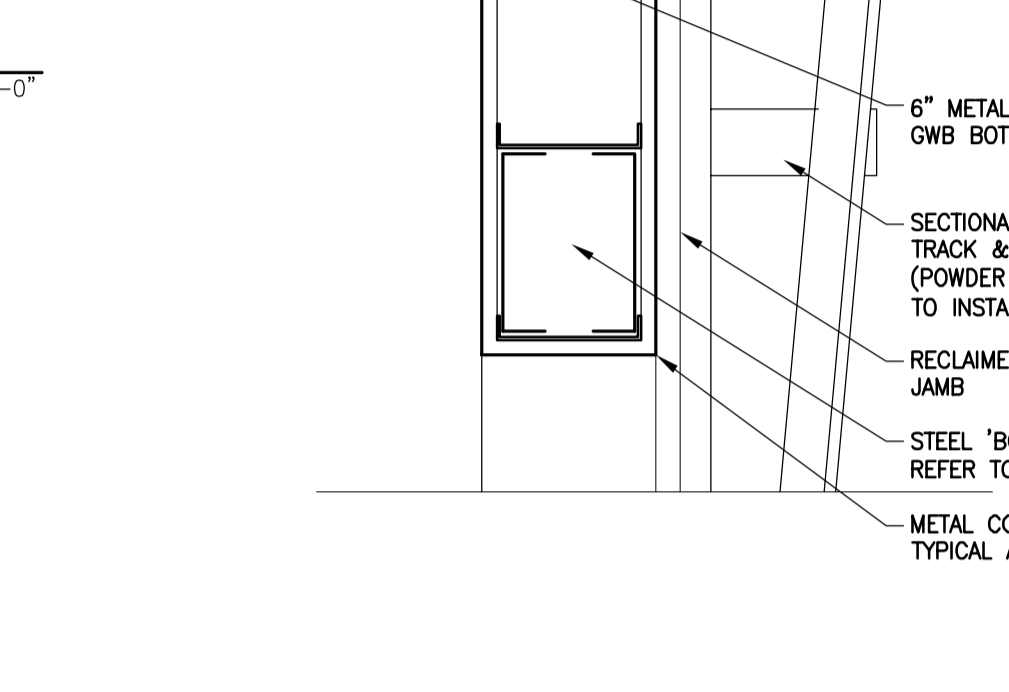
22 A902 PIPE GUARD RAIL - STAIR C  
SCALE: 1 1/2" = 1'-0"



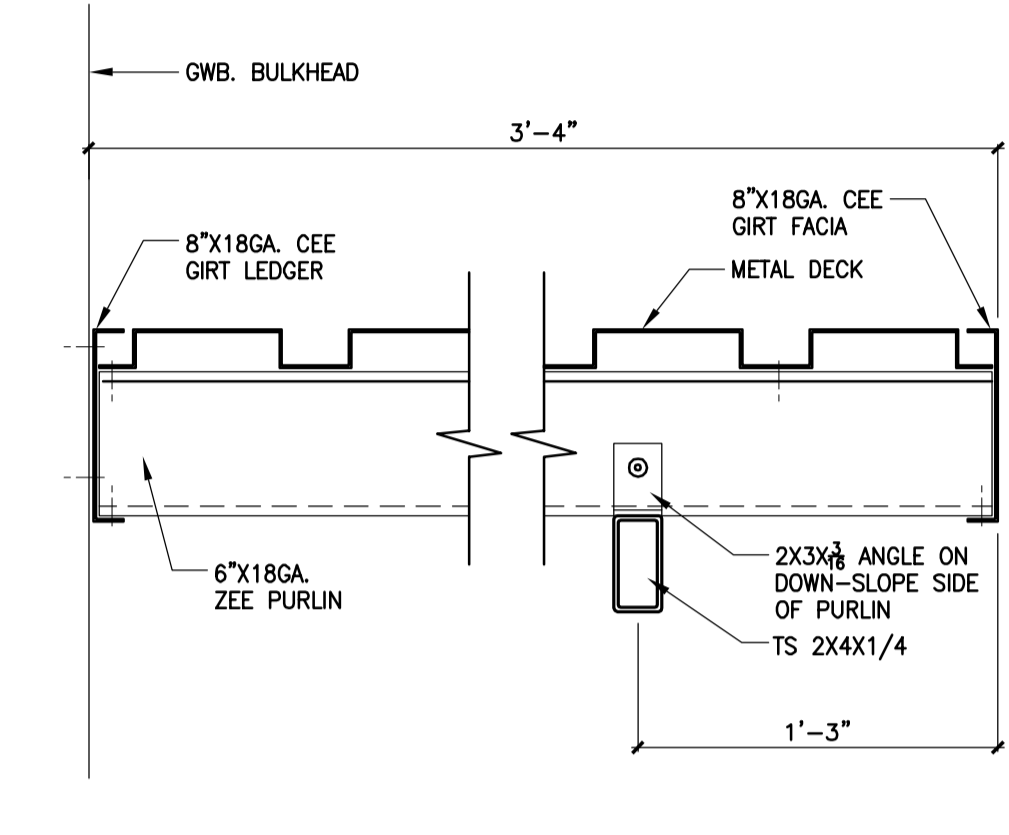
19 A902 PIPE GUARD RAIL - STAIR C  
SCALE: 1 1/2" = 1'-0"



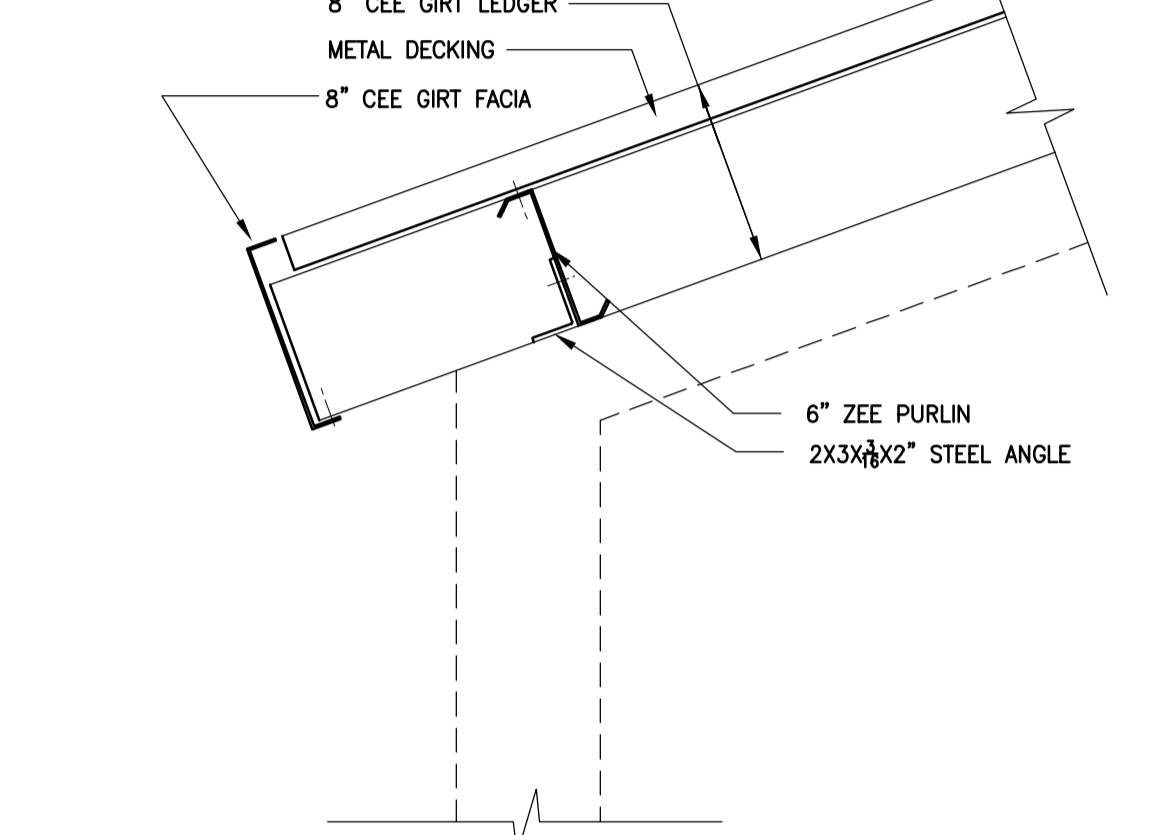
15 A902 SECTION @ OHD-6  
SCALE: 3/4" = 1'-0"



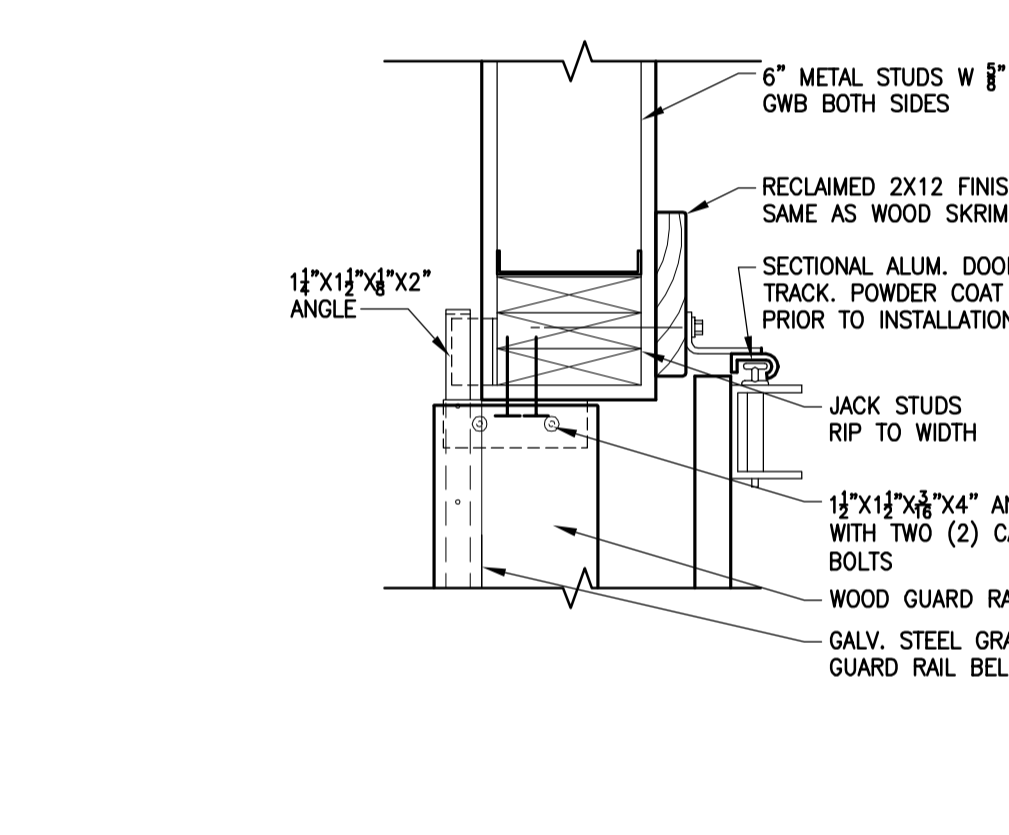
11 A902 JAMB DETAIL @ OHD-6  
SCALE: 1 1/2" = 1'-0"



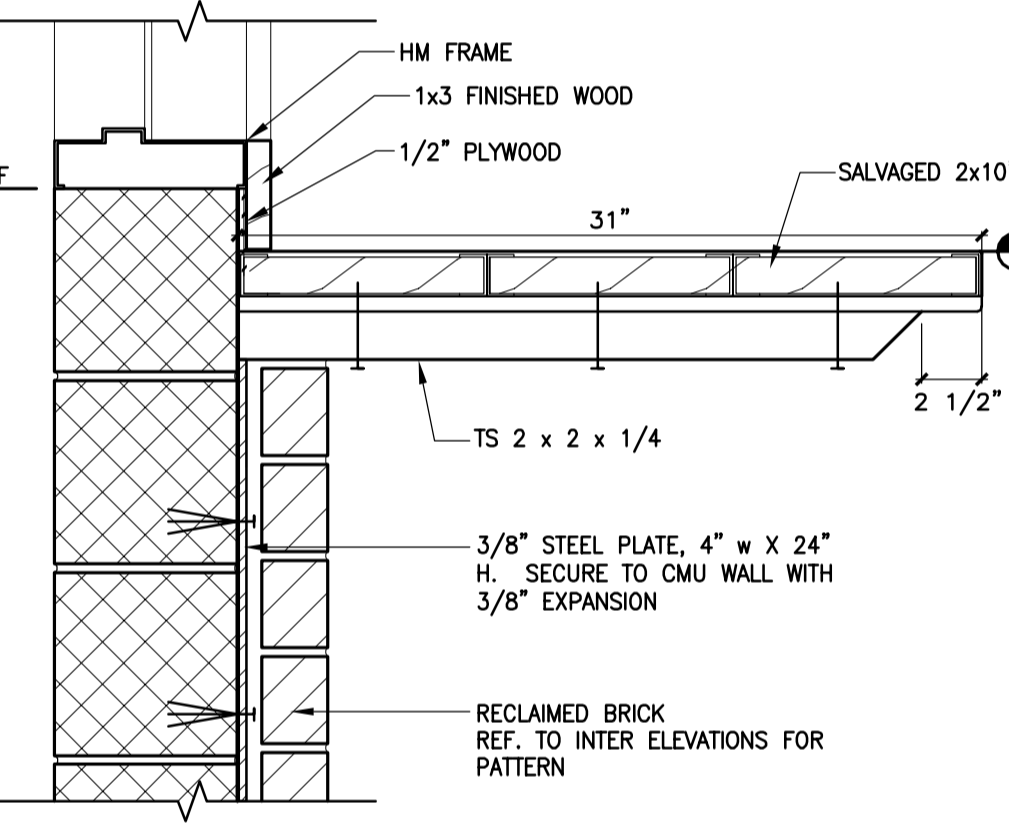
6 A902 CANOPY SECTION DETAIL  
SCALE: 1 1/2" = 1'-0"



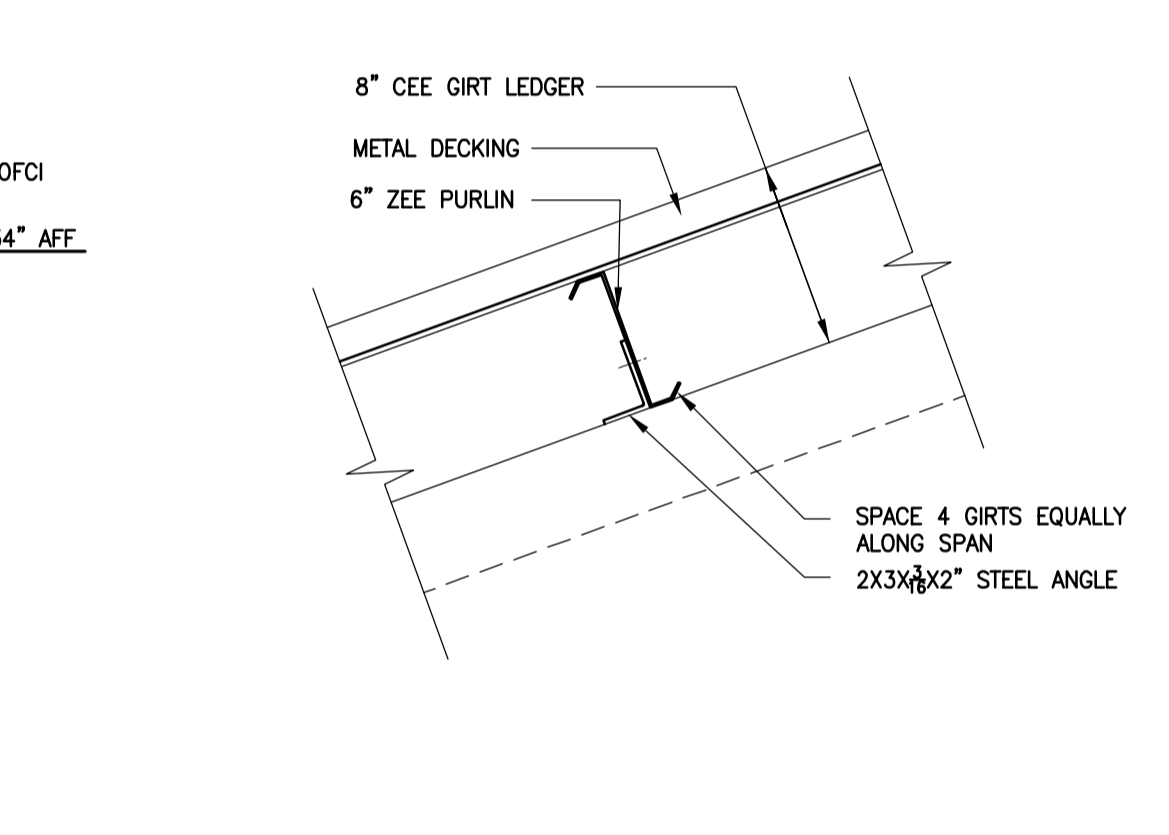
2 A902 CANOPY EAVE DETAIL  
SCALE: 1 1/2" = 1'-0"



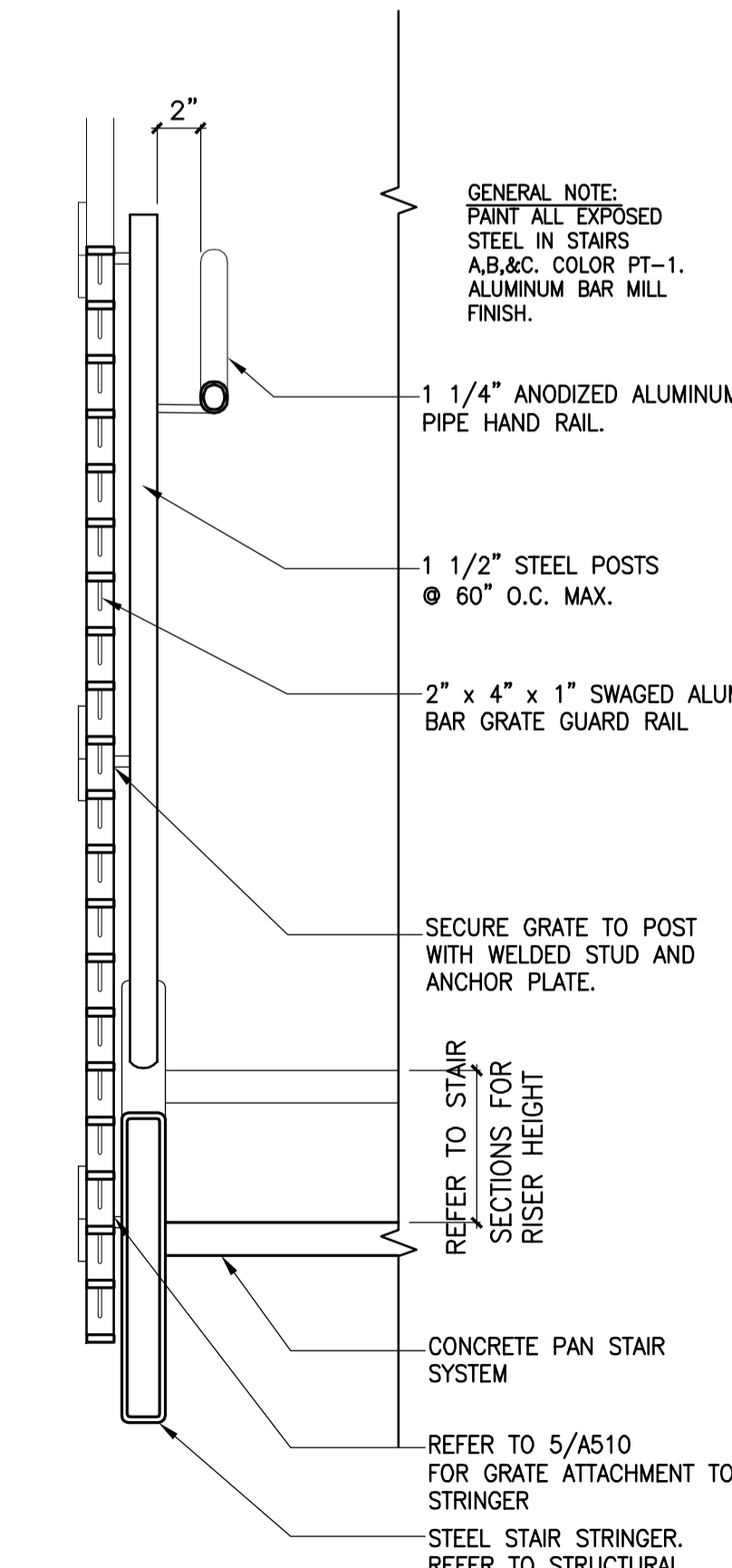
12 A902 DETAIL AT COUNTER  
SCALE: 1 1/2" = 1'-0"



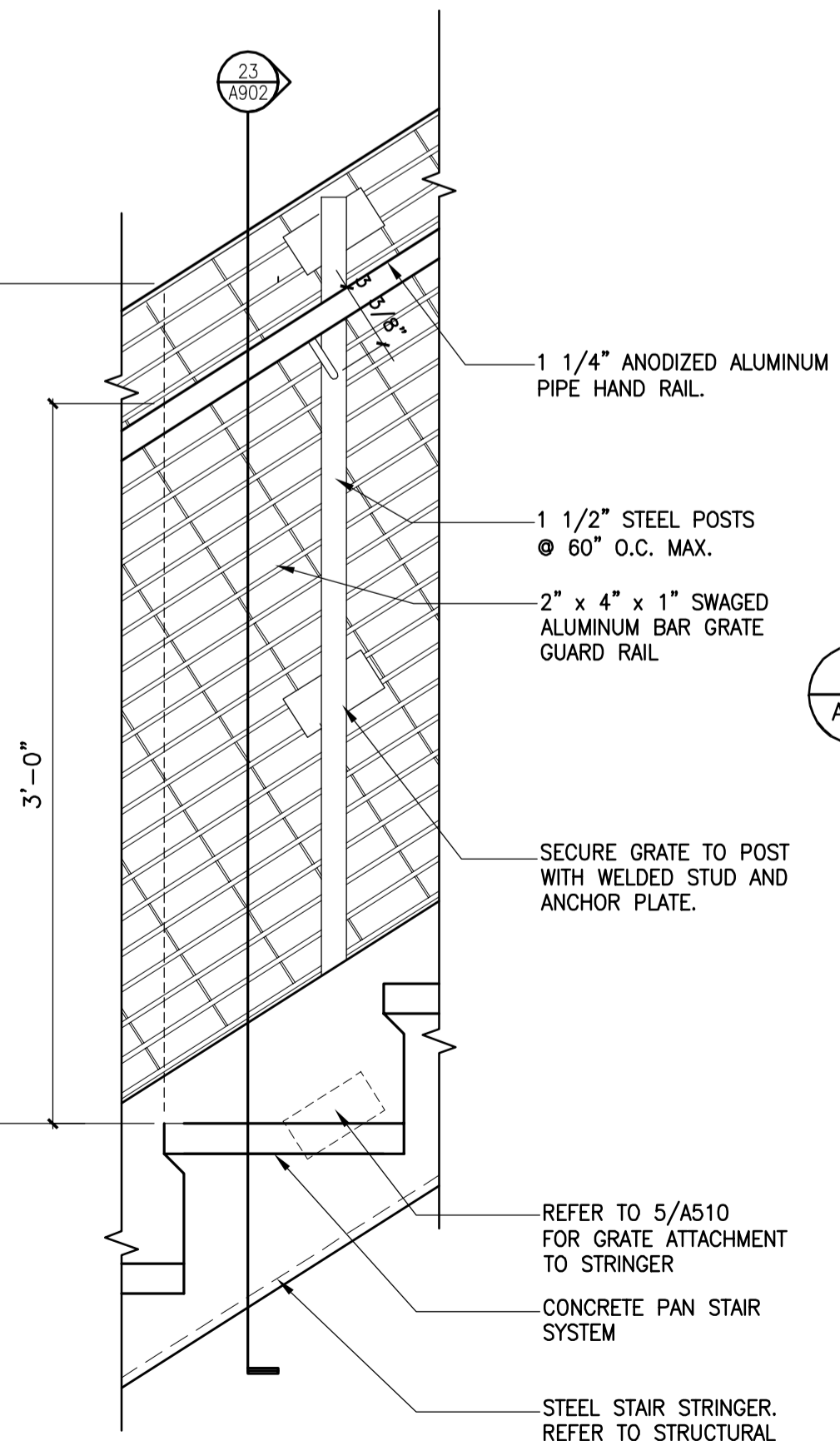
7 A902 INTERMEDIATE PURLIN DETAIL  
SCALE: 1 1/2" = 1'-0"



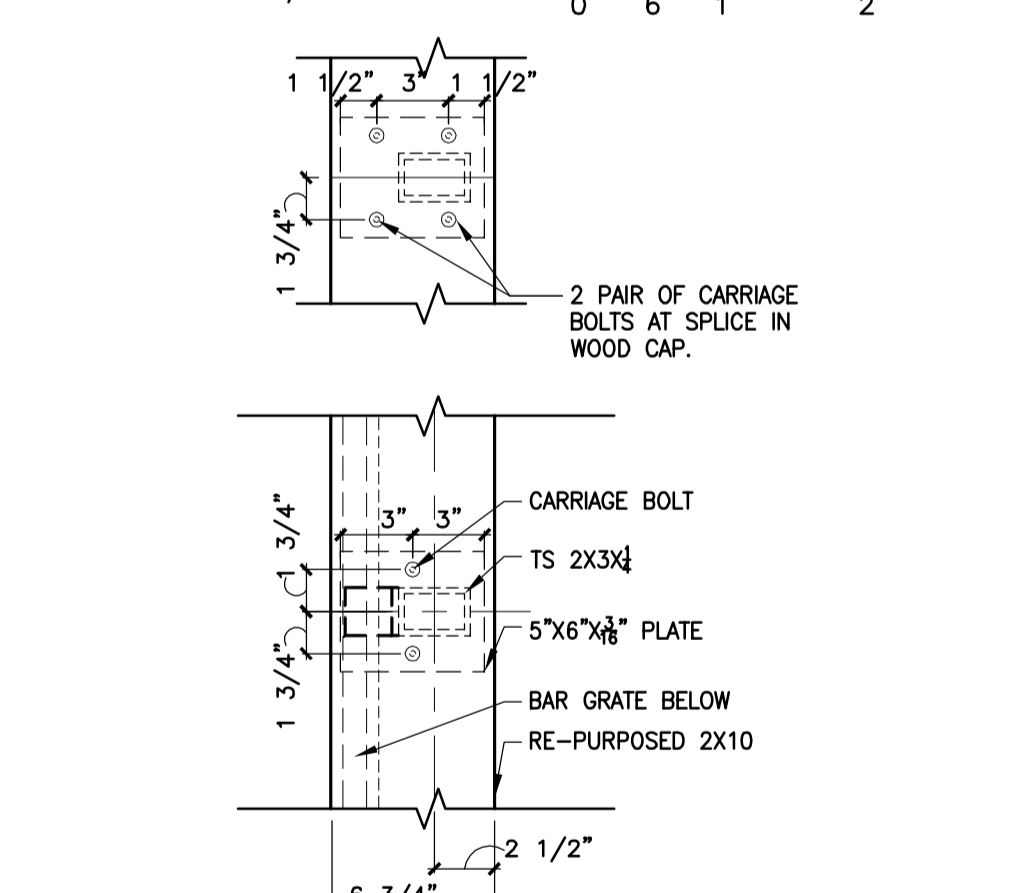
3 A902 CANOPY RIDGE DETAIL  
SCALE: 1 1/2" = 1'-0"



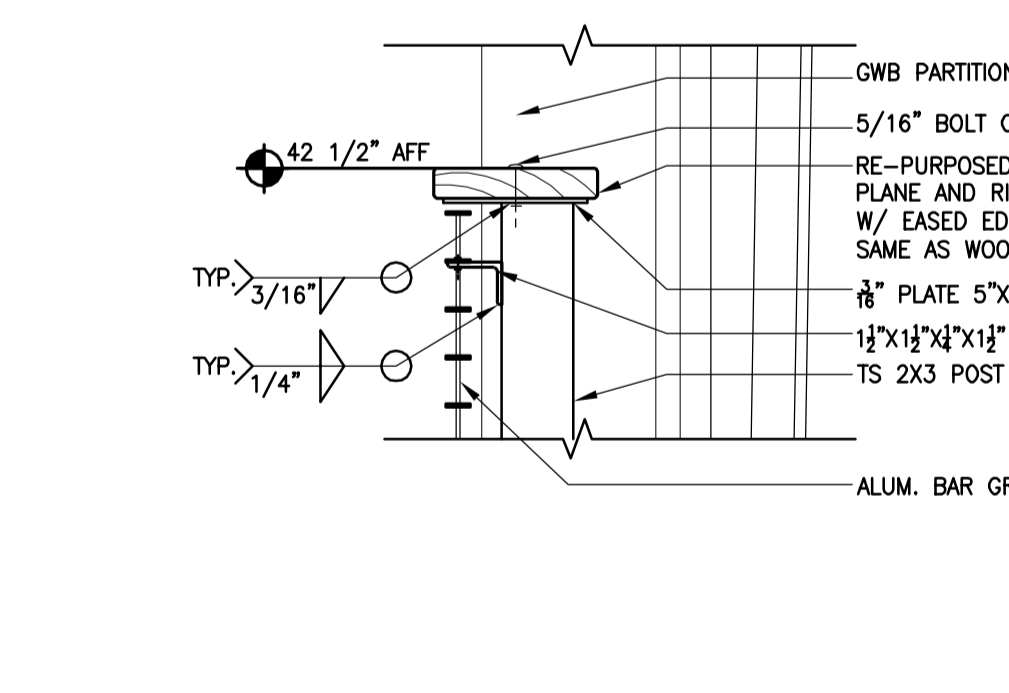
23 A902 ALUM. GRATE GUARD RAIL - STAIR A  
SCALE: 1 1/2" = 1'-0"



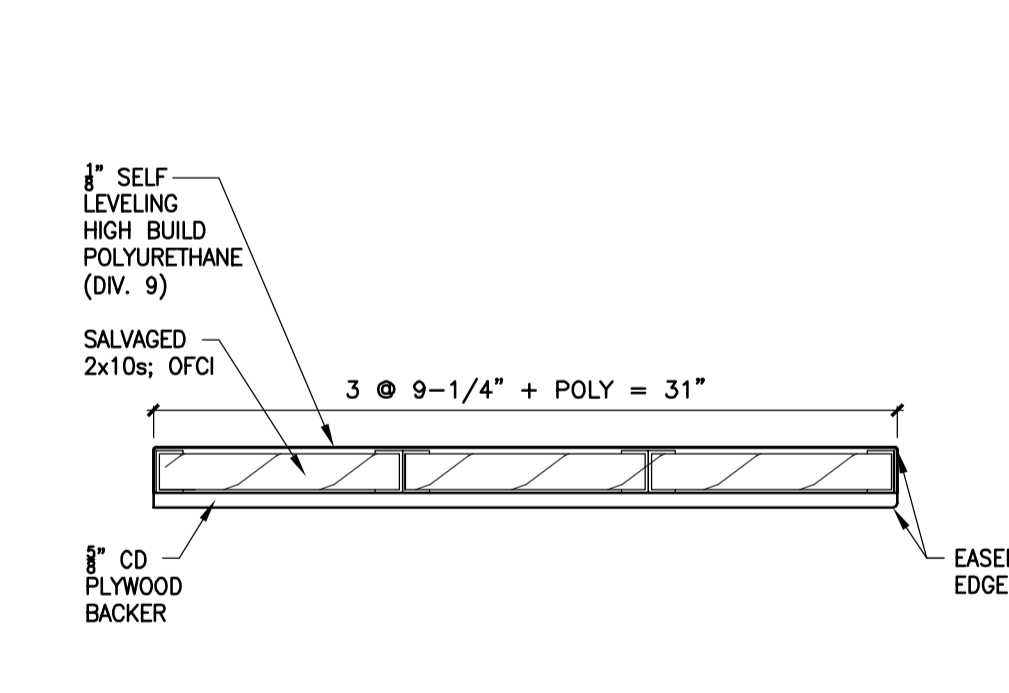
20 A902 ALUM. GRATE GUARD RAIL - STAIR A  
SCALE: 1 1/2" = 1'-0"



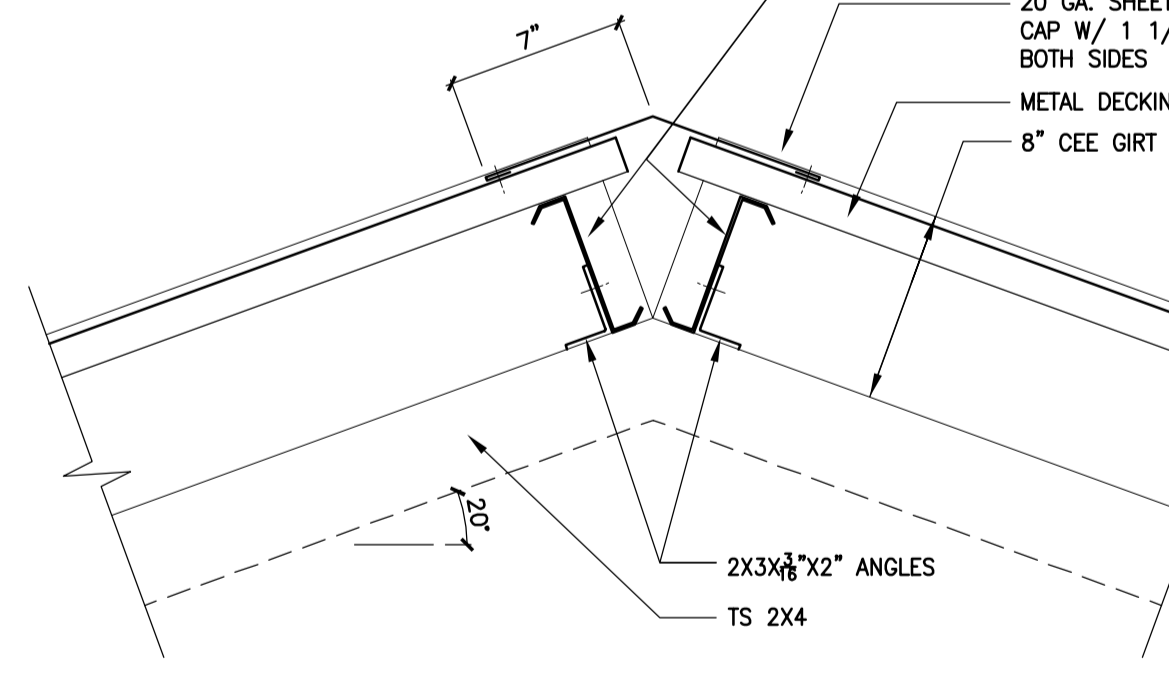
16 A902 PLAN DETAIL @ GUARD RAIL  
SCALE: 1 1/2" = 1'-0"



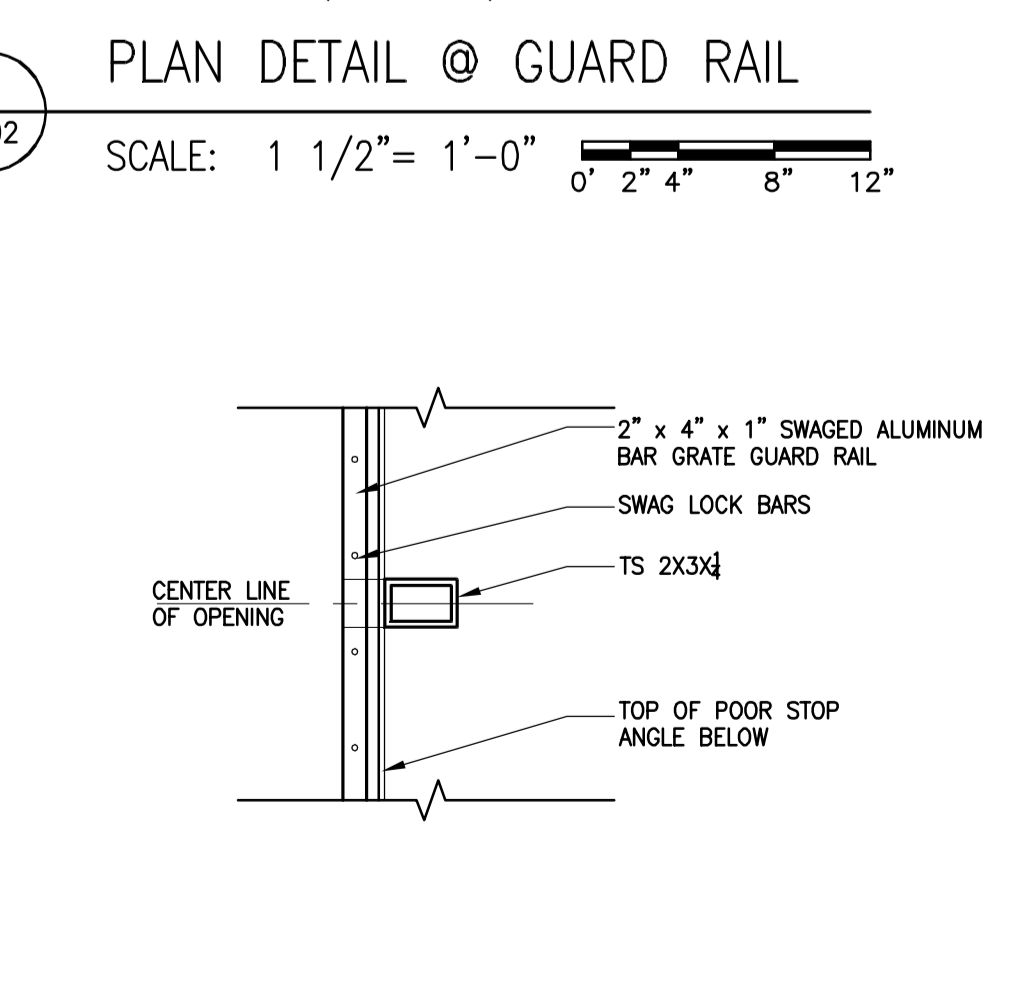
13 A902 DETAIL @ TOP OF GUARD RAIL  
SCALE: 1 1/2" = 1'-0"



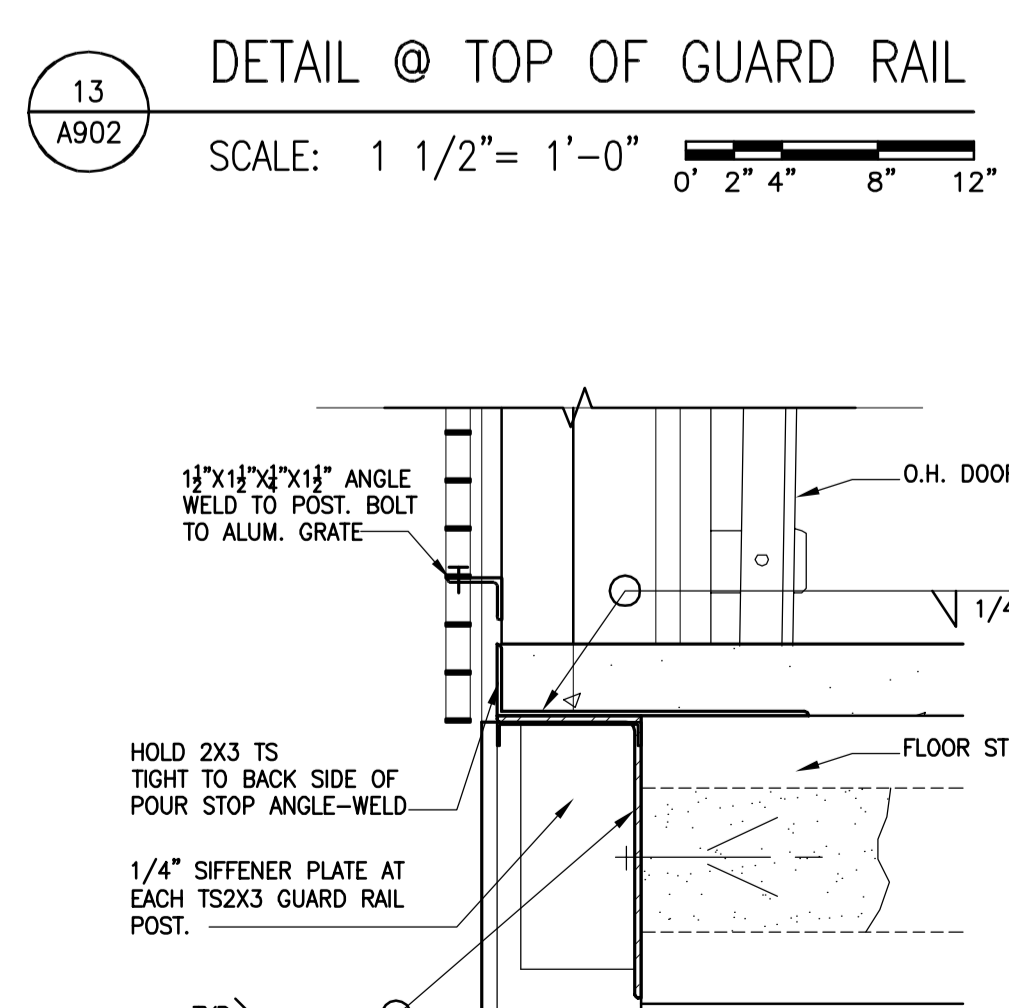
8 A902 NOT USED  
SCALE: 1 1/2" = 1'-0"



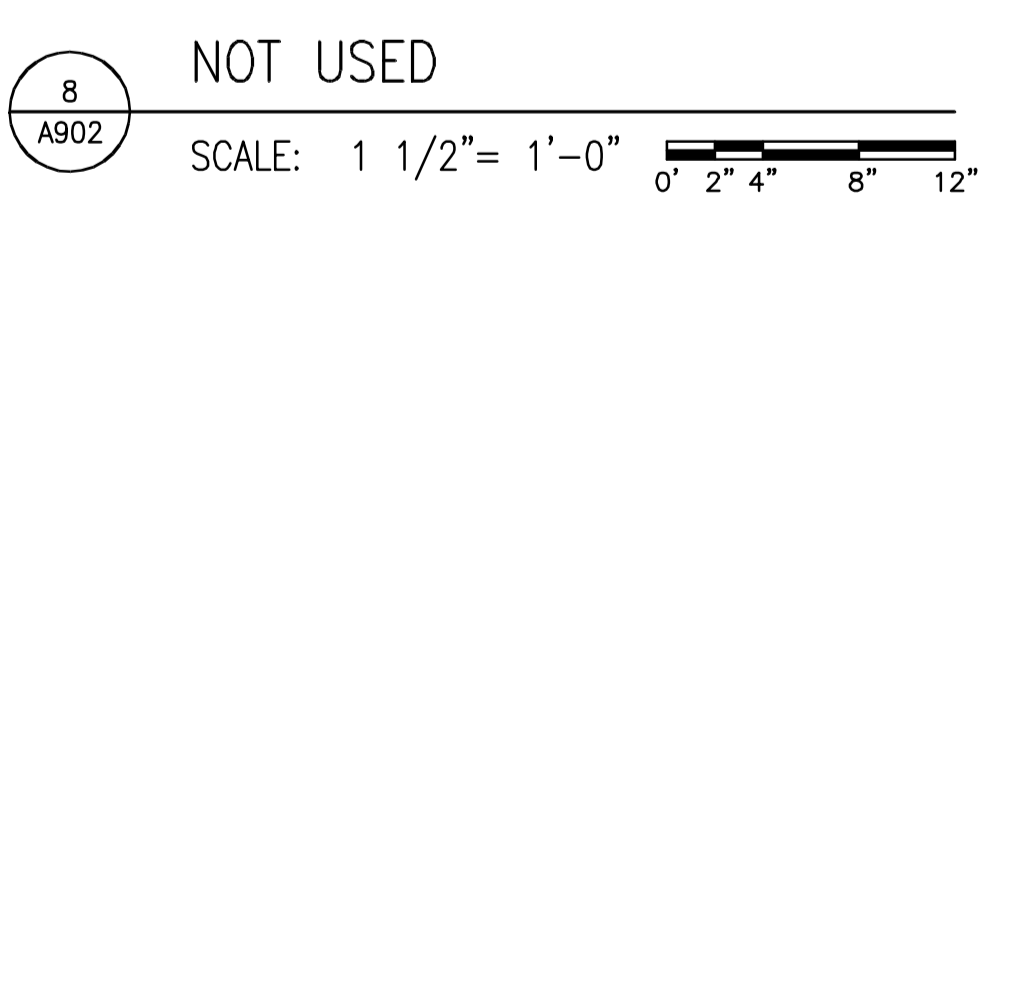
4 A902 CANOPY VALLEY DETAIL  
SCALE: 1 1/2" = 1'-0"



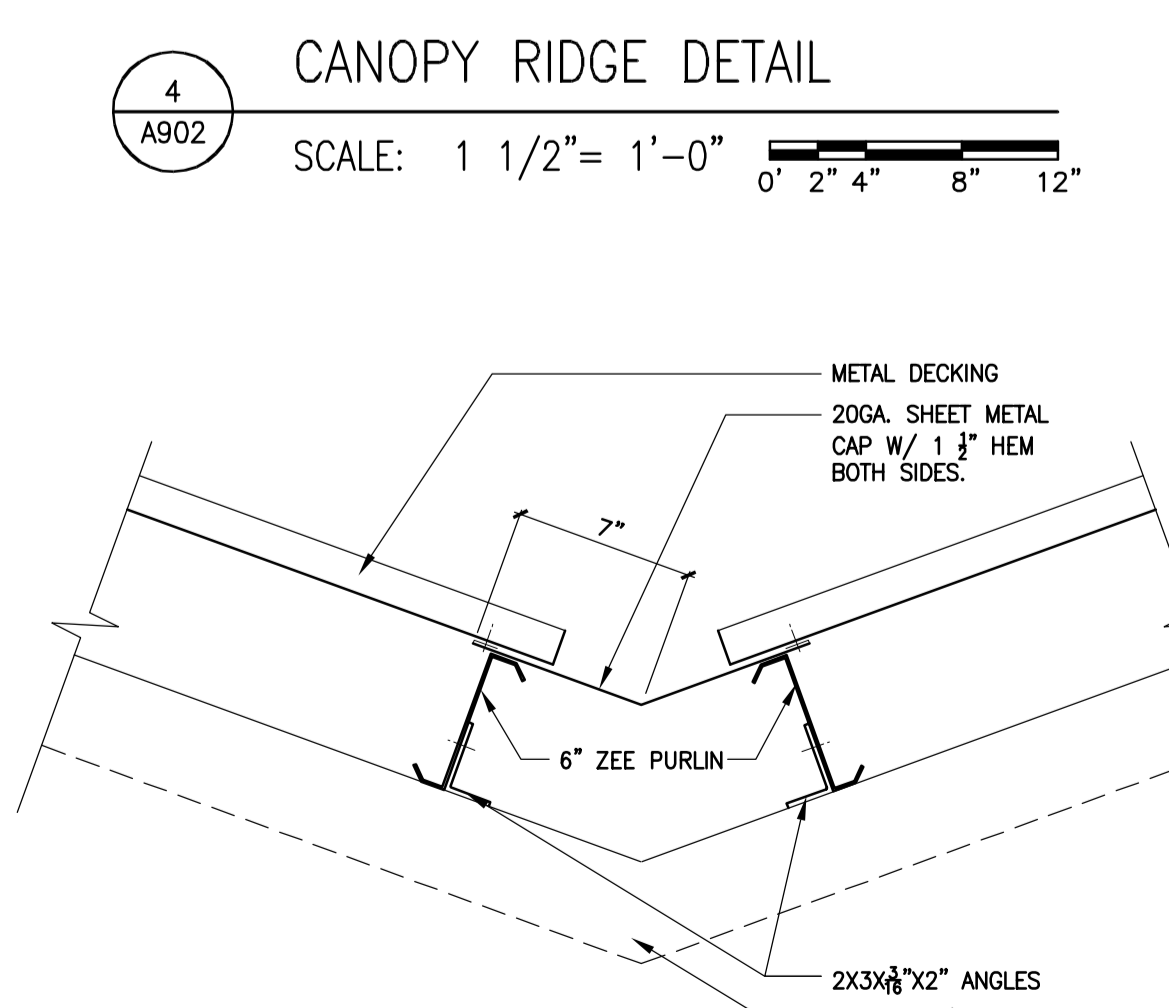
17 A902 PLAN DETAIL @ POST  
SCALE: 1 1/2" = 1'-0"



14 A902 SILL DETAIL @ OHD-6  
SCALE: 1 1/2" = 1'-0"



9 A902 NOT USED  
SCALE: 1 1/2" = 1'-0"



5 A902 CANOPY VALLEY DETAIL  
SCALE: 1 1/2" = 1'-0"

DRAWING SET	CD
COPYRIGHT	2013
FILE NAME	2013027_02-A902.DWG
REVISIONS	

DRAWN	IR
CHECKED	DH
DATE	10-29-13
PROJECT NO.	2013027_02
PROJECT TITLE	

ALLIANT ENERGY CENTER PAVILIONS  
BID # 313072

1919 ALLIANT ENERGY CENTER WAY  
MADISON, WISCONSIN 53713

SHEET TITLE  
INTERIOR DETAILS

SHEET NO.  
A902

CARLOS RUIZ, 2013.7.30, 12:59 PM K:\2013027\_02 - ALLIANT ENERGY CENTER - JUST DOK AND EXHIBITION HALL DRAWINGS\2013027\_02-A902.DWG