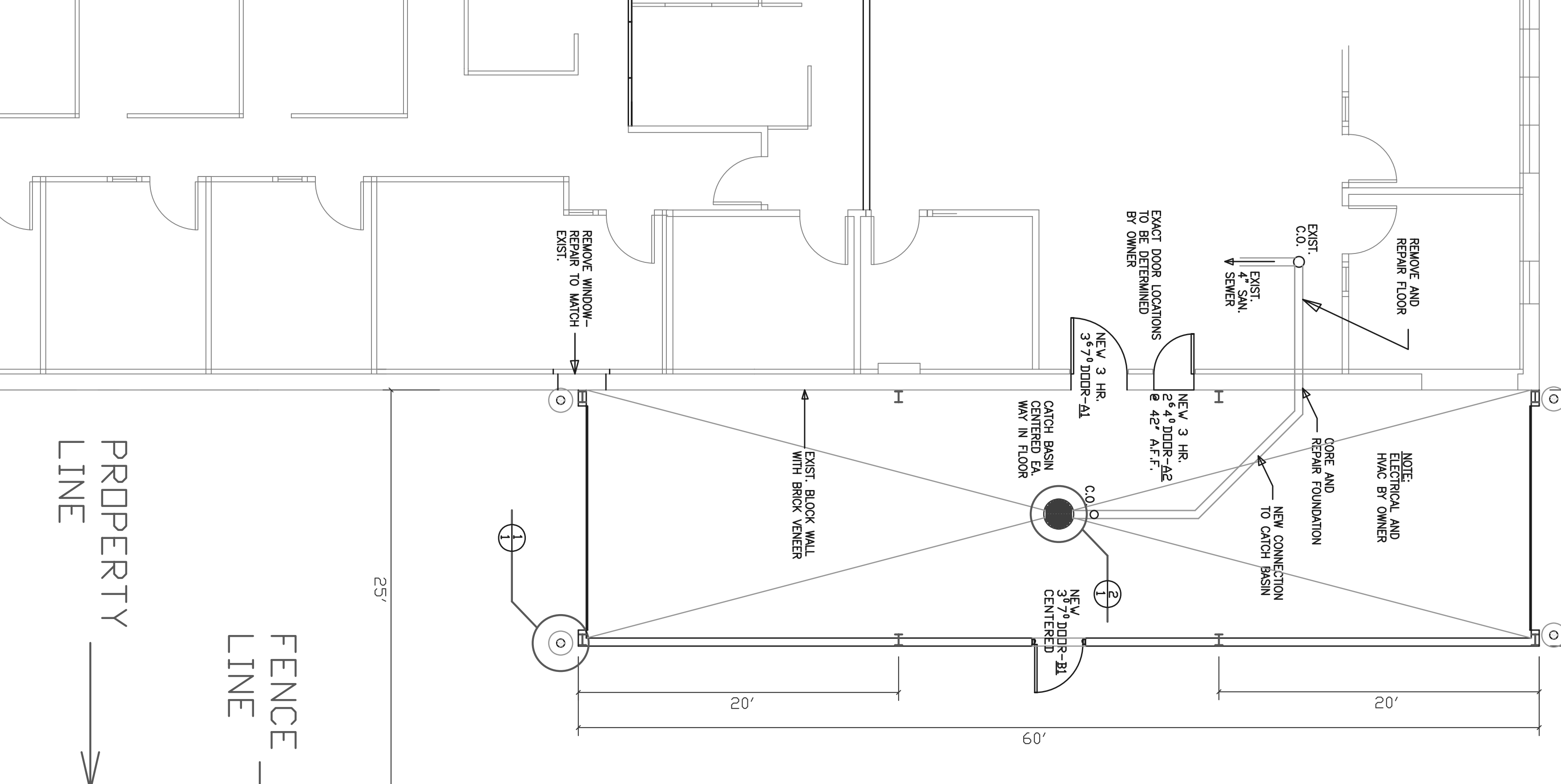


ABERG AVE.

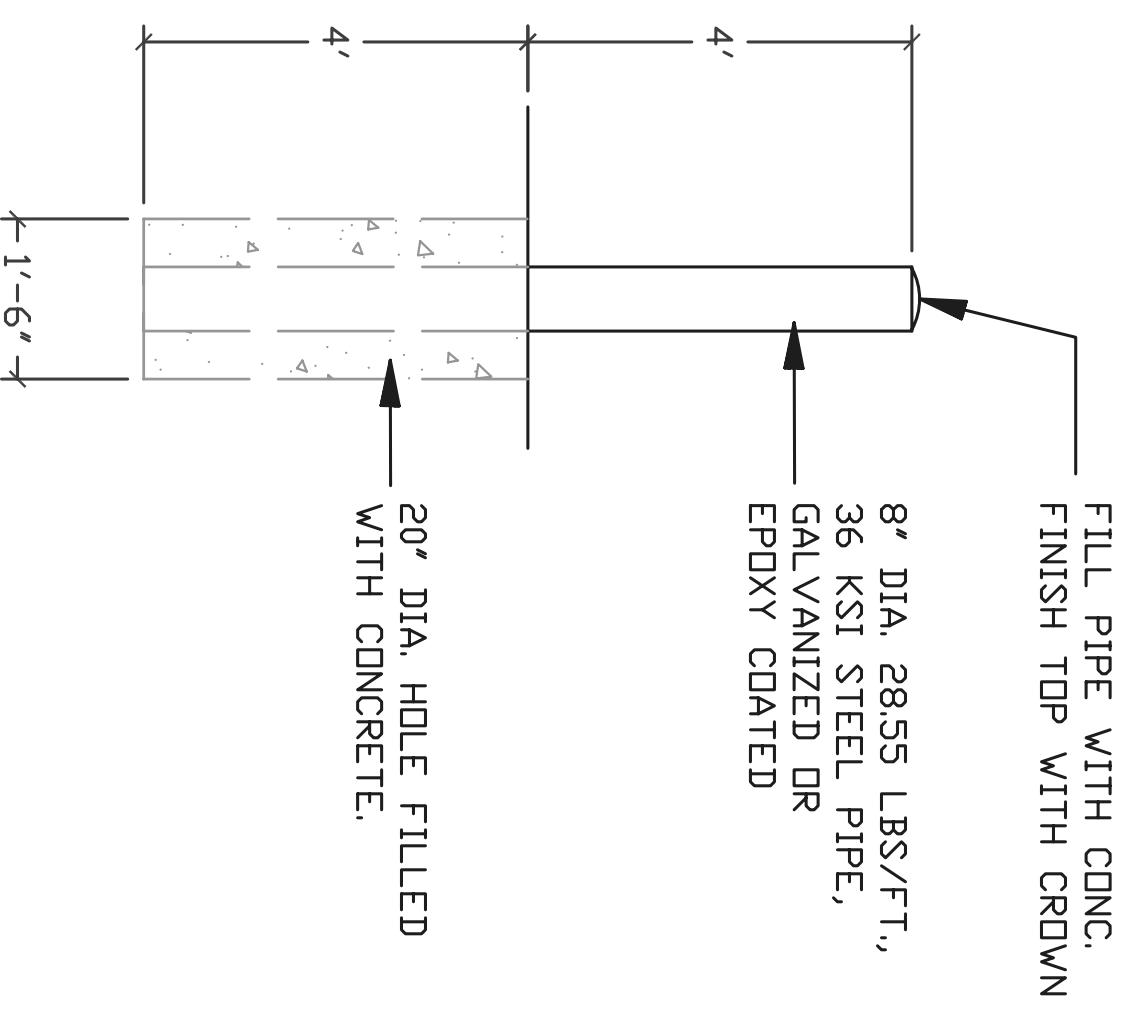
EXIST. BLDG.



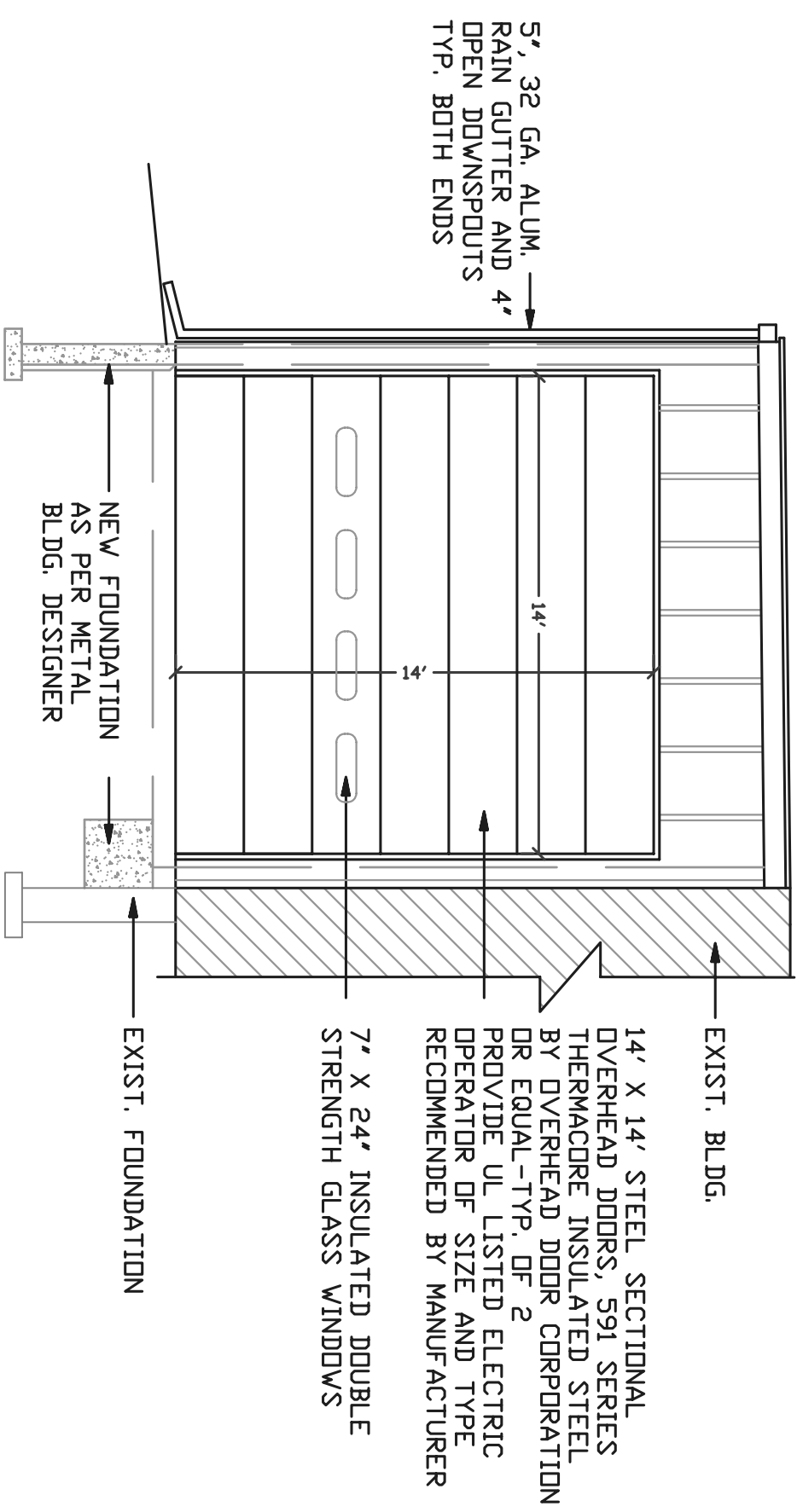
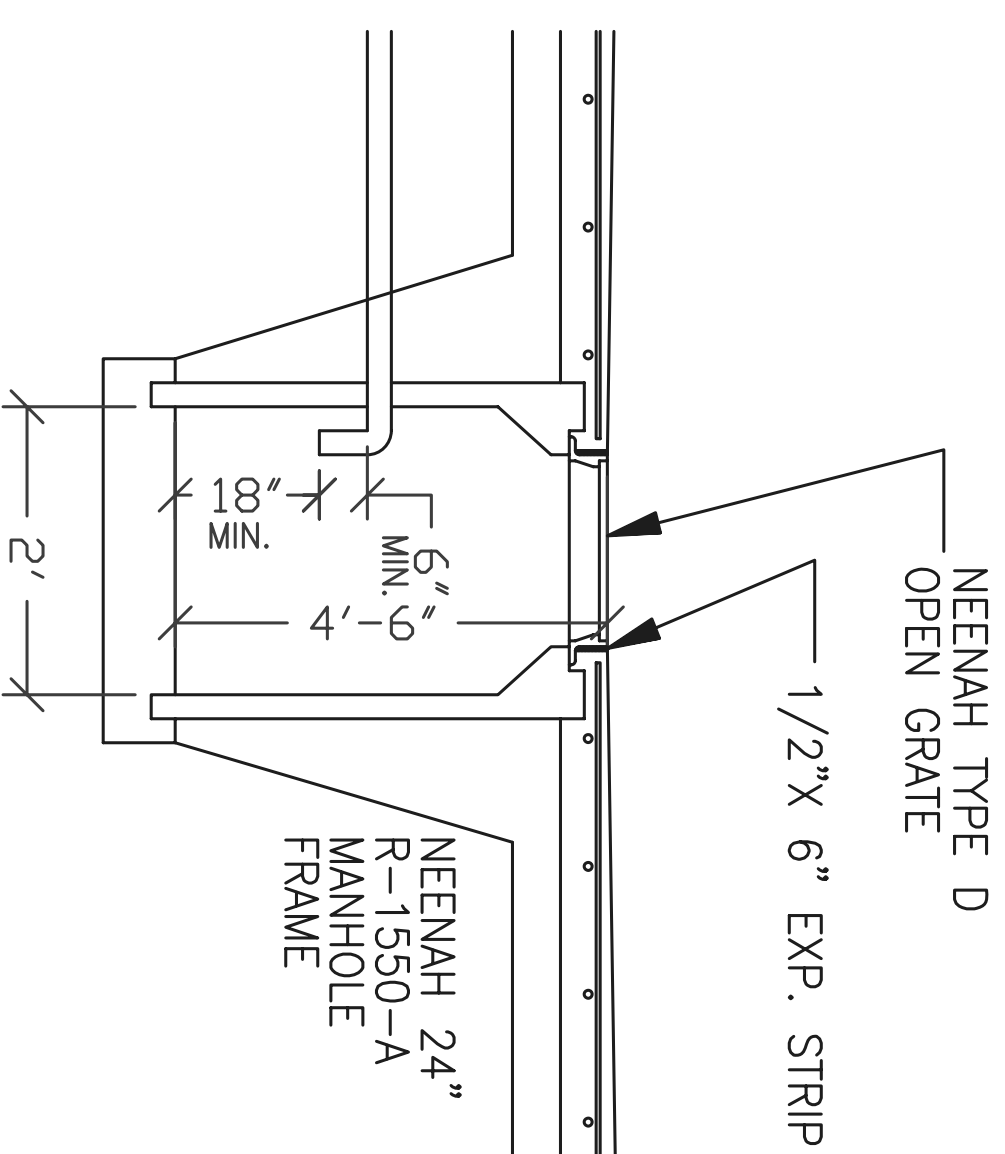
SITE PLAN  
SCALE: 3/16" = 1'-0"



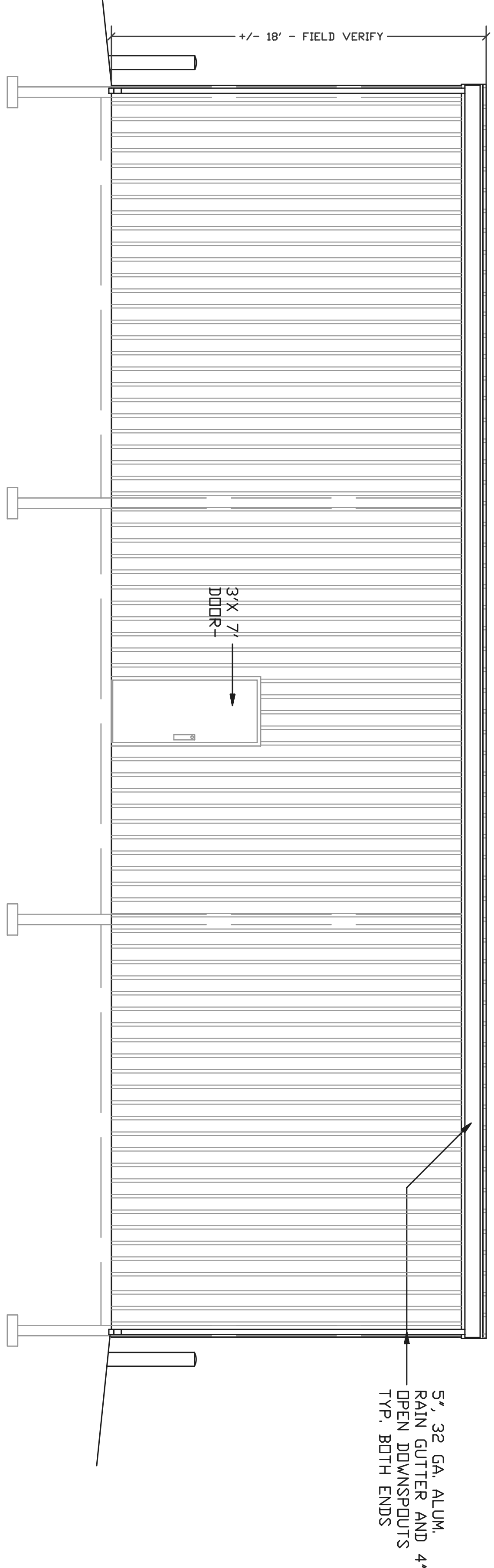
BOLLARD DETAIL 1  
SCALE: 1/2" = 1'-0"



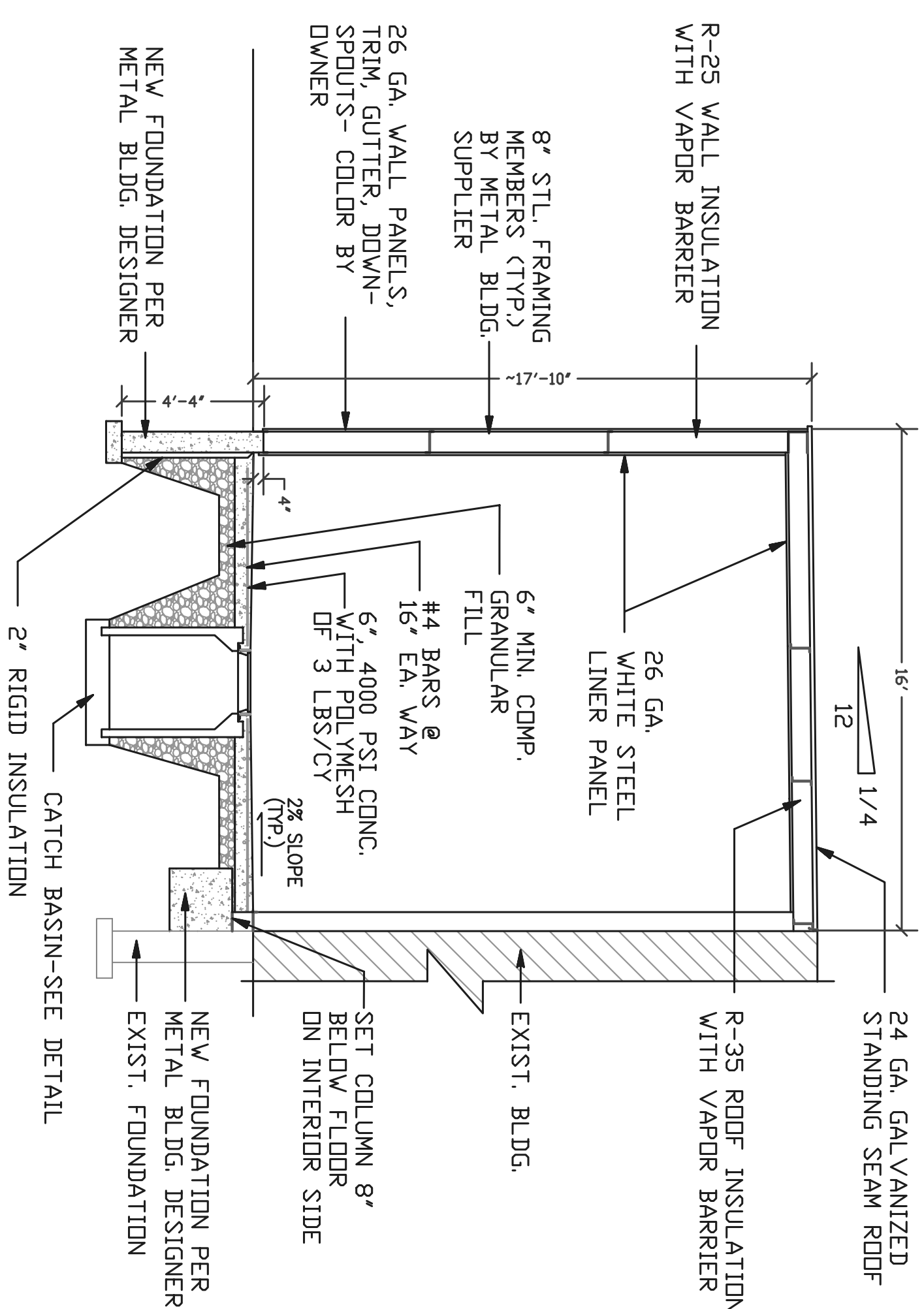
CATCH BASIN DETAIL 2  
SCALE: 1/2" = 1'-0"



NORTH ELEVATION  
SCALE: 1/4" = 1'-0"  
(SOUTH ELEVATION SIMILAR)



EAST ELEVATION  
SCALE: 1/4" = 1'-0"



SECTION  
SCALE: 1/4" = 1'-0"

- NOTES:**
- 3-HOUR FIRE DOOR-A1
  - 3670 14 GA. HOLLOW METAL FRAME, 5 3/4" JAMB, STEEL ANCHORS - PROVIDE MASONRY ANCHORS
  - 3670 18 GA. INSULATED HOLLOW METAL DOOR, FLUSH
  - 3670 18 GA. INSULATED HOLLOW METAL DOOR, FLUSH
  - REMOVABLE PINS, 4 1/2" x 4 1/2" US280 DULL CHROME FINISH, HAGER #891168
  - 1-LON 4040KHP HEAVY DUTY CLOSER, ALUMINUM FINISH
  - 1-BEST 93K HEAVY DUTY CYLINDRICAL LEVER LOCK
  - 1-LATCHGUARD, ROCKWOOD #320CL
  - 1-THRESHOLD, 4" WIDE, 1/2" HIGH x 42", HAGER #410S
  - 1-BEST BULL WEATHER STRIPPING, HAGER #8915V
  - 1-BEST BULL WEATHER STRIPPING, HAGER #8915V
  - LOOKING OPTIONS TO BE DETERMINED
  - EXTERIOR DOOR-B1
  - 3070 14 GA. GALVANIZED HOLLOW METAL FRAME, 5 3/4" JAMB, STEEL ANCHORS
  - 3070 18 GA. INSULATED HOLLOW METAL DOOR, FLUSH
  - 3-STANDARD WEIGHT BALL BEARING HINGES, NON CHROME FINISH, HAGER #891278
  - 1-LON 4040KHP HEAVY DUTY CLOSER, ALUMINUM FINISH
  - 1-BEST 93K HEAVY DUTY CYLINDRICAL LEVER LOCK
  - 1-LATCHGUARD, ROCKWOOD #320CL
  - 1-THRESHOLD, 4" WIDE, 1/2" HIGH x 42", HAGER #410S
  - 1-BEST BULL WEATHER STRIPPING, HAGER #8915V
  - 1-BEST BULL WEATHER STRIPPING, HAGER #8915V
  - LOOKING OPTIONS TO BE DETERMINED
  - FIELD VERIFY ALL DIMENSIONS
  - 3-HOUR FIRE DOOR-A2
  - 2840 14 GA. HOLLOW METAL FRAME, 5 3/4" JAMB, STEEL ANCHORS - PROVIDE MASONRY ANCHORS
  - 2840 18 GA. INSULATED HOLLOW METAL DOOR, FLUSH
  - REMOVABLE PINS, 4 1/2" x 4 1/2" US280 DULL CHROME FINISH, HAGER #891168
  - 1-LON 4040KHP HEAVY DUTY CLOSER, ALUMINUM FINISH
  - 1-BEST 93K HEAVY DUTY CYLINDRICAL LEVER LOCK
  - 1-LATCHGUARD, ROCKWOOD #320CL
  - 1-THRESHOLD, 4" WIDE, 1/2" HIGH x 42", HAGER #410S
  - 1-BEST BULL WEATHER STRIPPING, HAGER #8915V
  - 1-BEST BULL WEATHER STRIPPING, HAGER #8915V
  - LOOKING OPTIONS TO BE DETERMINED

DANE COUNTY JOB CENTER  
GARAGE ADDITION  
1819 ABERG AVENUE  
MADISON, WISCONSIN

DEPARTMENT OF PUBLIC WORKS  
DANE COUNTY WISCONSIN

|                   |                  |                     |           |
|-------------------|------------------|---------------------|-----------|
| Design<br>By: TPS | Drawn<br>By: JRL | Approved<br>By: RJN | Revisions |
| Bid No:<br>311022 | Date:<br>6/29/11 | Scale:<br>AS NOTED  |           |

Sheet 1  
of 1