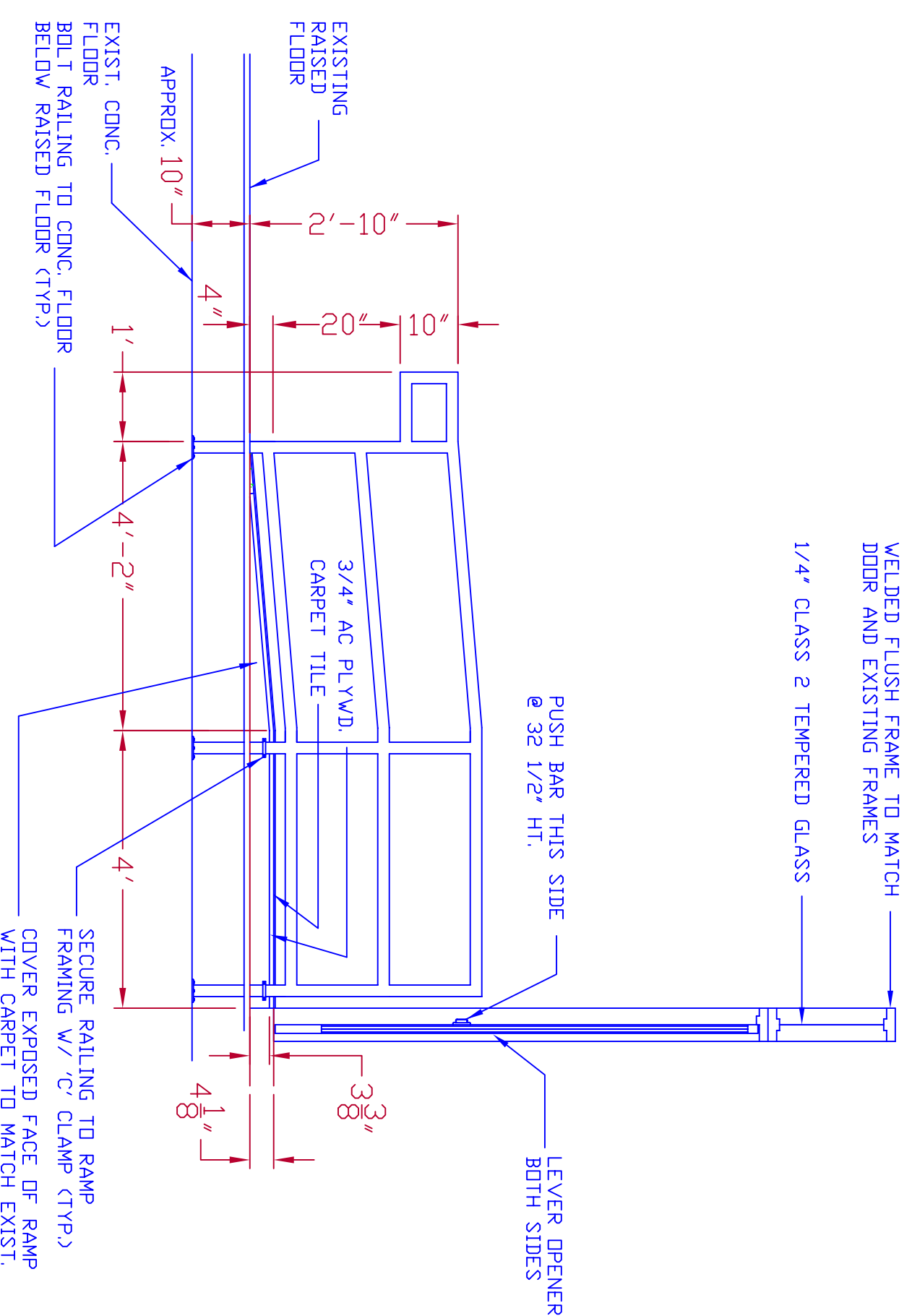
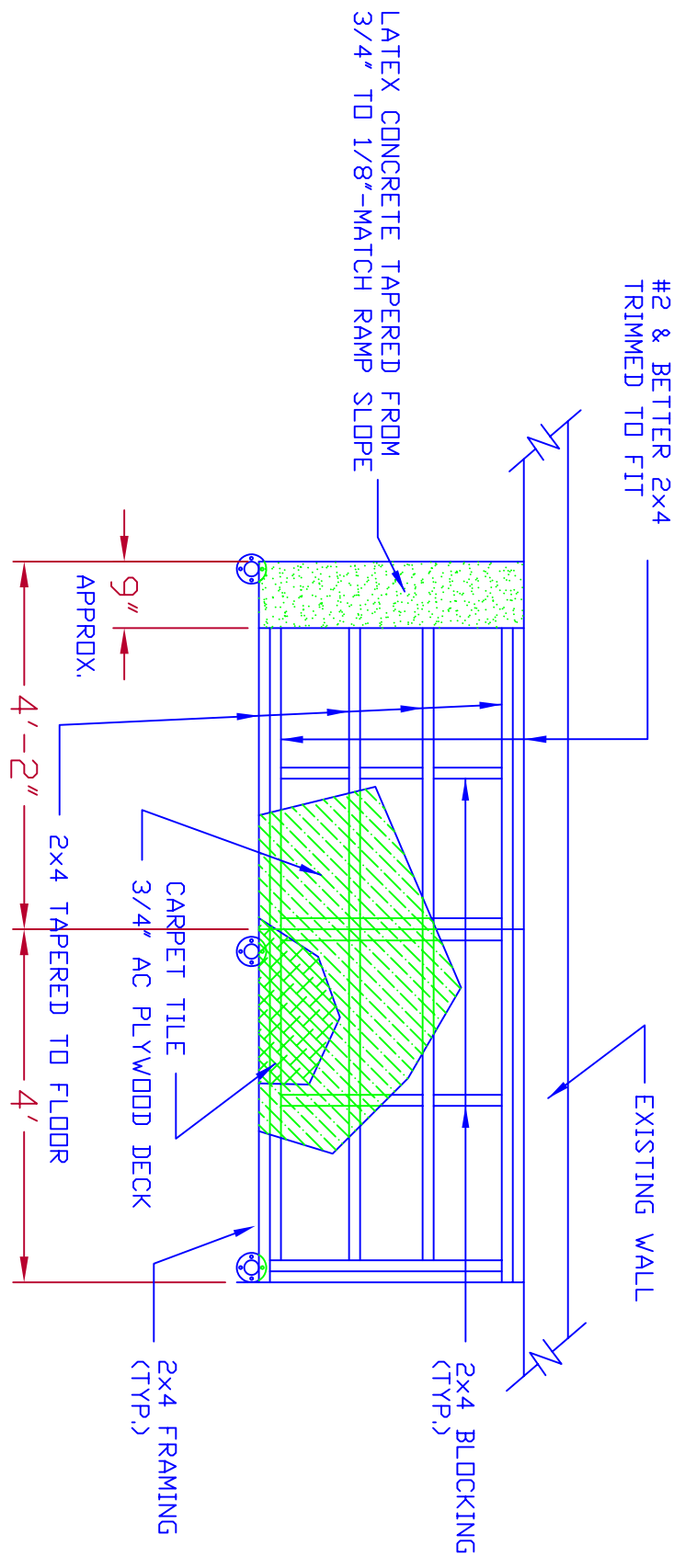


FRONT ELEVATION
1/2" = 1'-0"



SIDE ELEVATION
1/2" = 1'-0"



FRAMING PLAN
1/2" = 1'-0"

- NOTES:**
- HARDWARE TO HAVE BRUSHED CHROME FINISH. PUSH BAR AND 'SCLAGE' KEVED LEVER ON INSIDE & OUTSIDE OF ROOM. DEAD BOLT KEVED TO OWNERS' KEY.
 - LCN 404H HOLD OPEN DOOR CLOSER: 180 DEG., SLB.
 - WELDED FLUSH DOOR FRAME TO BE 16 GA. STEEL. COLOR TO MATCH EXISTING FRAME. NO DOOR STILL FRAME TO BE WELDED WHEN ADJACENT TO STEEL AND BRACED & SECURELY FASTENED AT OTHER LOCATIONS, AS APPROVED BY PROJECT ENGINEER.
 - LEFT HAND DOOR TO BE 18 GA. STEEL WITH 1/4" CLASS 2 TEMPERED GLASS. THREE BALL BEARING BUTTS, BRUSHED CHROME TO MATCH EXISTING.
 - PRIME ALL STEEL WITH AN OIL BASE TINTED TO MATCH PAINT. APPLY 2 COATS OF AN OIL BASE FINISH PAINT WITH COLOR AND LUSTER TO MATCH EXISTING.
 - REUSE EXISTING CARPET TILE FROM UNDER RAMP OR THOSE PROVIDED BY OWNER AND SUPPLY ALL PREPARATION AND INSTALLATION MATERIALS.
 - RAMP IS TO BE PREFABRICATED OUT OF SOLID WOOD FRAMING WITH 3/4" AC PLYWOOD. FRAMING SUPPORTS NOT TO EXCEED 12" O.C.
 - SUBMIT SHOP DRAWING FOR PROJECT ENGINEER APPROVAL BEFORE STARTING WITH ANY SHOP FABRICATING. SOME VARIATIONS IN DIMENSIONS AND DESIGN MAY BE ACCEPTABLE TO COMPLY WITH STANDARD STOCK SIZES.
 - RAIL MUST BE OF SUFFICIENT GAUGE AND SECURED TO MEET THE 50# LATERAL THRUST REQUIREMENT. IT WILL ALSO MEET ADA CODE AND BE FINISHED AS OTHER STEEL. WALL MOUNTED RAIL TO SPAN RAMP ONLY, NOT LANDING.
 - CONTRACTOR MUST INFORM PROJECT ENGINEER OF ANY WIRING OR MISC. ITEMS THAT MAY INTERFERE WITH DOOR INSTALLATION BEFORE PROCEEDING WITH WORK. ANY EXISTING WIRES OR CONDUIT MUST BE LEFT IN PLACE AND WORKED AROUND.
 - ANY WORK CAUSING LOUD, SUSTAINED NOISE OVER 75 DB, MUST BE PERFORMED FROM 3AM-6AM ANY DAY OF THE WEEK. MUST PROVIDE 48 HOURS NOTICE TO PROJECT ENGINEER BEFORE BEGINNING SUCH WORK.
 - WORK AREA MUST BE SEALED OFF FROM OPERATIONS ROOM TO PREVENT SPREAD OF DUST, DOOR, AND/OR EXCESSIVE NOISE.

DEPARTMENT OF PUBLIC WORKS
DANE COUNTY WISCONSIN

Design By: JFS
Drawn By: JRL
Approved By: JFS
Bid No.: 108024
Date: 1/18/08
Scale: AS NOTED