

**RFB NO. 314021**



## **CONSTRUCTION DOCUMENTS PROJECT MANUAL**

DANE COUNTY DEPARTMENT OF PUBLIC WORKS,  
HIGHWAY AND TRANSPORTATION

PUBLIC WORKS ENGINEERING DIVISION  
1919 ALLIANT ENERGY CENTER WAY  
MADISON, WISCONSIN 53713

### **REQUEST FOR BIDS NO. 314021 INSULATION FOR BLUE SHED HIGHWAY STORAGE FACILITY 2302 FISH HATCHERY ROAD MADISON, WISCONSIN**

Due Date / Time: **TUESDAY, OCTOBER 7, 2014 / 2:00 P.M.**

Location: **PUBLIC WORKS OFFICE  
1919 Alliant Energy Center Way  
Madison WI, 53713**

Performance / Payment Bond: **100% OF CONTRACT AMOUNT**

Bid Bond/Deposit: **5% OF BID AMOUNT**

---

FOR INFORMATION ON THIS REQUEST FOR BIDS, PLEASE CONTACT:

JOHN WELCH, PROJECT MANAGER  
TELEPHONE NO.: 608/516-4154  
FAX NO.: 608/267-1533  
E-MAIL: [WELCH@COUNTYOFDANE.COM](mailto:WELCH@COUNTYOFDANE.COM)

## **DOCUMENT INDEX FOR RFB NO. 314021**

### **DIVISION 00 - PROCUREMENT AND CONTRACTING REQUIREMENTS**

- Project Manual Cover Page
- Documents Index
- Advertisement for Bids (Legal Notice)
- Instructions to Bidders
- Bid Form
- Fair Labor Practices Certification
- Sample Public Works Contract
- Sample Bid Bond
- Sample Performance Bond
- Sample Payment Bond
- Equal Benefits Compliance Payment Certification
- Conditions of Contract
- Supplementary Conditions

### **DIVISION 01 - GENERAL REQUIREMENTS**

- 01000 - Basic Requirements
- 01508 - Recycling

### **DIVISION 07 - THERMAL AND MOISTURE PROTECTION**

- 07214 – Foamed-In-Place Insulation

### **DRAWINGS**

- Drawing 1 – Sheet 1 from original building blueprints
- Drawing 2 – Sheet 2 from original building blueprints

## LEGAL NOTICE

### INVITATION TO BID

Dane County Public Works, Highway & Transportation Dept., 1919 Alliant Energy Center Way, Madison, WI 53713, will receive sealed Bids until:

**2:00 P.M., TUESDAY, OCTOBER 7, 2014**

**REQUEST FOR BIDS NO. 314021**

**INSULATION FOR BLUE SHED**

**HIGHWAY STORAGE FACILITY**

**2302 FISH HATCHERY ROAD**

**MADISON, WISCONSIN**

Dane County is inviting Bids for construction services. The project will include installation of insulation for the Dane County Highway Storage Facility. Only firms with capabilities, experience & expertise with similar projects should obtain this packet & submit Bids.

Request for Bids package may be obtained after **2:00 p.m. on Tuesday, September 23, 2014** by downloading it from [countyofdane.com/pwbids](http://countyofdane.com/pwbids). Please call John Welch, Project Manager, at 608/516-4154, or our office at 608/266-4018, for any questions or additional information.

All Bidders, Proposers must be a registered vendor with Dane County & pay an annual registration fee & must be pre-qualified as a Best Value Contractor before award of Contract. Complete Vendor Registration Form at [danepurchasing.com/registration](http://danepurchasing.com/registration) or obtain one by calling 608/266-4131. Complete Pre-qualification Application for Contractors at [countyofdane.com/pwht/BVC\\_Application.aspx](http://countyofdane.com/pwht/BVC_Application.aspx) or obtain one by calling 608/266-4029.

A facility tour for Bidders will be held Wednesday, October 1, 2014 at 10:00 a.m. at the Highway Storage Facility, starting in the front office on 2302 Fish Hatchery Road. Bidders are strongly encouraged to attend this tour.

**PUBLISH: SEPTEMBER 23 & 30, 2014 - WISCONSIN STATE JOURNAL**

**SEPTEMBER 23 & 30, 2014 - THE DAILY REPORTER**

## INSTRUCTIONS TO BIDDERS

**Insulation for Blue Shed  
Highway Storage Facility  
2302 Fish Hatchery Road  
Madison, Wisconsin**

### 1. SECURING DOCUMENTS

- A. Construction Documents may be obtained at [countyofdane.com/pwbids](http://countyofdane.com/pwbids).
- B. Bidder is responsible to check back regularly at the web site for Addenda.
- C. Construction Documents may be obtained by downloading them at [countyofdane.com/pwbids](http://countyofdane.com/pwbids)
- D. Deposit for Drawings and Specifications is not required.

### 2. BID REQUIREMENTS

- A. Bidder shall submit lump sum bid for providing all labor, equipment, tools and materials necessary to perform all Work described in Construction Documents. Only firms with capabilities, experience and expertise with similar projects should submit Bids.
- B. Envelope containing Bid shall be clearly marked as for this project (note title at top of page). Bids shall be delivered to:

Dane County Department of Public Works, Highway & Transportation  
1919 Alliant Energy Center Way  
Madison, Wisconsin 53713

- C. One (1) Bid Form shall be submitted with your Bid. Bid Form is provided with Construction Documents; no other form or letter shall be accepted.
- D. Bidders shall not add any conditions, escalator clauses or qualifying statements to Bid Form.
- E. Erasures or other changes to Bid must be explained or noted, and shall be accompanied by initials of bidder.
- F. Legally authorized official of bidder's organization shall sign Bids.
- G. Bidder's organization shall submit completed Fair Labor Practices Certification form, included in these Construction Documents.
- H. Bid Bond shall be made payable to Dane County in amount of five percent (5%) of bid amount. Bid Bond shall be either certified check or bid bond issued by surety licensed to conduct business in the State of Wisconsin. Successful bidder's Bid Bond shall be retained until Contract is signed and required Performance / Payment Bond is submitted. Bids shall be binding on bidder for sixty (60) days after Bid Due Date. Bid Bond must be submitted with Bid.
- I. Successful bidder shall furnish and pay for Performance / Payment Bond as called for in Conditions of Contract.

### **3. INQUIRIES**

- A. Written inquiries regarding intent of Construction Documents should be directed to:

John Welch, Public Works Project Manager  
Dane County Department of Public Works, Highway & Transportation  
1919 Alliant Energy Center Way, Madison, Wisconsin 53713  
Fax: 608/267-1533  
Email: Welch@countyofdane.com

- B. Bidders shall bring questions, discrepancies, omissions, conflicts or doubt as to meaning of any part of Construction Documents to attention of Department of Public Works, Highway & Transportation at least ten (10) days before due date for Bids. Prompt clarification of intent of Construction Documents shall be made available to bidders in form of Addendum. Bidder shall acknowledge all Addenda on Bid Form.
- C. Failure to request clarification of interpretation of Construction Documents shall not relieve bidders of their responsibilities to perform Work.

### **4. EXAMINATION OF SITE**

- A. A facility tour for Bidders will be held Wednesday, October 1, 2014 at 10:00 a.m. at the Highway Storage Facility, starting in the front office on 2302 Fish Hatchery Road, starting in the front office. Bidders are strongly encouraged to attend this tour, however attendance is optional.

### **5. ALTERNATES**

- A. Not Applicable

### **6. WITHDRAWAL OF BIDS**

- A. Any bidder may withdraw their Bid any time prior to Bid Due Date. Withdrawn Bids shall be returned unopened.

### **7. BID DUE DATE**

- A. See Legal Notice (advertisement).

### **8. COMMENCEMENT AND COMPLETION OF WORK**

- A. Work shall commence by October 27, 2014.
- B. Work shall be completed by November 21, 2014.

### **9. RESERVATION**

- A. Dane County reserves the right to reject any or all Bids, to waive any informalities in the Bid, and to accept any Bid which shall be in the best interest of Dane County.

Name of Bidding Firm: \_\_\_\_\_

**BID FORM**

**BID NO. 314021**

**PROJECT: INSULATION FOR BLUE SHED  
HIGHWAY STORAGE FACILITY**

**TO: DANE COUNTY DEPARTMENT OF PUBLIC WORKS, HIGHWAY &  
TRANSPORTATION PROJECT MANAGER  
1919 ALLIANT ENERGY CENTER WAY  
MADISON, WISCONSIN 53713**

**BASE BID #1 - LUMP SUM:**

The project will include installation of a minimum thickness of 1” insulation for the Dane County Highway Storage Facility. The undersigned, having examined the site where the Work is to be executed and having become familiar with local conditions affecting the cost of the Work and having carefully examined the Drawings and Specifications, all other Construction Documents and Addenda thereto prepared by Dane County Department of Public Works, Highway & Transportation hereby agrees to provide all labor, materials, equipment and services necessary for the complete and satisfactory execution of the entire Work, as specified in the Construction Documents, for the Base Bid #1 stipulated sum of:

\_\_\_\_\_ and \_\_\_\_\_/100 Dollars  
Written Price

\$ \_\_\_\_\_  
Numeric Price

**BASE BID #2 - LUMP SUM:**

The project will include installation of a minimum thickness of 2.5” insulation for the Dane County Highway Storage Facility. The undersigned, having examined the site where the Work is to be executed and having become familiar with local conditions affecting the cost of the Work and having carefully examined the Drawings and Specifications, all other Construction Documents and Addenda thereto prepared by Dane County Department of Public Works, Highway & Transportation hereby agrees to provide all labor, materials, equipment and services necessary for the complete and satisfactory execution of the entire Work, as specified in the Construction Documents, for the Base Bid #2 stipulated sum of:

\_\_\_\_\_ and \_\_\_\_\_/100 Dollars  
Written Price

\$ \_\_\_\_\_  
Numeric Price

Receipt of the following addenda and inclusion of their provisions in this Bid is hereby acknowledged:

Addendum No(s). \_\_\_\_\_ through \_\_\_\_\_

Dated \_\_\_\_\_

Dane County Public Works / Engineering Division must have this project completed by November 21, 2014. Assuming this Work can be started by October 27, 2014, what dates can you commence and complete this job?

Commencement Date: \_\_\_\_\_ Completion Date: \_\_\_\_\_  
(final, not substantial)

I hereby certify that all statements herein are made on behalf of:

\_\_\_\_\_  
(Name of Corporation, Partnership or Person submitting Bid)

Select one of the following:

1. A corporation organized and existing under the laws of the State of \_\_\_\_\_, or
2. A partnership consisting of \_\_\_\_\_, or
3. A person conducting business as \_\_\_\_\_;

Of the City, Village, or Town of \_\_\_\_\_ of the State of \_\_\_\_\_.

I have examined and carefully prepared this Bid from the associated Construction Documents and have checked the same in detail before submitting this Bid; that I have full authority to make such statements and submit this Bid in (its) (their) (my) behalf; and that the said statements are true and correct. In signing this Bid, we also certify that we have not, either directly or indirectly, entered into any agreement or participated in any collusion or otherwise taken any action in restraint of free competition; that no attempt has been made to induce any other person or firm to submit or not to submit a Bid; that this Bid has been independently arrived at without collusion with any other bidder, competitor, or potential competitor; that this Bid has not been knowingly disclosed prior to the Bids Due Date to another bidder or competitor; that the above statement is accurate under penalty of perjury.

The undersigned further agrees to honor the Base Bid and the Alternate Bid(s) for 60 days from date of Award of Contract.

**SIGNATURE:** \_\_\_\_\_  
(Bid is invalid without signature)

Print Name: \_\_\_\_\_ Date: \_\_\_\_\_

Title: \_\_\_\_\_

Address: \_\_\_\_\_

Telephone No.: \_\_\_\_\_ Fax No.: \_\_\_\_\_

Email Address: \_\_\_\_\_

Contact Person: \_\_\_\_\_

**THIS PAGE IS FOR BIDDERS' REFERENCE AND NEED NOT BE SUBMITTED WITH BID FORM.**

**BID CHECK LIST:**

These items **must** be included with Bid:

Bid Form

Bid Bond

Fair Labor Practices Certification

**BIDDERS SHOULD BE AWARE OF THE FOLLOWING:**

**DANE COUNTY VENDOR REGISTRATION PROGRAM**

Any person bidding on any County contract must be registered with the Dane County Purchasing Division & pay an annual registration fee. A contract will not be awarded to an unregistered vendor. Obtain a *Vendor Registration Form* by calling 608/266-4131 or complete a new form or renewal online at:

[www.danepurchasing.com/registration](http://www.danepurchasing.com/registration)

**DANE COUNTY BEST VALUE CONTRACTING PRE-QUALIFICATION**

Contractors must be pre-qualified as a Best Value Contractor with the Dane County Public Works Engineering Division before the award of contract. Obtain a *Best Value Contracting Application* by calling 608/266-4018 or complete one online at:

[www.countyofdane.com/pwht/BVC\\_Application.aspx](http://www.countyofdane.com/pwht/BVC_Application.aspx)

**EQUAL BENEFITS REQUIREMENT**

By submitting a Bid, the contractor acknowledges that a condition of this contract is to provide equal benefits as required by Dane County Code of Ordinances Chapter 25.016. Contractor shall provide equal benefits as required by that Ordinance to all required employees during the term of the contract. Equal Benefits Compliance Payment Certification shall be submitted with final pay request. For more information:

[www.danepurchasing.com/partner\\_benefit.aspx](http://www.danepurchasing.com/partner_benefit.aspx)



**FAIR LABOR PRACTICES CERTIFICATION**

The undersigned, for and on behalf of the BIDDER, APPLICANT or PROPOSER named herein, certifies as follows:

- A. That he or she is an officer or duly authorized agent of the above-referenced BIDDER, APPLICANT or PROPOSER, which has a submitted a proposal, bid or application for a contract with the county of Dane.
  
- B. That BIDDER, APPLICANT or PROPOSER has (check one):

\_\_\_\_\_ not been found by the National Labor Relations Board (“NLRB”) or the Wisconsin Employment Relations Commission (“WERC”) to have violated any statute or regulation regarding labor standards or relations in the seven years prior to the signature date of this Certification.

\_\_\_\_\_ been found by the National Labor Relations Board (“NLRB”) or the Wisconsin Employment Relations Commission (“WERC”) to have violated any statute or regulation regarding labor standards or relations in the seven years prior to the signature date of this Certification.

\_\_\_\_\_  
Officer or Authorized Agent Signature \_\_\_\_\_  
Date

\_\_\_\_\_  
Printed or Typed Name and Title

\_\_\_\_\_  
Printed or Typed Business Name

**NOTE:** You can find information regarding the violations described above at: [www.nlr.gov](http://www.nlr.gov) and [werc.wi.gov](http://werc.wi.gov).

For reference, Dane County Ordinance 25.11(28)(a) is as follows:

(28) BIDDER RESPONSIBILITY. (a) Any bid, application or proposal for any contract with the county, including public works contracts regulated under chapter 40, shall include a certification indicating whether the bidder has been found by the National Labor Relations Board (NLRB) or the Wisconsin Employment Relations Committee (WERC) to have violated any statute or regulation regarding labor standards or relations within the last seven years. The purchasing manager shall investigate any such finding and make a recommendation to the committee, which shall determine whether the conduct resulting in the finding affects the bidder’s responsibility to perform the contract.

**If you indicated that the NLRB or WERC have found you to have such a violation, you must include copies of any relevant information regarding such violation with your proposal, bid or application.**

**COUNTY OF DANE**

**PUBLIC WORKS CONSTRUCTION CONTRACT**

Contract No. \_\_\_\_\_ Bid No. 314021

Authority: 2014 RES - \_\_\_\_\_

**THIS CONTRACT**, made and entered into as of the date by which authorized representatives of both parties have affixed their signatures, by and between the County of Dane (hereafter referred to as "COUNTY") and \_\_\_\_\_ (hereafter, "CONTRACTOR"), and

**WITNESSETH:**

**WHEREAS**, COUNTY, whose address is c/o Assistant Public Works Director, 1919 Alliant Energy Center Way, Madison, WI 53713, desires to have CONTRACTOR provide Insulation for Blue Shed located at the Highway Storage Facility on 2302 Fish Hatchery Road Madison, WI ("the Project"); and

**WHEREAS**, CONTRACTOR, whose address is \_\_\_\_\_ is able and willing to construct the Project, in accordance with the Construction Documents;

**NOW, THEREFORE**, in consideration of the above premises and the mutual covenants of the parties hereinafter set forth, the receipt and sufficiency of which is acknowledged by each party for itself, COUNTY and CONTRACTOR do agree as follows:

1. CONTRACTOR agrees to construct, for the price of \$\_\_\_\_\_ the Project and at the CONTRACTOR'S own proper cost and expense to furnish all materials, supplies, machinery, equipment, tools, superintendence labor, insurance, and other accessories and services necessary to complete the Project in accordance with the conditions and prices stated in the Bid Form,, Conditions of Contract, the drawings which include all maps, plats, plans, and other drawings and printed or written explanatory matter thereof, and the specifications therefore as prepared by \_\_\_\_\_ (hereinafter referred to as "the Architect / Engineer"), and as enumerated in the Project Manual Document Index, all of which are made a part hereof and collectively evidence and constitute the Contract.
2. COUNTY agrees to pay the CONTRACTOR in current funds for the performance of the Contract subject to additions and deductions, as provided in the Conditions of Contract, and to make payments on account thereof as provided in Article entitled, "Payments to Contractor" of the Conditions of Contract.
3. CONTRACTOR agrees to comply with provisions of Chapter 25.016 of the Dane County Code of Ordinances, which pertains to domestic partnership benefits.
4. CONTRACTOR agrees to furnish all information and reports required by COUNTY'S Contract Compliance Officer as the same relate to affirmative action and nondiscrimination, which may include any books, records, or accounts deemed appropriate to determine compliance with Chapter 19, Dane County Code of Ordinances, and the provisions of this Contract.

**5.** CONTRACTOR agrees that all persons employed by CONTRACTOR or any subcontractor shall be paid no less than the minimum wage established under Chapter 40, Subchapter II, Dane County Code of Ordinances. CONTRACTOR agrees to abide by and comply with the provisions of Chapter 40, Subchapter II of the Dane County Code of Ordinances, and said Subchapter is fully incorporated herein by reference.

**6.** This Contract is intended to be a Contract solely between the parties hereto and for their benefit only. No part of this Contract shall be construed to add to, supplement, amend, abridge or repeal existing rights, benefits or privileges of any third party or parties including, but not limited to, employees of either of the parties.

**7.** The entire agreement of the parties is contained herein and this Contract supersedes any and all oral agreements and negotiations between the parties relating to the subject matter hereof. The parties expressly agree that the express terms of this Contract shall not be amended in any fashion except in writing, executed by both parties.

SAMPLE

**IN WITNESS WHEREOF**, COUNTY and CONTRACTOR, by their respective authorized agents, have caused this Contract and its Schedules to be executed, effective as of the date by which all parties hereto have affixed their respective signatures, as indicated below.

\* \* \* \* \*

**FOR CONTRACTOR:**

\_\_\_\_\_  
Signature Date

\_\_\_\_\_  
Printed or Typed Name and Title

\_\_\_\_\_  
Signature Date

\_\_\_\_\_  
Printed or Typed Name and Title

NOTE: If CONTRACTOR is a corporation, Secretary should attest. In accordance with IRS Regulations, unincorporated entities are required to provide either their Social Security or Employer Number in order to receive payment for services rendered.

\* \* \* \* \*

This Contract is not valid or effectual for any purpose until approved by the appropriate authority designated below, and no work is authorized until the CONTRACTOR has been given notice to proceed by COUNTY'S Assistant Public Works Director.

**FOR COUNTY:**

\_\_\_\_\_  
Joseph T. Parisi, County Executive Date

THE AMERICAN INSTITUTE OF ARCHITECTS



AIA Document A310

Bid Bond

Bond No.

KNOW ALL MEN BY THESE PRESENTS, that we (Here insert full name and address or legal title of Contractor)

as Principal, hereinafter called the Principal, and (Here insert full name and address or legal title of Surety)

a corporation duly organized under the laws of the State of WI as Surety, hereinafter called the Surety, are held and firmly bound unto (Here insert full name and address or legal title of Owner)

as Obligee, hereinafter called Obligee, in the sum of ( ) Percent of total amount bid Dollars (\$) Percent of attached bid.

For the payment of which sum well and truly to be made, the said Principal and the said Surety, bind ourselves, our heirs, executors, administrators, successors and assigns, jointly and severally, firmly by these presents.

WHEREAS, the Principal has submitted a bid for Project No.: (Here insert full name, address, and description of project)

NOW, THEREFORE, if the Obligee shall accept the bid of the Principal and the Principal shall enter into a Contract with the Obligee in accordance with the terms of such bid, and give such bond or bonds as may be specified in the bidding or Contract Documents with good and sufficient surety for the faithful performance of such Contract and for the prompt payment of labor and material furnished in the prosecution thereof, or in the event of the failure of the Principal to enter such Contract and give such bond or bonds, if the Principal shall pay to the Obligee the difference not to exceed the penalty hereof between the amount specified in said bid and such larger amount for which the Obligee may in good faith contract with another party to perform the Work covered by said bid, then this obligation shall be null and void, otherwise to remain in full force and effect.

Signed and sealed this day of , 20 .

(Principal) (Seal) (Witness) (Title) (Surety) (Seal) (Witness) ATTORNEY-IN-FACT

THE AMERICAN INSTITUTE OF ARCHITECTS



Bond No. \_\_\_\_\_

AIA Document A312

Performance Bond

Any singular reference to Contractor, Surety, Owner or other party shall be considered plural where applicable.

CONTRACTOR (Name and Address): \_\_\_\_\_

SURETY (Name and Principal Place of Business): \_\_\_\_\_

OWNER (Name and Address): \_\_\_\_\_

CONSTRUCTION CONTRACT  
Date: \_\_\_\_\_  
Amount: \$ \_\_\_\_\_  
Description (Name and Location): \_\_\_\_\_

BOND  
Date (Not earlier than Construction Contract Date): \_\_\_\_\_  
Amount: \$ \_\_\_\_\_  
Modifications to this Bond: \_\_\_\_\_

None

See Page 3

CONTRACTOR AS PRINCIPAL  
COMPANY: \_\_\_\_\_  
(Corporate Seal)

SURETY COMPANY: \_\_\_\_\_  
(Corporate Seal)

Signature: \_\_\_\_\_  
Name and Title:

Signature: \_\_\_\_\_  
Name and Title:

Attorney-in-Fact

(Any additional signatures appear on page 3)

FOR INFORMATION ONLY-Name, Address and Telephone  
AGENT OR BROKER: \_\_\_\_\_

OWNER'S REPRESENTATIVE (Architect,  
Engineer or other party): \_\_\_\_\_

1. The Contractor and the Surety, jointly and severally, bind themselves, their heirs, executors, administrators, successors, and assigns to the Owner for the performance of the Construction Contract, which is incorporated herein by reference.

2. If the Contractor performs the Construction Contract, the Surety and the Contractor shall have no obligation under this Bond, except to participate in conferences as provided in Subparagraph 3.1.

3. If there is no Owner Default, the Surety's obligation under this Bond shall arise after:

**3.1** The Owner has notified the Contractor and the Surety at its address described in Paragraph 10 below that the Owner is considering declaring a Contractor Default and has requested and attempted to arrange a conference with the Contractor and the Surety to be held not later than fifteen days after receipt of such notice to discuss methods of performing the Construction Contract. If the Owner, the Contractor and the Surety agree, the Contractor shall be allowed a reasonable time to perform the Construction Contract, but such an agreement shall not waive the Owner's right, if any, subsequently to declare a Contractor Default; and

**3.2** The Owner has declared a Contractor Default and formally terminated the Contractor's right to complete the contract. Such Contractor Default shall not be declared earlier than twenty days after the Contractor and the Surety have received notice as provided in Subparagraph 3.1; and

**3.3** The Owner has agreed to pay the Balance of the Contract Price to the Surety in accordance with the terms of the Construction Contract or to a contractor selected to perform the Construction Contract in accordance with the terms of the contract with the Owner.

4. When the Owner has satisfied the conditions of Paragraph 3, the Surety shall promptly and at the Surety's expense take one of the following actions:

**4.1** Arrange for the Contractor, with consent of the Owner, to perform and complete the Construction Contract; or

**4.2** Undertake to perform and complete the Construction Contract itself, through its agents or through independent contractors; or

**4.3** Obtain bids or negotiated proposals from qualified contractors acceptable to the Owner for a contract for performance and completion of the Construction Contract, arrange for a contract to be prepared for execution by the Owner and the contractor selected with the Owner's concurrence, to be secured with performance and payment bonds executed by a qualified surety equivalent to the bonds issued on the Construction Contract, and pay to the Owner the amount of damages as described in Paragraph 6 in excess of the Balance of the Contract Price incurred by the Owner resulting from the Contractor's default; or

**4.4** Waive its rights to perform and complete, arrange for completion, or obtain a new contractor and with reasonable promptness under the circumstances:

1. After investigation, determine the amount for

which it may be liable to the Owner and, as soon as practicable after the amount is determined, tender payment therefor to the Owner; or

2. Deny liability in whole or in part and notify the Owner citing reasons therefor.

5. If the Surety does not proceed as provided in Paragraph 4 with reasonable promptness, the Surety shall be deemed to be in default on this Bond fifteen days after receipt of an additional written notice from the Owner to the Surety demanding that the Surety perform its obligations under this Bond, and the Owner shall be entitled to enforce any remedy available to the Owner. If the Surety proceeds as provided in Subparagraph 4.4, and the Owner refuses the payment tendered or the Surety has denied liability, in whole or in part, without further notice the Owner shall be entitled to enforce any remedy available to the Owner.

6. After the Owner has terminated the Contractor's right to complete the Construction Contract, and if the Surety elects to act under Subparagraph 4.1, 4.2, or 4.3 above, then the responsibilities of the Surety to the Owner shall not be greater than those of the Contractor under the Construction Contract, and the responsibilities of the Owner to the Surety shall not be greater than those of the Owner under the Construction Contract. To the limit of the amount of this Bond, but subject to commitment by the Owner of the Balance of the Contract Price to mitigation of costs and damages on the Construction Contract, the Surety is obligated without duplication for:

**6.1** The responsibilities of the Contractor for correction of defective work and completion of the Construction Contract;

**6.2** Additional legal, design professional and delay costs resulting from the Contractor's Default, and resulting from the actions or failure to act of the Surety under Paragraph 4; and

**6.3** Liquidated damages, or if no liquidated damages are specified in the Construction Contract, actual damages caused by delayed performance or non-performance of the Contractor.

7. The Surety shall not be liable to the Owner or others for obligations of the Contractor that are unrelated to the Construction Contract, and the Balance of the Contract Price shall not be reduced or set off on account of any such unrelated obligations. No right of action shall accrue on this Bond to any person or entity other than the Owner or its heirs, executors, administrators, or successors.

8. The Surety hereby waives notice of any change, including changes of time, to the Construction Contract or to related subcontracts, purchase orders and other obligations.

9. Any proceeding, legal or equitable, under this Bond may be instituted in any court of competent jurisdiction in the location in which the work or part of the work is located and shall be instituted within two years after Contractor Default or within two years after the Contractor ceased working or within two years after the Surety refuses or fails to perform its obligations under this Bond, whichever occurs first. If the provisions of this Paragraph are void or prohibited by law, the minimum period of limitation available to sureties as a defense in the jurisdiction of the suit shall be applicable.

10. Notice to the Surety, the Owner or the Contractor shall be mailed or delivered to the address shown on the signature page.

11. When this Bond has been furnished to comply with a statutory or other legal requirement in the location where the construction was to be performed, any provision in this Bond conflicting with said statutory or legal requirement shall be deemed deleted here from and provisions conforming to such statutory or other legal requirement shall be deemed incorporated herein. The intent is that this Bond shall be construed as a statutory bond and not as a common law bond.

**12 DEFINITIONS**

12.1 Balance of the Contract Price: The total amount payable by the Owner to the Contractor under the Construction Contract after all proper adjustments have been made, including allowance to the Contractor of any amounts received or to be received by the Owner in settlement of insurance or other

claims for damages to which the Contractor is entitled, reduced by all valid and proper payments made to or on behalf of the Contractor under the Construction Contract.

12.2 Construction Contract: The agreement between the Owner and the Contractor identified on the signature page, including all Contract Documents and changes thereto.

12.3 Contractor Default: Failure of the Contractor, which has neither been remedied nor waived, to perform or otherwise to comply with the terms of the Construction Contract.

12.4 Owner Default: Failure of the Owner, which has neither been remedied nor waived, to pay the Contractor as required by the Construction Contract or to perform and complete or comply with the other terms thereof.

**MODIFICATIONS TO THIS BOND ARE AS FOLLOWS:**

SAMPLE

(Space is provided below for additional signatures of added parties, other than those appearing on the cover page.)

CONTRACTOR AS PRINCIPAL  
Company: (Corporate Seal)

SURETY  
Company: (Corporate Seal)

Signature: \_\_\_\_\_  
Name and Title:  
Address:

Signature: \_\_\_\_\_  
Name and Title:  
Address:



THE AMERICAN INSTITUTE OF ARCHITECTS



Bond No. \_\_\_\_\_

AIA Document A312

Payment Bond

Any singular reference to Contractor, Surety, Owner or other party shall be considered plural where applicable.

CONTRACTOR (Name and Address): \_\_\_\_\_

SURETY (Name and Principal Place of Business): \_\_\_\_\_

OWNER (Name and Address): \_\_\_\_\_

CONSTRUCTION CONTRACT  
Date: \_\_\_\_\_  
Amount: \$ \_\_\_\_\_  
Description (Name and Location): \_\_\_\_\_

BOND

Date (Not earlier than Construction Contract Date): \_\_\_\_\_

Amount: \$ \_\_\_\_\_

Modifications to this Bond: \_\_\_\_\_

None

See Page 6

CONTRACTOR AS PRINCIPAL  
COMPANY: \_\_\_\_\_  
(Corporate Seal)

SURETY COMPANY: \_\_\_\_\_  
(Corporate Seal)

Signature: \_\_\_\_\_  
Name and Title:

Signature: \_\_\_\_\_  
Name and Title:

Attorney-in-Fact

(Any additional signatures appear on page 6)

FOR INFORMATION ONLY-Name, Address and Telephone  
AGENT OR BROKER: \_\_\_\_\_

OWNER'S REPRESENTATIVE (Architect,  
Engineer or other party): \_\_\_\_\_

1. The Contractor and the Surety, jointly and severally, bind themselves, their heirs, executors, administrators, successors, and assigns to the Owner to pay for labor, materials and equipment furnished for use in the performance of the Construction Contract, which is incorporated herein by reference.

2. With respect to the Owner, this obligation shall be null and void if the Contractor:

2.1 Promptly makes payment, directly, or indirectly, for all sums due Claimants, and

2.2 Defends, indemnifies and holds harmless the Owner from claims, demands, liens or suits by any person or entity whose claim, demand, lien or suit is for the payment for labor, materials, or equipment furnished for use in the performance of the Construction Contract, provided the Owner has promptly notified the Contractor and the Surety (at the address described in Paragraph 12) of any claims, demands, liens, or suits and tendered defense of such claims, demands, liens or suits to the Contractor and the Surety, and provided there is no Owner Default.

3. With respect to Claimants, this obligation shall be null and void if the Contractor promptly makes payment, directly or indirectly, for all sums due.

4. The Surety shall have no obligation to Claimants under this Bond until:

4.1 Claimants who are employed by or have a direct contract with the Contractor have given notice to the Surety (at the address described in Paragraph 12) and sent a copy, or notice thereof, to the Owner, stating that a claim is being made under this Bond and, with substantial accuracy, the amount of the claim.

4.2 Claimants who do not have a direct contract with the Contractor:

1. Have furnished written notice to the Contractor and sent a copy, or notice thereof, to the Owner, within 90 days after having last performed labor or last furnished materials or equipment included in the claim stating, with substantial accuracy, the amount of the claim and the name of the party to whom the materials were furnished or supplied or for whom the labor was done or performed; and
2. Have either received a rejection in whole or in part from the Contractor, or not received within 30 days of furnishing the above notice any communication from the Contractor by which the Contractor has indicated the claim will be paid directly or indirectly; and
3. Not having been paid within the above 30 days, have sent a written notice to the Surety (at the address described in Paragraph 12) and sent a copy, or notice thereof, to the Owner, stating that a claim is being made under this Bond and enclosing a copy of the previous written notice furnished to the Contractor.

5. If a notice required by Paragraph 4 is given by the Owner to the Contractor or to the Surety, that is sufficient compliance.

6. When the Claimant has satisfied the conditions of Paragraph 4, the Surety shall promptly and at the Surety's expense take the following actions:

6.1 Send an answer to the Claimant, with a copy to the Owner, within 45 days after receipt of the claim, stating the amounts that are undisputed and the basis for challenging any amounts that are disputed.

6.2 Pay or arrange for payment of any undisputed amounts.

7. The Surety's total obligation shall not exceed the amount of this Bond, and the amount of this Bond shall be credited for any payments made in good faith by the Surety.

8. Amounts owed by the Owner to the Contractor under the Construction Contract shall be used for the performance of the Construction Contract and to satisfy claims, if any, under any Construction Performance Bond. By the Contractor furnishing and the Owner accepting this Bond, they agree that all funds earned by the Contractor in the performance of the Construction Contract are dedicated to satisfy obligations of the Contractor and the Surety under this Bond, subject to the Owner's priority to use the funds for the completion of the work.

9. The Surety shall not be liable to the Owner, Claimants or others for obligations of the Contractor that are unrelated to the Construction Contract. The Owner shall not be liable for payment of any costs or expenses of any Claimant under this Bond, and shall have under this Bond no obligations to make payments to, give notices on behalf of, or otherwise have obligations to Claimants under this Bond.

10. The Surety hereby waives notice of any change, including changes of time, to the Construction Contract or to related subcontracts, purchase orders and other obligations.

11. No suit or action shall be commenced by a Claimant under this Bond other than in a court of competent jurisdiction in the location in which the work or part of the work is located or after the expiration of one year from the date (1) on which the Claimant gave the notice required by Subparagraph 4.1 or Clause 4.2.3, or (2) on which the last labor or service was performed by anyone or the last materials or equipment were furnished by anyone under the Construction Contract, whichever of (1) or (2) first occurs. If the provisions of this Paragraph are void or prohibited by law, the minimum period of limitation available to sureties as a defense in the jurisdiction of the suit shall be applicable.

12. Notice to the Surety, the Owner or the Contractor shall be mailed or delivered to the address shown on the signature page. Actual receipt of notice by Surety, the Owner or the Contractor, however accomplished, shall be sufficient compliance as of the date received at the address shown on the signature page.

13. When this Bond has been furnished to comply with a statutory or other legal requirement in the location where the construction was to be performed, any provision in this Bond conflicting with said statutory or legal requirement shall be deemed deleted herefrom and provisions conforming to such statutory or other legal requirement shall be deemed incorporated herein. The intent is that this Bond shall be construed as a statutory bond and not as a common law bond.

14. Upon request by any person or entity appearing to be a potential beneficiary of this Bond, the Contractor

shall promptly furnish a copy of this Bond or shall permit a copy to be made.

**15. DEFINITIONS**

**15.1 Claimant:** An individual or entity having a direct contract with the Contractor or with a subcontractor of the Contractor to furnish labor, materials or equipment for use in the performance of the Contract. The intent of this Bond shall be to include without limitation in the terms "labor, materials or equipment" that part of water, gas, power, light, heat, oil, gasoline, telephone service or rental equipment used in the Construction Contract, architectural and engineering services required for performance of the work of the Contractor and the Contractor's

subcontractors, and all other items for which a mechanic's lien may be asserted in the jurisdiction where the labor, materials or equipment were furnished.

**15.2 Construction Contract:** The agreement between the Owner and the Contractor identified on the signature page, including all Contract Documents and changes thereto.

**15.3 Owner Default:** Failure of the Owner, which has neither been remedied nor waived, to pay the Contractor as required by the Construction Contract or to perform and complete or comply with the other terms thereof.

**MODIFICATIONS TO THIS BOND ARE AS FOLLOWS:**

SAMPLE

(Space is provided below for additional signatures of added parties, other than those appearing on the cover page.)

CONTRACTOR AS PRINCIPAL  
Company: (Corporate Seal)

SURETY  
Company: (Corporate Seal)

Signature: \_\_\_\_\_  
Name and Title:  
Address:

Signature: \_\_\_\_\_  
Name and Title:  
Address:

## EQUAL BENEFITS COMPLIANCE PAYMENT CERTIFICATION

### PURPOSE

25.016(8) of the Dane County Ordinance requires that each contractor receiving payment for contracted services must certify that he or she has complied fully with the requirements of Chapter 25.016 "Equal Benefits Requirement" of the Dane County Ordinances. Such certification must be submitted prior to the final payment on the contract.

This form should be included with a copy of the final contract invoice forwarded to your contract representative at Dane County.

### CERTIFICATION

I, \_\_\_\_\_ certify that  
Printed or Typed Name and Title

\_\_\_\_\_  
Printed or Typed Name of Contractor

has complied fully with the requirements of Chapter 25.016 of the Dane County Ordinances "Equal Benefits Requirements".

Signed \_\_\_\_\_

Date \_\_\_\_\_

For questions on this form, please contact Chuck Hicklin at 608-266-4109 or your contract representative at Dane County.

# CONDITIONS OF CONTRACT

## TABLE OF CONTENTS

1. BIDS AND QUOTATIONS .....	1
2. GUARANTEE AND BOND .....	2
3. SHOP DRAWINGS, PRODUCT DATA AND SAMPLES .....	3
4. AWARDS .....	4
5. CONTRACT PROVISIONS .....	5
6. GENERAL GUARANTEE.....	10
7. IDENTICAL BIDDING.....	10
8. BINDING CONTRACTS .....	11
9. AFFIRMATIVE ACTION PROVISION AND MINORITY / WOMEN / DISADVANTAGED BUSINESS ENTERPRISES .....	11
10. COMPLIANCE WITH FAIR LABOR STANDARDS .....	12
11. DOMESTIC PARTNERSHIP BENEFITS .....	12
12. INSURANCE REQUIREMENTS .....	12

### 1. BIDS AND QUOTATIONS

- A. **Addressing of Bids.** Bids shall be addressed to the attention of Public Works Engineering Division and received at the Dane County Department of Public Works, Highway & Transportation, 1919 Alliant Energy Center Way, Madison, WI 53713, on or before the local time and date specified herein for the Bid Due Date. Seal all bids in envelopes and clearly mark the front with bid number and a reference to the specified contents of the bid. All uses of the term “County” in the Construction Documents shall mean Dane County.
- B. **Only One Copy Required.** Unless otherwise specified, only one copy of a bid or quotation on prescribed Bid Form will be required.
- C. **Additional Data with Bid.** Bidder may submit, on the firm’s letterhead only, additional data and information deemed advantageous to the County. The County shall hold optional the consideration of such data and information.
- D. **More than One Bid.** Bidders desiring to submit more than one bid may do so provided such additional bid or bids are properly submitted on the Dane County Department of Public Works, Highway & Transportation’s Bid Form. Obtain extra sets of Construction Documents from the Dane County Department of Public Works, Highway & Transportation. All uses of the term “Department” in the Construction Documents shall mean the Department of Public Works, Highway & Transportation, which is a unit of Dane County government.
- E. **Withdrawal or Late Bids.** The County will not accept formal bids, amendments thereto, or requests for withdrawal of a bid or any part thereof, after the time of Bid Due Date.
- F. **Preparation and Submission.** All written bids, unless otherwise provided for, must be submitted on and in accordance with forms provided by the County properly signed in ink. Bids not signed by hand are not accepted. Bidders must register in advance with the Purchasing Division.
- G. **Products by Name.** Intention of Specifications of products by name is to be descriptive of quality, workmanship, finish, function and approximate characteristics desired; intention is not necessarily restriction. Consideration of products substitution for those named is possible, provided the substitute offered is, in the opinion of the Dane County Public Works

Project Manager, equal or superior in quality, workmanship, finish, function and approximate characteristics to that specified in the Project Manual Specifications listed herein.

- H. **Visitation of Sites.** Bidder shall visit the site(s) that will receive the intended work or installation, and in so doing, be held responsible for a job deemed satisfactory by the County after completion of the Work or installation. No additional compensation shall be allowed for any condition of which bidder could have been informed.
- I. **Completeness.** Supply all information required by Construction Documents to constitute a regular bid. This shall include:
  - 1. Completed Bid Form.
  - 2. Completed Fair Labor Practices Certification.
  - 3. Completed Bid Bond.
- J. **Bids Binding Sixty (60) Days.** Unless otherwise specified all formal bids submitted shall be binding for sixty (60) calendar days following Bid Due Date.
- K. **Conditional Bids.** Qualified bids are subject to complete rejection, or partial rejection.
- L. **All or Part.** Bids or quotations may be considered and award made for all or any part of total quantities as specified in the Construction Documents.
- M. **Errors.** Unit bid price shall govern when extending total prices has errors. Carelessness in quoting prices or in preparation of bid otherwise, will not relieve the bidder. Explain all erasures in bids and include signature of bidder.
- N. **Regulation by State Statutes.** The bidding and letting of contracts are subject to provisions of Wisconsin Statutes 59.52(29) and 66.0901 and all subsequent sections and amendments thereof.
- O. **Bidders Present.** The Bid Due Date is the time fixed for the opening of formal bids. The Bids' contents will be made public for the information of bidders and others properly interested, who may be present either in person or by representative. Bidders are encouraged to attend all openings, and to offer constructive suggestions for improvements to bid format or ways in which County can realize greater savings.
- P. **Taxes.** Contractor shall pay applicable State and local sales taxes.

## 2. GUARANTEE AND BOND

- A. **Bid Bond / Guarantee.** A Bid Bond shall accompany Bids, which shall be either a flat sum or a percentage figure as shown on the Project Manual Cover. This Bid Bond shall serve as a warrant that the successful bidder will fulfill the terms of the bid within the time limit as indicated in the bid after notice of award by the Dane County. The Bid Bond may be a certified bank check (note: uncertified checks will not be acceptable), a cashier's check or a United State money order payable to the order of the Treasurer of Dane County; or on a Bid Bond with corporate surety authorized to do business in the State of Wisconsin and a warranty of attorney to confess judgment thereon attached thereto. The County will return negotiable Bid Bonds to unsuccessful bidders after awarding of bid. The County shall return a check held from a Contractor after satisfactory completion of the Contract or after receipt

by the County of a Performance Bond from the Contractor, if one is required. Surety Bid Bonds will not be returned unless specifically requested by individual bidders.

- B. **Guarantor Liability.** When guarantee is required, failure of bidder to furnish an acceptable Performance Bond (Article 2.C.) within twenty (20) days after receipt of notice of award shall render the guarantor liable to the County. Bids covered by certified check or bond such security shall become the absolute property of the County and shall be deposited with the County Treasurer for the benefit of the County as liquidated damages. The County shall forthwith proceed to collect on the Bid Bond.
- C. **Performance / Payment Bond.** When required, file a guarantee that the successful bidder will faithfully perform the obligations of the bid as accepted. Such guarantee must be a bond complying with Wisconsin Statute 779.14 with corporate surety authorized to do business in this State, and that the Contractor or subcontractors will be responsible for all claims for injuries to persons or damages to property or premises arising out of or in connection with their operations prior to the acceptance of the finished work or supplies, and that they will promptly make payments to all persons supplying them with labor or materials in the execution of the Work provided for in the Contract; guarantee to indemnify, hold harmless and defend Dane County, its boards, commissions, agencies, officers, employees and representatives from all costs, damages and expenses growing out of or by reason of the successful bidder's failure to comply and perform the Work and complete the Contract in accordance with the Construction Documents; attach thereto a warrant of attorney authorizing the confession of judgment thereon for the benefit of the County.

### 3. SHOP DRAWINGS, PRODUCT DATA AND SAMPLES

- A. Shop Drawings are drawings, diagrams, schedules and other data specially prepared for the Work by the Contractor or a subcontractor, sub-subcontractor, manufacturer, supplier or distributor to illustrate some portion of the Work.
- B. Product Data are illustrations, standard schedules, performance charts, instructions, brochures, diagrams and other information furnished by the Contractor to illustrate materials or equipment for some portion of the Work.
- C. Samples are physical examples that illustrate materials, equipment or workmanship and establish standards to compare the Work.
- D. Shop Drawings, Product Data, Samples and similar submittals are not Construction Documents. The purpose of their submittal is to demonstrate for those portions of the Work for which submittals are required the way the Contractor proposes to conform to the information given and the design concept expressed in the Construction Documents.
- E. The Contractor shall review, approve and submit to the Public Works Project Manager Shop Drawings, Product Data, Samples and similar submittals required by the Construction Documents with reasonable promptness and in such sequence as to cause no delay in the Work or in the activities of the County or of separate contractors. Submittals made by the Contractor not required by the Construction Documents, may be returned without action.
- F. The Contractor shall perform no portion of the Work requiring submittal and review of Shop Drawings, Product Data, Samples or similar submittals until the Public Works Project Manager has approved the respective submittal. Such Work shall be in accordance with approved submittals.

- G. By approving and submitting, Shop Drawings, Product Data, Samples and similar submittals, the Contractor represents that the Contractor has determined and verified materials, field measurements and field construction criteria related thereto, or will do so, and has checked and coordinated the information contained within such submittals with the requirements of the Work and of the Construction Documents.
- H. The Contractor shall not be relieved of responsibility for deviations from requirements of the Construction Documents by the Public Works Project Manager's approval of Shop Drawings, Product Data, Samples and similar submittals unless the Contractor has specifically informed the Public Works Project Manager in writing of such deviation at the time of submittal and the Public Works Project Manager has given written approval to the specific deviation. The Contractor shall not be relieved of responsibility for errors or omissions in Shop Drawings, Product Data, Sample or similar submittals by the Public Works Project Manager's approval thereof.
- I. The Contractor shall in writing direct specific attention to revised and / or resubmitted Shop Drawings, Product Data, Samples or similar submittals that were not requested by the Architect / Engineer or the Public Works Project Manager on previous submittals.
- J. Unless specified otherwise, Contractor shall submit three (3) copies of all Shop Drawings, Product Data, Samples or similar submittals for each submission, until receiving final approval. After final approval, provide five (5) additional copies for distribution and such other copies as may be required.

#### 4. AWARDS

- A. **Lowest Responsible Bidder.** Award will be to the lowest responsible bidder conforming to Construction Documents or on the most advantageous bid to the County.
- B. **Other Considerations.** Quantities involved, time of delivery, purpose for which required, competency of bidder, the ability to render satisfactory service and past performance will be considered in determining responsibility.
- C. **Rejection of Bids.** The County reserves the right to reject any or all bids or quotations in whole or in part and to award by items, parts of items, or by any aggregate group of items specified. The County reserves also the right to waive technical defects when in its judgment the best interests of the County thereby will be served.
- D. **Notice of Acceptance.** Sufficient notification of acceptance of bid will be written notice of award to a bidder in the form of a Purchase Order or similar, mailed or delivered to the address shown on the Bid Form.
- E. **Tie Bids.** If two or more bidders submit identical bids, the decision of the County to make award to one or more of such bidders shall be final. Cash discount will be taken into consideration determining an award. Also, see Article 7.A. IDENTICAL BIDDING, Antitrust Laws.
- F. **Qualifying Bidders.** Prior to solicitation and / or awarding of bid, the County may require submission by bidder of complete financial statement and questionnaire describing bidder's financial ability and experience in performance of similar work. Refer to Instructions to Bidders.



- G. **Disqualification.** Awards will not be made to any person, firm or company in default of a Contract with the County, or to any bidder having as its sales agent or representative or as a member of the firm, any individual previously in default or guilty of misrepresentation.
- H. **Bid Results.** Bidders may secure information pertaining to results of bids by visiting the County Purchasing Division Office Monday through Friday, between 7:45 a.m. and 4:30 p.m.

## 5. CONTRACT PROVISIONS

- A. **Acceptance Constitutes Contract.** Written acceptance by the Public Works Project Manager of a proposal for services shall constitute a Contract, which shall bind the bidder to perform the Work as detailed in the Construction Documents, for the bid amount and in accordance with all conditions of said accepted bid. A formal Contract containing all provisions of the Contract signed by both parties shall be used when required by the Public Works Project Manager.
- B. **Local Restrictions and Permits.** All work shall be done according to applicable laws, ordinances and codes. The Contractor shall procure and pay for all required permits for permanent or temporary work.
- C. **Payment of Invoices.** Payment may be made only after inspection and acceptance by the using agency and approval by the Dane County Public Works Project Manager, and, where required by ordinances, approval by the Dane County Board of Supervisors. If materials or equipment were delivered, constructed, erected, installed or tested on site, payment shall be made based on ninety-five percent (95%) of the value of all the Work performed up to fifty percent (50%) of scheduled values less the total of previous payments. Authorized extra work will be included in progress payments. Payment of balances will be made only after approval and final acceptance by the County in consideration and elimination of the possibilities of imperfect work, faulty materials or equipment, liens that have been filed, or if evidence indicates the possible filing of claims.
- D. **Contract Alterations.** No alterations or variables in the terms of a contract shall be valid or binding upon the County unless made in writing and signed by the Purchasing Agent or authorized agent.
- E. **Assignments.** No contract may be assigned, sublet or transferred without written consent of the Public Works Project Manager.
- F. **Cancellations.** A contract may be canceled or voided by the Public Works Project Manager upon non-performance or violation of contract provisions, and an award made to the next low bidder or articles specified may be purchased on the open market. In either event, the defaulting contractor (or their surety) shall be liable to Dane County for costs to the County in excess of the defaulting contractor's contract prices.
- G. **Right of the Department to Terminate Contract.**
  - 1. In the event that the Contractor or any subcontractors violate any of the provisions of this Contract, the County may serve written notice upon the Contractor and the Surety of its intention to terminate the Contract. Such notice to contain the reasons for such intention to terminate the Contract, and unless within ten (10) days after the serving of such notice upon the Contractor, such violation or delay shall cease and satisfactory arrangement or correction be made, the Contract shall, upon the expiration of said ten (10) days, cease and terminate.

2. In the event of any such termination, the County shall immediately serve notice thereof upon the Surety and the Contractor, and the Surety shall have the right to take over and perform the Contract subject to County's approval. However, if the Surety does not commence performance thereof within ten (10) days from the date of the mailing to such Surety of notice of termination, the County may take over the Work and prosecute the same to completion by Contract or by force account for the account and at the expense of the Contractor. The Contractor and Surety shall be liable to the County for any excess cost occasioned the County thereby, and in such event the County may take possession of and utilize in completing the Work, such equipment, materials and / or supplies as may be on the site of the Work and therefore necessary.

H. **Non-Liability.** The Contractor shall not be liable in damages for delay in shipment or failure to deliver when such delay or failure is the result of fire, flood, strike, the transporting carrier, act of God, act of government, act of an alien enemy or by any other circumstances which, in the Public Works Project Manager's opinion, is beyond the control of the Contractor. Under such circumstances, however, the Public Works Project Manager may in the discretion, cancel the Contract.

I. **Quality Assurance.** Inspection of equipment, materials and / or supplies shall be made by or at the direction of the County or the Agency to which the goods are delivered, and any articles supplied that are defective, or fails in any way to meet Specifications or other requirements of the Contract, will be rejected. The Public Works Project Manager shall direct all required laboratory tests. The decision of the Public Works Project Manager on acceptance shall be final.

J. **Time for Completion.** The Contractor agrees that the Work shall be prosecuted regularly and diligently and complete the entire project as stated in the Construction Documents.

K. **Changes in the Work.**

1. Except in cases of emergency, no changes in the Work covered by the approved Construction Documents shall be made without having prior written approval of the Department. Charges or credits for the work covered by the approved change shall be determined by one of the following methods:
  - a) Unit bid prices previously approved.
  - b) An agreed lump sum based on actual cost of:
    - 1) Labor, including foremen, and all fringe benefits that are associated with their wages;
    - 2) Materials entering permanently into the Work;
    - 3) The ownership or rental cost of construction plant and equipment during the time of use on the extra work;
    - 4) Power and consumable supplies for the operation of construction or power equipment;
    - 5) Workmen's Compensation Insurance, Contractor's Public Liability and Property Damage Insurance, and Comprehensive Automobile Liability Insurance;
    - 6) Social Security, pension and unemployment contributions;
    - 7) To the cost under K.1.b) 2), there shall be added a fixed fee to be agreed upon, but not to exceed fifteen percent (15%) of the actual cost of the Work performed with their own labor force; the fee shall be compensation to cover the cost of supervision, overhead, bond, profit and any other general expense;
    - 8) On that portion of the work under K.1.b) 2) done under subcontract, the Contractor may include not over seven and one-half percent (7½%) for supervision, overhead, bond, profit and any other general expense; and

- 9) The Contractor shall keep and present in such form as directed, a correct amount of the cost together with such supporting vouchers as may be required by the Department.
  - c) Cost-Plus Work, with a not-to-exceed dollar limit, based on actual cost of:
    - 1) Labor, including foremen, and all fringe benefits that are associated with their wages;
    - 2) Materials entering permanently into the Work;
    - 3) The ownership or rental cost of construction plant and equipment during the time of use on the extra work. (Rental cost cannot exceed fifty percent (50%) replacement value of rented equipment);
    - 4) Power and consumable supplies for the operation of construction or power equipment;
    - 5) Workmen's Compensation, Contractor's Public Liability and Property Damage Insurance, and Comprehensive Automobile Liability Insurance;
    - 6) Social Security, pension and unemployment contributions;
    - 7) To the cost under K.1.c) 3) there shall be added a fixed fee to be agreed upon, but not to exceed fifteen percent (15%) of the actual cost of the Work performed with their own labor force; the fee shall be compensation to cover the cost of supervision, overhead, bond, profit, and any other general expense;
    - 8) On that portion of the work under K.1.c) 3) done under subcontract, the Contractor may include not over seven and one-half percent (7½%) for supervision, overhead, bond, profit, and any other general expense; and
    - 9) The Contractor shall keep and present in such form as directed, a correct amount of the cost together with such supporting vouchers as may be required by the Department.
  2. If the Contractor claims that by any instructions given by the Architect / Engineer, the Department, by drawings or otherwise, regarding the performance of the Work or the furnishing of material under the Contract, involves extra cost, the Contractor shall give the Department written notice thereof within two weeks after the receipt of such instructions and in any event before proceeding to execute the work, unless delay in executing the work would endanger life or property.
  3. No claim for extra work or cost shall be allowed unless the same was done in pursuance of a written order of the Architect / Engineer and approved by the Department, as previously mentioned, and the claim presented with the payment request submitted after the changed or extra work is completed.
  4. Negotiation of cost for a change in the Work shall not be cause for the Contractor to delay prosecution of the Work if the Contractor has been authorized in writing by the Public Works Project Manager to proceed.
- L. Payments to Contractor.**
1. The County will make partial payments to the Contractor for the value, proportionate to the amount of the Contract, of all labor and material incorporated in the work during the preceding calendar month upon receipt of approved Application and Certificate of Payment from the Architect / Engineer and approval of the Department.
  2. The Contractor shall submit to the Architect / Engineer an Application and Certificate of Payment. The Architect / Engineer will review and approve this before sending it to the Public Works Project Manager. Evidence may be required, and supplied on demand, that supports the request and the Contractor's right to the payment claimed.

3. Request for payment for preparatory work and materials delivered and suitably stored at the site to be incorporated into the Work at some future period, will be given due consideration. Requests involving materials stored off the site, may be rejected; however, if deemed essential for reasons of job progress, protection, or other sufficient cause, requests will be considered conditional upon the submission by the Contractor of bills of sale and such other procedures as will adequately protect the County's interest such as storage in a bonded warehouse with adequate coverage. If there is any error in a payment, the Contractor is obligated to notify the Department immediately, but no longer than ten (10) days from receipt of payment.
4. Payments by the County will be due within forty-five (45) days after receipt by the Department of a certified request.
5. Five percent (5%) of each request for certification will be retained until final completion and acceptance of all the Work covered by the Contract. However, anytime after fifty percent (50%) of the Work has been furnished and installed at the site, the remaining payments will be made in full if the Architect / Engineer and Public Works Project Manager find that the progress of the Work corresponds with the construction progress schedule. If the Architect / Engineer and Public Works Project Manager find that the progress of the Work does not correspond with the construction progress schedule, up to ten percent (10%) of each request for payment may be retained for the Work completed.
6. All material and work covered by partial payments made shall become the sole property of the County. This provision shall not be construed as relieving the Contractor from the sole responsibility for the care and protection of materials and work upon which payments have been made or the restoration of any damaged work, or as a waiver of the right of the County to require the fulfillment of all of the terms of the Contract.
7. Final payment will be made within sixty (60) days after final completion of the Work, and will constitute acceptance thereof. Submit Equal Benefits Compliance Payment Certification with final pay request. Payment may be denied if Certification is not included.
8. On completion and acceptance of each separate division of the Contract, on which the stated price is separated in the Contract, payment may be made in full, including retained percentages thereon, less authorized deductions.
9. Every contractor engaged in performance of any contract for Department of Public Works, Highway & Transportation shall submit to this Department, as requested and with final application for payment for work under said contract, affidavit(s) as required to prove that all debts and claims against this Work are paid in full or otherwise satisfied, and give final evidence of release of all liens against the Work and County. If Wisconsin Prevailing Wage Rate Determination is required for this Work, use "Prime Contractor Affidavit of Compliance With Prevailing Wage Rate Determination" and "Agent or Subcontractor Affidavit of Compliance With Prevailing Wage Rate Determination" (if applicable). If Wisconsin Prevailing Wage Rate Determination is not required for this Work, use "Dane County, Wisconsin Contractor Wage Affidavit". Forms of such affidavits are included in Supplementary Conditions.

**M. Withholding of Payments.**

1. The County, after having served written notice on the said Contractor, may either pay directly any unpaid bills of which the Department has written notice, or withhold from the Contractor's unpaid compensation a sum of money deemed reasonably sufficient to pay any and all such lawful claims until satisfactory evidence is furnished that all

liabilities have been fully discharged. Then payment to the Contractor shall be resumed in accordance with the terms of this Contract, but in no event shall these provisions be construed to impose any obligations upon the County to either the Contractor or the Contractor's Surety.

2. In paying any unpaid bills of the Contractor, the County shall be deemed the Agent of the Contractor, and any payment so made by the County, shall be considered as a payment made under the Contract by the County to the Contractor and the County shall not be liable to the Contractor for any such payment made in good faith.
3. Contractor shall indemnify, hold harmless and defend Dane County, its boards, commissions, agencies, officers, employees and representatives from all claims growing out of the lawful demands of subcontractors, laborers, workmen, mechanics, material men, and furnishers of machinery and parts thereof, equipment, power tools, and all supplies, including commissary, incurred in the performance of this Contract.
4. At the Department's request, the Contractor shall furnish satisfactory evidence that all obligations of the nature designated above have been paid, discharged or waived.

**N. Acceptance of Final Payment as Release.**

1. The making of final payment shall constitute a waiver of all claims by the County except those arising from:
  - a) Unsettled lien;
  - b) Faulty or defective work appearing after substantial completion;
  - c) Failure of the work to comply with the requirements of the Construction Documents; or
  - d) Terms of any special guarantees required by the Construction Documents.
2. The acceptance of final payment shall constitute a waiver of all claims by the Contractor.

**O. Lien Waivers.** The Contractor warrants that title to all work covered by an application for Payment will pass to the County no later than the time of payment. The Contractor further warrants that upon submittal of an Application for Payment all work for which Certificates for Payment have been previously issued and payments received from the County shall, to the best of the Contractor's knowledge, information and belief, be free and clear of liens, claims, security interests or encumbrances in favor of the Contractor, subcontractor, material suppliers, or other persons or entities making a claim by reason of having provide labor, materials and equipment related to the Work.

**P. Use and Occupancy Prior to Acceptance.** The Contractor agrees to the use and occupancy of a portion or unit of the project before formal acceptance by the Department, provided the Department:

1. Secures written consent of the Contractor; except when in the opinion of the Department's Public Works Project Manager, the Contractor is chargeable with unwarranted delay in final cleanup of punch list items or other Contract requirements;
2. Secures endorsement from the insurance carrier and consent of the Surety permitting occupancy of the building or use of the project during the remaining period of construction, or, secures consent of the Surety;
3. Assumes all costs and maintenance of heat, electricity and water; and
4. Accepts all work completed within that portion or unit of the project to be occupied, at time of occupancy.

**Q. Correction of Work.**

1. All work, all materials whether incorporated in the Work or not, and all processes of manufacture shall at all times and places be subject to the inspection of the Architect / Engineer and the Public Works Project Manager who shall be the judge of the quality and suitability of the work, materials, and processes of manufacture for the purposes for which they are used. Should they fail to meet the Architect / Engineer's and the Public Works Project Manager's approval they shall be reconstructed, made good, replaced or corrected, as the case may be, by the Contractor at the Contractor's expense. Rejected material shall immediately be removed from the site.
2. If the Contractor defaults or neglects to carry out the Work in accordance with the Construction Documents or fails to perform any provision of the Contract, the Department may, after ten (10) days written notice to the Contractor and without prejudice to any other remedy the County may have, make good such deficiencies. In such case, an appropriate Change Order shall be issued deducting from the payments then or thereafter due the Contractor the cost of correcting such deficiencies, including the cost of the Architect / Engineer's additional services made necessary by such default, neglect or failure.

## **6. GENERAL GUARANTEE**

- A. Neither the final certificate of payment nor any provision in the Construction Documents nor partial or entire occupancy of the premises by the County shall constitute an acceptance of work not done in accordance with the Construction Documents or relieve the Contractor of liability in respect to any expressed warranties or responsibility for faulty materials or workmanship.
  1. In no event shall the making of any payment required by the Contract constitute or be construed as a waiver by County of any breach of the covenants of the Contract or a waiver of any default of Contractor and the making of any such payment by County while any such default or breach shall exist shall in no way impair or prejudice the right of County with respect to recovery of damages or other remedy as a result of such breach or default.
- B. The Contractor shall remedy and make good all defective workmanship and materials and pay for any damage to other work resulting therefrom, which appear within a period of one year from the date of substantial completion, providing such defects are not clearly due to abuse or misuse by the County. The Department will give notice of observed defects with reasonable promptness.
- C. Guarantee on work executed after certified date of substantial completion will begin on the date when such work is inspected and approved by the Architect / Engineer and the Public Works Project Manager.
- D. Where guarantees or warranties are required in sections of Construction Documents for periods in excess of one year, such longer terms shall apply; however, the Contractor's Performance / Payment Bond shall not apply to any guarantee or warranty period in excess of one year.

## **7. IDENTICAL BIDDING**

- A. **Antitrust Laws.** All identical bids submitted to the County because of advertised procurement for materials, supplies, equipment or services exceeding \$1,000,000.00 in total amount shall be reported to the Attorney Generals of the United States and the State of Wisconsin for possible violation and enforcement of antitrust laws.

## 8. BINDING CONTRACTS

- A. **Contract Commitment.** Any contracts resulting from this bid shall be binding on a successful bidder(s) to its conclusion and on its assigns, heirs, executors, administrators or successors.

## 9. AFFIRMATIVE ACTION PROVISION AND MINORITY / WOMEN / DISADVANTAGED BUSINESS ENTERPRISES

- A. **Affirmative Action Provisions.** During the term of its Contract, Contractor agrees not to discriminate on the basis of race, religion, color, sex, handicap, age, sexual preference, marital status, physical appearance, or national origin against any person, whether a recipient of services (actual or potential), an employee, or an applicant for employment. Such equal opportunity shall include but not be limited to the following: employment, upgrading, demotion, transfer, recruitment, advertising, layoff, termination, training, rates of pay, and any other form of compensation or level of service(s). Contractor agrees to post in conspicuous places, available to all employees, service recipients and applicants for this paragraph. The listing of prohibited bases for discrimination shall no be construed to amend in any fashion state or federal law setting forth additional bases and exceptions shall be permitted only to the extent allowable in state or federal law.
- B. Contractor is subject to this paragraph only if Contractor has ten (10) or more employees and receives \$10,000.00 or more in annual aggregate contracts with County. Contractor shall file an Affirmative Action Plan with the Dane County Contract Compliance Officer in accord with Chapter 19 of the Dane County Code of Ordinances. Contractor must file such plan within fifteen (15) days of the effective date of this Contract and failure to do so by that date shall constitute grounds for immediate termination of the Contract. During the term of this Contract, Contractor shall also provide copies of all announcements of employment opportunities to the County's Contract Compliance Office, and shall report annually the number of persons, by race, sex and handicap status, which apply for employment and, similarly classified, the number hired and the number rejected.
- C. Contact the Dane County Contract Compliance Officer at Dane County Contract Compliance Office, 210 Martin Luther King, Jr. Blvd., Room 421, Madison, WI 53703, 608/266-4114.
- D. In all solicitations for employment placed on Contractor's behalf during the term of this Contract, Contractor shall include a statement to the effect the Contractor is an "Equal Opportunity Employer."
- E. Contractor agrees to furnish all information and reports required by County's Contract Compliance Officer as the same relate to affirmative action and nondiscrimination, which may include any books, records, or accounts deemed appropriate to determine compliance with Chapter 19, Dane County Code of Ordinances, and the provision of this Contract.
- F. **Minority / Women / Disadvantaged / Emerging Small Business Enterprises.** Chapter 19.508 of the Dane County Code of Ordinances is the official policy of Dane County to utilize Minority Business Enterprises (MBEs), Women Business Enterprises (WBEs), Disadvantage Business Enterprises (DBEs) and Emerging Small Business Enterprises (ESBEs) fully.
- G. The Contractor may utilize MBEs / WBEs / DBEs / ESBEs as subcontractors or suppliers. A list of subcontractors will be required of the low bidder as stated in this Contract. The list

shall indicate which subcontractors or suppliers are MBEs / WBEs / DBEs / ESBEs and what percentage of subcontract is awarded, shown as a percentage of the total dollar amount of the bid.

## **10. COMPLIANCE WITH FAIR LABOR STANDARDS**

- A. During term of this Contract, Contractor shall report to County Contract Compliance Officer, within ten (10) days, any allegations to, or findings by National Labor Relations Board (NLRB) or Wisconsin Employment Relations Commission (WERC) that Contractor has violated statute or regulation regarding labor standards or relations. If investigation by Contract Compliance Officer results in final determination that matter adversely affects Contractor's responsibilities under this Contract, and which recommends termination, suspension or cancellation of this Contract, County may take such action.
- B. Contractor may appeal any adverse finding by Contract Compliance Officer as set forth in Dane County Ordinance 25.015(11)(c) through (e).
- C. Contractor shall post this statement in prominent place visible to employees: "As condition of receiving and maintaining contract with Dane County, this employer shall comply with federal, state and all other applicable laws prohibiting retaliation or union organizing."

## **11. DOMESTIC PARTNERSHIP BENEFITS**

- A. Contractor agrees to provide same economic benefits to all of its employees with domestic partners as it does to employees with spouses, or cash equivalent if such benefit cannot reasonably be provided. Contractor agrees to make available for County inspection Contractor's payroll records relating to employees providing services on or under this Contract or subcontract. If any payroll records of Contractor contain any false, misleading or fraudulent information, or if Contractor fails to comply with provisions of Chapter 25.016, Dane County Ordinances, contract compliance officer may withhold payments on Contract; terminate, cancel or suspend Contract in whole or in part; or, after due process hearing, deny Contractor right to participate in bidding on future County contracts for period of one year after first violation is found and for period of three years after second or subsequent violation is found.

## **12. INSURANCE REQUIREMENTS**

- A. Contractor shall indemnify, hold harmless and defend Dane County, its boards, commissions, agencies, officers, employees and representatives from and against all claims, damages, losses and expenses including attorneys' fees arising out of or resulting from the performance of the Work, provided that any such claim, damage, loss or expense is attributable to bodily injury, sickness, disease or death, or to injury to or destruction of tangible property (other than the Work itself) including the loss of use resulting there from, and is caused in whole or in part by any act or omission of the Contractor, any subcontractor, anyone directly or indirectly employed by any of them or anyone for whose acts any of them may be liable, regardless of whether or not it is caused in part by a part indemnified hereunder.
- B. In any and all claims against Dane County, its boards, commissions, agencies, officers, employees and representatives or by any employee of the Contractor, any subcontractor, anyone directly or indirectly employed by any of them or anyone for whose acts any of them may be liable, the indemnification obligation under this Contract shall not be limited in any way by any limitation on the amount or type of damages, compensation or benefits payable



by or for the Contractor or any subcontractor under worker's compensation acts, disability benefits or other employee benefit acts.

- C. The obligations of the Contractor under this Contract shall not extend to the liability of the Architect / Engineer, its agents or employees arising out of (1) the preparation or approval of maps, drawings, opinion, reports, surveys, change orders, designs or specifications; or (2) the giving of or the failure to give directions or instruction by the Architect / Engineer, its agents or employees provided such giving or failure to give is the primary cause of the injury or damage.
- D. The County shall not be liable to the Contractor for damages or delays resulting from work by third parties or by injunctions or other restraining orders obtained by third parties.
- E. **Contractor Carried Insurance.** In order to protect itself and the County, the Contractor shall not commence work under this Contract until obtaining all the required insurance and the County has approved such insurance. The Contractor shall not allow any subcontractor to commence work on the subcontract until the insurance required of the subcontractor has been so obtained and approved.
  - 1. **Worker's Compensation Insurance**

The Contractor shall procure and shall maintain during the life of this Contract, Worker's Compensation Insurance as required by statute for all of its employees engaged in work at the site of the project under this Contract and, in case of such work sublet, the Contractor shall require the subcontractor similarly to provide Worker's Compensation Insurance for all of the latter's employees to be engaged in such work unless such employees are covered by the protection afforded by the Contractor's Worker's Compensation Insurance.
  - 2. **Contractor's Public Liability and Property Damage Insurance**

The Contractor shall procure and maintain during the life of this Contract, Contractor's Public Liability Insurance and Contractor's Property Damage Insurance in an amount not less than \$1,000,000.00 per occurrence for bodily injury and death, and Contractor's Property Damage Insurance in an amount not less than \$1,000,000.00 and shall be primary with Dane County as an "Additional Insured".
  - 3. **Auto Liability Insurance**

The Contractor shall procure and maintain during the life of this Contract, Comprehensive Automobile Liability Insurance covering owned, non-owned and hired automobiles for limits of not less than \$1,000,000.00 and shall be primary with Dane County as an "Additional Insured".
- F. Contractor either (1) shall require each subcontractors to procure and to maintain during life of subcontract, subcontractor's Public Liability Property Damage Insurance, and Comprehensive Automobile Liability Insurance of type and in same amount specified in preceding paragraphs; or (2) insure that activities of subcontractors in their own policy.
- G. Contractor shall furnish the County with certificates showing type, amount, class of operations covered, effective dates and dates of expiration of policies. Such certificates shall also contain substantially this statement: "Insurance covered by this certificate will not be canceled or materially altered, except after ten (10) days written notice has been received by the County."

## **SUPPLEMENTARY CONDITIONS**

### **1. CONTRACTOR WAGE AFFIDAVIT**

- A. Every contractor engaged in performance of any contract for Department of Public Works, Highway & Transportation shall submit to this Department, as requested and with final application for payment for work under said contract, affidavit in form as hereinafter set forth in this section. Affidavit affirms that all persons employed by contractor or by any of contractor's subcontractors on such contract have been paid no less than minimum wages established under Dane County Ordinances, Chapter 40, Subchapter II (Minimum Wage Ordinance) and in effect at date of execution of contract, that full payment of wages earned has been made, and that no rebates either directly or indirectly have been made. Form of such affidavit is included in this section.
- B. Form should be included with a copy of the final contract invoice forwarded to your contract representative at Dane County.



SECTION 01000  
BASIC REQUIREMENTS

PART 1 GENERAL

1.1 SECTION SUMMARY

- A. Section Includes:
1. Section Summary
  2. Summary of the Work
  3. Contractor Use of Premises
  4. Applications for Payment
  5. Alternates
  6. Coordination
  7. Cutting and Patching
  8. Conferences
  9. Submittal Procedures
  10. Proposed Products List
  11. Shop Drawings
  12. Product Data
  13. Manufacturers' Instructions
  14. Manufacturers' Certificates
  15. Quality Assurance / Quality Control of Installation
  16. References
  17. Interior Enclosures
  18. Protection of Installed Work
  19. Parking
  20. Staging Areas
  21. Occupancy During Construction and Conduct of Work
  22. Protection
  23. Progress Cleaning
  24. Products
  25. Transportation, Handling, Storage and Protection
  26. Product Options and Substitutions
  27. Contract Closeout Procedures
  28. Final Cleaning
  29. Record Drawings

1.2 SUMMARY OF THE WORK

- A. Project Description: Provide all walls and roof with polyurethane spray foamed-in-place insulation for the existing Highway Storage Facility.

1.3 CONTRACTOR USE OF PREMISES

- A. Limit use of premises to allow work by others and work by Owner.

1.4 APPLICATIONS FOR PAYMENT

- A. Submit two (2) copies of each application on AIA G702™ and G703™ forms or approved contractors invoice form.
- B. Content and Format: Utilize Schedule of Values for listing items in Application for Payment.
- C. Payment Period: Bi-weekly or monthly.

1.5 ALTERNATES

- A. None

1.6 COORDINATION

- A. Coordinate scheduling, submittals, and work of various sections of Specifications to assure efficient and orderly sequence of installation of interdependent construction elements.
- B. Coordinate space requirements and installation of insulation with existing mechanical and electrical components.

1.7 CUTTING AND PATCHING

- A. Employ a skilled and experienced installer to perform cutting and patching new work; restore work with new Products.
- B. Submit written request in advance of cutting or altering structural or building enclosure elements.
- C. Fit work tight to adjacent elements. Maintain integrity of wall, ceiling, or floor construction; completely seal voids.
- D. Refinish surfaces to match adjacent finishes.

## 1.8 CONFERENCES

- A. Dane County Department Public Works, Highway & Transportation will schedule a preconstruction conference after Award of Contract for all affected parties.

## 1.9 SUBMITTAL PROCEDURES

- A. Submittal form to identify Project, Contractor, Subcontractor or supplier; and pertinent Construction Documents references.
- B. Apply Contractor's stamp, signed or initialed, certifying that review, verification of Products required, field dimensions, adjacent construction work, and coordination of information is in accordance with requirements of the Work and Construction Documents.
- C. Identify variations from Construction Documents and Product or system limitations that may be detrimental to successful performance of completing the Work.
- D. Revise and resubmit submittals as required; identify all changes made since previous submittal.

## 1.10 PROPOSED PRODUCTS LIST

- A. Within seven (7) days after date of Award of Contract, submit complete list of major Products proposed for use, with name of manufacturer, trade name, and model number of each Product.

## 1.11 SHOP DRAWINGS

- A. Not applicable

## 1.12 PRODUCT DATA

- A. Submit number of copies that Contractor requires, plus two (2) copies that shall be retained by Public Works Project Engineer.
- B. Mark each copy to identify applicable products, models, options, and other data. Supplement manufacturer's standard data to provide information unique to this Project.

## 1.13 MANUFACTURERS' INSTRUCTIONS

- A. When specified in individual Specification sections, submit manufacturers' printed instructions for delivery, storage, assembly, installation, start-up, adjusting, and finishing, in quantities specified for Product Data.

## 1.14 MANUFACTURERS' CERTIFICATES

- A. When specified in individual Specification sections, submit manufacturers' certificate to Public Works Project Engineer for review, in quantities specified for Product Data.

- B. Indicate material or Product conforms to or exceeds specified requirements. Submit supporting reference data, affidavits, and certifications as appropriate.

#### 1.15 QUALITY ASSURANCE / QUALITY CONTROL OF INSTALLATION

- A. Monitor quality control over suppliers, manufacturers, Products, services, site conditions, and workmanship, to produce work of specified quality.
- B. Comply fully with manufacturers' instructions.
- C. Comply with specified standards as minimum quality for the Work except when more stringent tolerances, codes, or specified requirements indicate higher standards or more precise workmanship.

#### 1.16 REFERENCES

- A. Conform to reference standard by date of issue current as of date for receiving bids.
- B. Should specified reference standard conflict with Construction Documents, request clarification from Public Works Project Engineer before proceeding.

#### 1.17 INTERIOR ENCLOSURES

- A. Provide temporary partitions as required to prevent damage to existing materials and equipment.

#### 1.18 PROTECTION OF INSTALLED WORK

- A. Protect installed work and equipment and provide special protection where specified in individual Specification sections.

#### 1.19 PARKING

- A. Parking shall be available at the Work site.

#### 1.20 STAGING AREAS

- A. Coordinate staging areas with Public Works Project Manager prior to starting the Work.
- B. Space for use as staging areas and storage of materials is available on-site. Each Contractor shall be responsible for safety of equipment and materials that are stored on site.

#### 1.21 OCCUPANCY DURING CONSTRUCTION AND CONDUCT OF WORK

- A. Owner will be occupying and using this building during installation of the Work for this project. Owner shall remove all items that are not attached to the structure from half of the building and move those items to the other half of the building. Contractor shall install temporary partitions and Work only in the half of the building that has been

cleared out. Once Contractor has finished Work in the first half of the building, Owner will move all items that are not attached to the building structure into the newly insulated half of the building. Contractor shall then install insulation in the second half of the building.

- B. Work may be done during normal business hours (7:00 am to 3:00 pm), but confer with Owner, schedule work, and store materials so as to interfere as little as possible with normal use of premises.
- C. Work must be completed before November 21, 2014 to minimize interference with normal business operations and snow plowing operations.
- D. Contractor shall, at all times, provide approved, safe walkways and facility entrances for use by Owner, employees and public.
- E. Contractor shall provide adequate protection for all parts of facility, its contents and occupants wherever the Work under this contract is to be performed.
- F. Contractor shall arrange with Owner to make necessary alterations, do new work, make connections to all utilities, etc., at such times as will not cause interruption of utility services to facility. Contractor doing this work shall protect, cap, cut off and / or replace and relocate existing pipes, electrical work and other active utilities encountered which may interfere with new construction work.
- G. New work in extension of existing work shall correspond in all respects with that to which it connects or similar existing work unless otherwise indicated or specified.
  - 1. Existing work shall be cut, altered, removed or replaced as necessary for performance of contract obligations.
  - 2. Work remaining in place, damaged or defaced by reason of work done under this contract shall be restored equal to its condition at time of Award of Contract.

#### 1.22 PROTECTION

- A. Contractor shall protect from injury all trees, shrubs, hedges, walks and driveways and pay for any damage to same resulting from insufficient or improper protection.

#### 1.23 PROGRESS CLEANING

- A. Maintain areas free of waste materials, debris, and rubbish. Maintain site in clean and orderly condition.

#### 1.24 PRODUCTS

- A. Products: Means new material, machinery, components, equipment, fixtures, and systems forming the Work, but does not include machinery and equipment used for preparation, fabrication, conveying and erection of the Work. Products may also include existing materials or components specifically identified for reuse.



- B. Do not use materials and equipment removed from existing premises, except as specifically identified or allowed by Construction Documents.

#### 1.25 TRANSPORTATION, HANDLING, STORAGE AND PROTECTION

- A. Transport, handle, store and protect Products in accordance with manufacturer's instructions.

#### 1.26 PRODUCT OPTIONS & SUBSTITUTIONS

- A. Where definite material is specified, it is not the intention to discriminate against "equal" product made by another manufacturer. Intention is to set definite standard of material quality. Should bidder choose to bid materials other than those specified, bidder shall submit said materials specifications to Public Works Engineer for approval at least five (5) days prior to Bid Opening.
- B. Products and materials that are not specified, but have been approved for use by Public Works Project Engineer shall be identified in addenda to all bidding contractors.
- C. Requests for material or product substitutions submitted after Bid Opening may be considered up to seven (7) days after acceptance of lowest responsible bidder. Public Works Engineer reserves right to approve or reject substitutions based on Specification requirements and intended use.
- D. Document each request with complete data substantiating compliance of proposed Substitution with Construction Documents.
- E. Substitutions shall not change contract price established at Bid Opening.

#### 1.27 CONTRACT CLOSEOUT PROCEDURES

- A. Submit written certification that Construction Documents have been reviewed, the Work has been inspected, and the Work is complete in accordance with Construction Documents and ready for Public Works Project Engineer's inspection.
- B. Submit final Application for Payment identifying total adjusted Contract Sum / Price, previous payments, and amount remaining due.

#### 1.28 FINAL CLEANING

- A. Execute final cleaning prior to final inspection.
- B. Clean interior and exterior surfaces exposed to view.
- C. Remove waste and surplus materials, rubbish, and construction facilities from site.

#### 1.29 RECORD DRAWINGS

- A. Not applicable.

## SECTION 01508

### RECYCLING

#### PART 1 GENERAL

##### 1.1 SUMMARY

- A. Section Includes:
  - 1. Waste Management Goals
  - 2. Waste Management Plan
  - 3. Reuse
  - 4. Recycling
  - 5. Materials Sorting and Storage On Site
  - 6. Lists of Recycling Facilities Processors and Haulers
  - 7. Waste Management Plan Form

##### 1.2 WASTE MANAGEMENT GOALS

- A. Dane County requires that as many waste materials as possible produced as result of this project be salvaged, reused or recycled in order to minimize impact of construction waste on landfills and to minimize expenditure of energy and cost in fabricating new materials. Additional information may be found in The Dane County Green Building Policy, Resolution 299, 1999-2000.
- B. Contractor shall develop, with assistance of Public Works Project Engineer and Architect / Engineer, Waste Management Plan (WMP) for this project. Outlined in RECYCLING section of this specification are examples of materials that can be recycled or reused as well as recommendations for waste sorting methods.

##### 1.3 WASTE MANAGEMENT PLAN

- A. Contractor shall complete WMP and include cost of recycling / reuse in Bid. WMP will be submitted to Public Works Project Engineer within fifteen (15) days of Notice to Proceed date. Copy of blank WMP form is in this Section. Submittal shall include cover letter and WMP form with:
  - 1. Information on:
    - a. Types of waste materials produced as result of work performed on site;
    - b. Estimated quantities of waste produced;
    - c. Identification of materials with potential to be recycled or reused;
    - d. How materials will be recycled or reused;
    - e. On-site storage and separation requirements (on site containers);
    - f. Transportation methods; and
    - g. Destinations.

#### 1.4 REUSE

- A. Contractors and subcontractors are encouraged to reuse as many waste materials as possible. Salvage should be investigated for materials not reusable on site.

#### 1.5 RECYCLING

- A. These materials can be recycled in Dane County area:
  1. Wood.
  2. Wood Pallets.
  3. Fluorescent Lamps.
  4. Foam Insulation & Packaging (extruded and expanded).
  5. PVC Plastic (pipe, siding, etc.).
  6. Asphalt & Concrete.
  7. Bricks & Masonry
  8. Corrugated Cardboard.
  9. Metal.
  10. Carpet Padding.
  11. Gypsum Drywall.
  12. Shingles.
  13. Barrels & Drums.
  14. Solvents.

#### 1.6 MATERIALS SORTING AND STORAGE ON SITE

- A. Contractor shall provide separate containers for recyclable materials. Number of containers will be dependent upon project and site conditions.
- B. Contractor shall provide on-site locations for subcontractors supplied recycling containers to help facilitate recycling.

#### 1.7 LISTS OF RECYCLING FACILITIES PROCESSORS AND HAULERS

- A. Web site [www.countyofdane.com](http://www.countyofdane.com) has recycling symbol (link) near top of page that lists current information for Dane County Recycling Markets. Contractors can also contact Dane County's Recycling Manager at 608/267-8815, or local city, village, town recycling staff listed in above referenced web site. Statewide listings of recycling / reuse markets at available from Wisconsin Department of Natural Resources, [www.dnr.state.wi.us/org/aw/wm/markets](http://www.dnr.state.wi.us/org/aw/wm/markets).

1.8 WASTE MANAGEMENT PLAN FORM

A. Contractor Information:

Name: \_\_\_\_\_

Address: \_\_\_\_\_

Phone No.: \_\_\_\_\_ Recycling Coordinator: \_\_\_\_\_

MATERIAL	ESTIMATED QUANTITY	DISPOSAL METHOD (CHECK ONE)		RECYCLING / REUSE COMPANY OR DISPOSAL SITE
Salvaged & reused building materials	_____ cu. yds. _____ tons	_____ Recycled	_____ Reused	Name: _____
		_____ Landfilled	_____ Other	
Glass	_____ cu. yds. _____ tons	_____ Recycled	_____ Reused	Name: _____
		_____ Landfilled	_____ Other	
Wood	_____ cu. yds. _____ tons	_____ Recycled	_____ Reused	Name: _____
		_____ Landfilled	_____ Other	
Wood Pallets	_____ units	_____ Recycled	_____ Reused	Name: _____
		_____ Landfilled	_____ Other	
Fluorescent Lamps	_____ cu. ft. _____ lbs.	_____ Recycled	_____ Reused	Name: _____
		_____ Landfilled	_____ Other	
Foam Insulation	_____ cu. ft. _____ lbs.	_____ Recycled	_____ Reused	Name: _____
		_____ Landfilled	_____ Other	
Asphalt & Concrete	_____ cu. ft. _____ lbs.	_____ Recycled	_____ Reused	Name: _____
		_____ Landfilled	_____ Other	
Bricks & Masonry	_____ cu. ft. _____ lbs.	_____ Recycled	_____ Reused	Name: _____
		_____ Landfilled	_____ Other	
PVC Plastic	_____ cu. ft. _____ lbs.	_____ Recycled	_____ Reused	Name: _____
		_____ Landfilled	_____ Other	
Corrugated Cardboard	_____ cu. ft. _____ lbs.	_____ Recycled	_____ Reused	Name: _____
		_____ Landfilled	_____ Other	
Metals	_____ cu. yds. _____ tons	_____ Recycled	_____ Reused	Name: _____
		_____ Landfilled	_____ Other	
Carpet Padding	_____ cu. ft. _____ lbs.	_____ Recycled	_____ Reused	Name: _____
		_____ Landfilled	_____ Other	
Gypsum / Drywall	_____ cu. yds. _____ tons	_____ Recycled	_____ Reused	Name: _____
		_____ Landfilled	_____ Other	

Shingles	_____ cu. yds. _____ tons	_____ Recycled _____ Landfilled	_____ Reused _____ Other	Name: _____
Barrels & Drums	_____ units	_____ Recycled _____ Landfilled	_____ Reused _____ Other	Name: _____
Solvents	_____ gallons	_____ Recycled _____ Landfilled	_____ Reused _____ Other	Name: _____
Other	_____	_____ Recycled _____ Landfilled	_____ Reused _____ Other	Name: _____
Other	_____	_____ Recycled _____ Landfilled	_____ Reused _____ Other	Name: _____
Other	_____	_____ Recycled _____ Landfilled	_____ Reused _____ Other	Name: _____
Other	_____	_____ Recycled _____ Landfilled	_____ Reused _____ Other	Name: _____
Other	_____	_____ Recycled _____ Landfilled	_____ Reused _____ Other	Name: _____

PART 2 PRODUCTS

Not Used.

PART 3 EXECUTION

Not Used.

END OF SECTION

## SECTION 07214

### FOAMED-IN-PLACE INSULATION

#### PART 1 GENERAL

##### 1.1 SUMMARY

- A. Section includes polyurethane spray foamed-in-place insulation in exterior wall, roof, and ceiling construction.

##### 1.2 REFERENCES

- A. ASTM International:
  - 1. ASTM C177 - Standard Test Method for Steady-State Heat Flux Measurements and Thermal Transmission Properties by Means of the Guarded-Hot-Plate Apparatus.
  - 2. ASTM C1029 - Standard Specification for Spray-Applied Rigid Cellular Polyurethane Thermal Insulation.
  - 3. ASTM D1621 - Standard Test Method for Compressive Properties of Rigid Cellular Plastics.
  - 4. ASTM D1622 - Standard Test Method for Apparent Density of Rigid Cellular Plastics.
  - 5. ASTM E84 - Standard Test Method for Surface Burning Characteristics of Building Materials.
- B. National Fire Protection Association:
  - 1. NFPA 255 - Standard Method of Test of Surface Burning Characteristics of Building Materials.
- C. Underwriters Laboratories Inc.:
  - 1. UL 723 - Tests for Surface Burning Characteristics of Building Materials.

##### 1.3 DESIGN REQUIREMENTS

- A. Provide minimum two (2) pound closed cell polyurethane spray foamed-in-place insulation in existing Wall System and Roof System.

##### 1.4 PERFORMANCE REQUIREMENTS

- A. Cooperate with regulatory agency or authority and provide data as requested by authority having jurisdiction.
- B. Provide components of each type from one manufacturer compatible with adjacent materials.

## 1.5 SUBMITTALS

- A. Product Data: Submit product description, insulation properties, preparation requirements, and overcoat properties.
- B. Manufacturer's Installation Instructions: Submit special procedures, and perimeter conditions requiring special attention.

## 1.6 CLOSEOUT SUBMITTALS

- A. Project Record Documents: Record actual locations of concealed components and utilities. Indicate any changes to construction on as-built drawings.

## 1.7 QUALITY ASSURANCE

- A. Insulation Installed in Concealed Locations Surface Burning Characteristics:
  - 1. Foam Plastic Insulation: Maximum 75/450 flame spread/smoke developed index when tested in accordance with ASTM E84, NFPA 255, or UL 723.
- B. Insulation Installed in All Areas
  - 1. Thermal Barrier Overcoat:
    - a. Thermal barrier material that will limit the average temperature rise of the underlying polyurethane surface to no more than 250°F (139°C) after 15 minutes of fire exposure complying with the ASTM E 119 or UL 263 standard time temperature curve. The thermal barrier shall be installed in such a manner that it will remain in place for 15 minutes based on NFPA 286 with the acceptance criteria of Section R302.9.4, FM 4880, UL 1040 or UL 1715.
    - b. Maximum 75/450 flame spread/smoke developed index when tested in accordance with ASTM E84.

## 1.8 QUALIFICATIONS

- A. Manufacturer: Company specializing in manufacturing products specified in this section with minimum three years documented experience.
- B. Installer: Company specializing in performing Work of this section with minimum three years documented experience approved by manufacturer.

## 1.9 PRE-INSTALLATION MEETINGS

- A. Convene minimum one week prior to commencing work of this section.

## PART 2 PRODUCTS

### 2.1 FOAMED-IN-PLACE INSULATION

- A. Insulation: Closed cell polyurethane spray-in-place foam insulation
  - 1. Thermal Conductivity: Minimum thermal resistance R-Value of 6 per inch of insulation, in accordance with ASTM C177.
  - 2. Density: ASTM D1622; Minimum 2 lb/cu ft.
- B. Manufacturers:
  - 1. American Sprayed Fibers
  - 2. Insta-Foam Products
  - 3. Insulation Corporation of America Model.
  - 4. Substitutions: As approved by Public Works Engineer.

### 2.2 ACCESSORIES

- A. Primer: As required by insulation manufacturer.
- B. Fire/Thermal Barrier: Spray applied 15-minute thermal barrier; Approved Products:
  - 1. Monokote® (spray coating) by W.R. Grace Company
  - 2. Zonolite® (spray coating)
  - 3. Stayflex" (spray coating) by Preferred Solutions, Inc.
  - 4. K-13" (spray coating) by National Cellulose Company
  - 5. Substitutions: As approved by Public Works Engineer.

## PART 3 EXECUTION

### 3.1 EXAMINATION

- A. Verify surfaces are clean, dry, and free of matter capable of inhibiting insulation or overcoat adhesion.

### 3.2 PREPARATION

- A. Mask and protect adjacent surfaces from over spray or dusting.
- B. Patch damaged areas of the roof and wall panels and seal holes prior to installation of the insulation.
- C. Power wash all walls, the roof, and all other surfaces that the insulation come into contact with to ensure the insulation properly adheres. Power washing shall be done to completely remove the existing insulation and any other materials that are capable of inhibiting insulation or overcoat adhesion.



### 3.3 INSTALLATION

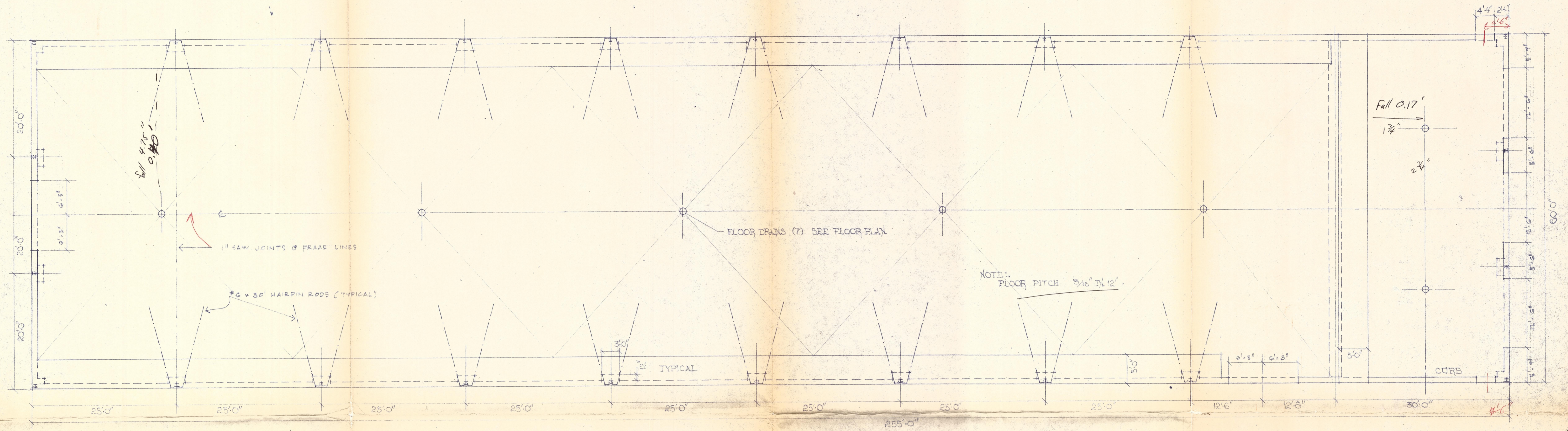
- A. Base Bid #1 - : Minimum 2 pound polyurethane spray foam insulation with a minimum thickness of 1”
- B. Base Bid #2: Minimum 2 pound polyurethane spray foam insulation with a minimum thickness of 2.5”
- C. Install in accordance with manufacturer's instructions, including instructions regarding exterior temperature and temperature of the subsurface materials receiving the insulation. Owner shall provide heat to interior spaces.
- D. Apply insulation by spray method, to uniform monolithic density without voids.
- E. Apply thermal barrier overcoat monolithically, without voids to fully cover foam insulation to achieve fire rating.
- F. Owner will be occupying and using this building during installation of the Work for this project. Owner shall remove all items that are not attached to the structure from half of the building and move those items to the other half of the building. Contractor shall install temporary partitions and Work only in the half of the building that has been cleared out. Once Contractor has finished Work in the first half of the building, Owner will move all items that are not attached to the building structure into the newly insulated half of the building. Contractor shall then install insulation in the second half of the building.
- G. Install Work in accordance with State of Wisconsin and City of Madison of standards and codes.

### 3.4 PROTECTION OF INSTALLED CONSTRUCTION

- A. Do not permit subsequent construction Work to disturb applied insulation.

END OF SECTION

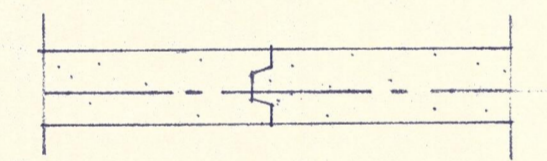
# Bidders responsible for verifying existing conditions



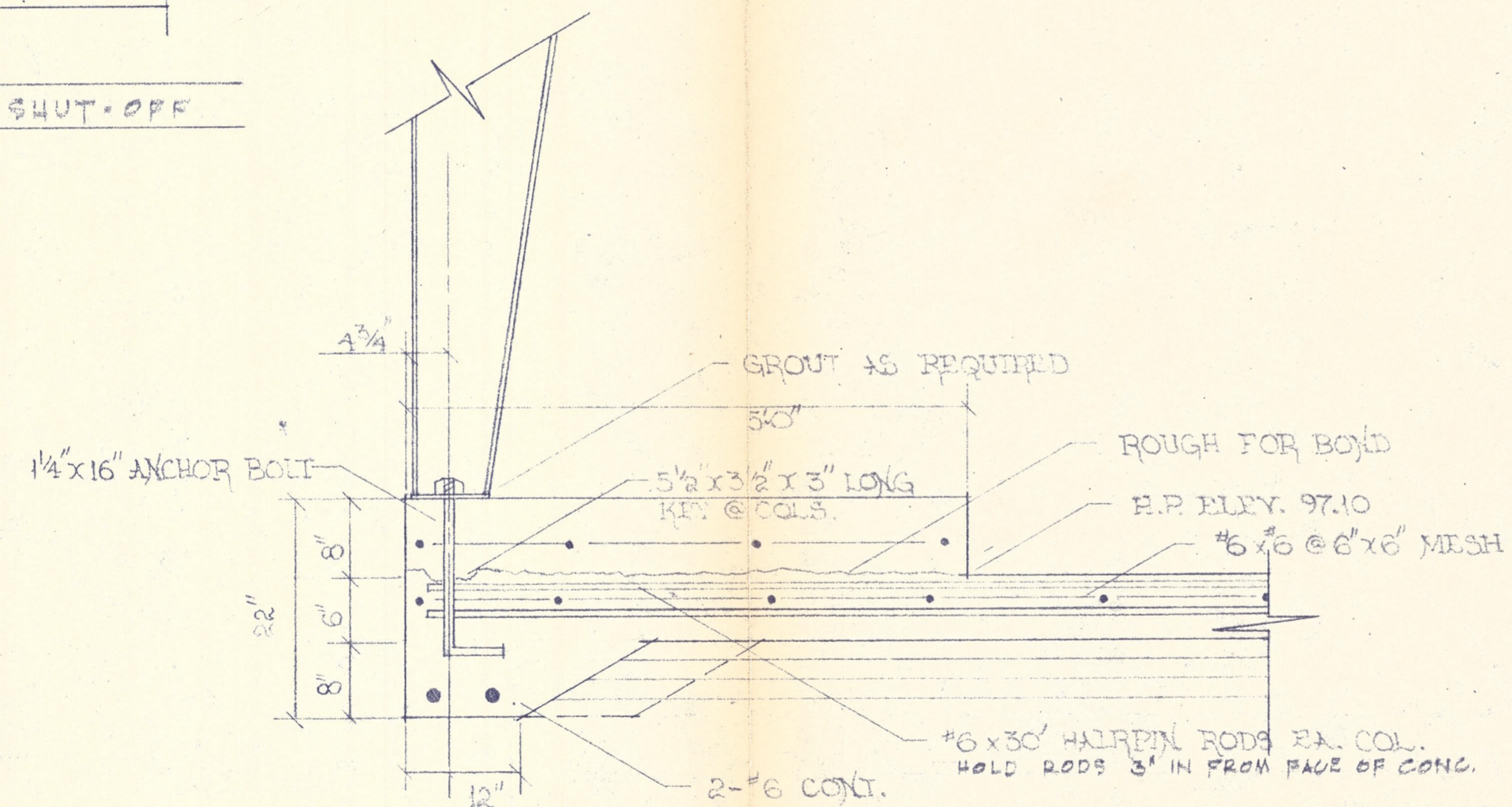
NOTE: REACTION @ INTERIOR FRAMES @ FOUND.  
 DL + LL VERT. 28 1/2 KIPS  
 HORIZ. 14 8 KIPS  
 DL + LL + WL VERT. 28 KIPS  
 HORIZ. 15 KIPS

## FOUNDATION PLAN

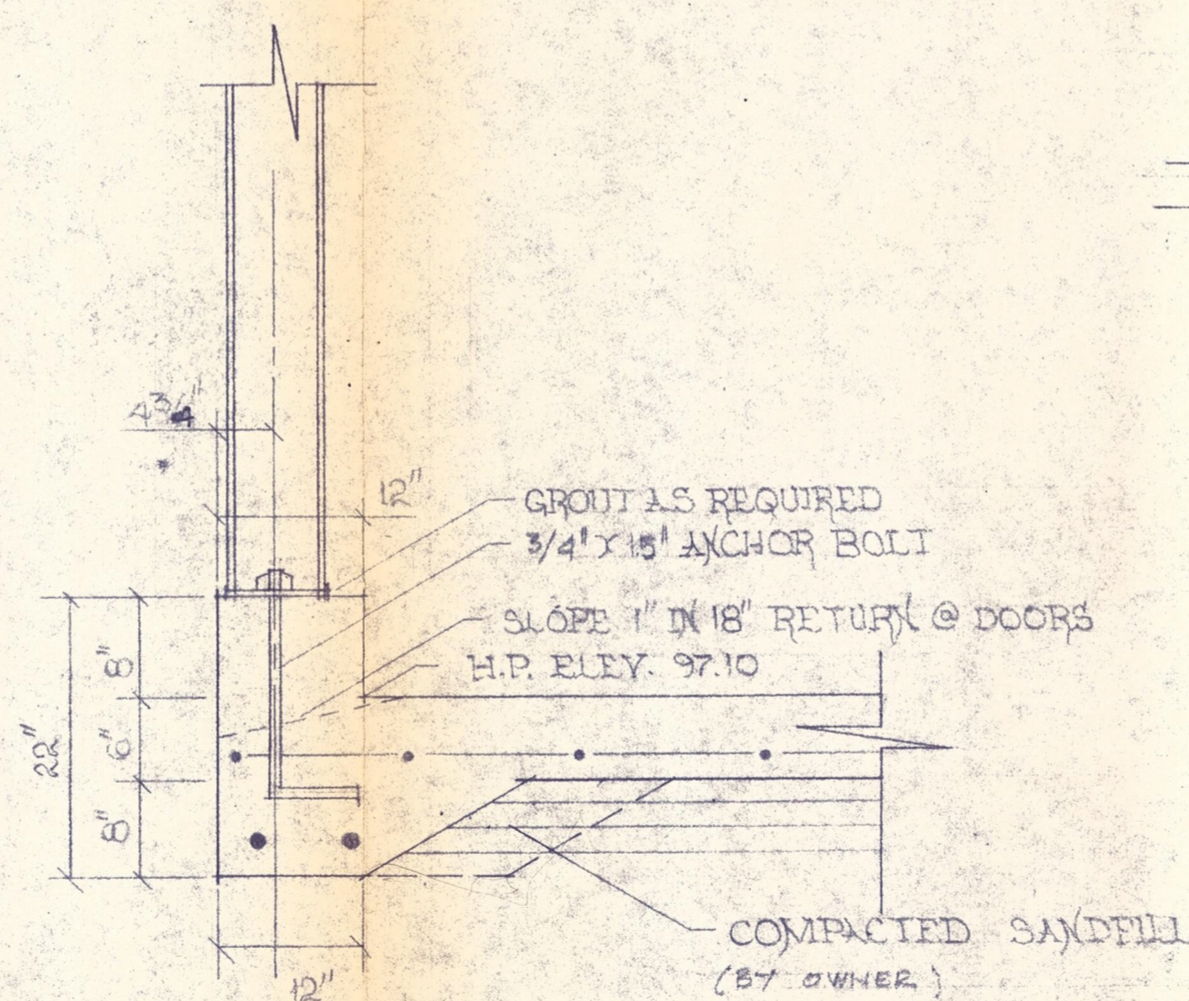
1/8" = 1'-0"



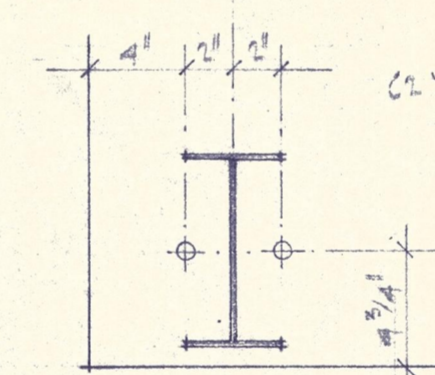
KEYWAY @ CONG. SHUT-OFF



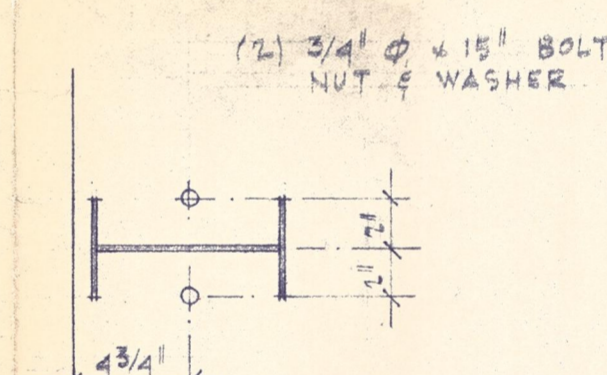
SECTION AT WALK 3/4" = 1'-0"



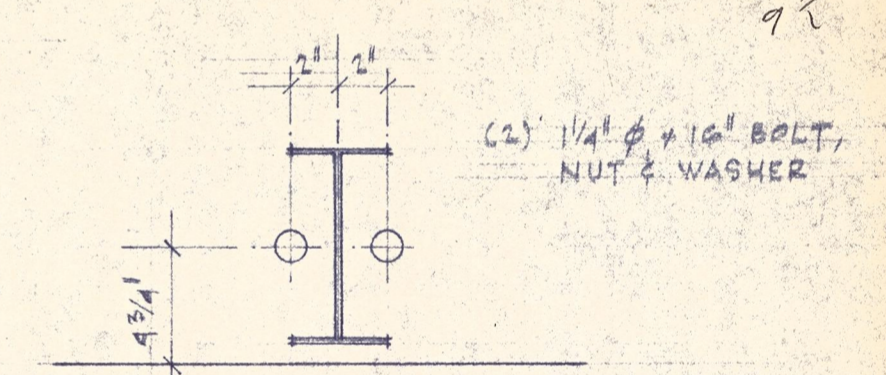
SECTION AT CURB 3/4" = 1'-0"



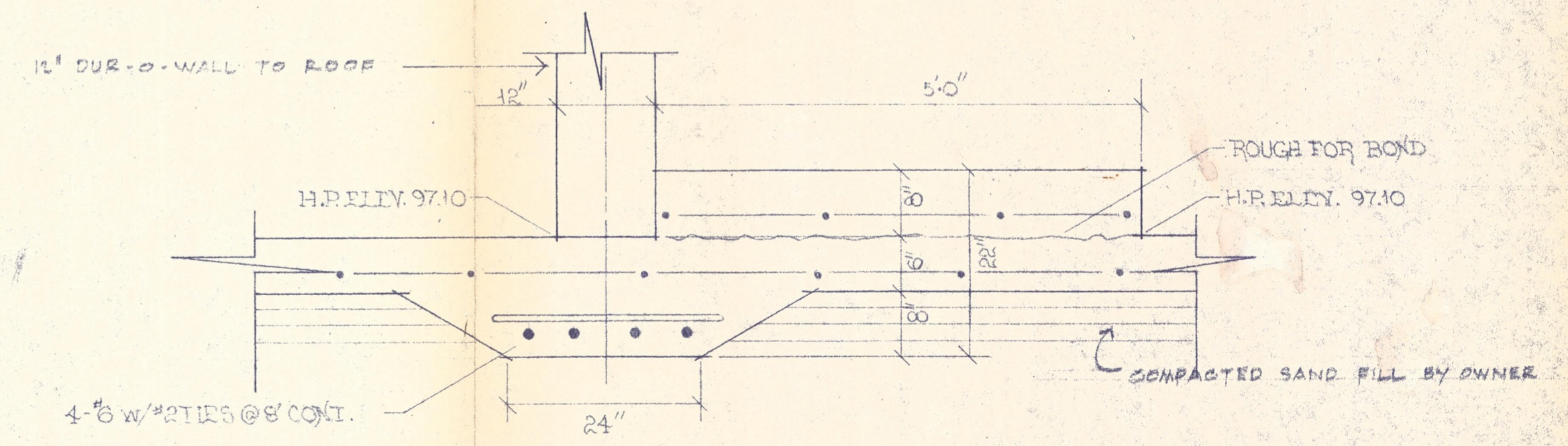
CORNER COLUMN



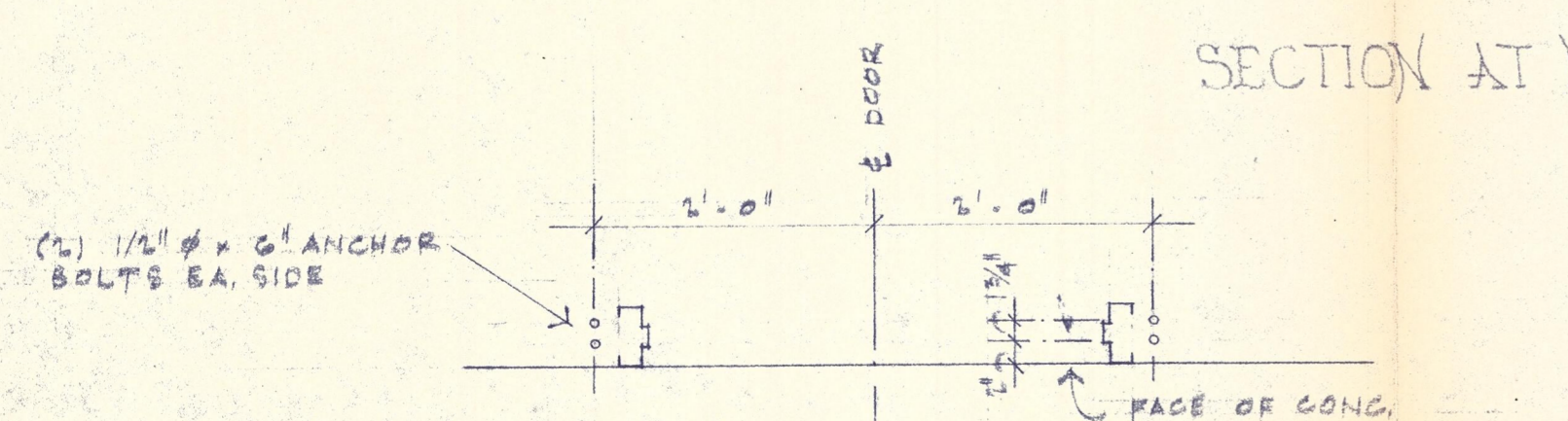
ENDWALL COLUMN



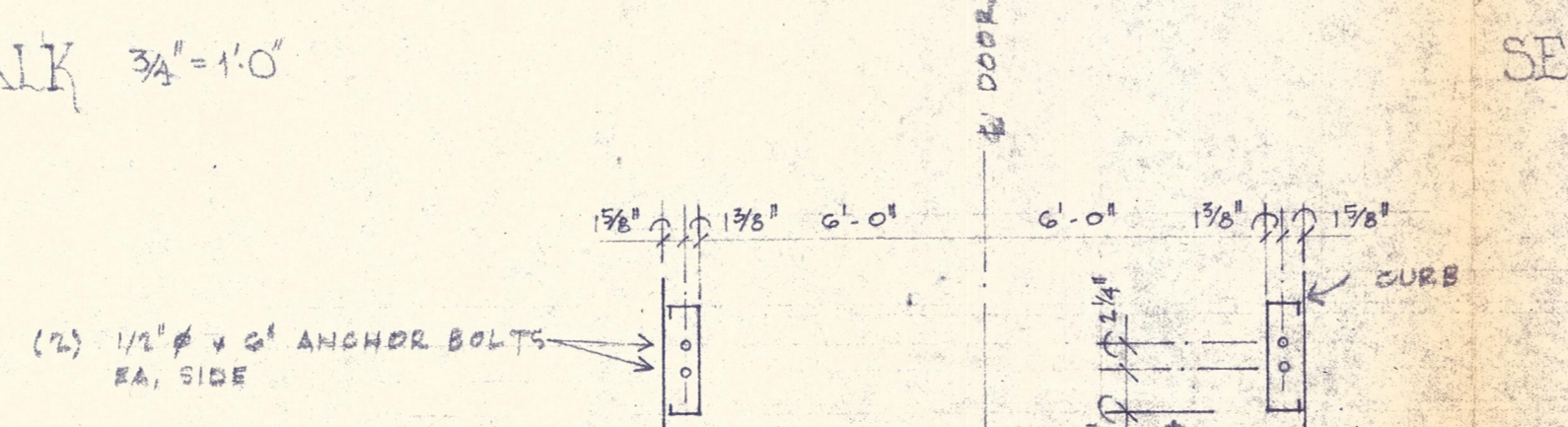
INTERIOR COLUMN



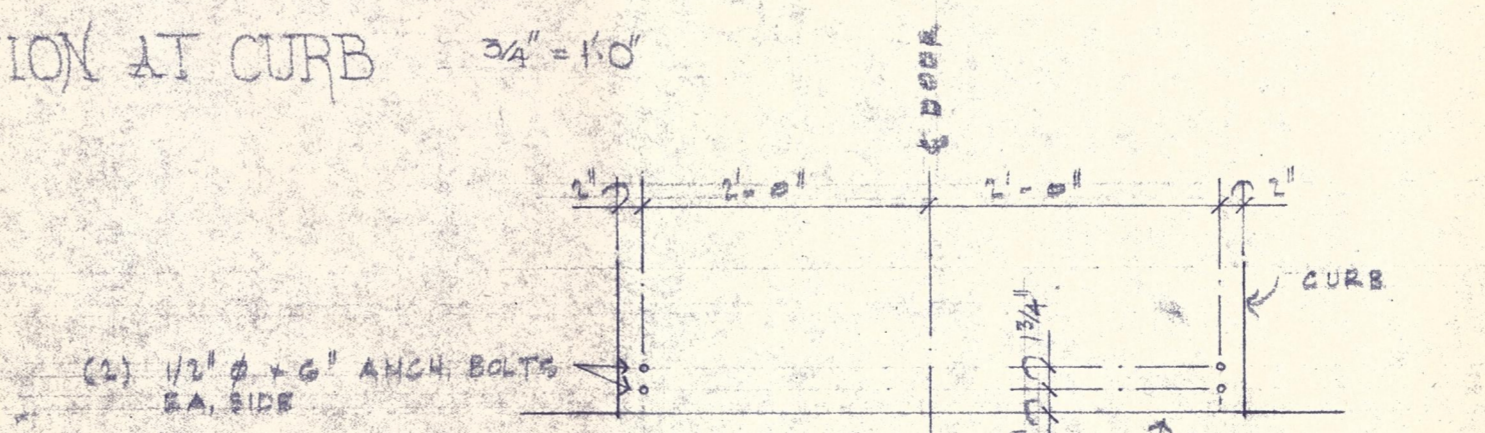
SECTION AT FIRE WALL 3/4" = 1'-0"



SERVICE DOOR ANCHOR BOLT PLAN @ TOP OF WALK



O.H. DOOR ANCHOR BOLT & CURB CUT DETAIL



SERVICE DOOR ANCHOR BOLT & CURB CUT DETAIL

DANE COUNTY GARAGE

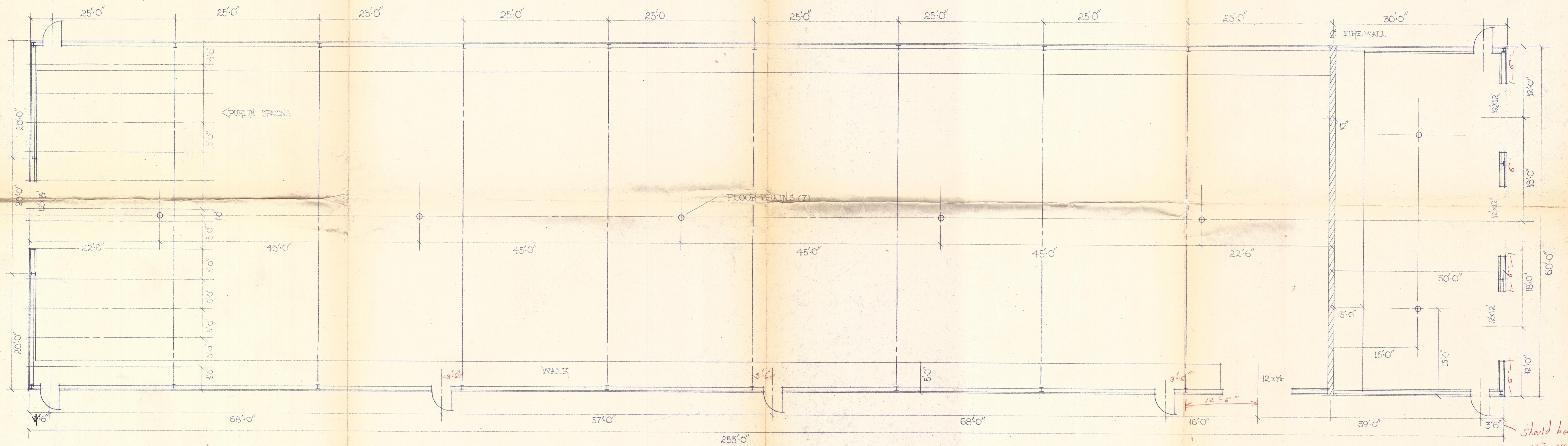
ADVANCE BUILDING SYSTEMS INC.

6909 RAYWOOD RD. MADISON, WISCONSIN 53713 TEL. (608) 222-3444

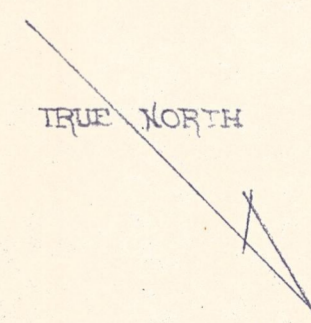
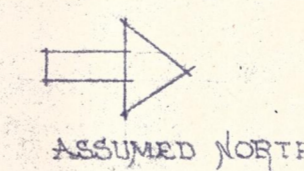
3'-4"  
1'-8"  
2'-4"  
4'

NOTE: ALL DOORS 3'4" x 7' (7)  
END WALL COL. 10B15

NOTE: FLOOR PITCH 3/8" IN 12'



FLOOR PLAN 1/8" = 1'-0"



Should be  
4'-6"  
GGB-7-15-71

Highway

Bidders responsible for verifying existing conditions

ADVANCE BUILDING SYSTEMS INC.			2
6909 RAYWOOD RD. MADISON, WISCONSIN 53713		TEL. (608) 222-3444	